



LED LAMPS

ProLED **Linear T8 Direct Series**



Easy To Install



50,000 Hours



Direct Ballast
Compatible

RECOGNIZED
COMPONENT



Intertek
4005203

CONFORMS TO NSF-310.2
Food Equipment
Certification



DLC Qualified

Operates on most instant start
electronic ballasts, making LED
lighting retrofit easier than ever



No Re-Wiring Necessary

Instant On - No Flicker

Backed by a 5-Year Warranty

Applications:

- Office
- Education
- Food Service
- High Bay Luminaires
- Hospitality
- Medical
- Retail

Markets:

- Commercial
- Industrial



Contact Your Customer Care Specialist
For Pricing, Orders And Technical Support.

800.677.3334 **www.halcolighting.com**

ProLED[®]

Linear T8 Direct Series

Product #: _____ Type: _____

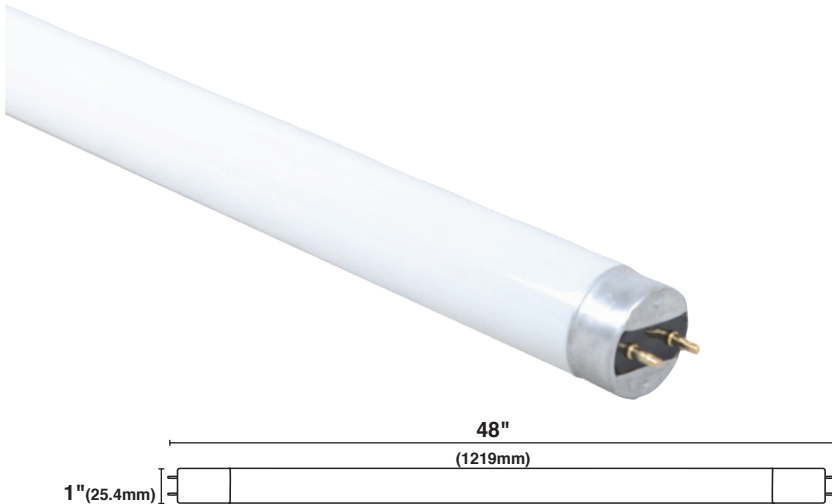
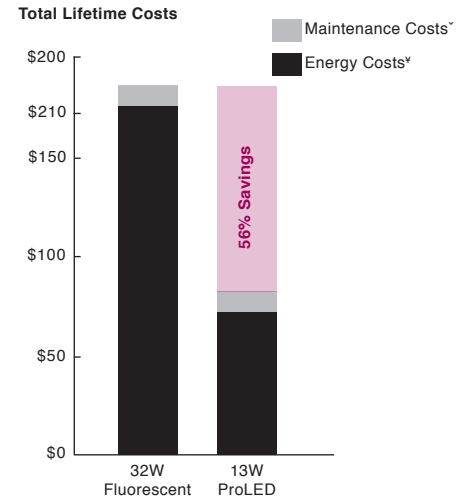
Project: _____ Date: _____

Comments: _____ Initials: _____

Specifications

- Operates on instant start, programmed start, emergency, and dimming ballasts
- 50,000 hour life resulting in lower maintenance costs over time
- Uses 48% less energy and lasts up to 73% longer resulting in lower costs for the end user¹
- Suitable for use in totally enclosed luminaires
- Conforms to requirements of NSF/ANSI standard 2-food equipment
- UL listed for damp locations
- DLC Qualified
- Frosted glass design ensures high quality and performance - no yellowing or bending over time
- Plug and Play - no modifying or re-wiring of the fixture required

Savings Comparison



Ordering Information

	Lamp Wattage	System Wattage [§]	Base	Product #	Product Code	Color Temp.	CRI	Lumens	Useful Life*	Dimmable	Beam Spread	Pkg. Qty.	MOL	THD	Equivalent Wattage
⊕	13	16	G13	89000	T8FR13/840/DIR3/LED10PK	4000K	82	1900	50,000	Yes	270°	25	48"	<20%	32
⊕	13	16	G13	89001	T8FR13/850/DIR3/LED10PK	5000K	82	2000	50,000	Yes	270°	25	48"	<20%	32

For full listing of ballast compatibility see halcolighting.com

NEW ITEM

* Useful Life is defined as the point in time at which the lamp will maintain at least 70% of its initial lumens. The lamp will continue to burn past this point, but at decreased light levels.

Warranty – Commercial / Industrial: This product is warranted for 5 years from the date of purchase.

Must be operated with an ambient fixture temperature between -4°F(-20°C) and 122°F(50°C).

§ Specifications are based on use with normal ballast factor ballasts (0.88).

¹ Energy savings based on \$0.11 kWh over a 50,000 hour life.

** Check the latest update at www.DesignLights.org for listed product catalog numbers. Not all versions are listed.