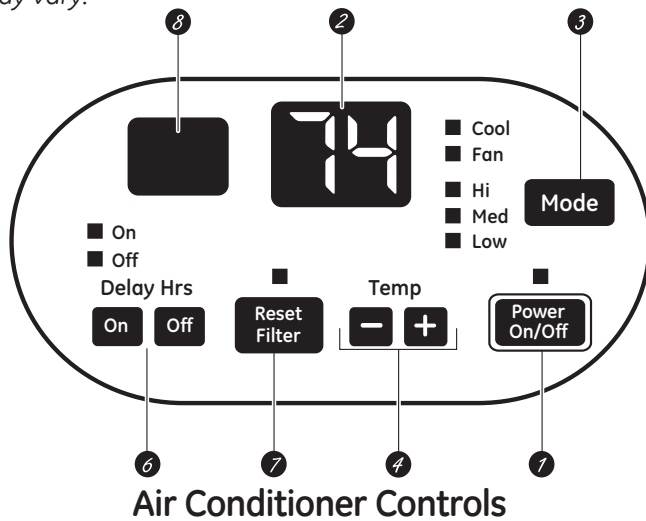


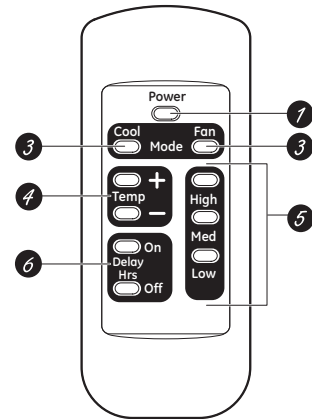
# About the controls on the air conditioner—Cool Only Models

Appearance may vary.



**Air Conditioner Controls**

Lights beside the touch pads on the air conditioner control panel indicate the selected settings.



**Remote Control**

## Controls

### 1. Power On/Off

Turns air conditioner on and off.

### 2. Display

Displays the temperature setting. Displays hours when setting the timer.

### 3. Mode

On the remote control, use to set the air conditioner to **Cool** or **Fan** mode.

On the air conditioner controls, use to set **Cool** or **Fan** mode at **High**, **Med** or **Low** fan speed. Indicator lights on the air conditioner controls will show the mode and fan speed selected.

### 4. Temp Increase + /Decrease - Pads

Use to set temperature when in **COOL** mode.

### 5. Fan Speeds

Use to set the fan speed at **Low**, **Med** or **High**.

### 6. Delay Hrs

**On**—When the air conditioner is off, it can be set to automatically turn on in half an hour to 24 hours at its previous setting. Each touch will set the time in half hours up to 10 and then in hours up to 24.

To cancel the Delay Timer, press the **On** pad until “CL” appears. Then wait until the display turns off.

**Off**—When the air conditioner is on, it can be set to automatically turn off in half an hour to 24 hours. Each touch will set the time in half hours up to 10 and then in hours up to 24.

To cancel the Delay Timer, press the **Off** pad until “CL” appears and wait for the set temperature to be displayed. The unit will now resume normal operation.

### 7. Reset Filter

LED will turn on when fan has accumulated 250 hours of run time as a reminder to clean filter. Press **Reset Filter** to turn off the LED and reset the accumulated run time.

### 8. Remote Control Signal Receiver

**NOTE:** When the air conditioner is turned on, it will automatically start in the setting last used.

## Remote Control

- To ensure proper operation, aim the remote control at the signal receiver on the air conditioner.
- The remote control signal has a range of up to 21 feet.
- Make sure nothing is between the air conditioner and the remote control that could block the signal.
- Make sure batteries are fresh and installed correctly—see the Care and Cleaning section.

---

## Cool Mode

### Remote Control

1. Press **Cool** pad.
2. Press **Low, Med** or **High** pads to set desired fan speed.
3. Press the **Increase + / Decrease -** pads to set the desired temperature 60°F to 85°F in 1°F increments.

### Control Panel

1. Press the **Mode** pad until the **Cool** indicator light is lit and the **Low, Med** or **High** indicator light is lit for the desired fan speed.
2. Press the **Increase + / Decrease -** pads to set the desired temperature 60°F to 85°F in 1°F increments.

A thermostat is used to maintain the room temperature. The compressor will cycle on and off to keep the room at the set level of comfort. Set the thermostat at a lower number and the indoor air will become cooler.

Set the thermostat at a higher number and the indoor air will become warmer.

**NOTE:** If the air conditioner is off and is then turned on while set to **Cool**, it will take approximately 3 minutes for the compressor to start and cooling to begin.

### Cooling Descriptions

**For Normal Cooling**—Select the **Cool** mode and **High** or **Med** fan with a middle set temperature.

**For Maximum Cooling**—Select the **Cool** mode and **HIGH** fan with a lower set temperature.

**For Quieter and Nighttime Cooling**—Select the **Cool** mode and **Low** fan with a middle set temperature.

**NOTE: If you switch from a Cool setting to Off or to a fan setting, wait at least 3 minutes before switching back to a Cool setting.**

---

## FAN MODE

Use the **Fan** mode to provide air circulation and filtering without cooling. Since fan-only settings do not provide cooling, a temperature setting will not be displayed.

### Remote Control

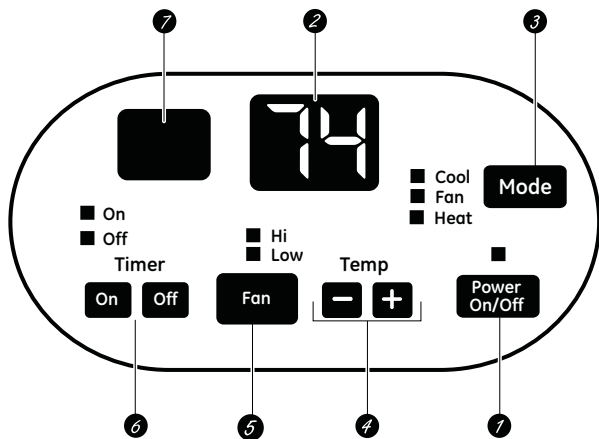
Press **Fan** pad. Press **Low, Med** or **High** pads to set desired fan speed.

### Control Panel

Press the **Mode** pad until the **Fan** indicator light is lit and the **Low, Med** or **High** indicator light is lit for the desired fan speed.

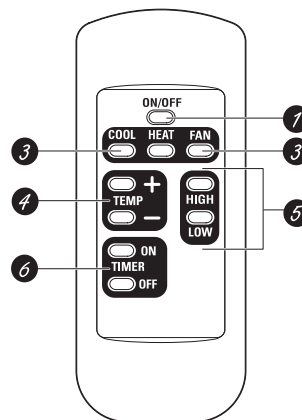
# About the controls on the air conditioner—Heat/Cool Models

Appearance may vary.



**Air Conditioner Controls**

Lights beside the touch pads on the air conditioner control panel indicate the selected settings.



**Remote Control**

## Controls

### 1. ON/OFF

Turns air conditioner on and off.

### 2. Display

Displays the temperature setting. Displays hours when setting the timer.

### 3. MODE

On the air conditioner controls, use to set **COOL**, **HEAT** or **FAN** mode. Indicator lights on the air conditioner controls will show the mode selected.

### 4. TEMP Increase + /Decrease - Pads

Use to set temperature when in **COOL** or **HEAT** mode.

### 5. FAN Speeds

Use to set the fan speed at **LOW** or **HIGH**. Indicator lights will show the speed selected.

### 6. TIMER

**ON**—When the air conditioner is off, it can be set to automatically turn on in half an hour to 24 hours at its previous setting. Each touch will set the time in half hours up to 10 and then in hours up to 24.

To cancel the On Timer, press the **ON** pad until “CL” appears. Then wait until the display turns off.

**OFF**—When the air conditioner is on, it can be set to automatically turn off in half an hour to 24 hours. Each touch will set the time in half hours up to 10 and then in hours up to 24.

To cancel the Off Timer, press the **OFF** pad until “CL” appears and wait for the set temperature to be displayed. The unit will now resume normal operation.

### 7. Remote Control Signal Receiver

**NOTE:** When the air conditioner is turned on, it will automatically start in the setting last used.

## Remote Control

- To ensure proper operation, aim the remote control at the signal receiver on the air conditioner.
- The remote control signal has a range of up to 21 feet.
- Make sure nothing is between the air conditioner and the remote control that could block the signal.
- Make sure batteries are fresh and installed correctly—see the Care and Cleaning section.

---

## COOL MODE

### Remote Control

1. Press **COOL** pad.
2. Press **LOW** or **HIGH** pads to set desired fan speed.
3. Press the **INCREASE + / DECREASE -** pads to set the desired temperature 60°F to 85°F in 1°F increments.

### Control Panel

1. Press the **MODE** pad until the **COOL** indicator light is lit.
2. Press the **FAN** pad until **HIGH** or **LOW** indicator light is lit for desired fan speed.
3. Press the **INCREASE + / DECREASE -** pads to set the desired temperature 60°F to 85°F in 1°F increments.

A thermostat is used to maintain the room temperature. The compressor will cycle on and off to keep the room at the set level of comfort. Set the thermostat at a lower number and the indoor air will become cooler.

Set the thermostat at a higher number and the indoor air will become warmer.

**NOTE:** If the air conditioner is off and is then turned on while set to **COOL**, it will take approximately 3 minutes for the compressor to start and cooling to begin.

### Cooling Descriptions

**For Normal Cooling**—Select the **COOL** mode and **HIGH** fan with a middle set temperature.

**For Maximum Cooling**—Select the **COOL** mode and **HIGH** fan with a lower set temperature.

**For Quieter and Nighttime Cooling**—Select the **COOL** mode and **LOW** fan with a middle set temperature.

**NOTE:** There will be a 3-minute delay between setting changes such as **COOL** to **OFF** and back to **COOL**.

---

## HEAT MODE

### Remote Control

1. Press **HEAT** pad.
2. Press **LOW** or **HIGH** pads to set desired fan speed.
3. Press the **INCREASE + / DECREASE -** pads to set the desired temperature 60°F to 85°F in 1°F increments.

### Control Panel

1. Press the **MODE** pad until the **HEAT** indicator light is lit.
2. Press the **FAN** pad until **HIGH** or **LOW** indicator light is lit for desired fan speed.
3. Press the **INCREASE + / DECREASE -** pads to set the desired temperature 60°F to 85°F in 1°F increments.

A thermostat is used to maintain the room temperature. The heater will cycle on and off to keep the room at the set level of comfort. Set the thermostat at a higher number and the indoor air will become warmer.

Set the thermostat at a lower number and the indoor air will become cooler.

**NOTE:** If the air conditioner is off and is then turned on while set to **HEAT**, it will take approximately 1 minute for the heater to start and heating to begin.

### Heating Descriptions

**For Normal Heating**—Select the Heat mode and **HIGH** fan with a middle set temperature.

**For Maximum Heating**—Select the **HEAT** mode and **HIGH** fan with a higher set temperature.

**For Quieter and Nighttime Heating**—Select the **HEAT** mode and **LOW** fan with a middle set temperature.

---

## FAN

Use the **FAN** to provide air circulation and filtering without cooling or heating. Since fan only settings do not provide cooling or heating, a temperature setting will not be displayed.

### Remote Control

Press **FAN** pad. Press **LOW** or **HIGH** pads to set desired fan speed.

### Control Panel

Press the **MODE** pad until the **FAN** indicator light is lit and the **LOW** or **HIGH** indicator light is lit for the desired fan speed.

# About the controls on the air conditioner

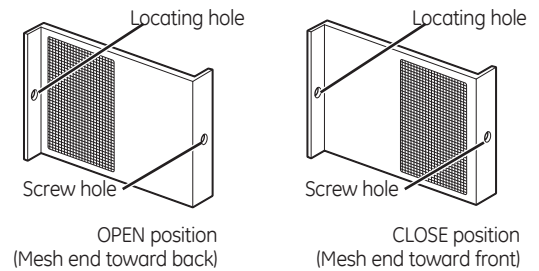
## Vent Control

The vent control is located behind the front grille on the right side of the air discharge area. When **CLOSED**, only the air inside the room will be circulated and conditioned. When **OPEN**, the vent allows outdoor fresh air exchange.

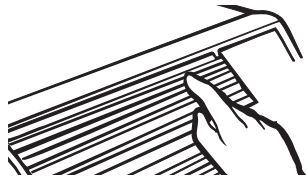
To open or close the vent:

1. Remove the front grille.
2. Remove the vent card screw.
3. Remove vent card, turn it over and replace it by locating rear hole in card over locating pin inside air discharge and reattaching screw at front.

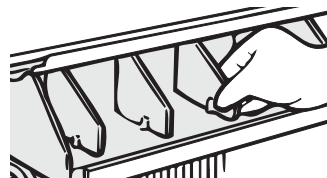
The unit leaves the factory set at the CLOSE position.



## Air Direction



Horizontal louvers on the front grille let you control the air direction up and down.



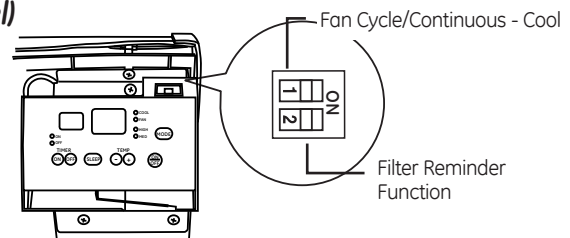
Remove the front grille to adjust the vertical louvers side-to-side to direct the air left or right.

## Cool Only Models

### Auxiliary Controls – Dip Switches (location varies by model)

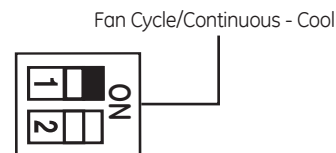
The auxiliary dip switch controls are located behind the room cabinet—as shown in this figure.

The owner is responsible for checking switches and ensuring they are in the desired position.



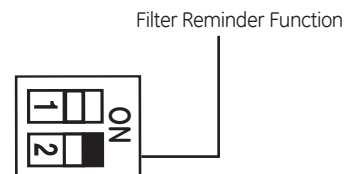
### Fan Cycle/Continuous - Cool

When this switch is enabled (**RIGHT**), it allows the indoor fan to cycle on/off with the compressor. When this switch is disabled (**LEFT**), it allows the indoor fan to run continuously. The default setting is **right** (fan cycle).



### Filter Reminder Function

When this switch is enabled (**RIGHT**), an LED will light up the user interface after 250 of accumulated fan run time. It serves as a reminder to clean the filter. When this switch is disabled (**LEFT**), the function is disabled. The default setting is **right** (enabled).

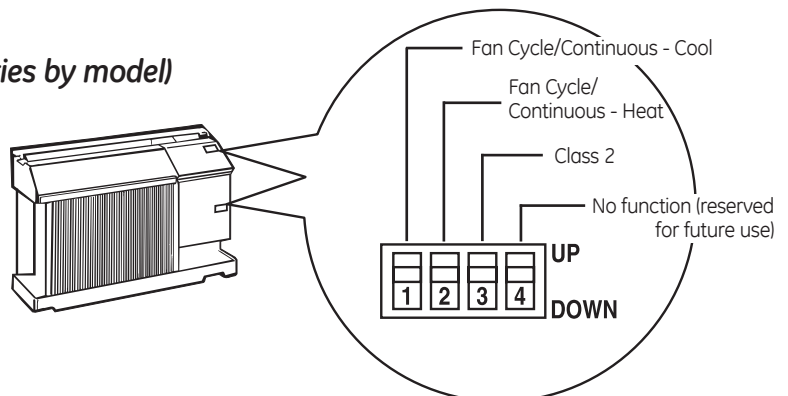


## Heat/Cool Models

### Auxiliary Controls – Dip Switches (location varies by model)

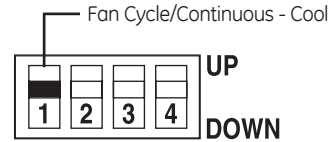
The auxiliary dip switch controls are located behind the room cabinet—as shown in this figure.

The owner is responsible for checking switches and ensuring they are in the desired position.



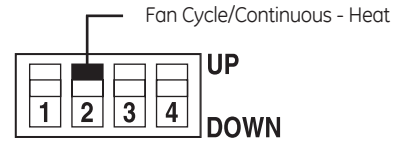
### Fan Cycle/Continuous - Cool

When this switch is enabled (**UP**), it allows the indoor fan to cycle on/off with the compressor. When this switch is disabled (**DOWN**), it allows the indoor fan to run continuously. The default setting is **DOWN** (continuous).



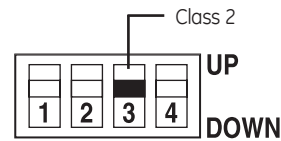
### Fan Cycle/Continuous - Heat

When this switch is enabled (**UP**), it allows the indoor fan to cycle on/off with the heater operation. When this switch is disabled (**DOWN**), it allows the indoor fan to run continuously. The default setting is **UP** (cyclic).



### Class 2 - Remote Thermostat

When this switch is enabled (**UP**), it allows the unit to operate with a Class 2 Remote Control Wall Thermostat. The unit controls are disabled. The default setting is **DOWN** (disabled).



### Terminal Connections Remote Thermostat - Class 2 (on some models)

The controls are located under a plastic cover behind the front grille.

1. Remove the front grille. See the Front Grille section of Care and Cleaning.
2. Remove the screws securing the plastic cover over the wiring connections. Set aside screws and plastic cover.
3. To make wiring connections, insert the wires into the bottom of the terminals and tighten screws securely.
4. After all desired connections have been made, replace the plastic cover and front grille.

The owner is responsible for making all connections and setting the appropriate dip switches.

When connected, the unit will be controlled by a remote thermostat.

**NOTE:** The number 3 dip switch must be in the enabled (**UP**) position to activate the remote thermostat. (See the installation instructions supplied with the remote thermostat.)

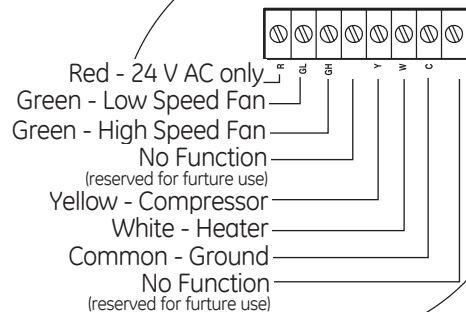
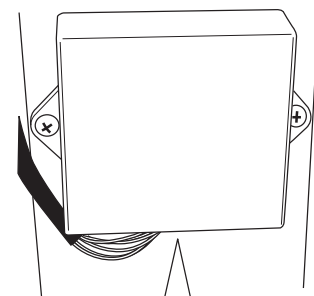
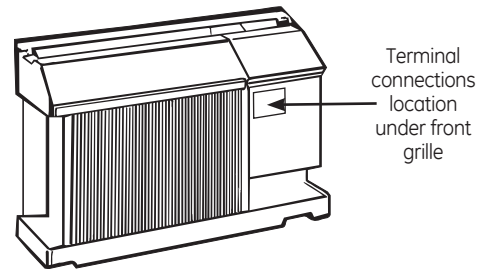
### IMPORTANT:

The thermostat connections provide 24 V AC only.

If using a digital/electronic wall thermostat, ensure it is compatible with 24 VAC signal. See the Installation Instructions for the wall thermostat.

### NOTICE:

Damage to a wall thermostat or to the electronics can result from improper connections. Special care must be used in connecting the wires. No line voltage connections should be made to any circuit. Isolate all wires in building from line voltage.



# Care and cleaning of the air conditioner.

## Grille and Case

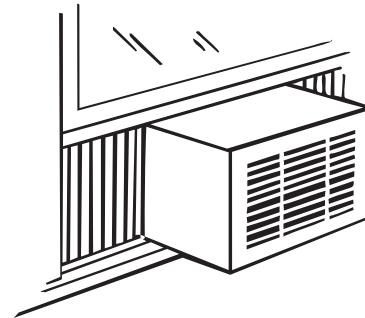
Turn the air conditioner off and remove the plug from the wall outlet before cleaning.

To clean, use water and a mild detergent. Do not use bleach or abrasives.

## Outdoor Coils

The coils on the outdoor side of the air conditioner should be checked regularly.

If they are clogged with dirt or soot they may be professionally steam cleaned, a service available through your GE service outlet.



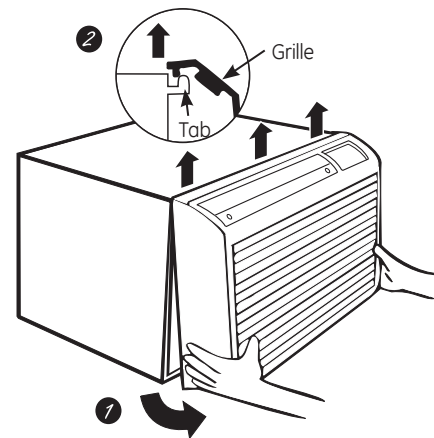
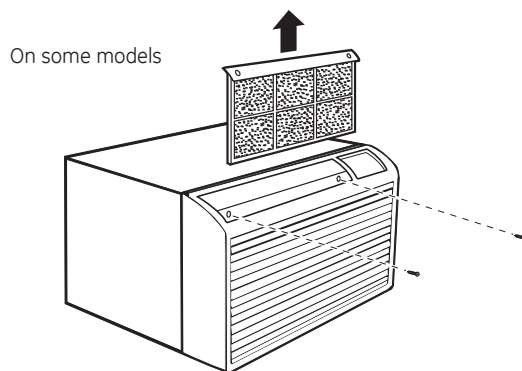
## Front Grille

The front grille can be removed for more thorough cleaning and to locate the model and serial numbers on the front of the base pan.

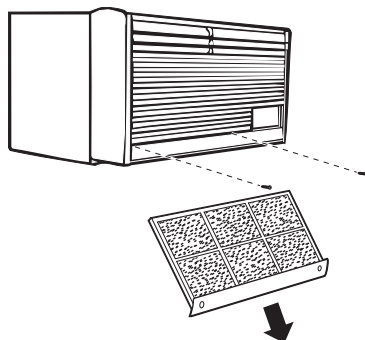
3. Pull the grille out from the bottom and lift up from the tabs on the top of the case.

### To remove:

1. Pull the filter out.
2. Remove the two grille screws.



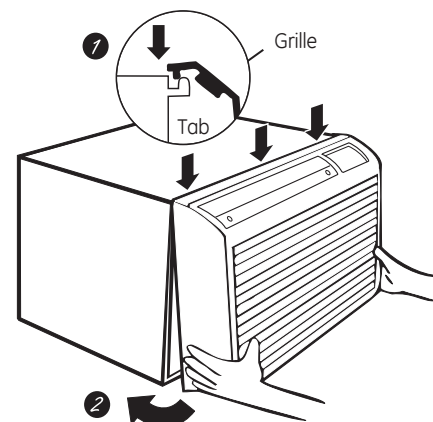
On some models



### To replace:

Hook the tabs on the front grille even with the tabs on the case and snap into place.

Replace the screws and filter.



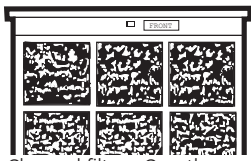


To maintain optimum performance, clean the filter at least every 30 days.

## Air Filter



Dirty filter—Needs cleaning



Clogged filter—Greatly reduces cooling, heating and airflow.

### Turn the air conditioner off before cleaning.

The most important thing you can do to maintain the air conditioner is to clean the filter at least every 30 days. A clogged filter reduces cooling, heating and air flow.

### Keeping the air filter clean will:

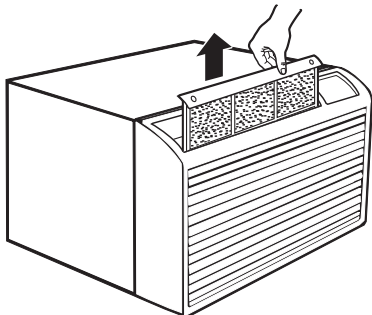
- Decrease cost of operation.
- Save energy.
- Prevent clogged heat exchanger coils.
- Reduce the risk of premature component failure.

### To clean the air filters:

- Vacuum off the heavy soil.
- Run water through the filters.
- Dry thoroughly before replacing.

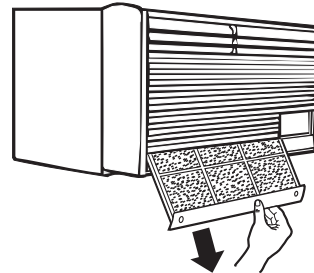
### To remove the air filter, on some models:

Carefully pull the tab forward, up and out.



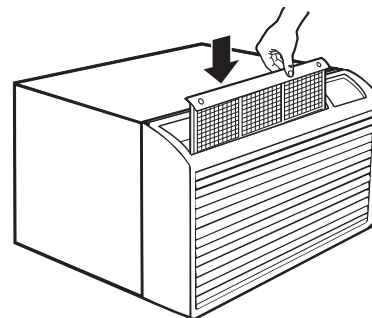
### To remove the air filter, on other models:

Pull it down.



### To replace the air filter:

Replace the clean filter by pushing it back into place.



**NOTICE:** Do not operate the air conditioner without the filter in place. If a filter becomes torn or damaged it should be replaced immediately.

Operating without the filter in place or with a damaged filter will allow dirt and dust to reach the indoor coil and reduce the cooling, heating, airflow and efficiency of the unit.

Replacement filters are available from your salesperson, GE dealer, GE Service and Parts Center or authorized Customer Care® servicers.



# Care and cleaning of the air conditioner.

---

## How to Insert the Batteries in the Remote Control

1. Remove the battery cover by sliding it according to the arrow direction.
2. Insert new batteries making sure that the (+) and (-) of battery are installed correctly.
3. Reattach the cover by sliding it back into position.

### NOTES:

- Use 2 AAA (1.5 volt) batteries. Do not use rechargeable batteries.
- Remove the batteries from the remote control if the system is not going to be used for a long time.
- Do not mix old and new batteries. Do not mix alkaline, standard (carbon-zinc) or rechargeable (ni-cad, ni-mh, etc) batteries.

---

## Long Term Storage

When the room air conditioner is not in use it is recommended that the unit be covered to eliminate drafts and limit energy loss.

Insulated covers that mount to the front of the unit, that are designed to eliminate drafts and energy loss are recommended. Approximate size of indoor cover should be 26 in \* 16 in. \* 7 in..

Unplug the unit before adding the cover. Follow cover manufacturer's installation instruction to install cover.

Cover should be removed prior to running the unit.