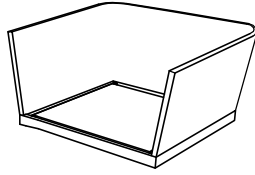
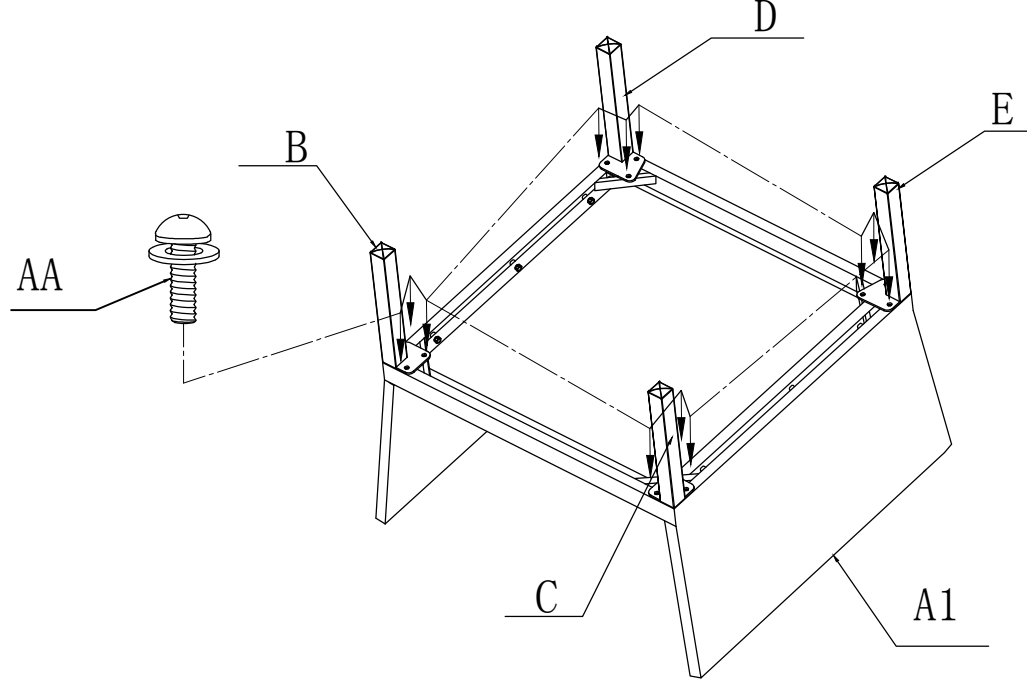




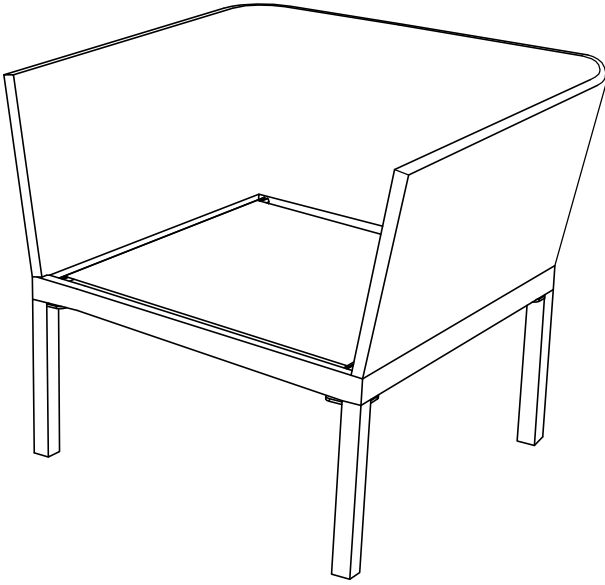
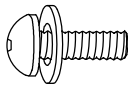



Assembly Instruction

DQ629L

NO.	PART LIST	DESCRIPTION	QTY/ PCS	
A1		SEAT	1PC	<p>(1)</p> 
B		Left front foot	1PC	
C		Right front foot	1PC	
D		Left rear foot	1PC	
E		Right rear foot	1PC	<p>(2)</p> 
AA		BOLT	12PCS	
BB		Hex Wrench		

Note:do not tighten bolts until all parts are connected