

For Residential and Commercial Applications

Job Name		Engineer / Architect	
Job Location		Wholesaler	
Submittal Date		Contractor	

CS403DL Copper Toilet Supply Kit –Multi-Turn Sweat Straight Stop w/ 5” Extension

Use: For use with water in accessible locations only. Not intended for recirculating water systems that produce continuous use temperatures above 115° F. For those applications, use our KT™ series ball stop supply kits

Design Features:

- **Everything you need.** This kit combines our trusted BrassCraft® supply stop, copper riser, extension tube, and escutcheon for an easy-to-install connection

Copper riser provides:

- **One-piece construction**
- **Cut-to-length** for a clean, professional installation

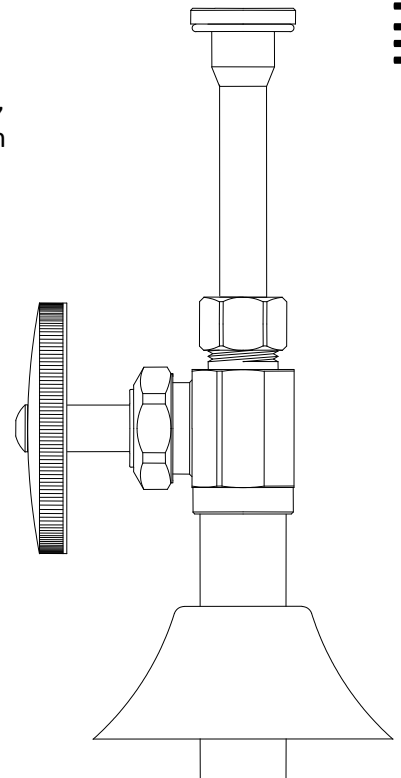
Multi-turn stop provides:

- **Machined one-piece brass body** provides strength, durability, and long-lasting performance
- **Oval knurled handle** provides a secure grip and smooth on/off operation
- **Easy-to-remove handle** with screw attachment helps protect against accidental stop operation during rough-ins

Operating Specifications:

Temperature: 40°- 140° F
Pressure: 125 PSI maximum

Tubing Diameter: 0.375” OD



CONNECTOR MATERIAL SPECIFICATIONS	
Tube	Copper, chrome-plated
Nosepiece	POM

Escutcheon	Steel, chrome-plated
-------------------	----------------------

STOP MATERIAL SPECIFICATIONS	
Body	Brass, chrome-plated
Stem	Brass, chrome-plated
Bib & Packing Washers	Nitrile rubber
Packing Nut	Brass, chrome-plated
Handle	Metal, chrome-plated
Handle Screw	Steel, zinc-plated
Compression Nut	Brass, chrome-plated
Compression Sleeve	Brass
Sweat Extension	Copper, chrome-plated

This specification and all information contained herein is the confidential and exclusive property of BrassCraft Manufacturing, and shall not be disclosed to others without the written consent of BrassCraft Mfg. This specification must be returned to BrassCraft Mfg if requested.

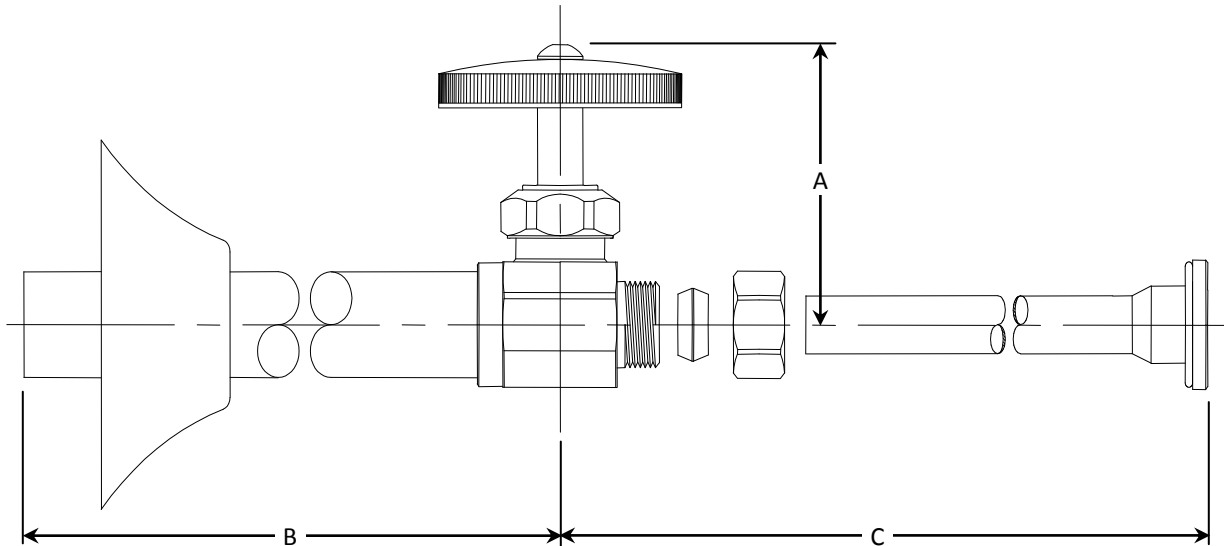


CS403DL Copper Toilet Supply Kit –Multi-Turn Sweat Straight Stop with 5” Extension

Part Listing:

- CS403DL C 1/2" nom sweat with extension x 3/8" OD compression stop with 3/8" OD tube x 11-1/2" length riser & bell escutcheon, chrome plated

PART DIMENSIONS (Inches)			
Model	DIM. A	DIM. B	DIM. C
CS403DL	2.04	6.50	12.03



Listings & Certifications:

- IAPMO listed to ASME A112.18.1 / CSA B125.1 (File # 0645)
- CSA listed to ASME A112.18.1 / CSA B125.1 (File # 204593)



This specification and all information contained herein is the confidential and exclusive property of BrassCraft Manufacturing, and shall not be disclosed to others without the written consent of BrassCraft Mfg. This specification must be returned to BrassCraft Mfg if requested.

