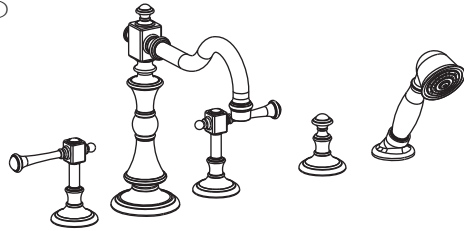
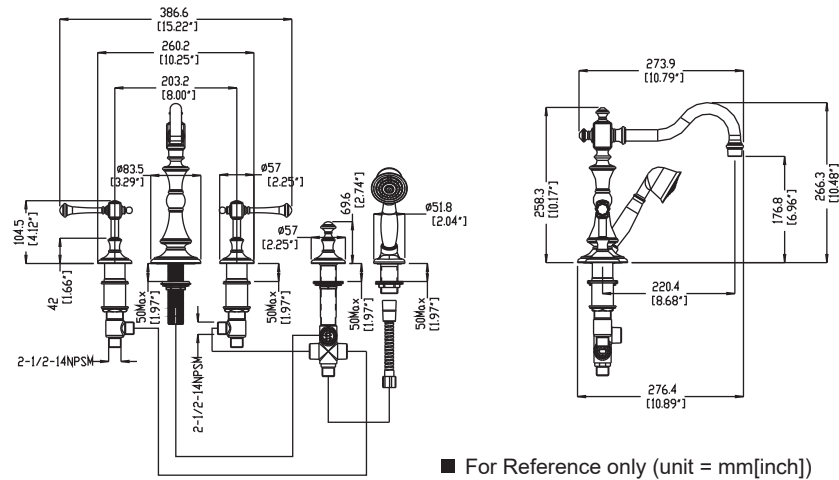


# HD6247-FF-60375

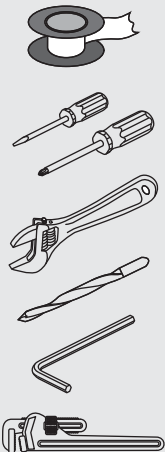


## DIMENSIONS



## FAUCET MAINTENANCE

### RECOMMENDED TOOLS



### CARE INSTRUCTIONS

To keep your faucet looking its best, please follow these simple care instructions:

#### DO:

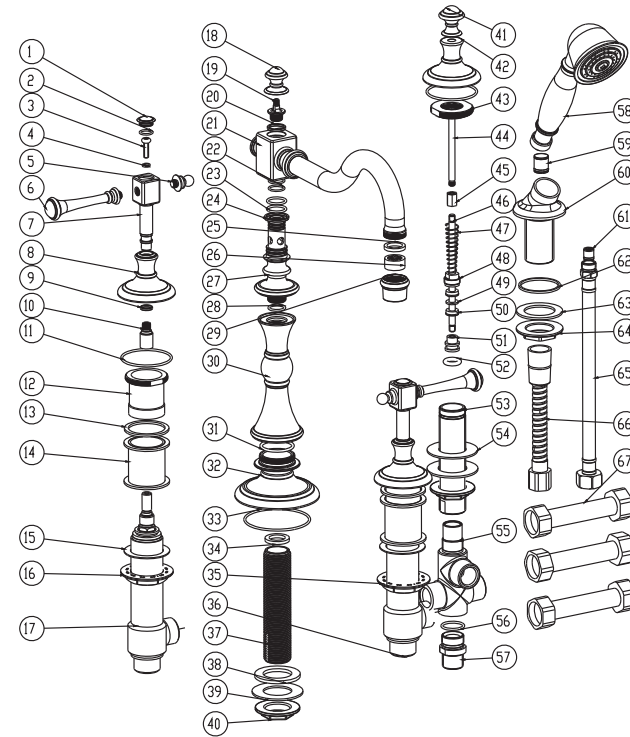
1. Remove as much surface dirt and film using clear water and a soft cotton cloth.
2. Use any of the following to remove tough surface film and build-up:
  - Mild liquid detergent
  - Non-acidic, non-abrasive gentle liquid cleanser
  - Non-abrasive liquid polisher.
3. Once clean, rinse faucet with clear water to thoroughly remove cleaner or polish and blot dry with soft cotton cloth.

#### DO NOT:

1. Use abrasive cleansers, cloths, or paper towels.
2. Use any cleaning agents containing acids, polish, waxes, alcohol, ammonia, bleach, solvents or any other corrosive or harsh chemical cleansers.

## EXPLODED DRAWING

Please read the followings before installing and usage.



NO.	Part No	Part Desc	Qty
51	CTDB0133	STOP	1
52	CTRR0139	O-RING	1
53	CTPB0415	SHANK	1
54	CTWR0090	WASHER	1
55	CTPB0404	BODY	1
56	CTRR0062	O-RING	1
57	CTMB0452	ADAPTER	1
58	ATBE0043	SHOWER	1
59	ATBA0274	CHECK VALVE	1
60	CTDB0042	BASE	1
61	ATBA0100	CHECK VALVE	1
62	CTWR0060	WASHER	1
63	CTWR0061	WASHER	1
64	CTNB0016	NUT	1
65	ATBP0071	HOSE	1
66	ATBP0070	HOSE	1
67	ATBP0013	HOSE	3

■ Notes: For reference only. We reserve the right to make changes without any notice.

NO.	Part No	Part Desc	Qty
01	CTCB0493	COVER	2
02	CTRR0117	O-RING	2
03	CTST0057	SCREW	2
04	CTWT0009	WASHER	2
05	CTHB0195	STEM	2
06	CTHB0196	HANDLE	2
07	CTDB0312	BASE	2
08	CTDB0308	BASE	2
09	CTWP0208	WASHER	4
10	CTMB0458	SHANK	2
11	CTRR0085	O-RING	3
12	CTCB0494	STEM	2
13	CTWR0207	WASHER	2
14	CTCT0035	BASE SEAT	2
15	CTWQ0007	WASHER	2
16	CTNP0046-XR	NUT	1
17	ATBQ0226	VAVLE	1
18	CTHB0208	STEM	1
19	CTMB0459	SHANK	1
20	CTWP0209	WASHER	1
21	ATBF0117	SPOUT	1
22	CTRR0009	O-RING	2
23	CTRR0128	O-RING	2
24	CTWP0221	WASHER	1
25	CTWR0254	WASHER	1
26	CTQP0029	AERATOR	1
27	CTPB0437	SHANK	1
28	CTRR0118	O-RING	1
29	CTXB0045	AERATOR COVER	1
30	CTPB0436	SHANK	1
31	CTRR0172	O-RING	1
32	CTDB0307	BASE	1
33	CTRR0113	O-RING	1
34	CTWR0053	WASHER	1
35	CTNP0046-XD	NUT	1
36	ATBQ0225	VAVLE	1
37	CTPB0413	SHANK	1
38	CTWR0217	WASHER	1
39	CTWT0038	WASHER	2
40	CTNB0059	NUT	2
41	CTHB0209	PULL ROB	1
42	CTLB0095	STEM	1
43	CTCB0496	STEM	1
44	CTMB0461	SHANK	1
45	CTNB0056	NUT	1
46	CTMB0515	POLE	1
47	CTBT0053	SPRING	1
48	CTNB0240	NUT	1
49	CTWB0048	WASHER	1
50	CTRR0138	WASHER	2

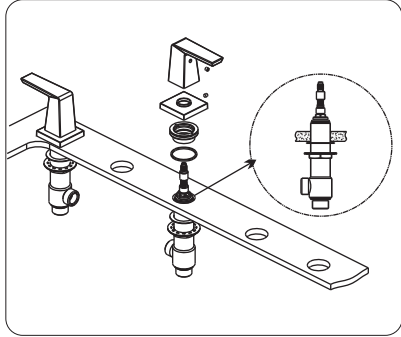
## Step 1

### Handle installation

1 Disassemble the cold water handle (identified by a blue nut). Leave the bottom retainer ring as well as the washer in place. From under the bathtub insert the cold water valve (identified by a C) in the hole located on the right of the spout hole.

2 From the top, install the nut and washer. Screw the nut to secure the valve, handle flange and handle in place.

3 Repeat steps to install the handle and hot water valve (identified by an H) in the hole located on the left of the spout hole.



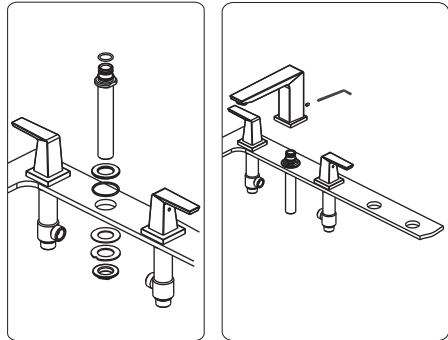
## Step 2

### Spout installation

1 Unscrew the Allen screw from behind the spout. Pull apart the spout from its connector.

2 Unscrew the nut of the spout shank. From the top of the bathtub, put the gasket and the washer on the bathtub, insert the shank in the hole between the two handles. From underneath the bathtub, install the washer, metal washer and screw the nut to secure the shank in place.

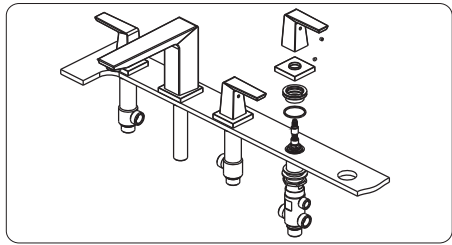
3 Tighten spout in place by screwing the Allen screw behind the spout.



## Step 3

### Diverter installation

1 Repeat steps to install the handle and diverter in the hole located on the right of the cold water handle.



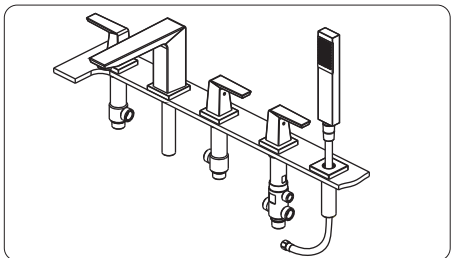
## Step 4

### Hand shower holder installation

1 Unscrew the bottom nut and take off rubber washer.

2 Insert the hand shower holder in the hole making sure to place the washer underneath the fix holder. From under, screw the rubber washer, as well as the retainer ring to the holder in place.

3 Connect the hose to the hand shower, making sure that the rubber washer is in place. From above, slide the hose through the holder to sit the hand shower on its base.

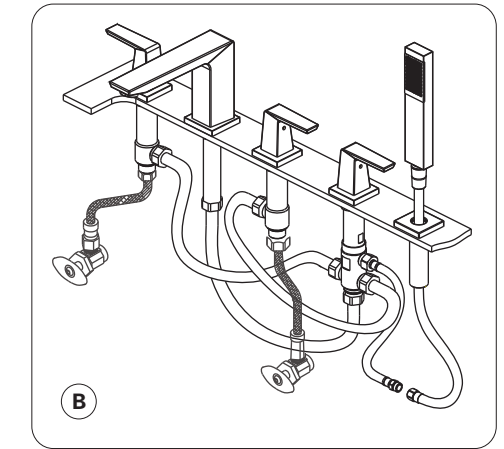
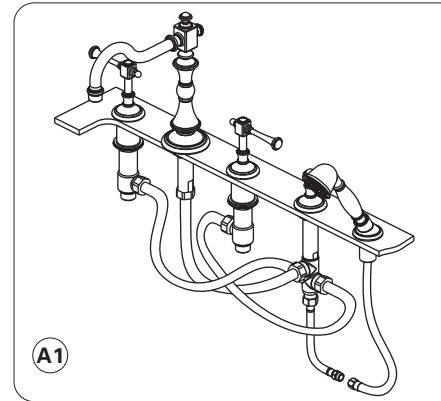
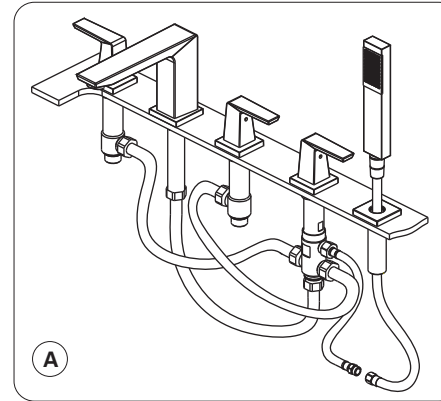


## Step 4

### Valve and water supply connection

1 Using the flexible connectors included, connect the valves to the diverter and diverter to the spout. Use the extra flexible connector to join the diverter to the hand shower hose. Tighten using appropriate tool (ill. A&A1).

2 Connect hot and cold valves to the corresponding water supply lines using flexible connectors (not included) and tighten (ill.B).



## Step 5

### Testing connections

**WARNING: Remove aerator before testing connections. Do not overtighten.**

1 Verify that there are no leaks by slowly opening the hot and cold water. In case of a leak, shut off the water supply and tighten connectors 1/4 turn using the appropriate tool. Repeat if necessary.

2 Turn on the faucet and leave both hot and cold water running for at least one minute to evacuate the air trapped in the pipes. Turn off water.

3 Assemble the aerator as illustrated and insert into the spout, tightening by hand. You can now turn on water supply.

