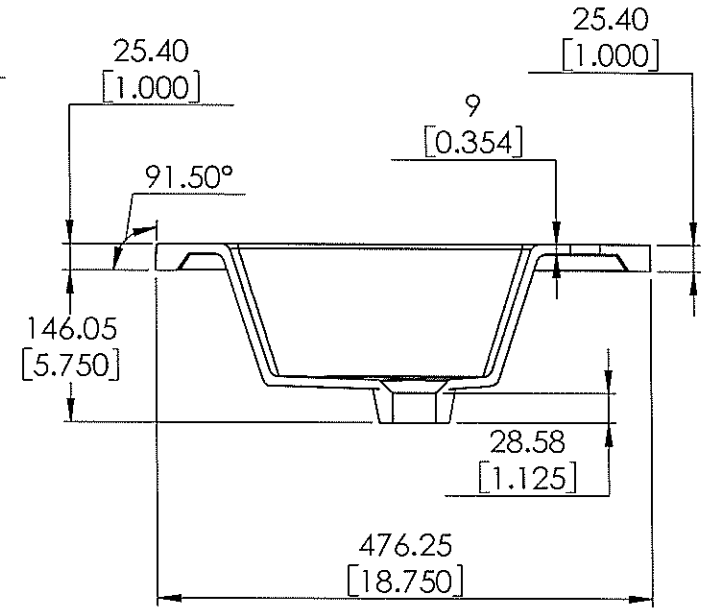
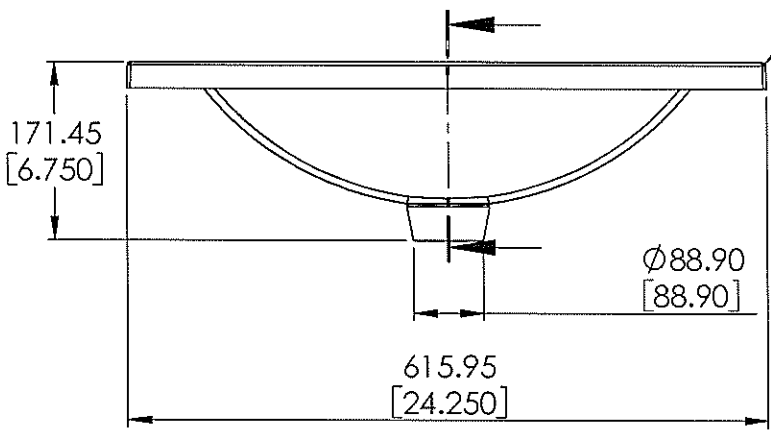


TRUE R3.18 [0.125]

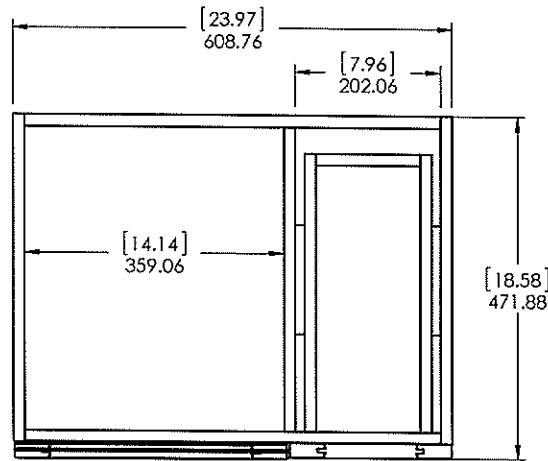
R3.18 [0.125]



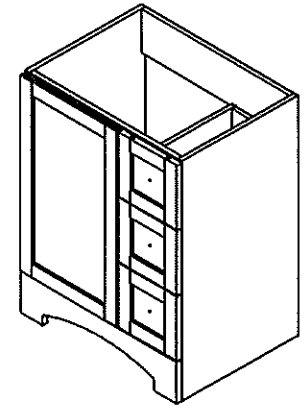
PROPRIETARY AND CONFIDENTIAL
 THE INFORMATION CONTAINED IN THIS DRAWING IS THE
 SOLE PROPERTY OF WOODCRAFTERS, AND
 IS TO BE USED ONLY FOR THE PART OR AS A WITNESS WHEREOF THE
 WRITTEN PERMISSION OF WOODCRAFTERS IS REQUIRED.

REV	DATE	BY	CHKD
1	11/11/2011	W. J. WOOD	W. J. WOOD
2	11/11/2011	W. J. WOOD	W. J. WOOD
3	11/11/2011	W. J. WOOD	W. J. WOOD
4	11/11/2011	W. J. WOOD	W. J. WOOD

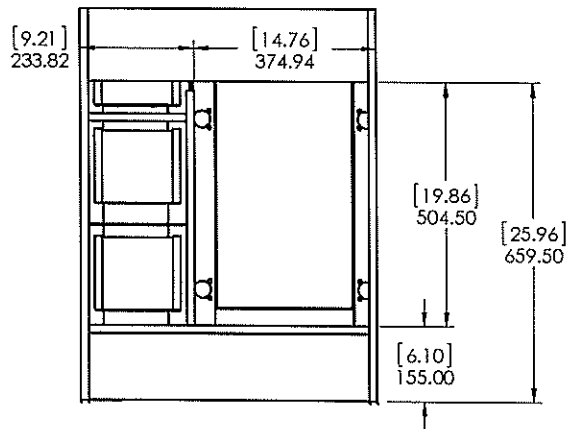
Wood Crafters
 ALPINE TOP 24 - 2ND GENERATION - FG



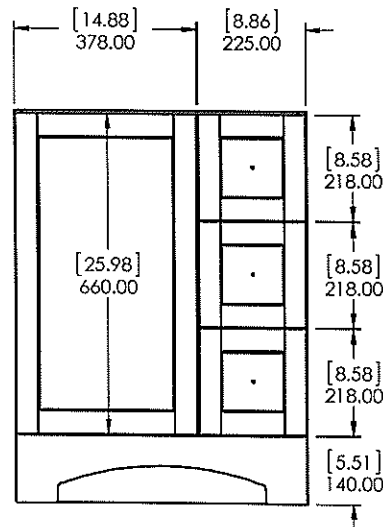
TOP VIEW



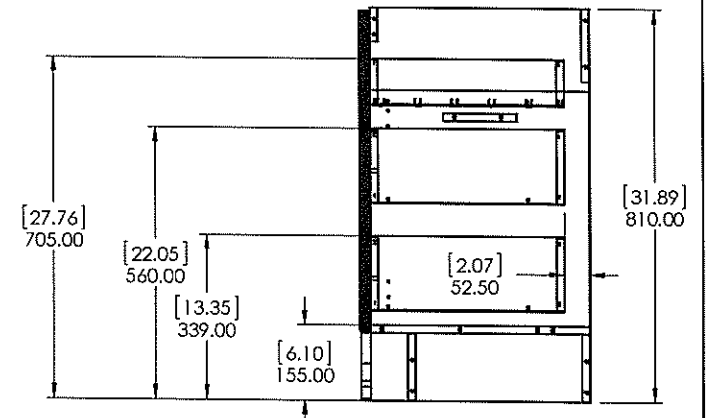
ISOMETRIC VIEW



BACK VIEW



FRONT VIEW



SIDE VIEW

Wood Crafters

TITLE:		LC24P2-AM	
PART NO:	LC24P2-AM	PAGE:	1 OF 1
LC24P2COM-WH	LC24P2M-WH	REV:	1
LC24P2MCOM-WH	LC24P2-WH		