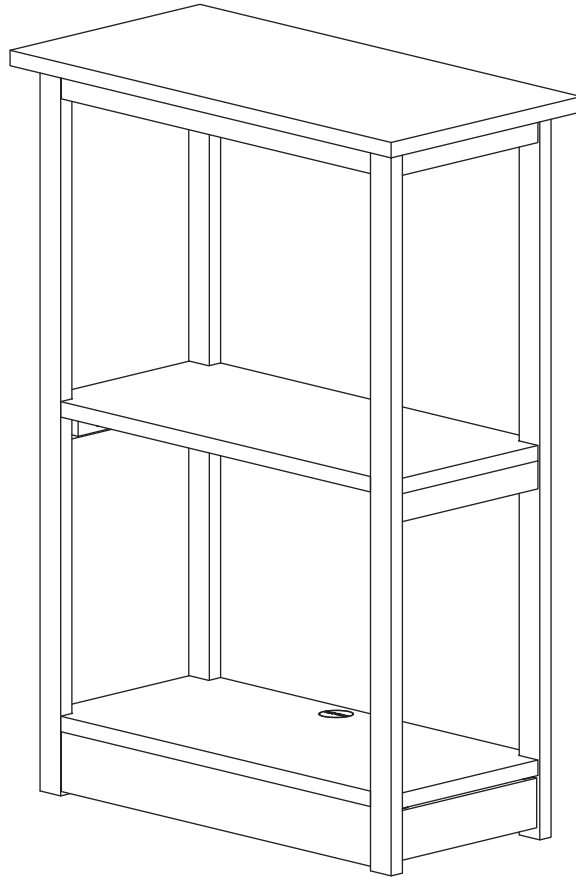


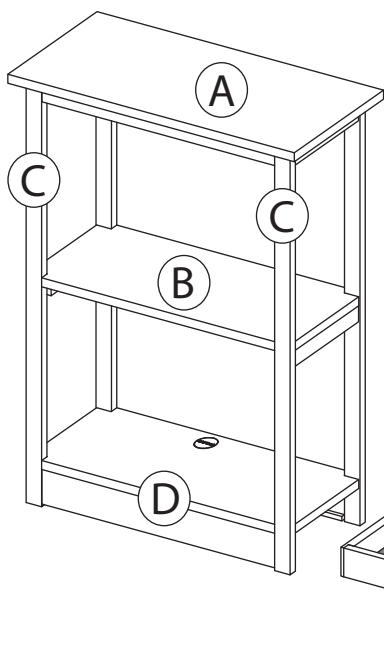
# Assembly Instructions

Item# 615-4X

## Adams 3-Shelf Bookcase with Concealed Sliding Track, Concealment Furniture

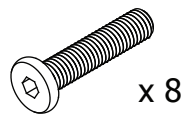


### Part List



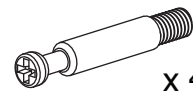
- |     |            |        |
|-----|------------|--------|
| (A) | Table Top  | 1 Pc.  |
| (B) | Shelf      | 1 Pc.  |
| (C) | Side Panel | 2 Pcs. |
| (D) | Bottom     | 1 Pc.  |
| (E) | Drawer     | 1 Pc.  |

### Hardware



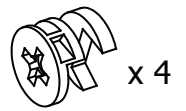
x 8

**RF10052**  
Screw



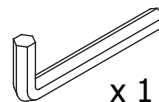
x 4

**RF40084**  
Connector Bolt



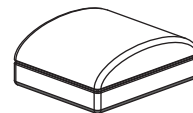
x 4

**RF40083**  
Connector



x 1

**RF40103**  
Allen Key



x 1

**RF40282**  
Magnet

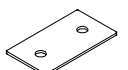
### Anti-Tipping



Screw P6 x 5/8"  
**RF10080**  
2 pcs.



Screw P6 x 1 1/4"  
**RF10103**  
2 pcs.



Metal Plate  
**RF40214**  
2 pcs.

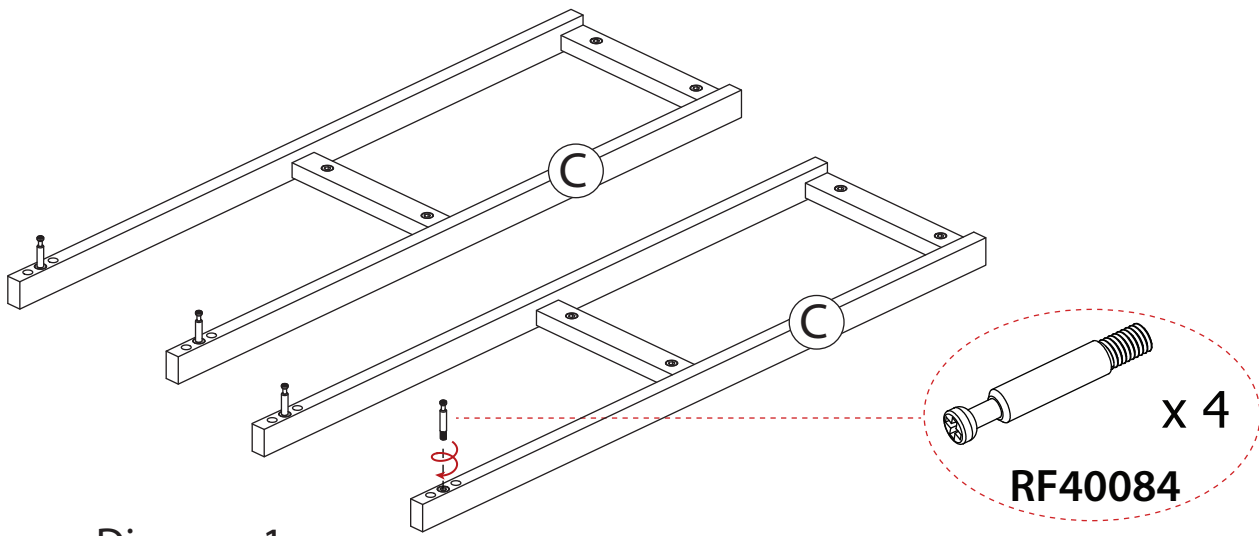


Diagram 1.

**Step 1:**

Tighten the Connector Bolts (RF40084) into Side Panels (C) as per diagram 1.

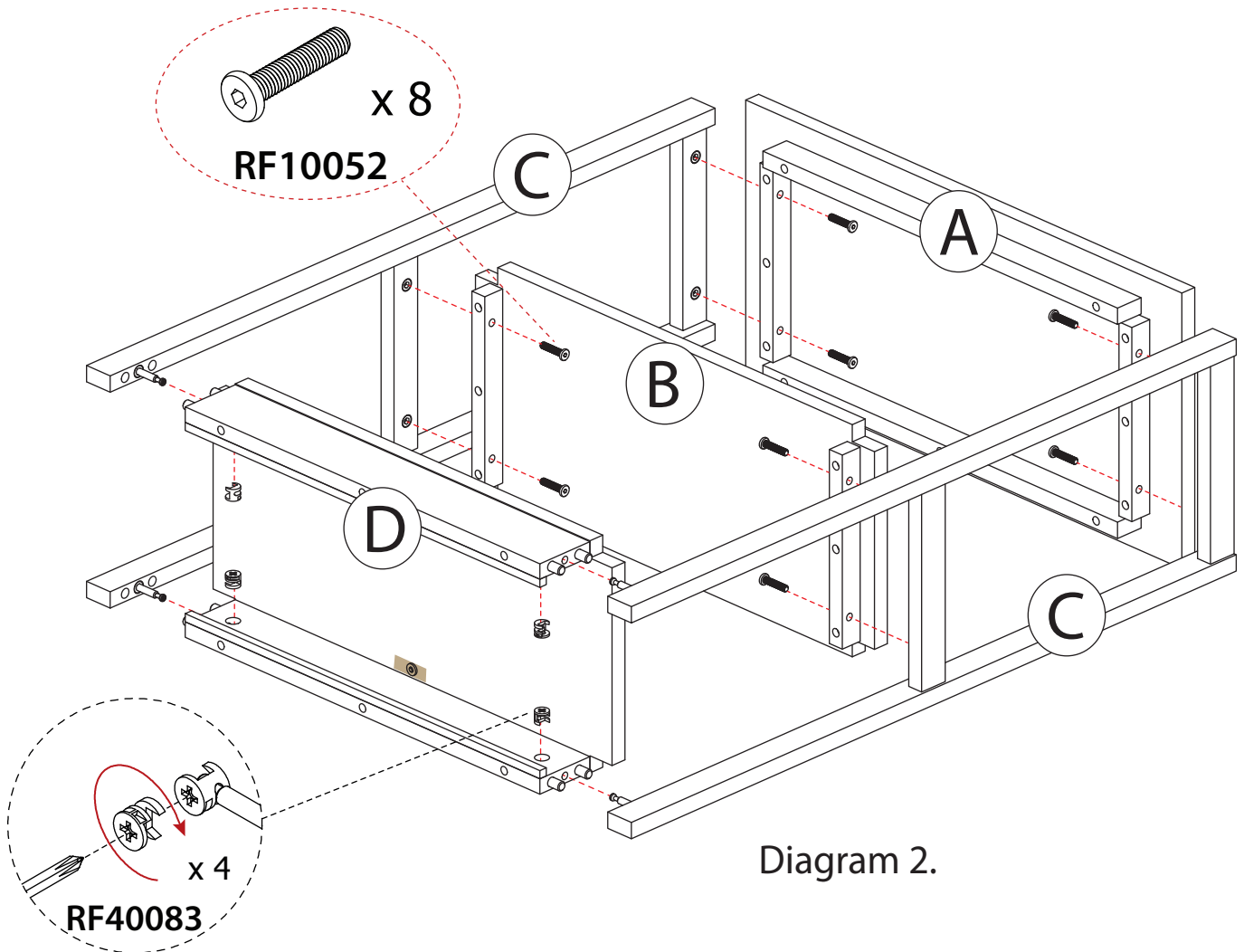


Diagram 2.

**Step 2:**

- Take out the drawer (E) before assembling the bookcase.
- Assemble the bookcase by attaching Table Top (A), Shelf (B), Side Panels (C) by using screws (RF10052) and Bottom (D) by using Connector Bolts (RF40084) as per diagram 2.

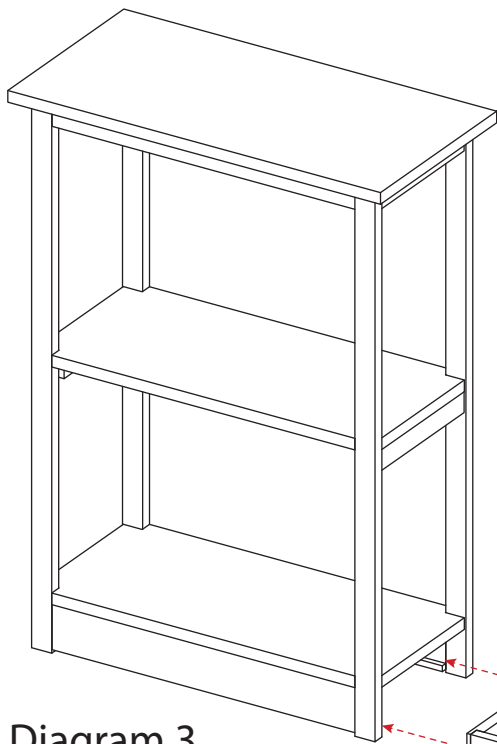


Diagram 3.

**Step 3:**  
Slide in the drawer (E) as per diagram 3.

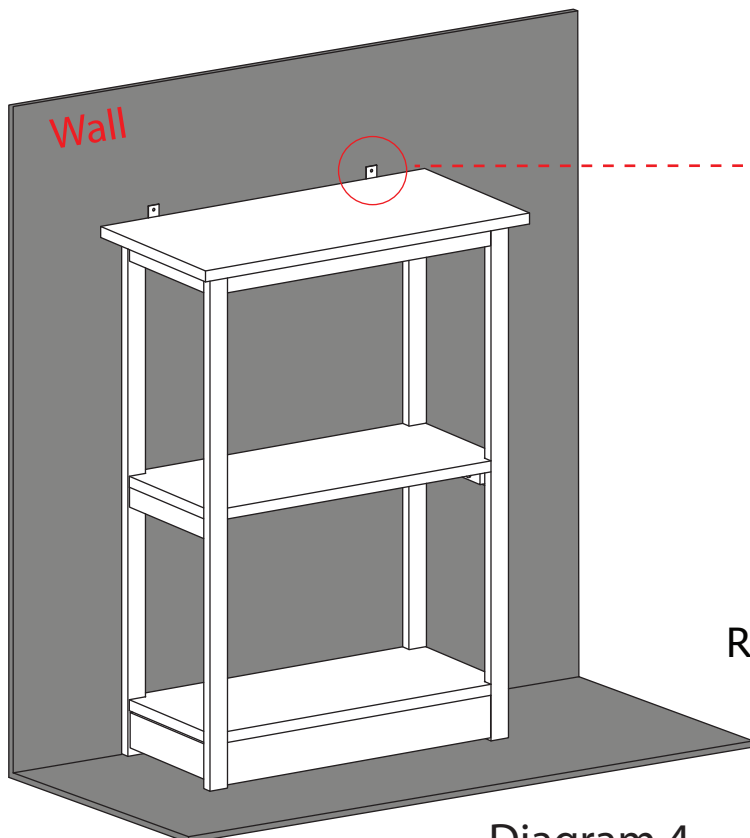
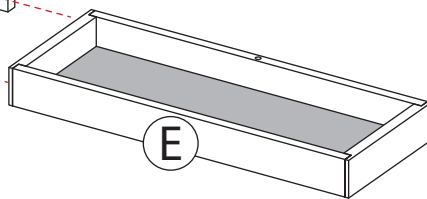
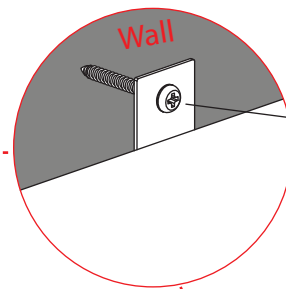


Diagram 4.

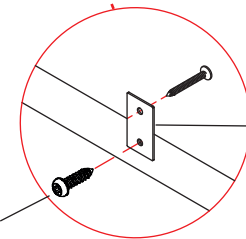
**Anti-Tipping**

Use metal plate (RF40214) and screws P6 x 5/8" (RF10080) to attach the bookcase, using screws P6 x 1 1/4" (RF10103) thru the studs to secure the bookcase to the wall, as per diagram 4.



RF10103

Front view



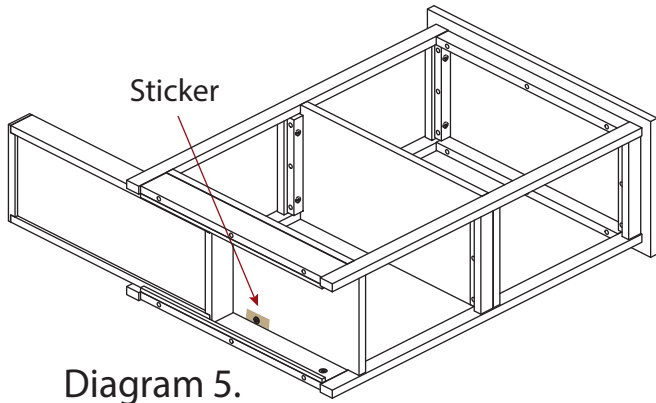
Metal Plate  
RF40214

RF10080

Back view

**WARNING.** The hidden compartment is NOT a security safe. The inner contents in the hidden compartment are the sole responsibility of the user and are to be stored at the user's discretion. Regardless of loss, seizure, damage, or changes in condition to the inner contents of the hidden compartment, the manufacturer is not liable for the contents stored in the hidden compartment.

## How to use the concealed compartment



The hidden compartment is built in, shipped with the locking bolt (if installed), and is disengaged and unlocked. In order to engage the hidden compartment lock, please remove the sticker which blocks the bolt (see the diagram 5).



This sticker identifies the designated position. Place the magnetic key here to unlock the concealed drawer.

\* Before removing the sticker, please note the designated position.

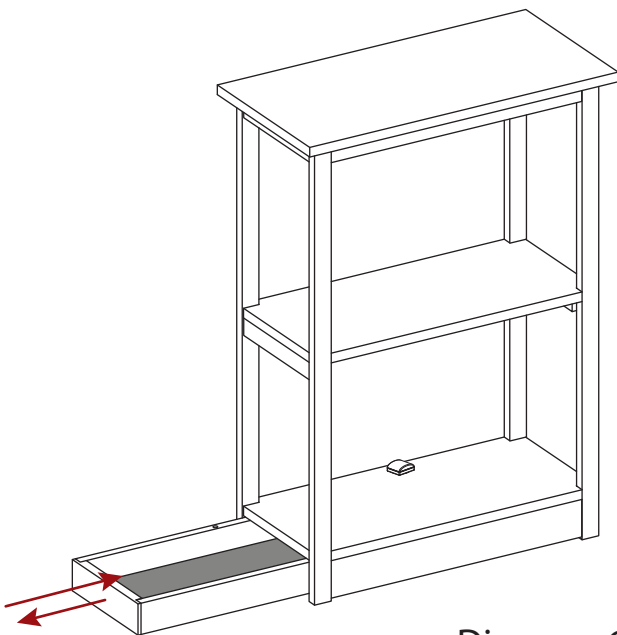


Diagram 6.

**Unlock and Open:** place the magnetic key onto the assigned position shown above to unlock and pull out the drawer as per diagram 6.

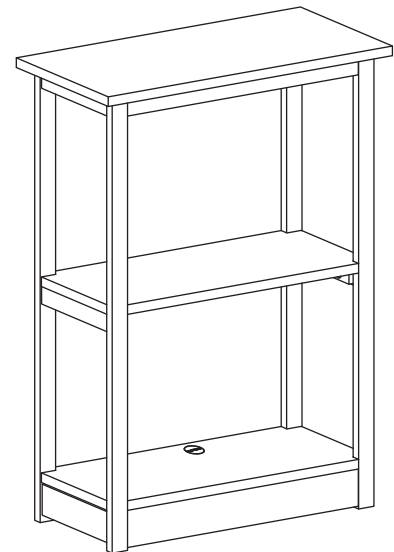


Diagram 7.

**Close and Lock:** close the drawer and remove the magnetic key from the assigned position to lock the drawer as per diagram 7.