

Specifications

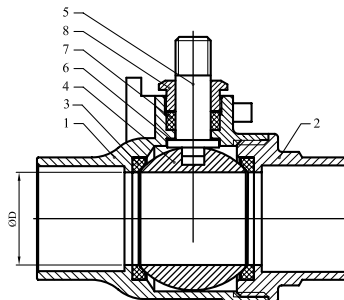
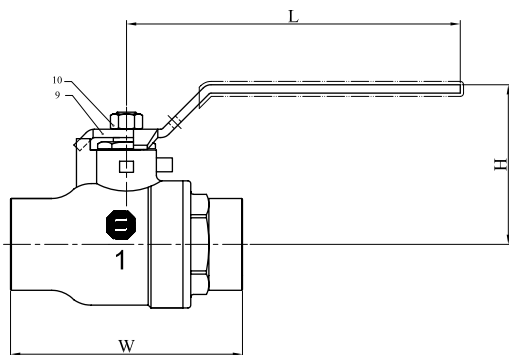


Certifications



Physical Characteristics

- Description: Full Port Ball Valve - Brass
- Connection Type: Solder x Solder
- Forged Brass Body
- Teflon seats
- Adjustable packing gland
- Handle Color: Yellow
- Max. Operating Temp. Rating: 120° F
- Max. Operating Pressure Rating: 600 PSI non-shock WOG – 150 WSP (1/2" - 2")
- Max. Operating Pressure Rating: 400 PSI non-shock WOG (2-1/2" - 4")
- Meets ANSI/NSF 61 Low Lead Requirements (1/4"-2")



*Image may vary slightly from actual product

PART NO.	SIZE	H	L	W	D
VBV-PGF-A3	1/2"	1.45	3.23	1.94	0.50
VBV-PGF-A4	3/4"	1.78	3.94	2.73	0.75
VBV-PGF-A5	1"	2.29	4.72	3.29	0.98
VBV-PGF-A6	1-1/4"	2.44	4.72	3.74	1.22
VBV-PGF-A7	1-1/2"	3.00	7.09	4.30	1.50
VBV-PGF-A8	2"	3.30	7.09	5.31	1.97
VBV-PGF-A9	2-1/2"	4.59	8.66	6.29	2.50
VBV-PGF-A10	3"	4.92	8.66	7.19	3.00
VBV-PGF-A11	4"	5.73	9.84	9.26	3.98

PA or B suffix denotes different packaging or trademark for specific private labeling

NO.	DESCRIPTION	MATERIAL
1	Body	ASTM B124 C3770
2	Cap	ASTM B124 C3770
3	Seat	PTFE
4	Ball	ASTM (B16 C36000) ASTM (B124 C37700)
5	Stem	ASTM B16 C36000
6	Thrust washer	PTFE
7	Packing	PTFE
8	Gland	ASTM B16 C36000
9	Handle	Carbon Steel
10	Nut	SS41