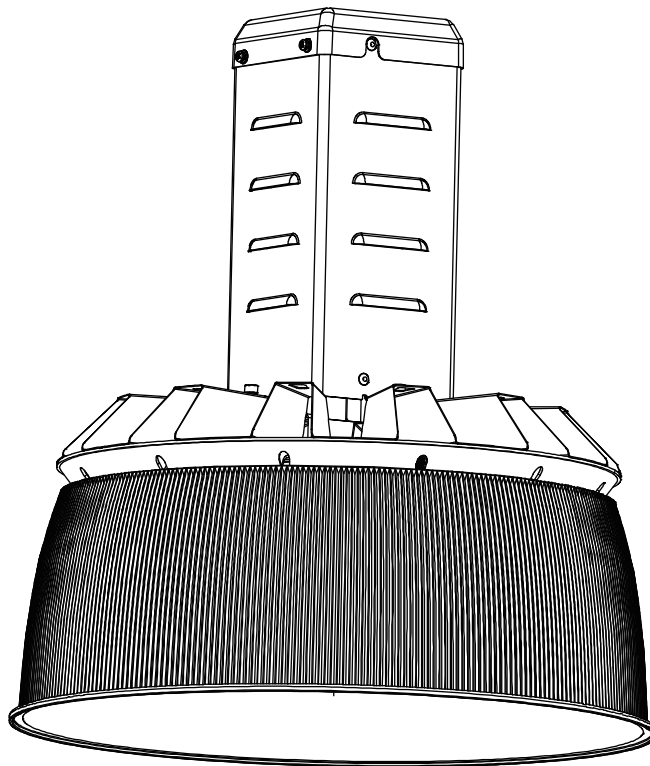


# USE AND CARE GUIDE

---

## ROUND LED HIGH BAY FIXTURE



Questions, problems, missing parts? Before returning to the store,  
call Commercial Electric Customer Service  
8 a.m. - 7 p.m., EST, Monday - Friday, 9 a.m. - 6 p.m., EST, Saturday

---

### THANK YOU

*We appreciate the trust and confidence you have placed in Commercial Electric through the purchase of this Round LED High Bay. We strive to continually create quality products designed to enhance your home. Visit us online to see our full line of products available for your home improvement needs. Thank you for choosing Commercial Electric!*

# Table of Contents


Table of Contents ..... 2  
Safety Information ..... 2  
Warranty ..... 2  
Electrical Ratings ..... 3  
Pre-Installation ..... 3  
    Tools Required ..... 3  
    Hardware Included ..... 3  
Installation ..... 4-5

# Safety Information

## For your safety, always remember to:

- Turn off the power supply at the fuse or circuit breaker box before you install the fixture.
- Ground the fixture to avoid potential electric shocks and to ensure reliable starting.
- Double-check all connections to be sure they are tight and correct.
- Wear rubber soled shoes and work on a sturdy wooden ladder.
- Account for small parts and destroy packing material, as these may be hazardous to children.

This fixture is designed for use in a circuit protected by a fuse or circuit breaker. It is also designed to be installed in accordance with local electrical codes. If you are unsure about your wiring, consult a qualified electrician or local electrical inspector, and check your local electrical code.

 **WARNING: RISK OF SHOCK.** House electric current can cause painful shock or serious injury unless handled properly.

 **WARNING:** THIS PRODUCT MUST BE INSTALLED IN ACCORDANCE WITH THE APPLICABLE INSTALLATION CODE BY A PERSON FAMILIAR WITH THE CONSTRUCTION AND OPERATION OF THE PRODUCT AND THE HAZARDS INVOLVED.

 **WARNING: MIN 75 °C SUPPLY CONDUCTORS.**

 **CAUTION:** Turn off the main power at the circuit breaker before installing the fixture, in order to prevent possible shock.

**NOTICE:** All electrical connections must be in accordance with local and National Electrical Code (N.E.C.) standards. If you are unfamiliar with proper electrical wiring connections obtain the services of a qualified electrician.

Remove the fixture and the mounting package from the box and make sure that no parts are missing by referencing the illustrations on the installation instructions.

## FCC STATEMENT

-This device complies with part 15 of the FCC Rules. Operation is subject to the following two conditions:

(1) This device may not cause harmful interference, and (2) this device must accept any interference received, including interference that may cause undesired operation.

Note: This equipment has been tested and found to comply with the limits for a Class B digital device, pursuant to part 15 of the FCC Rules. These limits are designed to provide reasonable protection against harmful interference in a residential installation. This equipment generates, uses and can radiate radio frequency energy and, if not installed and used in accordance with the instructions, may cause harmful interference to radio communications. However, there is no guarantee that interference will not occur in a particular installation. If this equipment does cause harmful interference to radio or television reception, which can be determined by turning the equipment off and on, the user is encouraged to try to correct the interference by one or more of the following measures: Reorient or relocate the receiving antenna. Increase the separation between the equipment and receiver. Connect the equipment into an outlet on a circuit different from that to which the receiver is connected. Consult the dealer or an experienced radio/TV technician for help. Any changes or modifications not expressly approved by the manufacture could void the user's authority to operate the equipment.

# Warranty

## LIMITED WARRANTY

This product is warranted to be free from defects in workmanship and materials for up to 5 years from date of purchase. If it fails to do so, please contact the Customer Service Team at 1-877-527-0313 or visit [www.HomeDepot.com](http://www.HomeDepot.com).

# Electrical Ratings

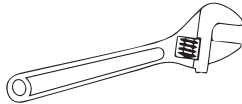
Volts (V)	Frequency (HZ)	Watts (W)	Current (mA)	Color Temperature (K)	Lumen (lm)	Life (Hrs)
120-277	50/60	285	3000	5000	30000	60000

# Pre-Installation

## TOOLS REQUIRED



Phillips  
screwdriver



Wrench

## HARDWARE INCLUDED



NOTE: Hardware not shown to actual size.



B X3(M4X16)

C X3(M4)

D X3(M4)

E X1

F X1

H X1

J X1(3/4"-14)

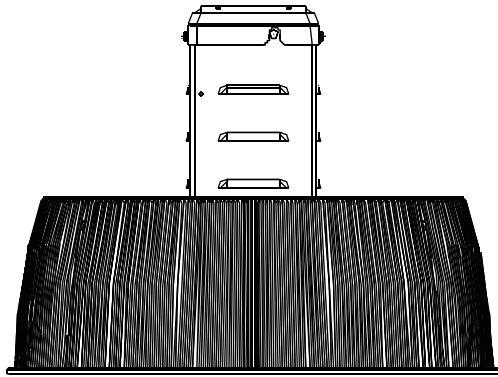
K X1(M4X6)

L X1(M4X25)

Part	Description	Quantity
A	cover	1
B	screw (M4X16)	3
C	flat washer (M4)	3
D	Nut (M4)	3
E	Boom Adapter	1
F	Hook	1
H	Wave washer	1
J	Nut (3/4 "-14)	1
K	Screw bolt (M4X6)	1
L	Screw (M4X25)	1

# Installation

- 1** Disassemble the package and take the fixture out



- 2** Attaching the Cover(A) to Fixture

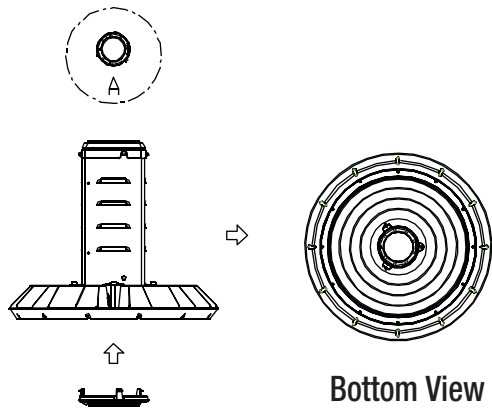


Figure 1

- 3** Screwing the shroud to the fixture

- Make sure mounting holes in the fixture align with three holes in the shroud. Screw the mounting screws(B) and washer (C) with screw nut(D) as picture.

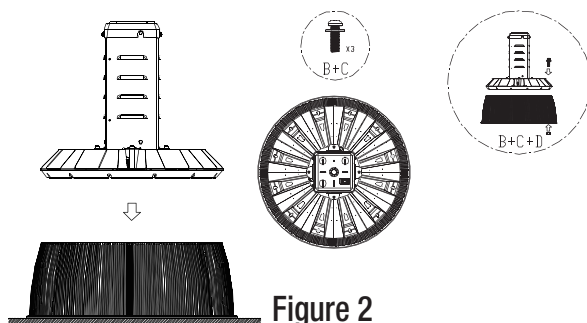


Figure 2

- 4** Connect the electrical wires from the power supply to the LED high bay fixture power supply, and 0-10V dimmer.

- Remove the rear cover from fixture as picture (Figure 3). Use a screw driver to open the knockout.
- Connect the live, neutral and ground wires through tube from power supply circuit to the terminal (Figure 5).

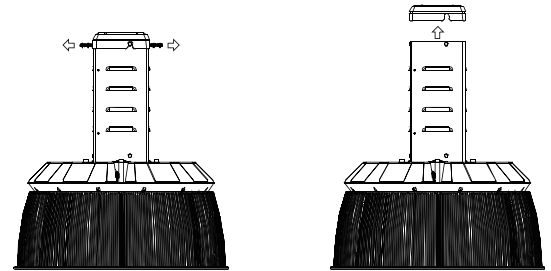


Figure 3

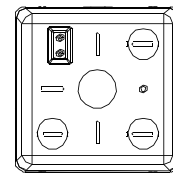


Figure 4  
Rear cover

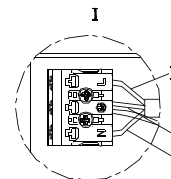
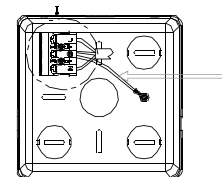


Figure 5



When making connections, please do keep the ground wire locking tight in the terminal as arrow shows.  
Note: The three wire terminal can only connect solid wire.

- 0-10V dimmer connection: Connect the two 0-10V dimming wires (Purple+ and gray-) through knockout and connect with compatible 0-10V dimmer (Figure 6). See 0-10v dimming schematic on page 6.

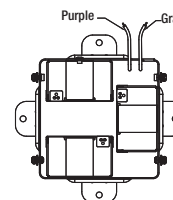
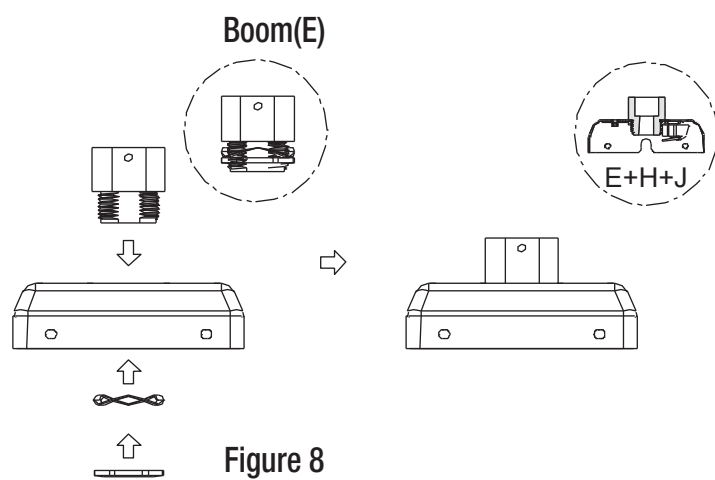
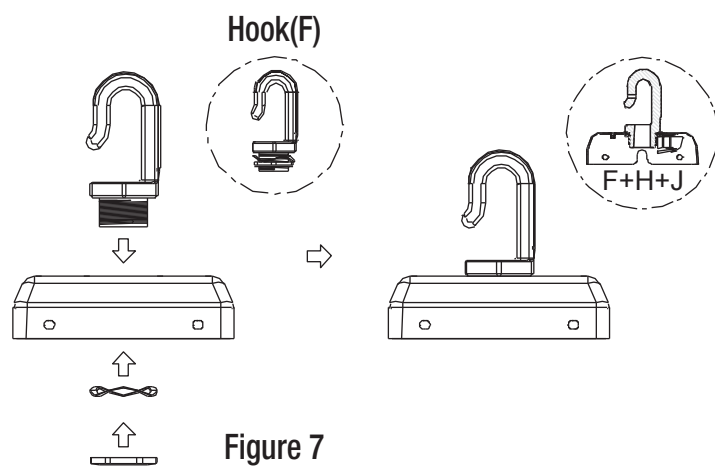


Figure 6

# Installation

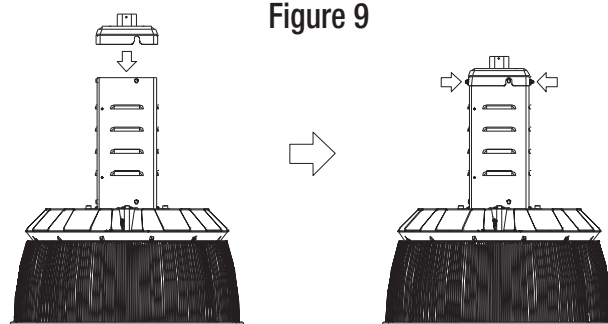
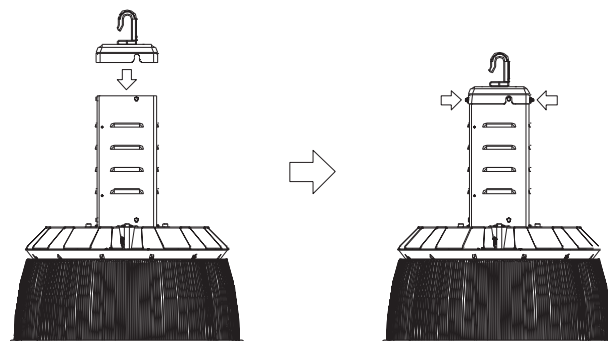
## 5 Attaching the hook/boom adapter to the Fixture

- Install the hook(F)/boom adapter(E) with washer and screw nut.  
Need to use wrench to lock tight of screw nut.



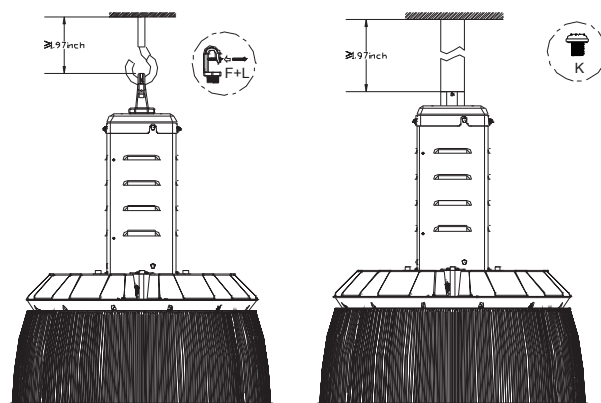
## 6 Installing the rear cover back to fixture

- Lock with screws.

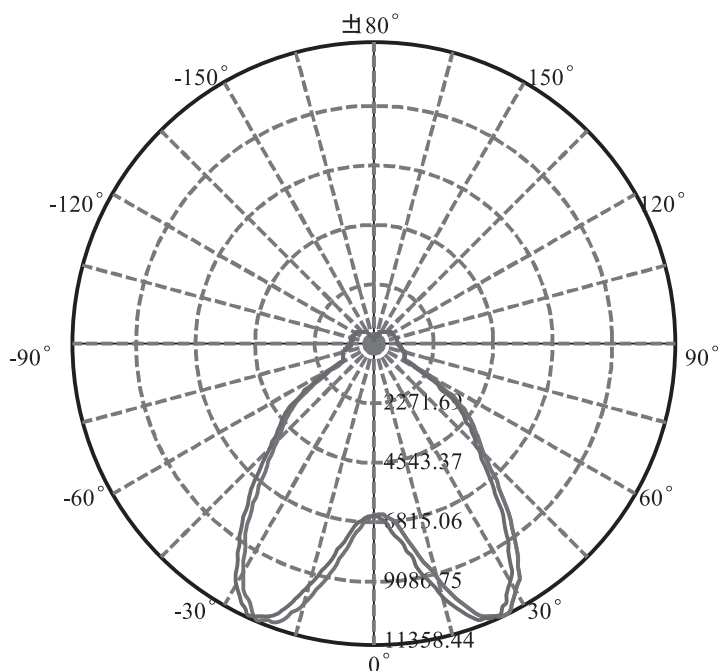


## 7 Attaching fixture to the ceiling

- Hook: After hook in the ceiling, please lock the hook with screw.  
Boom adapter: Lock the boom with screw (J).
- Note: The distance between light fixture and ceiling must at least 1.97 in.

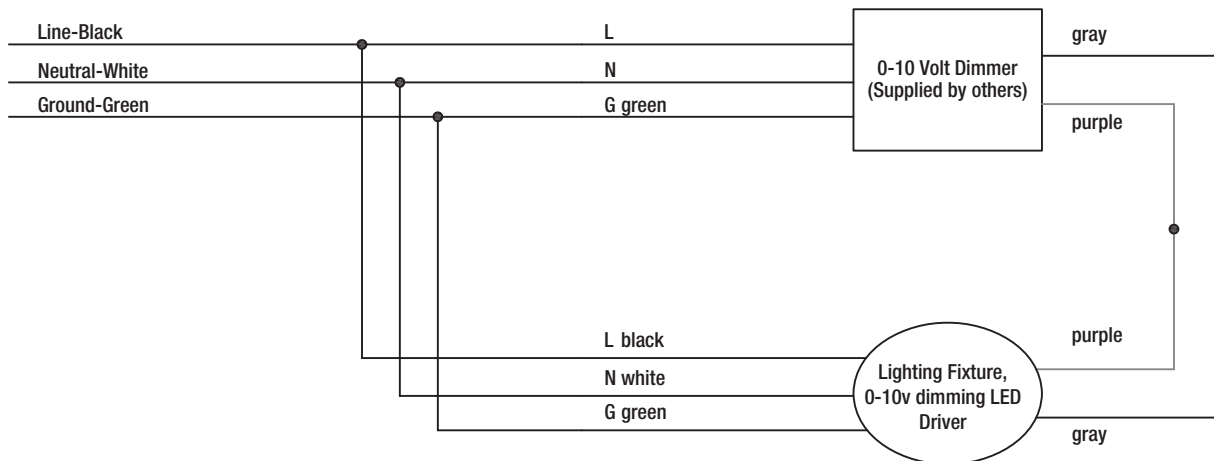


# Luminous Intensity Distribution Diagram



C0(Max): \_\_\_\_\_  
 C0/C180: \_\_\_\_\_  
 C90/C270: \_\_\_\_\_

# 0-10V Dimming Schematic



**WARNING:** Refer to Local and National Electrical codes for correctly sizing wire gauge and making the proper electrical connections and ground connections to prevent electrical shock and risk of fire. Installation requires knowledge of luminaires and electrical systems. If not qualified, do not attempt installation. Contact a qualified licensed electrician, to ensure wiring is correct and in compliance of local codes.