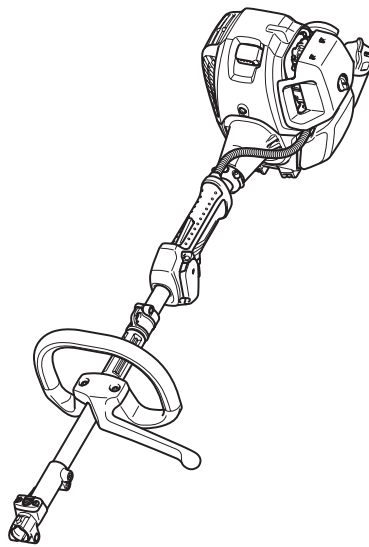




## Owner's and Safety Manual for Multi Function Power Head

## Manuel d'emploi et de sécurité de l'Outil Multi-Fonctions

## Manual de empleo y de seguridad para Multifuncional



**EX2650LH**

**⚠ WARNING:**

Read this instruction manual carefully before putting the Multi Function Power Head into operation and strictly observe the safety regulations! Any failure to follow the indications of the manual may lead to serious accidents.

Save instruction manual for future reference.

**⚠ AVERTISSEMENT :**

Lisez attentivement les instructions du présent manuel avant de vous servir de l'outil multi-fonctions et respectez à la lettre les consignes de sécurité ! Le non-respect des indications du manuel peut entraîner des accidents graves.

Conservez ce manuel d'instructions pour vous y référer ultérieurement.

**⚠ ADVERTENCIA:**

Lea este manual de instrucciones con atención antes de utilizar el multifuncional y observe estrictamente las regulaciones de seguridad! Cualquier omisión en el seguimiento de las indicaciones del manual puede resultar en accidentes graves.

Guarde el manual de instrucciones para futuras referencias.

Thank you very much for purchasing the MAKITA Multi Function Power Head. We are pleased to recommend to you the MAKITA Multi Function Power Head which is the result of a long development programme and many years of knowledge and experience.

Please read this booklet which refers in detail to the various points that will demonstrate its outstanding performance. This will assist you to obtain the best possible result from your MAKITA Multi Function Power Head.


















## Table of Contents

## Page

Symbols.....	2
Safety instructions.....	3
Technical data.....	6
Approved attachments.....	7
Designation of parts.....	8
Mounting of handle.....	9
Mounting attachment.....	9
Disassembling.....	10
Before start of operation.....	11
Correct handling of machine.....	13
Points in operation and how to stop.....	13
Servicing instructions.....	16
Storage.....	19

## SYMBOLS

You will note the following symbols when reading the instructions manual.

	Read instruction manual and follow the warnings and safety precautions!		Wear protective helmet, eye and ear protection!
	Take particular care and attention!		Fuel (Gasoline)
	Forbidden!		Engine-manual start
	No smoking!		Emergency stop
	No open flame!		First aid
	Protective gloves must be worn!		ON/START
	Wear sturdy boots with nonslip soles. Steeltod safety boots are recommended!		OFF/STOP
	Keep the area of operation clear of all persons and pets!		

## Intended use of the machine

This multi function power head is intended for driving an approved attachment listed in this instruction manual. Never use the machine for the other purpose.

# SAFETY INSTRUCTIONS

## General instructions

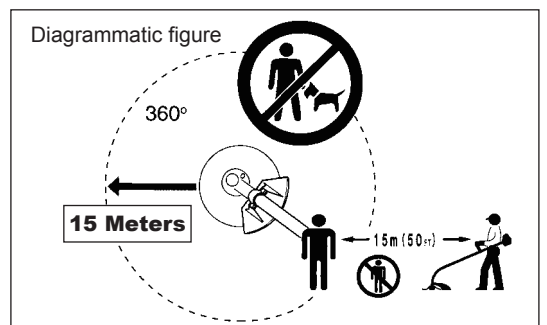
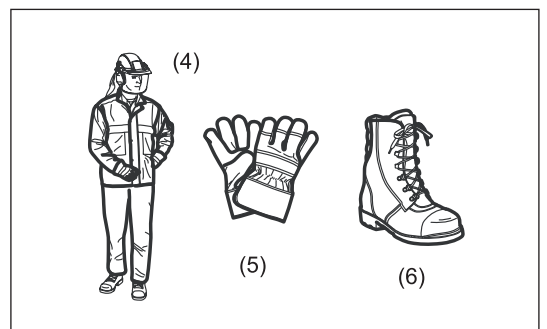
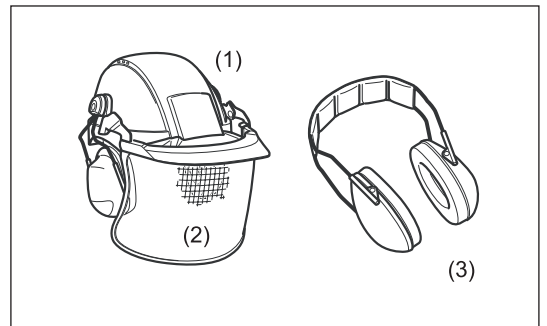
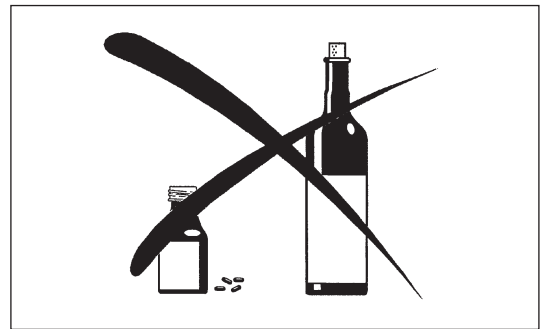
- To ensure correct operation, user has to read this instruction manual to make himself familiar with the handling of the Multi Function Power Head. Users insufficiently informed will risk danger to themselves as well as others due to improper handling.
- It is recommended only to lend the Multi Function Power Head to people who have proven to be experienced with Multi Function Power Heads. Always hand over the instruction manual.
- First users should ask the dealer for basic instructions to familiarize oneself with the handling of an engine powered cutter.
- Children and young persons aged under 18 years must not be allowed to operate the Multi Function Power Head. Persons over the age of 16 years may however use the device for the purpose of being trained only whilst under supervision of a qualified trainer.
- Use Multi Function Power Heads with the utmost care and attention.
- Operate the Multi Function Power Head only if you are in good physical condition. Perform all work calmly and carefully. The user has to accept liability for others.
- Never use the Multi Function Power Head after consumption of alcohol or drugs, or if feeling tired or ill.
- National regulation can restrict the use of the machine.

## Personal protective equipment

- The clothing worn should be functional and appropriate, i.e. it should be tight-fitting but not cause hindrance. Do not wear either jewelry or clothing which could become entangled with bushes or shrubs.
- In order to avoid either head-, eye-, hand- or foot injuries as well as to protect your hearing the following protective equipment and protective clothing must be used during operation of the Multi Function Power Head.
- Always wear a helmet where there is a risk of falling objects. The protective helmet (1) is to be checked at regular intervals for damage and is to be replaced at the latest after 5 years. Use only approved protective helmets.
- The visor (2) of the helmet (or alternatively goggles) protects the face from flying debris and stones. During operation of the Multi Function Power Head always wear goggles, or a visor to prevent eye injuries.
- Wear adequate noise protection equipment to avoid hearing impairment (ear muffs (3), ear plugs etc.).
- The work overalls (4) protect against flying stones and debris. We strongly recommend that the user wears work overalls.
- Special gloves (5) made of thick leather are part of the prescribed equipment and must always be worn during operation of the Multi Function Power Head.
- When using the Multi Function Power Head, always wear sturdy shoes (6) with a non-slip sole. This protects against injuries and ensures a good footing.

## Starting up the Multi Function Power Head

- Please make sure that there are no children or other people, also pay attention to any animals in the working vicinity.
- Make sure that the attachment is attached in place, the control lever for easy action and check for proper functioning of the lock-off lever.
- Motion of the attachment during idling speed is not allowed. Check with your dealer for adjustment if in doubt. Check for clean and dry handles and test the function of the start/stop switch.

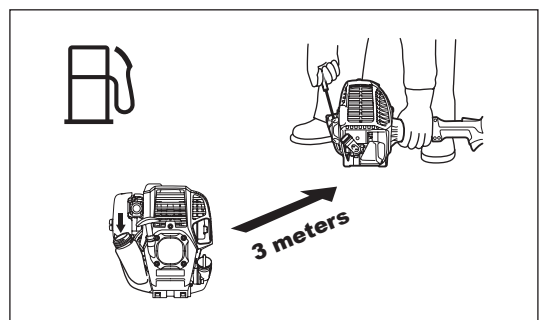
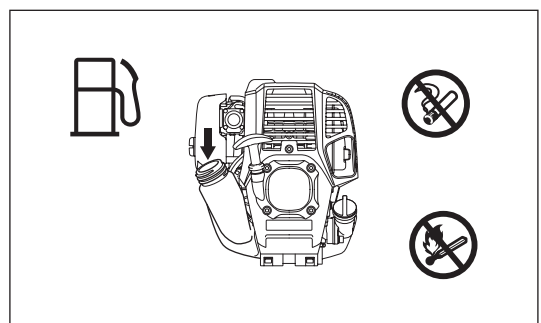
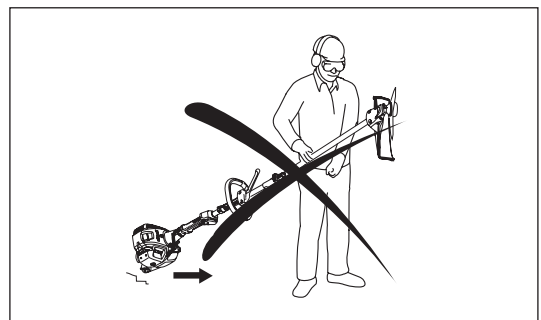
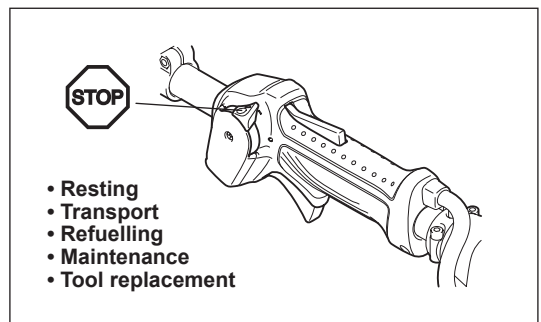
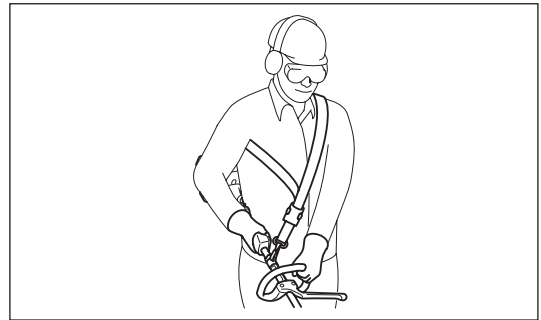
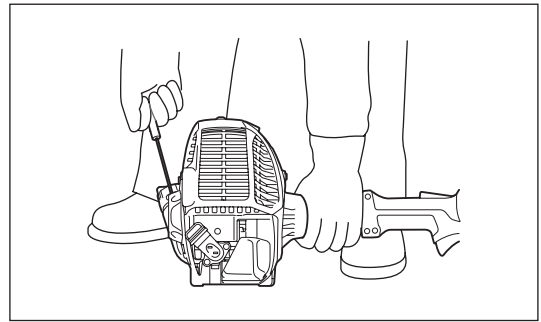


Start the Multi Function Power Head only in accordance with the instructions.

- Do not use any other methods for starting the engine!
- Use the Multi Function Power Head and the tools only for such applications as specified.
- Only start the Multi Function Power Head engine, after the entire assembly is done. Operation of the device is only permitted after all the appropriate accessories are attached!
- Before starting make sure that the attachment has no contact with hard objects such as branches, stones etc. as the attachment will revolve when starting.
- The engine is to be switched off immediately in case of any engine problems.
- Should the attachment hit stones or other hard objects, immediately switch off the engine and inspect the attachment.
- Operate the Multi Function Power Head only with the shoulder strap attached which is to be suitably adjusted before putting the Multi Function Power Head into operation. It is essential to adjust the shoulder strap according to the user size to prevent fatigue occurring during use. Never hold the cutter with one hand during use.
- During operation always hold the Multi Function Power Head with both hands. Always ensure a safe footing.
- Operate the Multi Function Power Head in such a manner as to avoid inhalation of the exhaust gases. Never run the engine in enclosed rooms (risk of gas poisoning). Carbon monoxide is an odorless gas.
- Switch off the engine when resting and when leaving the Multi Function Power Head unattended, and place it in a safe location to prevent danger to others or damage to the machine.
- Never put the hot Multi Function Power Head onto dry grass or onto any combustible materials.
- All protective installations and guards supplied with the machine must be used during operation.
- Never operate the engine with faulty exhaust muffler.
- Shut off the engine during transport.
- During transport over long distances the tool protection included with the equipment must always be used.
- Ensure safe position of the Multi Function Power Head during car transportation to avoid fuel leakage.
- When transporting the Multi Function Power Head, ensure that the fuel tank is completely empty.
- When unloading the Multi Function Power Head from the truck, never drop the engine to the ground or this may severely damage the fuel tank.
- Except in case of emergency, never drop or cast the Multi Function Power Head to the ground or this may severely damage the Multi Function Power Head.
- Remember to lift the entire equipment from the ground when moving the equipment. Dragging the fuel tank is highly dangerous and will cause damage and leakage of fuel, possibly causing fire.
- If the equipment gets heavy impact or fall, check the condition before continuing work. Check the fuel system for fuel leakage and the controls and safety devices for malfunction. If there is any damage or doubt, ask our authorized service center for the inspection and repair.

**Refuelling**

- Shut off the engine during refuelling, keep away from open flames and do not smoke.
- Avoid skin contact with mineral oil products. Do not inhale fuel vapor. Always wear protective gloves during refuelling. Change and clean protective clothing at regular intervals.
- Take care not to spill either fuel or oil in order to prevent soil contamination (environmental protection). Clean the Multi Function Power Head immediately after fuel has been spilt.
- Avoid any fuel contact with your clothing. Change your clothing instantly if fuel has been spilt on it (to prevent clothing catching fire).
- Inspect the fuel cap at regular intervals making sure that it can be securely fastened and does not leak.
- Carefully tighten the fuel tank cap. Change location to start the engine (at least 3 meters away from the place of refuelling).
- Never refuel in closed rooms. Fuel vapors accumulate at ground level (risk of explosions).
- Only transport and store fuel in approved containers. Make sure the fuel stored is not accessible to children.

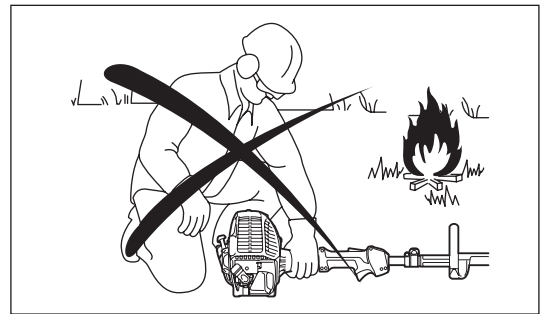


## Method of operation

- Only use the Multi Function Power Head in good light and visibility. During the winter season beware of slippery or wet areas, ice and snow (risk of slipping). Always ensure a safe footing.
- Never stand on a ladder and run the Multi Function Power Head.
- Never climb up into trees to perform cutting operation with the Multi Function Power Head.
- Never work on unstable surfaces.
- Before using attachment, the attachment must have reached full working speed.
- Take a rest to prevent loss of control caused by fatigue. We recommend to take a 10 to 20-minute rest every hour.

## Maintenance instructions

- Have your equipment serviced by our authorized service center, always using only genuine replacement parts. Incorrect repair and poor maintenance can shorten the life of the equipment and increase the risk of accidents.
- Operate the Multi Function Power Head with as little noise and contamination as possible. In particular check the correct setting of the carburetor.
- Clean the Multi Function Power Head at regular intervals and check that all screws and nuts are well tightened.
- Never service or store the Multi Function Power Head in the vicinity of naked flames.
- Always store the Multi Function Power Head in locked rooms and with an emptied fuel tank.



Observe the relevant accident prevention instructions issued by the relevant trade associations and by the insurance companies. Do not perform any modifications on the Multi Function Power Head as this will endanger your safety.

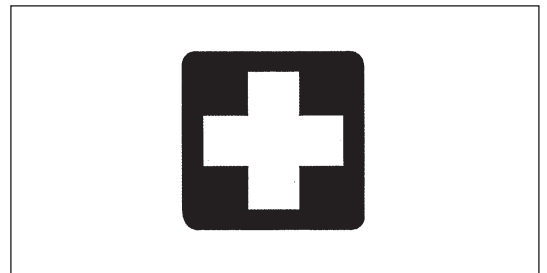
The performance of maintenance or repair work by the user is limited to those activities as described in the instruction manual. All other work is to be done by an Authorized Service Agent. Use only genuine spare parts and accessories released and supplied by MAKITA. Use of non-approved accessories and tools means increased risk of accidents. MAKITA will not accept any liability for accidents or damage caused by the use of non-approved attachments and fixing devices of attachments, or accessories.

## First aid

In case of accident make sure that a first-aid box is available in the vicinity of the cutting operations. Immediately replace any item taken from the first aid box.

## When asking for help, please give the following information:

- Place of accident
- What happened
- Number of injured persons
- Kind of injuries
- Your name



## Vibration

- People with poor circulation who are exposed to excessive vibration may experience injury to blood vessels or the nervous system. Vibration may cause the following symptoms to occur in the fingers, hands or wrists: "Falling asleep" (numbness), tingling, pain, stabbing sensation, alteration of skin color or of the skin. If any of these symptoms occur, see a physician!
- To reduce the risk of "white finger disease", keep your hands warm during operation and well maintain the equipment and accessories.

## TECHNICAL DATA EX2650LH

Model	EX2650LH	
Handle type	Loop handle	
Dimensions: length x width x height (without cutting blade) with barrier	inch (mm)	38-3/8"x12-3/4"x9-1/2" (975 x 323 x 241)
Dimensions: length x width x height (without cutting blade) without barrier	inch (mm)	38-3/8"x9-1/2"x9-1/2" (975 x 242 x 241)
Mass (without plastic guard and cutting blade)	lbs (kg)	10 (4.6)
Volume (fuel tank)	fl.oz (L)	20.3 (0.6)
Volume (oil reservoir)	fl.oz (L)	2.7 (0.08)
Engine displacement	cu.in (cm <sup>3</sup> )	1.5 (25.4)
Maximum engine performance	hp (kw)	1.1 (0.77) at 7,000 RPM
Engine speed at recommended max. spindle speed	RPM (1/min)	10,000
Idling speed	RPM (1/min)	3,000
Clutch engagement speed	RPM (1/min)	3,900
Carburetor	Diaphragm type	
Ignition system	Non-contact, magnet type	
Spark plug	type	NGK CMR4A
Electrode gap	inch (mm)	0.028" - 0.032" (0.7 - 0.8)
Fuel	Automobile gasoline (petrol)	
Engine oil	API grade SF class or higher, SAE 10W-30 oil (automobile 4-stroke engine oil)	

(For Canada)

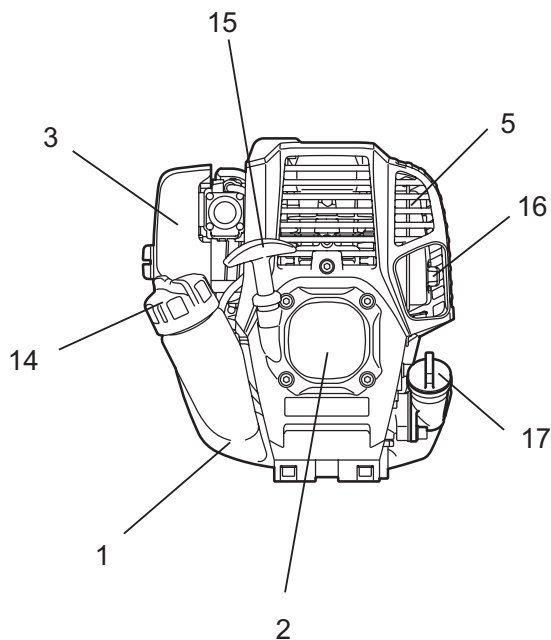
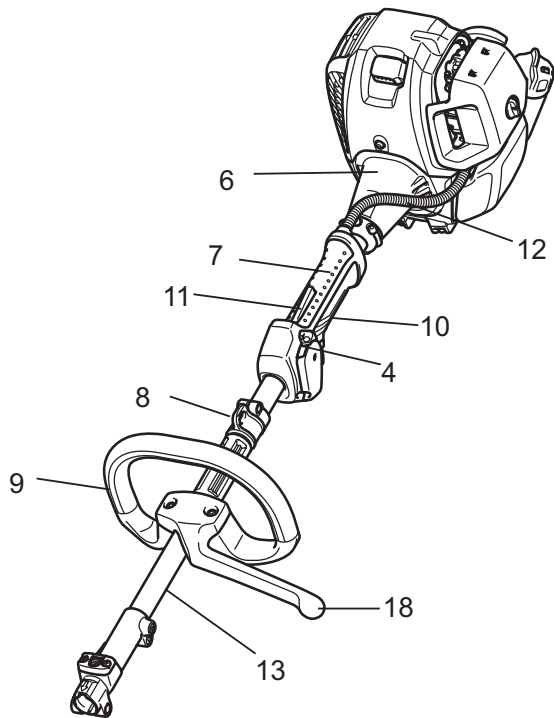
NOTE: This spark ignition system complies with the Canadian standard ICES-002.

## **APPROVED ATTACHMENTS**

ATTACHMENTS	Models
Brushcutter Attachment	EM400MP, EM401MP, EM403MP, EM404MP
String Trimmer Attachment	ER400MP, EM405MP, EM406MP
Pole Saw Attachment	EY400MP, EY401MP
Hedge Trimmer Attachment	EN400MP, EN401MP, EN410MP
Ground Trimmer Attachment	EN420MP
Cultivator Attachment	KR400MP
Coffee Harvester Attachment	EJ400MP
Edger Attachment	EE400MP
Shaft Extension Attachment	LE400MP

## DESIGNATION OF PARTS

### EX2650LH



GB	DESIGNATION OF PARTS
1	Fuel tank
2	Rewind starter
3	Air cleaner
4	I-O switch (on/off)
5	Exhaust muffler
6	Clutch case
7	Rear grip
8	Hanger
9	Handle
10	Throttle lever
11	Lock-off lever
12	Control cable
13	Shaft
14	Fuel filler cap
15	Starter knob
16	Exhaust pipe
17	Oil cap
18	Barrier*

Note: In some countries, the barrier is not provided with the tool.



## MOUNTING OF HANDLE

CAUTION: Before doing any work on the Multi Function Power Head, always stop the engine and pull the spark plug connector off the spark plug. Always wear protective gloves!

CAUTION: Start the Multi Function Power Head only after having assembled it completely.

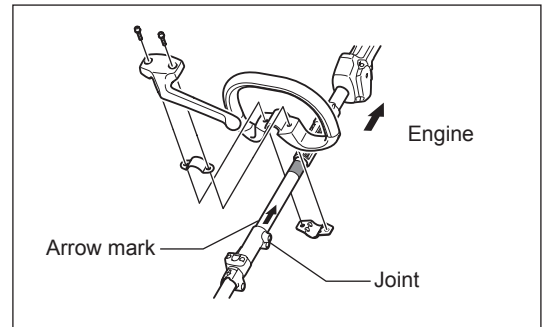


### Assembling loop handle

- Securely fit the barrier and grip onto the shaft pipe with two screws and clamps. At this time, put the barrier on the left side of the machine as illustrated.
- Make sure that the grip/barrier assembly is located between the spacer and the arrow mark. Do not remove or shrink the spacer.
- Once assembled, do not remove the barrier.

CAUTION: Never install the grip on the label or joint.

Note: In some countries, the barrier and arrow mark are not provided with the tool.



## MOUNTING ATTACHMENT

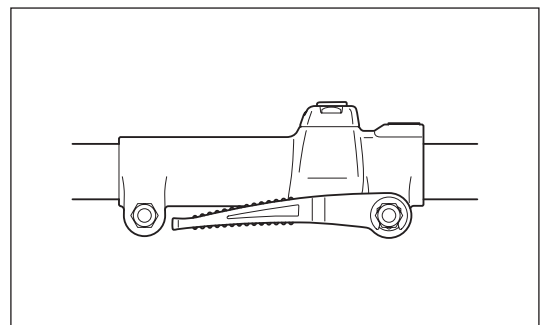
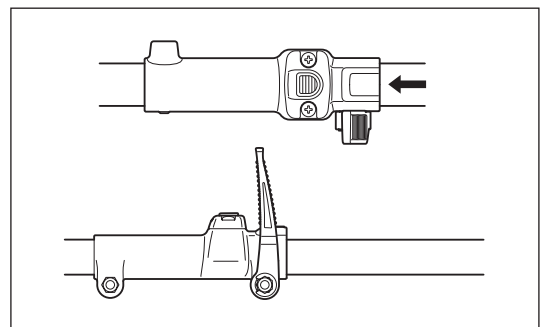
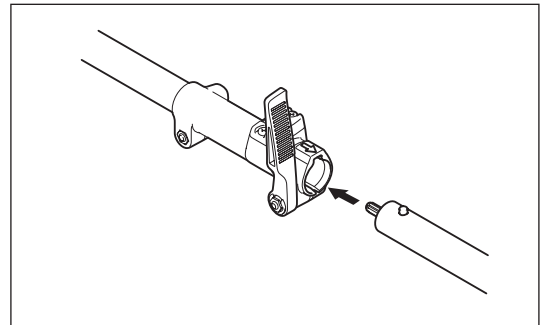
CAUTION: Before doing any work on the Multi Function Power Head, always stop the engine and pull the spark plug connector off the spark plug. Always wear protective gloves!

CAUTION: Start the Multi Function Power Head only after having assembled it completely.



### Assembly

- Loosen lever.
- Align the attachment's pin with the joint's groove and insert pin.
- Insert attachment up to the arrow position of attachment. And, check to see that button has risen.
- Tighten lever.  
(See diagram on right for guideline.)

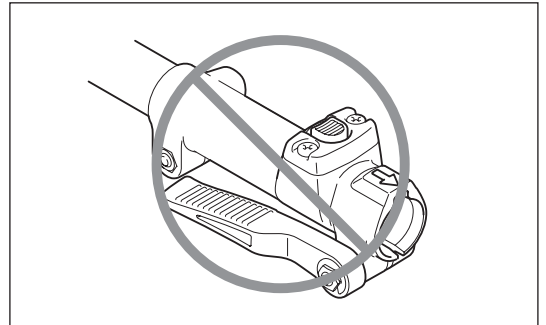
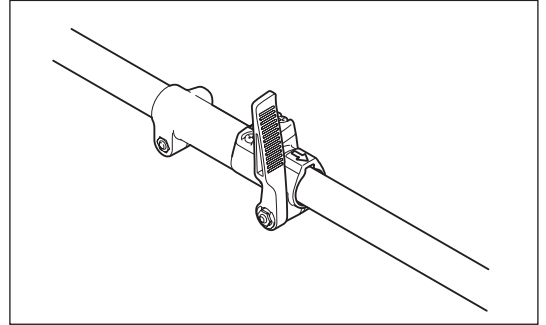


## **DISASSEMBLING**

- Loosen lever.
- Press button and extract attachment.  
(As much as possible, try to extract the attachment in a straight line.)

**Note:**

- Do not leave the lever in a tightened state when attachment is not attached.



## BEFORE START OF OPERATION

### Inspection and refill of engine oil

- Perform the following procedure, with the engine cooled down.
- Set the engine level, remove oil cap (Fig. 1), and check to see whether or not there is oil in the range between the upper limit and lower limit marks of the oil pipe (Fig. 2).
- Top up with oil to upper limit mark if oil is insufficient (oil level is close to lower limit mark) (Fig. 3).
- The area surrounding the external marks is transparent, so the amount of oil inside can be checked without having to remove the oil cap. However, if oil pipe becomes extremely dirty, visibility may be lost, and oil level will have to be checked against stepped section on inside of oil pipe.
- For reference, the oil refill time is about 10h (every 10 refuellings).  
If the oil changes in color or mixes with dirt, replace it with new one. (For the interval and method of replacement, refer to P 16)

**Recommended oil:** SAE 10W-30 oil of API Classification, Class SF or higher (4-stroke engine for automobile)

**Oil volume:** Approx. 0.08L

Note: If the engine is not kept upright, oil may go into around the engine, and may be refilled excessively.  
If the oil is filled above the limit, the oil may be contaminated or may catch fire with white smoke.

#### Point 1 in Replacement of oil: "Oil cap"

- Remove dust or dirt near the oil refill port, and detach the oil cap.
- Keep the detached oil cap free of sand or dust. Otherwise, any sand or dust adhering to the oil cap may cause irregular oil circulation or wear on the engine parts, which will result in troubles.

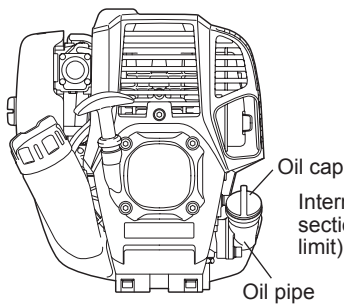


Fig. 1

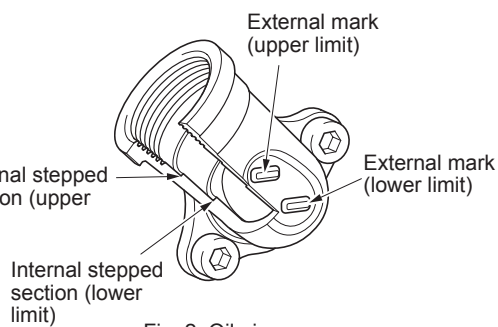


Fig. 2 Oil pipe

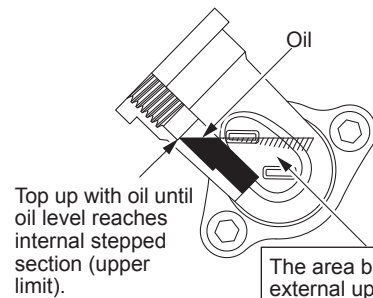
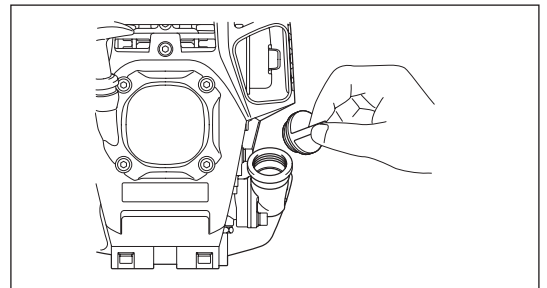


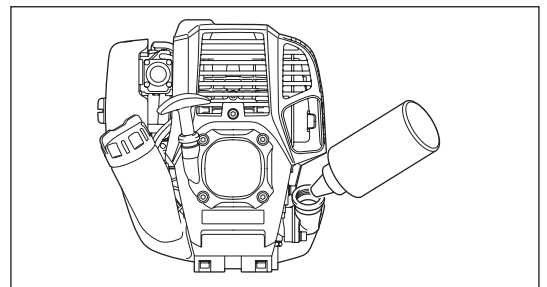
Fig. 3

The area between the external upper and lower limits is transparent, so oil level can be checked externally against these marks.

- (1) Keep the engine level, and detach the oil cap.



- (2) Fill with oil to upper limit mark. (see Fig. 3)  
Use oil bottle when filling.



- (3) Securely tighten the oil cap. Insufficient tightening may cause oil leakage.

### Note

- Do not replace oil with the engine in a tilted position.
- Filling with oil while engine is tilted leads to overfilling which causes oil contamination and/or white smoke.

### Point 2 in Replacement of oil: "If oil spills out"

- If oil spills out between the fuel tank and engine main unit, the oil is sucked into through the cooling air intake port, which will contaminate the engine. Be sure to wipe out spilt oil before start of operation.

## REFUELING

### Handling of fuel

It is necessary to handle fuel with utmost care. Fuel may contain substances similar to solvents. Refueling must be performed in a sufficiently ventilated room or in the open air. Never inhale fuel vapor, and keep fuel away from you. If you touch fuel repeatedly or for a long time, the skin becomes dry, which may cause skin disease or allergy. If fuel enters into the eye, clean the eye with fresh water. If your eye remains still irritated, consult your doctor.

### Storage period of fuel

Fuel should be used up within a period of 4 weeks, even if it is kept in a special container in a well-ventilated shade. If a special container is not used or if the container is not covered, fuel may deteriorate in one day.

### STORAGE OF MACHINE AND REFILL TANK

- Keep the machine and tank at a cool place free from direct sunshine.
- Never keep the fuel in the cabin or trunk.

## Fuel

The engine is a four-stroke engine. Be sure to use an automobile gasoline (regular gasoline or premium gasoline).

### Points for fuel

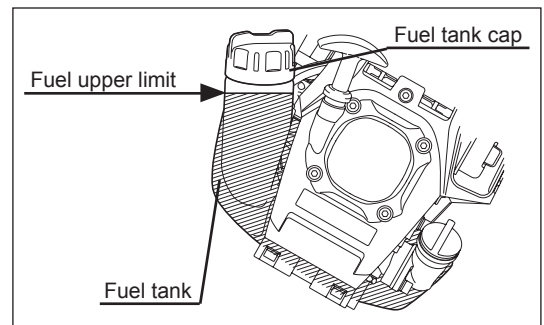
- Never use a gasoline mixture which contains engine oil. Otherwise, it will cause excessive carbon accumulation or mechanical troubles.
- Use of deteriorated oil will cause irregular startup.

## Refueling

### WARNING: INFLAMMABLES STRICTLY PROHIBITED

**Gasoline used:** Automobile gasoline (unleaded gasoline)

- Loosen the tank cap a little so that there will be no difference in atmospheric pressure.
  - Detach the tank cap, and refuel, discharging air by tilting the fuel tank so that the refuel port will be oriented upward. (Never refill fuel full to the oil refill port.)
  - Wipe well the periphery of the tank cap to prevent foreign matter from entering into the fuel tank.
  - After refueling, securely tighten the tank cap.
- 
- If there is any flaw or damage on the tank cap, replace it.
  - The tank cap is consumable, and therefore should be renewed every two to three years.



## CORRECT HANDLING OF MACHINE

### Attachment of shoulder strap

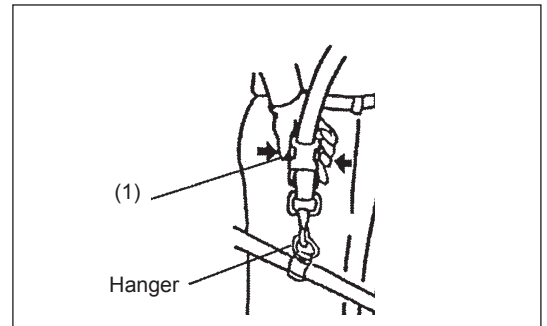
- Adjust the strap to the suitable length for your operation.

### Detachment

- In an emergency, push the notches (1) at both sides, and you can detach the machine from you.

Be extremely careful to maintain control of the machine at this time. Do not allow the machine to be deflected toward you or anyone in the work vicinity.

**WARNING:** Failure to maintain complete control of the machine at all could result in serious bodily injury or DEATH.



## POINTS IN OPERATION AND HOW TO STOP

Observe the applicable accident prevention regulations!

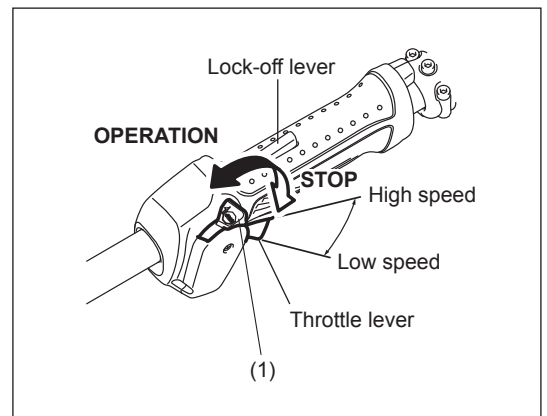


### STARTING

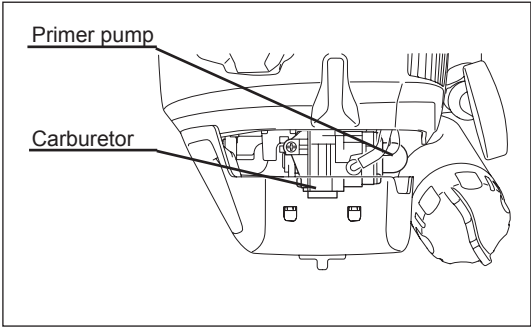
Move at least 3 m away from the place of refuelling. Place the Multi Function Power Head on a clean piece of ground taking care that the attachment does not come into contact with the ground or any other objects.

#### A: Cold start

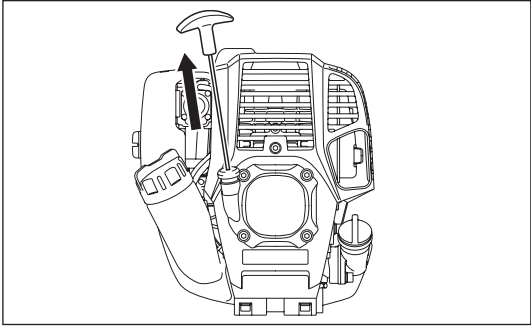
- 1) Set this machine on a flat space.
- 2) Set the I-O switch (1) to OPERATION.



- 3) Primer pump  
Continue to push the primer pump until fuel enters into the primer pump.  
(In general, fuel enters into the primer pump by 7 to 10 pushes.)  
If the primer pump is pushed excessively, an excess of gasoline returns to the fuel tank.



- 4) Recoil starter  
Pull the start knob gently until it is hard to pull (compression point). Then, return the start knob, and pull it strongly.  
Never pull the rope to the full. Once the start knob is pulled, never release your hand immediately. Hold the start knob until it returns to its original point.
- 5) Warm-up operation  
Continue warm-up operation for 2 to 3 minutes.



Note: In case of excessive fuel intake, remove the spark plug and pull the starter handle slowly to remove excess fuel. Also, dry the electrode section of the spark plug.

**Caution during operation:**

If the throttle lever is opened fully in a no-load operation, the engine rotation is increased to 10,000 min<sup>-1</sup> or more. Never operate the engine at a higher speed than required and at an approximate speed of 6,000 - 8,500 min<sup>-1</sup>.

**B: Startup after warm-up operation**

- 1) Push the primer pump repeatedly.
- 2) Keep the throttle lever at the idling position.
- 3) Pull the recoil starter strongly.
- 4) If it is difficult to start the engine, open the throttle by about 1/3.  
Pay attention to the attachment which may rotate.

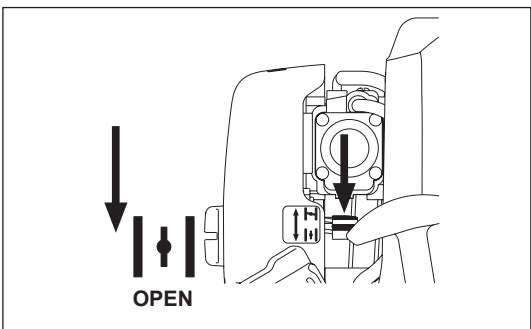
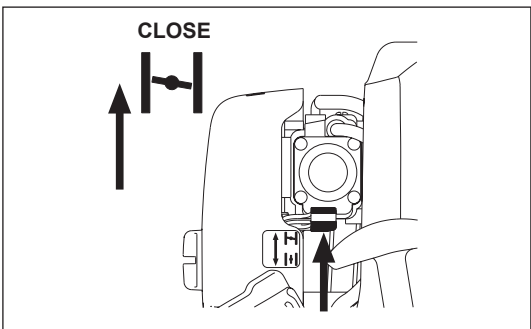
**At times, such as winter, when starting the engine is difficult**

Operate choke lever with the following procedure when starting engine.

- After implementing startup steps 1) to 3), set choke lever to the CLOSE position.
- Implement startup step 4) and start engine.
- Once engine starts, set choke lever to the OPEN position.
- Implement startup step 5) and complete warm up.

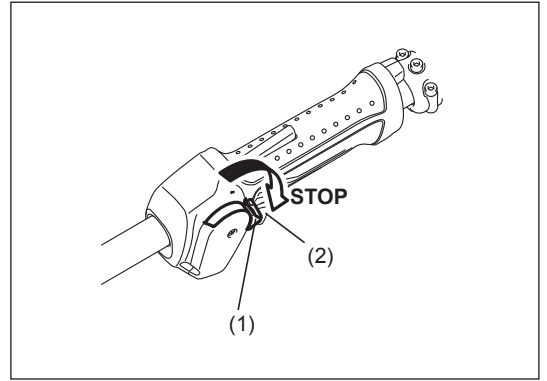
CAUTION: If a bang (explosive sound) is heard and the engine stops, or the just-started engine stalls before the choke lever is operated, return the choke lever to the OPEN position, and pull the starter knob a few times again to start the engine.

CAUTION: If the choke lever is left in the CLOSE position, and the starter knob merely pulled repeatedly, too much fuel will be sucked in, and the engine will become difficult to start.



## STOPPING

- 1) Release the throttle lever (2) fully, and when the engine rpm has lowered, set the I-O switch to STOP the engine will now stop.
- 2) Be aware that the attachment may not stop immediately and allow it to slow down fully.

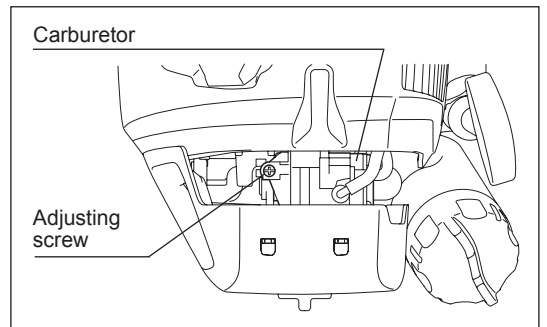


## ADJUSTMENT OF LOW-SPEED ROTATION (IDLING)

When it is necessary to adjust the low-speed rotation (idling), perform it by the carburetor adjusting screw.

### CHECKUP OF LOW-SPEED ROTATION

- Set the low-speed rotation to 3,000 min<sup>-1</sup>.  
If it is necessary to change the rotation speed, regulate the adjusting screw (illustrated on the right), with Phillips screwdriver.
- Turn the adjusting screw to the right, and the engine rotation will increase.  
Turn the adjusting screw to the left, and the engine rotation will drop.
- The carburetor is generally adjusted before shipment. If it is necessary to readjust it, please contact Authorized Service Agent.



## SERVICING INSTRUCTIONS

**CAUTION:** Before doing any work on the Multi Function Power Head, always stop the engine and pull the plug cap off the spark plug (see "checking the spark plug").

Always wear protective gloves!

Never use gasoline, benzene, thinner, alcohol or the like. Discoloration, deformation or cracks may result.

To ensure a long service life and to avoid any damage to the equipment, the following servicing operations should be performed at regular intervals.

### Daily checkup and maintenance

- Before operation, check the machine for loose screws or missing parts. Pay particular attention to a specified attachment for mounting in place securely.
- Before operation, always check for clogging of the cooling air passage and the cylinder fins. Clean them if necessary.
- Perform the following work daily after use:
  - Clean the Multi Function Power Head externally and inspect for damage.
  - Clean the air filter. When working under extremely dusty conditions, clean the filter several times a day.
  - Check that there is sufficient difference between idling and engagement speed to ensure that the attachment is at a standstill while the engine is idling (if necessary reduce idling speed).  
If under idling conditions the tool should still continue to run, consult your nearest Authorized Service Agent.
- Check the functioning of the I-O switch, the lock-off lever and the control lever.

### REPLACEMENT OF ENGINE OIL

Deteriorated engine oil will shorten the life of the sliding and rotating parts to a great extent. Be sure to check the period and quantity of replacement.



**ATTENTION:** In general, the engine main unit and engine oil still remain hot just after the engine is stopped. In replacement of oil, confirm that the engine main unit and engine oil are sufficiently cooled down. Otherwise, there may remain a risk of scald.

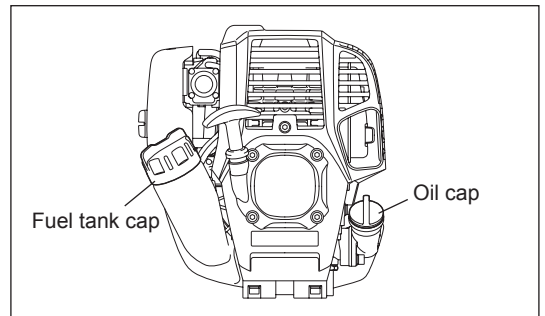
**Note:** If the oil filled above the limit, it may be contaminated or may catch fire with white smoke.

**Interval of replacement:** Initially, every 20 operating hours, and subsequently every 50 operating hours

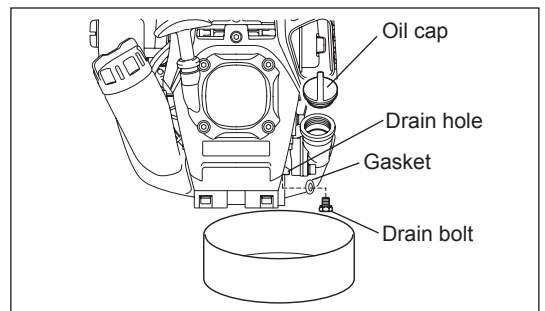
**Recommended oil:** SAE10W-30 oil of API Classification SF Class or higher (4-stroke engine oil for automobile)

In replacement, perform the following procedure.

- 1) Confirm that the fuel tank cap is tightened securely.
- 2) Place large container (pan, etc.) under drain hole.



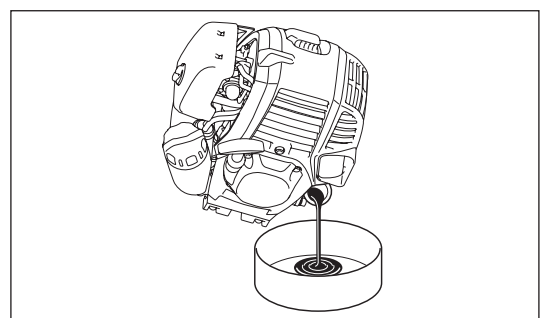
- 3) Remove drain bolt and then remove oil cap to drain out oil from drain hole. At this time, be sure not to mislay drain bolt's gasket, or to make dirty any of the removed components.
- 4) Once all the oil has been drained, combine gasket and drain bolt, and tightly secure drain bolt, so that it will not loosen and cause leaks.  
\* Use cloth to fully wipe off any oil attached to bolt and equipment.



#### Alternative draining method

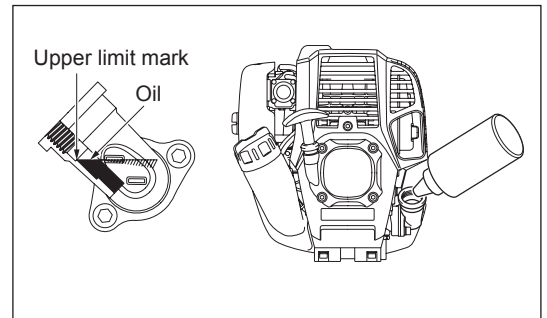
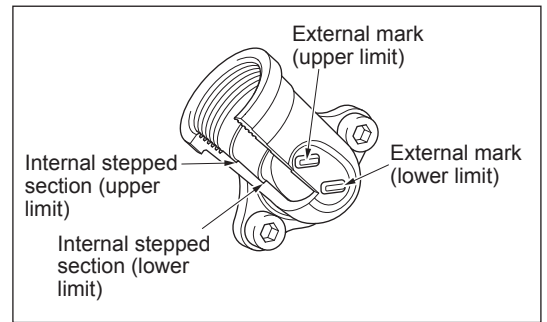
Remove oil cap, tilt Multi Function Power Head toward oil filler hole, and drain out oil.

Collect oil in container.





- 5) Set the engine level, and gradually fill up to upper limit mark with new oil.
- 6) After filling, tightly secure oil cap, so that it will not loosen and cause leaks. If oil cap is not tightly secured, it may leak.



### POINTS ON OIL

- Never discard replaced engine oil in garbage, earth or sewage ditch. Disposal of oil is regulated by law. In disposal, always follow the relevant laws and regulations. For any points remaining unknown, contact Authorized Service Agent.
- Oil will deteriorate even when it is kept unused. Perform inspection and replacement at regular intervals (replace with new oil every 6 months).

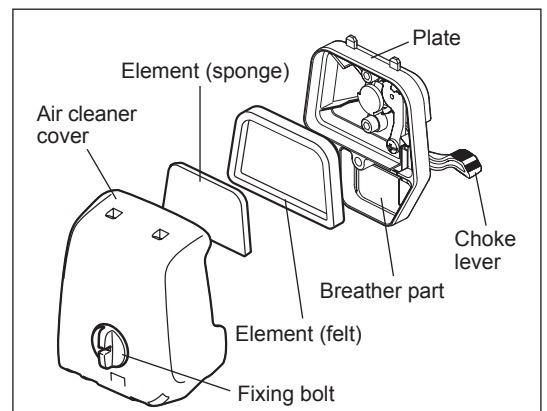
### CLEANING OF AIR CLEANER



**DANGER: INFLAMMABLES STRICTLY PROHIBITED**

**Interval of cleaning and inspection: Daily (every 10 operating hours)**

- Turn the choke lever to the full close side, and keep the carburetor off from dust or dirt.
- Loosen the fixing bolt.
- Remove the air cleaner cover by pulling its bottom side.
- Remove the elements and tap them to remove dirt.
- If the elements are heavily contaminated: Remove the elements, immerse them in warm water or in water-diluted neutral detergent, and dry them completely. Do not squeeze or rub them when washing.
- Before attaching the elements, be sure to dry them completely. Insufficient drying of the elements may lead to difficult startup.
- Wipe out oil adhering around the air cleaner cover and the breather part with waste cloth.
- Fit the element (sponge) into the element (felt).
- Fit the elements into the plate so that the sponge faces the air cleaner cover.
- Immediately attach the cleaner cover and tighten it with fixing bolts. (In remounting, first place the upper claw, and then the lower claw.)



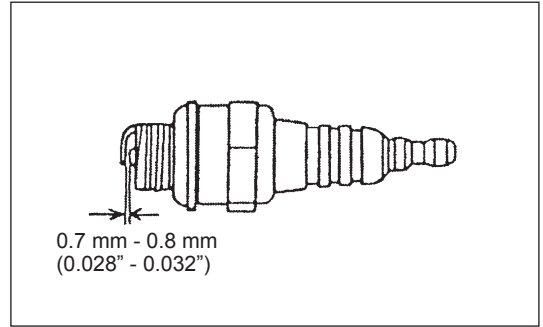
### NOTICE:

- Clean the elements several times a day, if excessive dust adheres to it. Dirty elements reduce engine power and make starting engine difficult.
- Remove oil on the elements. If operation continues with the elements remaining not cleared of oil, oil in the air cleaner may fall outside, resulting in contamination of the environment.
- Do not put the elements on the ground or dirty place. Otherwise they pick up dirt or debris and it may damage the engine.
- Never use fuel for cleaning the elements. Fuel may damage them.

## CHECKING THE SPARK PLUG

- Only use the supplied universal wrench to remove or to install the spark plug.
- The gap between the two electrodes of the spark plug should be 0.7 - 0.8 mm (0.028" - 0.032"). If the gap is too wide or too narrow, adjust it. If the spark plug is clogged or contaminated, clean it thoroughly or replace it.

**CAUTION:** Never touch the spark plug connector while the engine is running (danger of high voltage electric shock).



## CLEANING OF FUEL FILTER

### WARNING: INFLAMMABLES STRICTLY PROHIBITED

Interval of cleaning and inspection: Monthly (every 50 operating hours)

### Suction head in the fuel tank

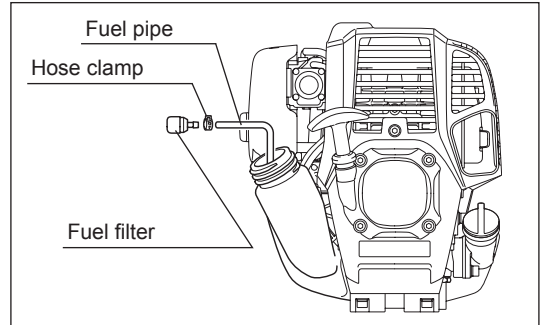
Check the fuel filter periodically. To check the fuel filter, follow the steps below.

- (1) Remove the fuel tank cap, drain the fuel to empty the tank. Check the tank inside for any foreign materials. If any, remove them.
- (2) Pull out the suction head by using a wire hook through the tank opening.
- (3) If the fuel filter clogged slightly, clean it. To clean it, gently shake and tap it in fuel. To avoid damage, do not squeeze or rub it. The fuel used for the cleaning must be disposed in accordance with the method specified by regulations in your country.

If the fuel filter became hard or heavily clogged up, replace it.

- (4) After checking, cleaning or replacing, push the fuel filter in all the way to the bottom of the fuel tank.

Clogged or damaged fuel filter can cause insufficient fuel supply and reduce engine power. Replace the fuel filter at least quarterly to ensure satisfactory fuel supply to the carburetor.



## REPLACEMENT OF FUEL PIPE

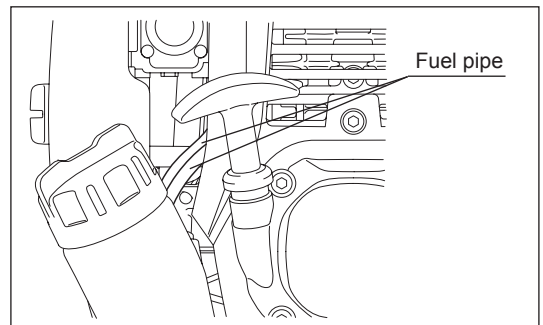
### CAUTION: INFLAMMABLES STRICTLY PROHIBITED

Interval of cleaning and inspection: Daily (every 10 operating hours)

Replacement: Annually (every 200 operating hours)

Replace the fuel pipe every year, regardless of operating frequency. Fuel leakage may lead to fire.

If any leakage is detected during inspection, replace the fuel pipe immediately.



## INSPECTION OF BOLTS, NUTS AND SCREWS

- Retighten loose bolts, nuts, etc.
- Check for fuel and oil leakage.
- Replace damaged parts with new ones for safety operation.

## CLEANING OF PARTS

- Keep the engine always clean.
- Keep the cylinder fins free of dust or dirt. Dust or dirt adhering to the fins will cause piston seizure.

## REPLACEMENT OF GASKETS AND PACKINGS

In reassembling after the engine is dismantled, be sure to replace the gaskets and packings with new ones.

Any maintenance of adjustment work that is not included and described in this manual is only to be performed by Authorized Service Agents.

## STORAGE

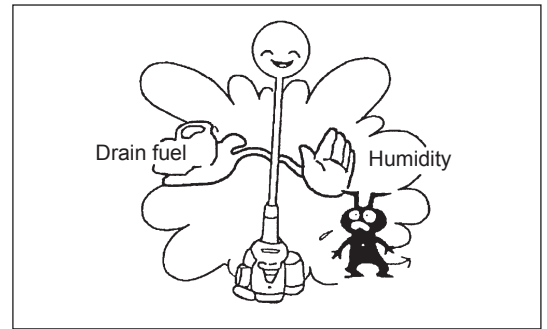


**WARNING:** When draining the fuel, be sure to stop the engine and confirm that the engine cools down.  
Just after stopping the engine, it may still hot with possibility of burns, inflammability and fire.



**ATTENTION:** When the machine is kept out of operation for a long time, drain up all fuel from the fuel tank and carburetor, and keep it at a dry and clean place.

- Drain up fuel from the fuel tank and carburetor according to the following procedure:
  - 1) Remove the fuel tank cap, and drain fuel completely.  
If there is any foreign matter remaining in the fuel tank, remove it completely.
  - 2) Pull out the fuel filter from the refill port using a wire.
  - 3) Push the primer pump until fuel is drained from there, and drain fuel coming into the fuel tank.
  - 4) Reset the filter to the fuel tank, and securely tighten the fuel tank cap.
  - 5) Then, continue to operate the engine until it stops.
- Remove the spark plug, and drip several drops of engine oil through the spark plug hole.
- Gently pull the starter handle so that engine oil will spread over the engine, and attach the spark plug.
- Do not move the lever in the lock position while not mounting the attachment. The lever in the lock position without the attachment being mounted does not allow the pole shaft of the attachment to be mounted.
- In general, store the machine in horizontal position. If it is not possible, place the machine as the motor unit comes below the cutting tool. Otherwise engine oil may leak from inside.
- Always pay attention to storing the machine in a safe place to prevent machine damage and personal injury.
- Keep the drained fuel in a special container in a well-ventilated shade.



### Attention after long-time storage

- Before startup after long-time shutdown, be sure to replace oil (refer to P 16). Oil will deteriorate while the machine is kept out of operation.

### Fault location

Fault	System	Observation	Cause
Engine not starting or with difficulty	Ignition system	Ignition spark O.K.	Fault in fuel supply or compression system, mechanical defect
		No ignition spark	STOP-switch operated, wiring fault or short circuit, spark plug or connector defective, ignition module faulty
	Fuel supply	Fuel tank filled	Incorrect choke position, carburetor defective, fuel supply line bent or blocked, fuel dirty
	Compression	No compression when pulled over	Cylinder bottom gasket defective, crankshaft seals damaged, cylinder or piston rings defective or improper sealing of spark plug
Warm start problems	Mechanical fault	Starter not engaging	Broken starter spring, broken parts inside of the engine
		Tank filled ignition spark existing	Carburetor contaminated, have it cleaned
Engine starts but dies	Fuel supply	Tank filled	Incorrect idling adjustment, carburetor contaminated Fuel tank vent defective, fuel supply line interrupted, cable or STOP-switch faulty
Insufficient performance	Several systems may simultaneously be affected	Engine idling poor	Air filter contaminated, carburetor contaminated, muffler clogged, exhaust duct in the cylinder clogged

Item	Operating time	Before operation	After lubrication	Daily (10h)	30h	50h	200h	Shutdown/rest	Corresponding P
Engine oil	Inspect	○							12
	Replace					○*1			16
Tightening parts (bolt, nut)	Inspect	○							18
Fuel tank	Clean/inspect	○							—
	Drain fuel							○*3	19
Throttle lever	Check function		○						—
Stop switch	Check function		○						15
Low-speed rotation	Inspect/adjust			○					15
Air cleaner	Clean			○					17
Ignition plug	Inspect			○					18
Cooling air duct	Clean/inspect			○					18
Fuel pipe	Inspect			○					18
	Replace						◎*2		—
Fuel filter	Clean/replace					○			18
Clearance between air intake valve and air discharge valve	Adjust						◎*2		—
Engine overhaul							◎*2		—
Carburetor	Drain fuel							○*3	19

\*1 Perform initial replacement after 20h operation.

\*2 For the 200 operating hour inspection, request Authorized Service Agent or a machine shop.

\*3 After emptying the fuel tank, continue to run the engine and drain fuel in the carburetor.

Check instruction manuals for each attachment, and carry out maintenance on them when they are being used.

## TROUBLESHOOTING

Before making a request for repairs, check a trouble for yourself. If any abnormality is found, control your machine according to the description of this manual. Never tamper or dismount any part contrary to the description. For repairs, contact Authorized Service Agent or local dealership.

State of abnormality	Probable cause (malfunction)	Remedy
Engine does not start	Failure to operate primer pump	Push 7 to 10 times
	Low pulling speed of starter rope	Pull strongly
	Lack of fuel	Feed fuel
	Clogged fuel filter	Clean
	Bent fuel tube	Straighten fuel tube
	Deteriorated fuel	Deteriorated fuel makes starting more difficult. Replace with new one. (Recommended replacement: 1 month)
	Excessive suction of fuel	Set throttle lever from medium speed to high speed, and pull starter handle until engine starts. <b>Once engine starts, attachment starts rotating or moving. Pay full attention to attachment.</b> If engine will not start still, remove spark plug, make electrode dry, and reassemble them as they originally are. Then, start as specified.
	Detached plug cap	Attach securely
	Contaminated spark plug	Clean
	Abnormal clearance of spark plug	Adjust clearance
	Other abnormality of spark plug	Replace
	Abnormal carburetor	Make request for inspection and maintenance.
	Starter rope cannot be pulled	Make request for inspection and maintenance.
	Abnormal drive system	Make request for inspection and maintenance.
Engine stops soon Engine speed does not increase	Insufficient warm-up	Perform warm-up operation
	Choke lever is set to "CLOSE" although engine is warmed up.	Set to "OPEN"
	Clogged fuel filter	Clean or replace
	Contaminated or clogged air cleaner	Clean
	Abnormal carburetor	Make request for inspection and maintenance.
	Abnormal drive system	Make request for inspection and maintenance.
Attachment does not rotate or move ↓ Stop engine immediately	Attachment not inserted to the specified point.	Insert as instructed.
Main unit vibrates abnormally ↓ Stop engine immediately	Attachment not inserted to the specified point.	Insert as instructed.
	Loosened lever	Tighten securely.
	Abnormal drive system	Make request for inspection and maintenance.
Attachment does not stop immediately ↓ Stop engine immediately	High idling rotation	Adjust
	Detached throttle wire	Attach securely
	Abnormal drive system	Make request for inspection and maintenance.
Engine does not stop ↓ Run engine at idling, and set choke lever to CLOSE	Detached connector	Attach securely
	Abnormal electric system	Make request for inspection and maintenance.

When the engine does not start after warm-up operation:

If there is no abnormality found for the check items, open the throttle by about 1/3 and start the engine.















Merci infiniment d'avoir acheté l'outil multi-fonctions MAKITA. Nous sommes heureux de vous recommander l'outil multi-fonctions MAKITA qui est le fruit d'un long programme de développement et de nombreuses années de connaissances et d'expérience. Veuillez lire ce document, il décrit en détails les performances remarquables de cet outil. Cela vous permettra d'obtenir le meilleur de votre outil multi-fonctions MAKITA.



Table des matières	Page
Pictogrammes.....	22
Consignes de sécurité.....	23
Données techniques.....	26
Têtes agréées.....	27
Désignation des pièces.....	28
Montage de la poignée.....	29
Montage de la tête.....	29
Démontage.....	30
Avant utilisation.....	31
Manipulation correcte de la machine.....	33
Remarques concernant le fonctionnement et l'arrêt de la machine.....	33
Instructions d'entretien.....	36
Entreposage.....	39

## PICTOGRAMMES

Vous verrez les pictogrammes suivants en lisant le manuel d'instructions.

	Lisez le manuel d'instructions, et respectez les avertissements et mesures de sécurité !		Casque de protection, protections oculaire et auditive obligatoires !
	Faites particulièrement attention !		Carburant (Essence)
	Interdit !		Démarrage manuel du moteur
	Défense de fumer !		Arrêt d'urgence
	Flamme nue interdite !		Premiers soins
	Gants de protection obligatoires !		MARCHE/DÉMARRAGE
	Portez des chaussures solides avec semelle antidérapante. Il est conseillé de porter des chaussures avec embout de sécurité !		ARRÊT/COUPURE OUTIL
	Zone de fonctionnement interdite aux individus et aux animaux !		

## Utilisation normale de la machine

Cet outil multi-fonctions est conçu pour être utilisé avec les têtes agréées répertoriées dans ce manuel d'instructions. N'utilisez jamais la machine à d'autres fins.

## CONSIGNES DE SÉCURITÉ

### Consignes générales

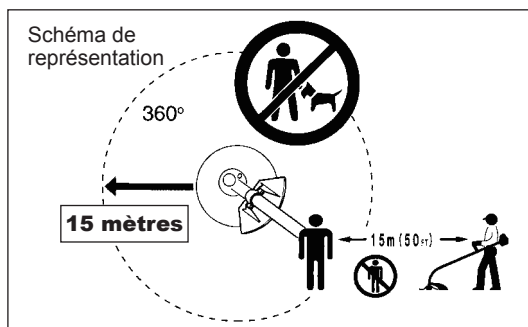
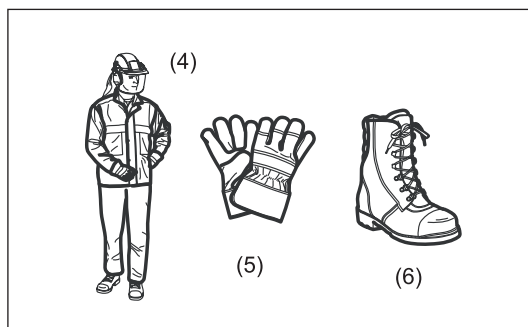
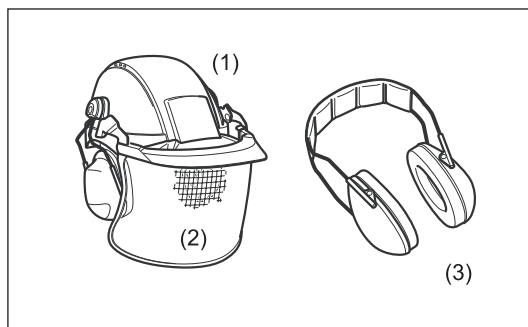
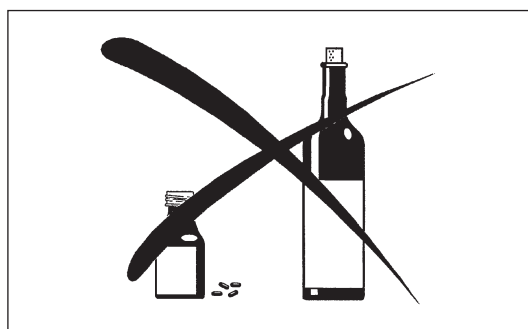
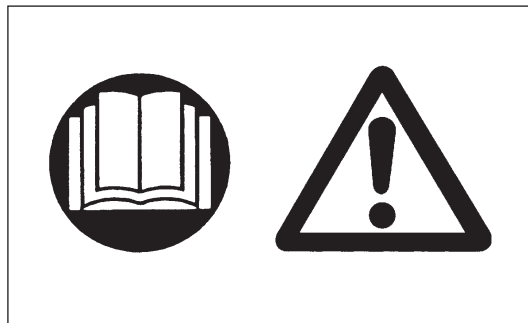
- Afin de garantir le bon fonctionnement de l'outil, l'utilisateur doit lire le présent manuel d'instructions pour se familiariser avec la manipulation de l'outil multi-fonctions. S'ils ne sont pas suffisamment informés, les utilisateurs qui manipulent l'outil de façon incorrecte représentent un danger pour eux-mêmes comme pour les autres.
- Il est recommandé de ne prêter cet outil qu'à des individus qui maîtrisent l'utilisation des outils multi-fonctions.  
Fournissez toujours le manuel d'instructions avec l'outil.
- Les nouveaux utilisateurs doivent demander au vendeur les instructions de base afin de se familiariser avec la manipulation d'un outil de coupe motorisé.
- Les enfants de moins de 18 ans ne doivent pas être autorisés à manipuler l'outil multi-fonctions. Les individus âgés d'au moins 16 ans peuvent néanmoins utiliser ce dispositif dans le cadre d'une formation uniquement et sous la supervision d'un formateur qualifié.
- Utilisez l'outil multi-fonctions avec le plus grand soin et la plus grande attention.
- N'utilisez l'outil multi-fonctions que si vous êtes en bonne condition physique. Manipulez délicatement et soigneusement l'outil. L'utilisateur doit accepter la responsabilité pour les tiers.
- N'utilisez jamais l'outil multi-fonctions après avoir consommé de l'alcool ou des médicaments, ou si vous vous sentez fatigué ou malade.
- Les lois locales peuvent restreindre l'utilisation de cet outil.

### Équipement de protection personnel

- La tenue portée doit être fonctionnelle et appropriée, autrement dit elle doit être ajustée et ne pas entraver les mouvements. Ne portez pas de bijoux ni de vêtements qui pourraient s'accrocher dans les buissons ou les arbustes.
- Afin d'éviter toutes lésions à la tête, aux yeux, aux mains ou aux pieds et de protéger votre ouïe, vous devez porter l'équipement et les vêtements de protection indiqués ci-dessous lorsque vous utilisez l'outil multi-fonctions.
- Portez toujours un casque s'il y a un risque de projection d'objets. Le casque de protection (1) doit être inspecté fréquemment en vue d'éventuels dommages et doit être remplacé au moins tous les 5 ans. Utilisez uniquement des casques de protection homologués.
- La visière-écran (2) du casque (ou à défaut les lunettes étanches) protège le visage des projections de débris et de pierres. Portez toujours des lunettes étanches ou une visière-écran lorsque vous utilisez l'outil multi-fonctions, afin d'éviter toutes lésions oculaires.
- Portez un équipement anti-bruit adéquat afin d'éviter une perte auditive (protège-oreilles (3), bouchons d'oreilles, etc.).
- La combinaison de travail (4) protège contre les projections de pierres et de débris.  
Nous recommandons vivement à l'utilisateur de porter une combinaison de travail.
- Des gants spéciaux (5) en cuir épais font partie de l'équipement indiqué et doivent toujours être portés pendant la manipulation de l'outil multi-fonctions.
- Lorsque vous utilisez l'outil multi-fonctions, portez toujours des chaussures solides (6) avec semelle antidérapante. Cela vous préservera des blessures et vous assurera une bonne stabilité.

### Démarrage de l'outil multi-fonctions

- Assurez-vous qu'il n'y a pas d'enfants ni d'autres personnes à proximité, et faites également attention à tout animal dans la zone de travail.
- Veillez à ce que la tête soit bien en place, le levier de commande facilement accessible puis vérifiez le bon fonctionnement du levier de sécurité.
- Tout mouvement de la tête en fonctionnement de ralenti est impossible. Vérifiez le réglage auprès de votre vendeur en cas de doute. Vérifiez que les poignées sont propres et sèches, et testez le fonctionnement du commutateur marche/arrêt.

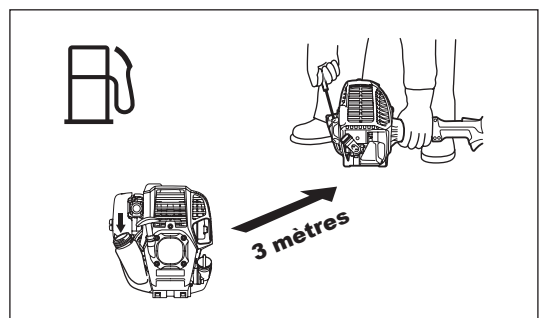
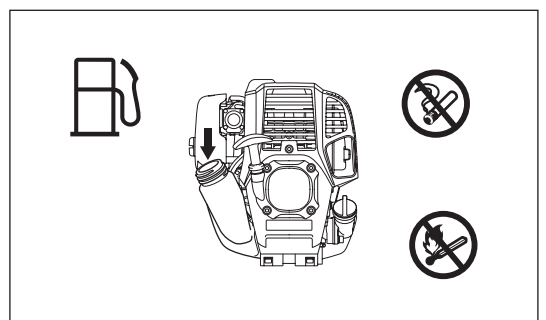
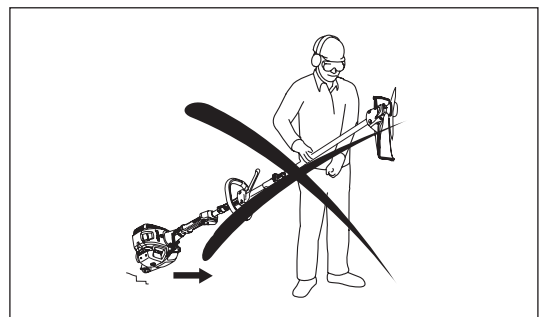
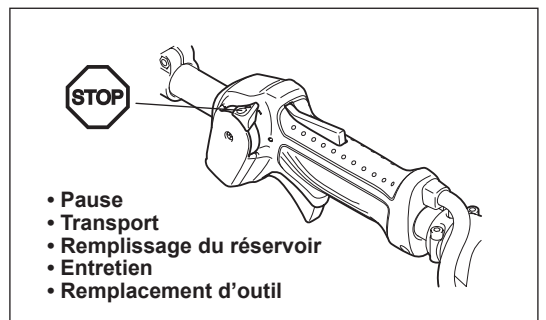
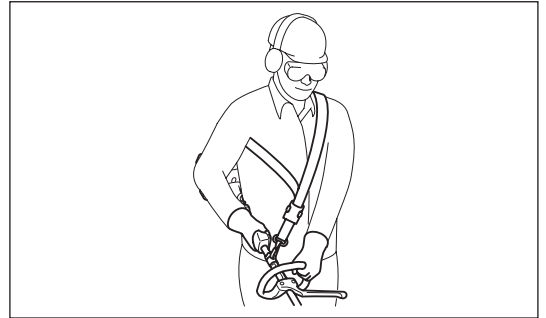
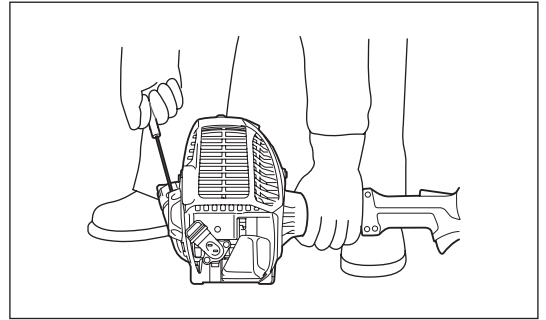


Démarrez l'outil multi-fonctions en suivant les instructions.

- Ne démarrez pas le moteur d'une autre façon !
- Utilisez exclusivement l'outil multi-fonctions et les accessoires pour les applications auxquelles ils sont destinés.
- Ne démarrez le moteur de l'outil multi-fonctions qu'une fois le montage complet terminé. Le fonctionnement de l'outil n'est possible qu'une fois tous les accessoires correctement fixés !
- Avant le démarrage, veillez à ce que la tête ne soit pas en contact avec des objets durs tels que des branches, des pierres, etc., car la rotation de cette tête commence dès le démarrage.
- Vous devez couper immédiatement le moteur en cas de problèmes de ce dernier.
- Si la tête heurte des pierres ou des objets durs, coupez immédiatement le moteur et inspectez la tête.
- N'utilisez l'outil multi-fonctions qu'avec la sangle d'épaule fixée et correctement ajustée avant utilisation. La sangle d'épaule doit être ajustée à la taille de l'utilisateur afin d'éviter une fatigue à l'utilisation. Ne saisissez jamais l'outil de coupe à la main en cours de fonctionnement.
- Tenez toujours l'outil multi-fonctions à deux mains pendant l'utilisation. Assurez-vous toujours de votre stabilité.
- Utilisez l'outil multi-fonctions de façon à éviter toute inhalation des gaz d'échappement. Ne faites jamais fonctionner le moteur dans des pièces fermées (risque d'asphyxie au gaz). Le monoxyde de carbone est un gaz inodore.
- Coupez le moteur lorsque vous faites une pause et lorsque vous laissez l'outil multi-fonctions sans surveillance, puis placez-le en lieu sûr pour éviter tout risque pour autrui ou tout endommagement de l'outil.
- Ne posez jamais l'outil multi-fonctions chaud sur des herbes sèches ni sur des matières combustibles.
- Vous devez utiliser toutes les installations et gaines fournies avec la machine pendant l'utilisation.
- N'utilisez jamais le moteur si le silencieux d'échappement est défectueux.
- Coupez le moteur pendant le transport.
- Pendant un transport sur de longues distances, la protection de l'outil fournie doit toujours être en place.
- Veillez à caler l'outil multi-fonctions dans une position adéquate pendant un transport en voiture afin d'éviter toute fuite d'essence.
- Lorsque vous transportez l'outil multi-fonctions, assurez-vous que le réservoir d'essence est totalement vide.
- Lorsque vous déchargez l'outil multi-fonctions d'un véhicule, veillez à ne jamais laisser tomber le moteur sur le sol, cela pourrait sérieusement endommager le réservoir d'essence.
- Sauf en cas d'urgence, ne laissez jamais tomber l'outil multi-fonctions ou ne le jetez pas par terre, cela pourrait sérieusement l'endommager.
- Ne traînez pas l'équipement sur le sol lorsque vous le transportez. Il est très dangereux de traîner le réservoir d'essence, cela pourrait l'endommager, provoquer une fuite d'essence et peut-être un incendie.
- Si l'équipement tombe ou heurte violemment une surface, vérifiez son état avant de poursuivre l'utilisation. Recherchez une éventuelle fuite du système d'alimentation et un éventuel dysfonctionnement des dispositifs de commande et de sécurité. En cas de dommage avéré ou suspecté, adressez-vous à un centre de services agréé pour une inspection et une réparation.

## Remplissage du réservoir

- Coupez le moteur pendant le remplissage du réservoir, éloignez-vous de toute flamme et ne fumez pas.
- Évitez tout contact des produits pétroliers avec la peau. N'inhalez pas les vapeurs d'essence. Portez toujours des gants de protection pendant le remplissage du réservoir. Changez et nettoyez souvent les vêtements de protection.
- Veillez à ne pas renverser l'essence ou l'huile afin de ne pas contaminer les sols (protection de l'environnement). Nettoyez l'outil multi-fonctions immédiatement après une projection d'essence.
- Évitez les projections d'essence sur vos vêtements. Changez immédiatement vos vêtements en cas de projection d'essence (pour éviter qu'ils ne s'enflamment).
- Inspectez régulièrement le bouchon du réservoir d'essence pour vous assurer qu'il se ferme correctement et qu'il ne fuit pas.
- Serrez bien le bouchon du réservoir d'essence. Déplacez-vous pour démarrer le moteur (à au moins 3 mètres du lieu de remplissage du réservoir).
- Ne remplissez jamais le réservoir dans une pièce fermée. Les vapeurs d'essence s'accumulent au ras du sol (risque d'explosions).
- Ne transportez et ne conservez l'essence que dans des conteneurs appropriés. Veillez à conserver l'essence hors de portée des enfants.



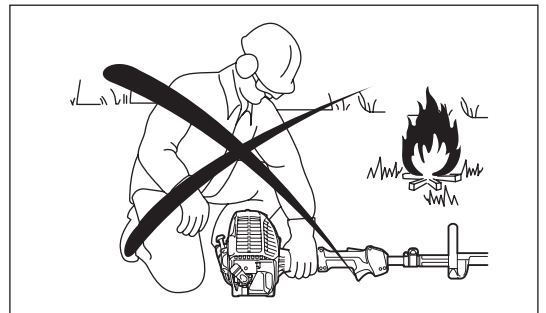


## Mode de fonctionnement

- N'utilisez l'outil multi-fonctions qu'en pleine lumière et avec une bonne visibilité. En hiver, faites attention aux sols glissants et aux zones humides, à la glace et à la neige (risque de glissade). Assurez-vous toujours de votre stabilité.
- N'utilisez jamais l'outil multi-fonctions en vous tenant sur une échelle.
- Ne réalisez jamais de coupe avec l'outil multi-fonctions en étant perché dans un arbre.
- Ne travaillez jamais sur des surfaces instables.
- Avant d'utiliser la tête, veillez à ce qu'elle ait atteint la pleine vitesse de fonctionnement.
- Faites des pauses afin de ne pas perdre le contrôle à cause de la fatigue. Nous vous recommandons de vous reposer 10 à 20 minutes toutes les heures.

## Consignes d'entretien

- Faites réparer votre équipement par nos centres de services agréés, qui n'utilisent que des pièces de rechange d'origine. Des réparations mal exécutées et un mauvais entretien peuvent réduire la durée utile de l'équipement et accroître les risques d'accident.
- Utilisez l'outil multi-fonctions en limitant le plus possible le bruit et la contamination. Vérifiez notamment le bon réglage du carburateur.
- Nettoyez l'outil multi-fonctions à intervalles réguliers et vérifiez que toutes les vis et tous les écrous sont bien serrés.
- Ne réparez ni ne rangez jamais l'outil multi-fonctions à proximité de flammes nues.
- Rangez toujours l'outil multi-fonctions dans une pièce fermée et après avoir vidé le réservoir d'essence.



Respectez les consignes de prévention des accidents fournies par les associations professionnelles ainsi que par les compagnies d'assurance concernées.

N'altérez en aucun cas l'outil multi-fonctions, cela compromettrait votre sécurité.

L'entretien ou les réparations réalisables par l'utilisateur sont ceux décrits dans le manuel d'instructions. Tout autre travail doit être réalisé par un technicien agréé. N'utilisez que des pièces de rechange et accessoires fabriqués et vendus par MAKITA.

L'utilisation d'accessoires et outils non agréés accroît le risque d'accidents.

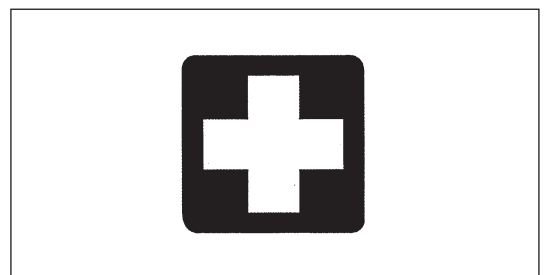
MAKITA décline toute responsabilité en cas d'accidents ou de dommages du fait de l'utilisation de têtes et de dispositifs de fixation de têtes ou d'accessoires non agréés.

## Premiers soins

En cas d'accident, veillez à avoir une trousse de premiers soins non loin de la zone de travail. Remplacez sans délai tout article utilisé dans la trousse de premiers soins.

### Si vous demandez de l'aide, veillez à donner les informations suivantes :

- Lieu de l'accident ;
- Conditions de l'accident ;
- Nombre de personnes blessées ;
- Type de blessure ;
- Votre nom.



## Vibrations

- Des détériorations au niveau des vaisseaux sanguins ou du système nerveux peuvent se produire chez des personnes souffrant de troubles circulatoires et trop souvent soumises à des vibrations. Les symptômes pouvant apparaître à la suite de vibrations au niveau des doigts, des mains ou des articulations sont les suivants : engourdissement des membres, chatouillements, douleurs, points et altération de la peau (notamment, le changement de couleur). Si ces symptômes apparaissent, consultez un médecin.
- Pour éviter le phénomène du « doigt mort », assurez-vous de garder vos mains au chaud durant l'utilisation de l'outil et de préserver le bon état de l'outil et de ses accessoires.

## DONNÉES TECHNIQUES EX2650LH

Modèle	EX2650LH
Type de poignée	Poignée arceau
Dimensions : Longueur x largeur x hauteur (hors lame de coupe) avec barre de retenue <span style="float: right;">pouce (mm)</span>	38-3/8"x12-3/4"x9-1/2" (975 x 323 x 241)
Dimensions : Longueur x largeur x hauteur (hors lame de coupe) sans barre de retenue <span style="float: right;">pouce (mm)</span>	38-3/8"x9-1/2"x9-1/2" (975 x 242 x 241)
Poids (hors gaine plastique et lame de coupe) <span style="float: right;">lb (kg)</span>	10 (4,6)
Volume (réservoir d'essence) <span style="float: right;">oz liq (l)</span>	20,3 (0,6)
Volume (réservoir d'huile) <span style="float: right;">oz liq (l)</span>	2,7 (0,08)
Cylindrée <span style="float: right;">pouce cube (cm<sup>3</sup>)</span>	1,5 (25,4)
Rendement maximal du moteur <span style="float: right;">hp (kW)</span>	1,1 (0,77) à 7 000 TR/MIN
Vitesse moteur à la vitesse de broche maximale recommandée <span style="float: right;">TR/MIN (1/min)</span>	10 000
Vitesse au ralenti <span style="float: right;">TR/MIN (1/min)</span>	3 000
Vitesse d'embrayage <span style="float: right;">TR/MIN (1/min)</span>	3 900
Carburateur	Type de diaphragme
Système d'allumage	Type sans contact, à aimant
Bougie d'allumage <span style="float: right;">type</span>	NGK CMR4A
Distance entre les électrodes <span style="float: right;">pouce (mm)</span>	0,028" - 0,032" (0,7 - 0,8)
Carburant	Essence automobile
Huile moteur	Classification API, classe SF ou supérieure, ou huile SAE 10W-30 (moteur automobile à 4 temps)

(Pour le Canada)

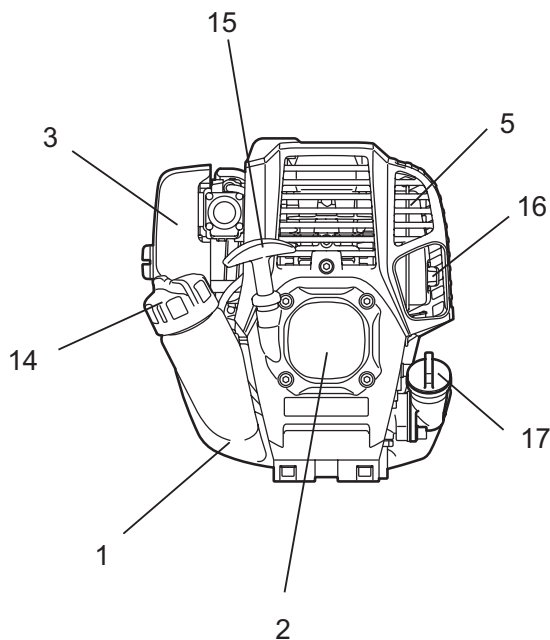
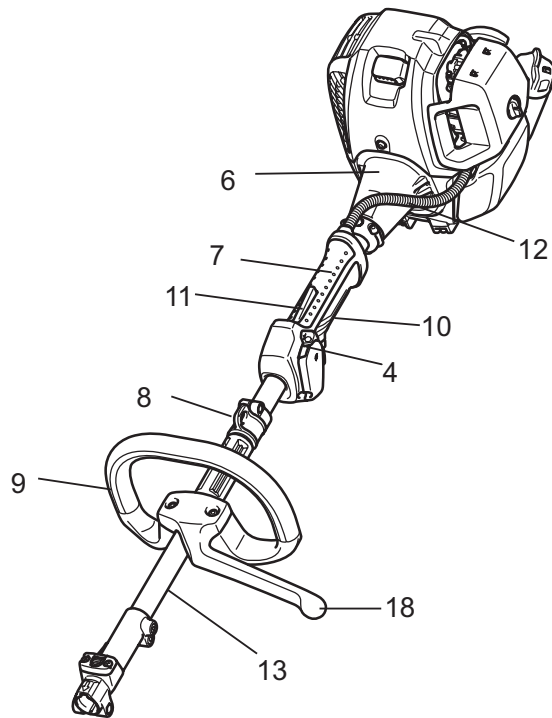
NOTE : Ce système d'allumage par étincelle de véhicule est conforme à la norme NMB-002 du Canada.

## TÊTES AGRÉÉES

TÊTES	Modèles
Tête Débroussailleuse	EM400MP, EM401MP, EM403MP, EM404MP
Tête Coupe Herbe	ER400MP, EM405MP, EM406MP
Tête Élagueuse à Perche	EY400MP, EY401MP
Tête Taille-haie à Perche	EN400MP, EN401MP, EN410MP
Tête Faucheuse	EN420MP
Tête Moto-bineuse	KR400MP
Tête Peigne Vibreur Pour Café	EJ400MP
Tête Dresse-Bordures	EE400MP
Rallonge d'Arbre	LE400MP

## DÉSIGNATION DES PIÈCES

### EX2650LH



F	DÉSIGNATION DES PIÈCES
1	Réservoir d'essence
2	Démarrreur à rappel
3	Filtre à air
4	Commutateur (marche/arrêt)
5	Silencieux d'échappement
6	Carter d'embrayage
7	Poignée arrière
8	Étrier de fixation
9	Poignée
10	Levier d'accélérateur
11	Levier de sécurité
12	Câble de commande
13	Axe
14	Bouchon du réservoir d'essence
15	Poignée de démarrage
16	Tuyau d'échappement
17	Bouchon d'huile
18	Barre de retenue*

Remarque : Dans certains pays, la barre de retenue n'est pas fournie avec l'outil.

## MONTAGE DE LA POIGNÉE

ATTENTION : Avant toute intervention sur l'outil multi-fonctions, coupez toujours le moteur et retirez le connecteur de la bougie d'allumage.

Portez toujours des gants de protection !

ATTENTION : Ne démarrez l'outil multi-fonctions qu'après l'avoir entièrement assemblé.

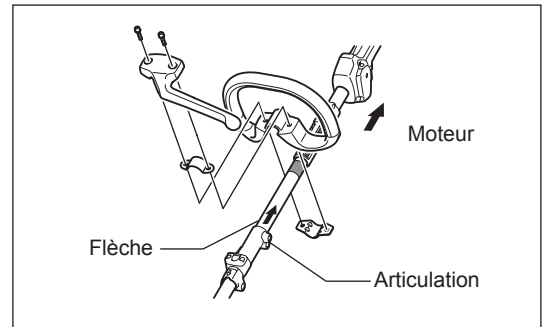


### Montage de la poignée arceau

- Ajustez soigneusement la barre de retenue et la poignée sur le tuyau du manche avec deux vis et des pinces. Ensuite, placez la barre de retenue sur la gauche de la machine, comme sur l'illustration.
- Assurez-vous que l'ensemble barre de retenue/poignée est situé entre la cale d'espacement et la flèche. Ne retirez pas et ne compressez pas la cale d'espacement.
- Une fois l'assemblage effectué, ne retirez pas la barre de retenue.

ATTENTION : N'installez jamais la poignée sur l'étiquette ou sur le joint.

Remarque : Dans certains pays, la barre de retenue et la flèche ne sont pas présentes sur l'outil.



## MONTAGE DE LA TÊTE

ATTENTION : Avant toute intervention sur l'outil multi-fonctions, coupez toujours le moteur et retirez le connecteur de la bougie d'allumage.

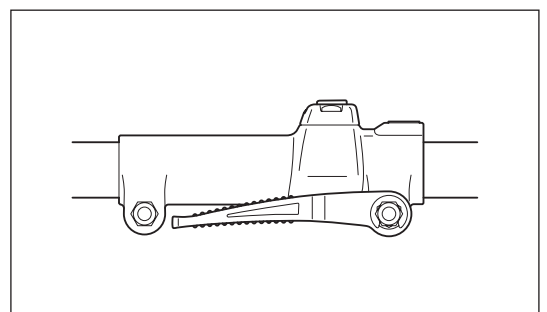
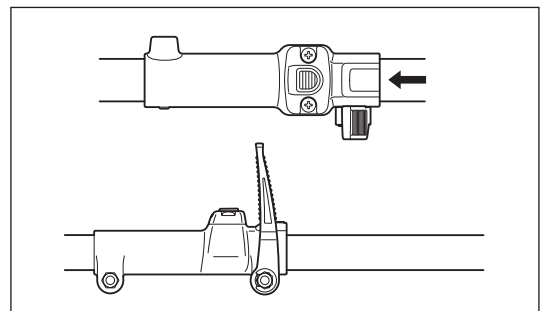
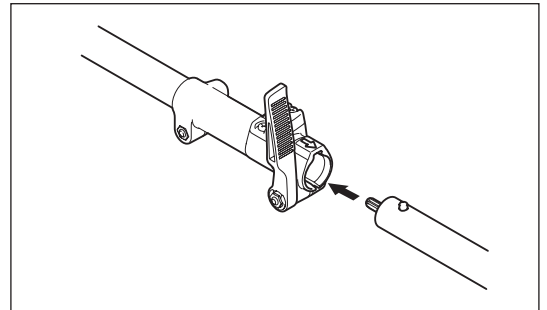
Portez toujours des gants de protection !

ATTENTION : Ne démarrez l'outil multi-fonctions qu'après l'avoir entièrement assemblé.



### Assemblage

- Desserrez le levier.
- Alignez la broche de la tête et la rainure de l'articulation puis insérez la broche.
- Insérez la tête jusqu'à la position indiquée par la flèche. Vérifiez ensuite que le bouton s'est relevé.
- Resserrez le levier.  
(Reportez-vous au schéma ci-contre pour vous repérer.)

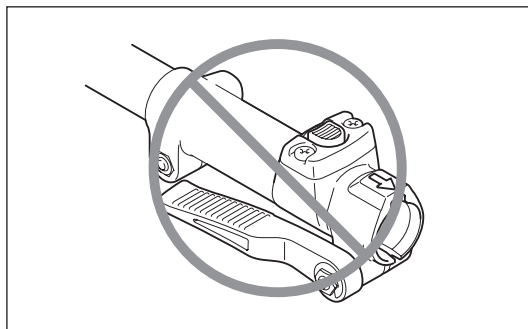
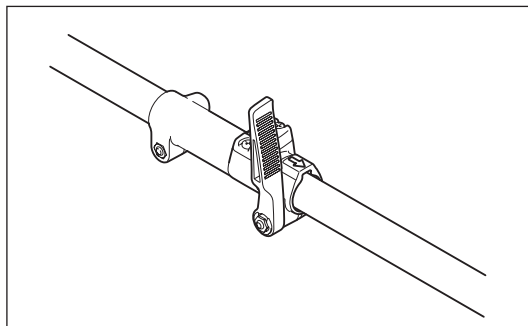


## DÉMONTAGE

- Desserrez le levier.
- Appuyez sur le bouton et sortez la tête.  
(Essayez autant que possible de sortir la tête en la tenant droite dans l'axe.)

### Remarque :

- Ne laissez pas le levier serré lorsque la tête n'est pas fixée.



## AVANT UTILISATION

### Inspection et remplissage de l'huile moteur

- Procédez comme suit, une fois le moteur refroidi.
- Placez le moteur de niveau, retirez le bouchon d'huile (Fig. 1) et vérifiez si le niveau d'huile se trouve entre les repères de limites supérieure et inférieure sur le tuyau d'huile (Fig. 2).
- Rajoutez de l'huile jusqu'au repère de limite supérieure si le niveau est insuffisant (proche du repère de limite inférieure) (Fig. 3).
- La zone entre les repères externes est transparente, le niveau d'huile peut donc être contrôlé sans avoir à retirer le bouchon d'huile. Cependant, si le tuyau d'huile s'encrasse énormément, la visibilité peut être altérée et le niveau d'huile doit être comparé à la section crantée à l'intérieur du tuyau d'huile.
- Pour informations, le temps de remplissage de l'huile est d'environ 10 heures (tous les 10 remplissages).  
Si l'huile change de couleur ou se mélange à des impuretés, changez-la. (Pour connaître la fréquence et la méthode de remplacement, reportez-vous à la page 36)

**Huile recommandée :** SAE 10W-30 huile de classification API, classe SF ou supérieure (moteur automobile à 4 temps)

**Volume d'huile :** Environ 0,08 l

Remarque : Si le moteur est incliné, l'huile peut se déverser sur les côtés du moteur et déborder.

Si vous remplissez l'huile au-delà de la limite, elle peut être contaminée ou s'enflammer en dégageant une fumée blanche.

#### Remarque 1 concernant le changement d'huile : « Bouchon d'huile »

- Retirez la poussière ou les impuretés au niveau de l'orifice de remplissage d'huile, puis retirez le bouchon d'huile.
- Veillez à éviter la présence de sable ou de poussière au niveau du bouchon d'huile. Le sable ou la poussière adhérant au bouchon d'huile pourrait perturber la circulation de l'huile ou entraîner une usure des pièces moteur, provoquant des problèmes.

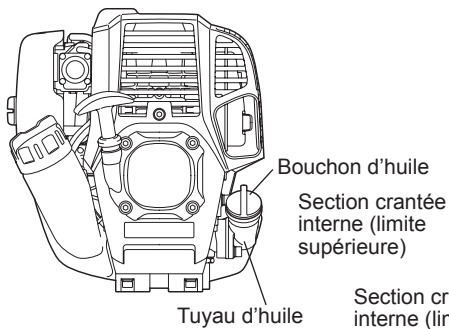


Fig. 1

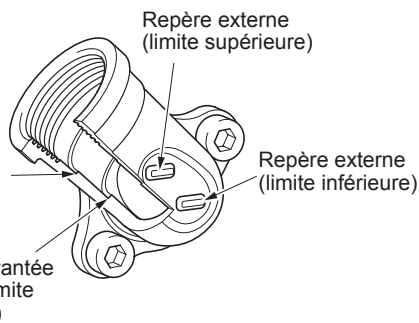


Fig. 2 Tuyau d'huile

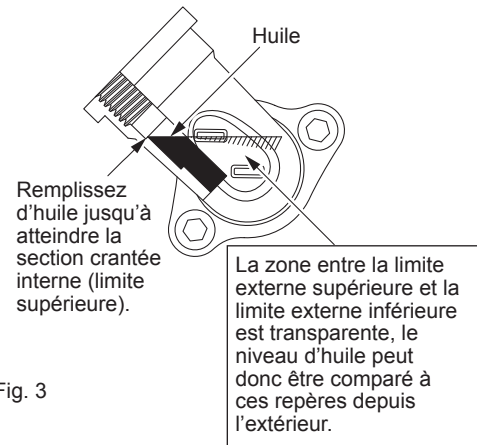
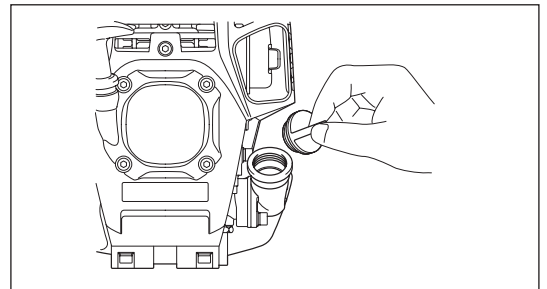
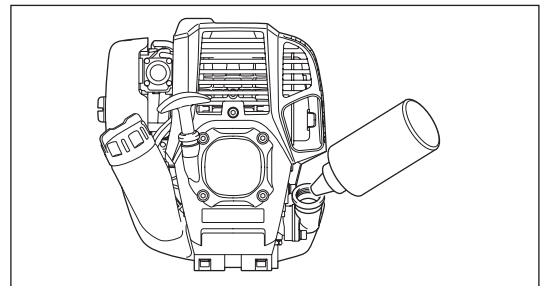


Fig. 3

(1) Maintenez le moteur de niveau et retirez le bouchon d'huile.



(2) Remplissez d'huile jusqu'au repère de limite supérieure. (voir Fig. 3)  
Utilisez un bidon d'huile pour le remplissage.



(3) Serrez fermement le bouchon d'huile. Un bouchon d'huile insuffisamment serré peut fuir.

### Remarque

- Ne versez pas d'huile lorsque le moteur est incliné.
- Verser de l'huile alors que le moteur est incliné entraîne un remplissage excessif, causant une contamination de l'huile et/ou une fumée blanche.

### Remarque 2 concernant le changement d'huile : « Si l'huile déborde »

- Si l'huile déborde entre le réservoir d'essence et le corps du moteur, elle sera aspirée par l'orifice d'admission d'air de refroidissement et contaminera le moteur. Veillez à essuyer l'excédent d'huile avant de démarrer la machine.

## REPLISSAGE

### Manipulation de l'essence

Vous devez manipuler l'essence avec une extrême précaution. L'essence peut contenir des substances telles que des solvants. Vous devez procéder au remplissage dans une pièce suffisamment ventilée ou en plein air. Tenez-vous éloigné de l'essence et évitez d'en inhaler les vapeurs. Si l'essence entre en contact plusieurs fois ou pendant longtemps avec votre peau, vous pourriez souffrir de sécheresse cutanée, entraînant maladies de peau ou allergies. En cas de projection d'essence dans les yeux, rincez à l'eau claire. Si vos yeux restent irrités, consultez un médecin.

### Entreposage de l'essence

Vous devez utiliser l'essence dans un délai de 4 semaines, même si vous la conservez dans un conteneur spécial, dans un endroit ombragé et bien ventilé.

Si vous n'utilisez pas un conteneur spécial ou si le conteneur n'est pas fermé, la qualité de l'essence pourrait être altérée.

### ENTREPOSAGE DE LA MACHINE ET REPLISSAGE DU RÉSERVOIR

- Entrez la machine et son réservoir dans un endroit frais non exposé à la lumière directe du soleil.
- Ne conservez jamais l'essence dans une cabane de jardin ou un coffre de voiture.

## Carburant

Le moteur est un moteur à quatre temps. Veillez à n'utiliser que de l'essence automobile (essence ordinaire ou super).

### Remarques concernant l'essence

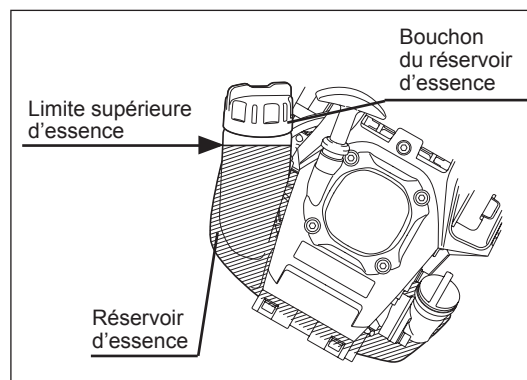
- N'utilisez jamais une essence mélangée avec de l'huile moteur. Cela pourrait entraîner une accumulation excessive de carbone ou des problèmes mécaniques.
- L'utilisation d'une huile usagée entraînera un démarrage difficile.

## Remplissage

### AVERTISSEMENT : PRODUITS INFLAMMABLES STRICTEMENT INTERDITS

Essence utilisée : Essence automobile (sans plomb)

- Dévissez légèrement le bouchon du réservoir afin qu'il n'y ait aucune différence de pression atmosphérique.
- Retirez le bouchon du réservoir, remplissez ce dernier et évacuez l'air en inclinant le réservoir pour que l'orifice de remplissage soit orienté vers le haut. (Ne remplissez jamais à ras bord.)
- Essuyez bien le pourtour du bouchon du réservoir pour éviter que des substances étrangères ne pénètrent à l'intérieur du réservoir d'essence.
- Après le remplissage, veillez à bien serrer le bouchon du réservoir.
- Si le bouchon du réservoir présente un défaut ou est endommagé, remplacez-le.
- Le bouchon du réservoir est un produit consommable, il doit donc être remplacé tous les deux ou trois ans.





## MANIPULATION CORRECTE DE LA MACHINE

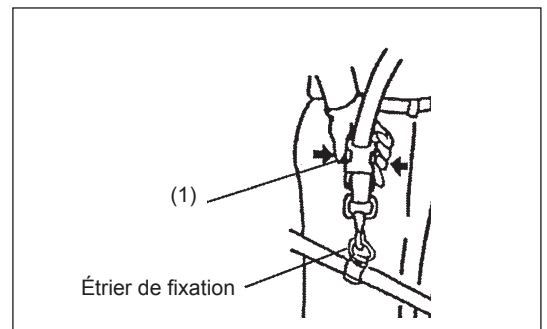
### Fixation de la sangle d'épaule

- Ajustez la longueur de la sangle.

### Détachement

- En cas d'urgence, appuyez sur les crans (1) des deux côtés, vous pouvez alors vous défaire de la machine.  
Veillez à bien garder la maîtrise de la machine à cet instant. Ne laissez pas la machine se retourner vers vous ou vers une personne proche de vous.

AVERTISSEMENT : Si le contrôle de la machine venait à vous échapper totalement, vous pourriez vous blesser très grièvement ou même trouver la MORT.



## REMARQUES CONCERNANT LE FONCTIONNEMENT ET L'ARRÊT DE LA MACHINE

Respectez la réglementation sur la prévention des accidents en vigueur !

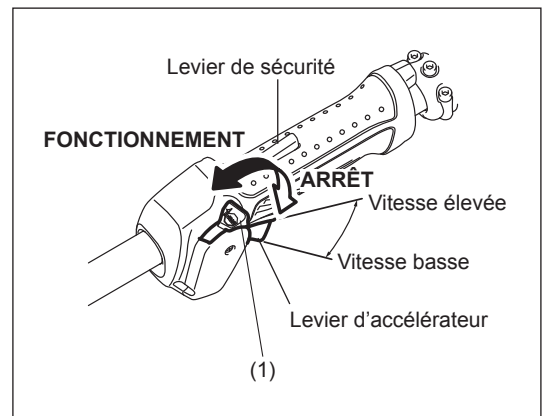


### DÉMARRAGE

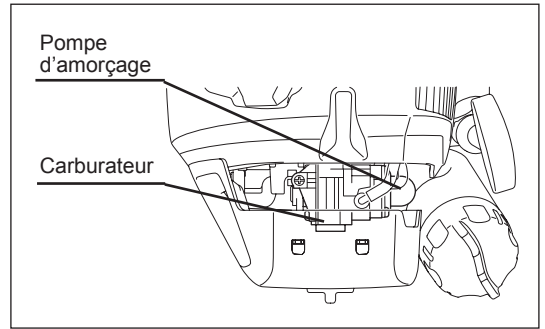
Allez à au moins 3 mètres du lieu de remplissage du réservoir. Placez l'outil multi-fonctions sur une portion de sol nette en veillant à ce que la tête n'entre pas en contact avec le sol ou tout autre objet.

#### A : Démarrage à froid

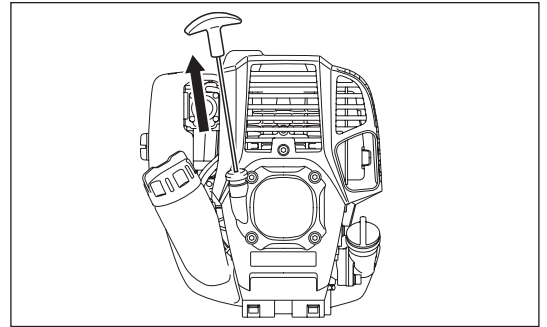
- 1) Posez la machine sur une surface plane.
- 2) Basculez le commutateur marche/arrêt (1) sur FONCTIONNEMENT.



- 3) Pompe d'amorçage  
Continuez à appuyer sur la pompe d'amorçage jusqu'à ce que l'essence pénètre à l'intérieur.  
(En général, l'essence pénètre dans la pompe d'amorçage au terme de 7 à 10 pressions.)  
Si vous appuyez trop sur la pompe d'amorçage, un excédent d'essence retourne dans le réservoir.



- 4) Lanceur à rappel  
Tirez délicatement sur la poignée de démarrage jusqu'à ce que cela devienne difficile (point de compression). Relâchez la poignée de démarrage puis tirez dessus fermement.  
Ne tirez jamais la corde à fond. Une fois la poignée de démarrage tirée, ne la relâchez pas immédiatement. Raccorppez la poignée de démarrage jusqu'à sa position d'origine.
- 5) Réchauffage  
Poursuivez le réchauffage pendant 2 à 3 minutes.



Remarque : En cas d'admission d'essence excessive, retirez la bougie d'allumage et tirez lentement sur le lanceur pour éliminer l'excédent d'essence. Vous pouvez aussi sécher l'électrode de la bougie d'allumage.

### Attention en cours de fonctionnement :

Si le levier d'accélérateur est complètement ouvert en fonctionnement à vide, la rotation du moteur augmente jusqu'à 10 000 min<sup>-1</sup> ou davantage. Ne faites jamais fonctionner le moteur à une vitesse supérieure à celle requise et à une vitesse approximative de 6 000 à 8 500 min<sup>-1</sup>.

### B : Démarrage après le réchauffage

- 1) Appuyez plusieurs fois sur la pompe d'amorçage.
- 2) Maintenez le levier d'accélérateur en fonctionnement de ralenti.
- 3) Tirez fermement sur le lanceur à rappel.
- 4) Si le démarrage du moteur se révèle difficile, ouvrez l'étrangleur d'environ 1/3.  
Faites attention à la tête qui pourrait se mettre en mouvement.

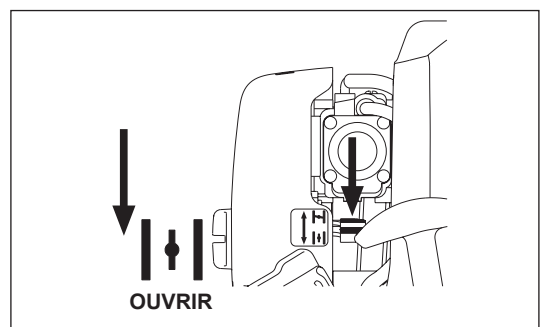
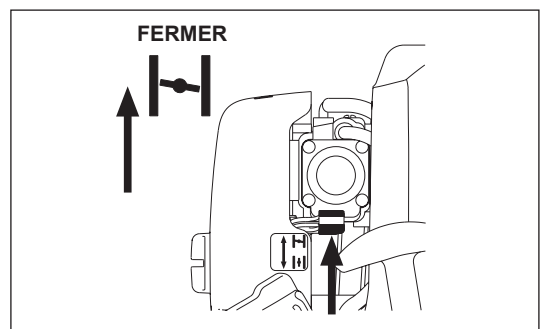
### Lorsque le démarrage du moteur est difficile, comme en hiver

Utilisez le levier d'étrangleur comme suit pour démarrer le moteur.

- Après avoir effectué les étapes de démarrage 1) à 3), basculez le levier d'étrangleur sur FERMER.
- Effectuez l'étape de démarrage 4) et démarrez le moteur.
- Une fois le moteur démarré, basculez le levier d'étrangleur sur OUVRIR.
- Effectuez l'étape de démarrage 5) et terminez le réchauffage.

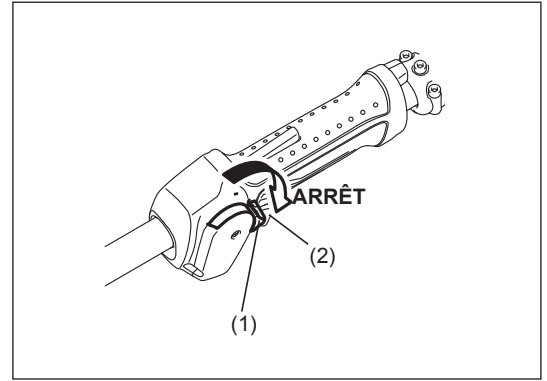
ATTENTION : Si le bruit d'une explosion retentit et que le moteur s'arrête, ou si le moteur à peine démarré cale avant que le levier d'étrangleur ne soit actionné, rebasculez le levier d'étrangleur sur OUVRIR et tirez de nouveau sur la poignée de démarrage quelques fois pour démarrer le moteur.

ATTENTION : Si le levier d'étrangleur est laissé sur la position FERMER et la poignée de démarrage tirée plusieurs fois, une quantité excessive d'essence sera aspirée et le moteur deviendra difficile à démarrer.



## ARRÊT

- 1) Relâchez complètement le levier d'accélérateur (2), puis une fois que le régime moteur a baissé, basculez le commutateur marche/arrêt sur ARRÊT, cela coupe le moteur.
- 2) La tête peut ne pas s'arrêter immédiatement, attendez qu'elle s'arrête complètement.

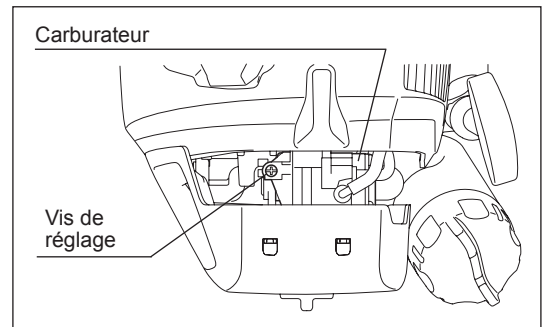


## RÉGLAGE DE LA ROTATION À FAIBLE VITESSE (RALENTI)

Si vous devez régler la rotation à faible vitesse (ralenti), utilisez la vis de réglage du carburateur.

### VÉRIFICATION DE LA ROTATION À FAIBLE VITESSE

- Réglez la rotation à faible vitesse sur 3 000 min<sup>-1</sup>.  
S'il est nécessaire de modifier la vitesse de rotation, réglez la vis de réglage (illustrée à droite) à l'aide d'un tournevis cruciforme.
- Tournez la vis de réglage vers la droite pour que la rotation du moteur augmente. Tournez la vis de réglage vers la gauche pour que la rotation du moteur diminue.
- Le carburateur est généralement réglé avant expédition. Si un réglage supplémentaire est nécessaire, veuillez contacter un technicien agréé.



## INSTRUCTIONS D'ENTRETIEN

ATTENTION : Avant toute intervention sur l'outil multi-fonctions, coupez toujours le moteur et retirez l'embout de la bougie d'allumage (voir « Vérification de la bougie d'allumage »).

Portez toujours des gants de protection !

N'utilisez jamais d'essence, de benzine, de solvant, d'alcool ou tout autre produit similaire. Cela pourrait provoquer une décoloration, une déformation ou la formation de fissures.

Afin de garantir un long délai entre deux réparations et d'éviter tout dommage à l'équipement, effectuez régulièrement les procédures de réparation suivantes.

### Vérification et entretien quotidiens

- Avant utilisation, vérifiez s'il y a des vis desserrées ou des pièces manquantes sur la machine. Faites particulièrement attention au montage correct de la tête.
- Avant toute utilisation, vérifiez que le conduit d'air de refroidissement et les ailettes du cylindre ne sont pas obstrués. Nettoyez-les si nécessaire.
- Procédez quotidiennement comme suit après utilisation :
  - Nettoyez l'extérieur de l'outil multi-fonctions et vérifiez qu'il n'a pas été endommagé.
  - Nettoyez le filtre à air. Lorsque vous travaillez dans une atmosphère très poussiéreuse, nettoyez le filtre plusieurs fois par jour.
  - Vérifiez qu'il y a une nette différence entre le ralenti et une vitesse afin de vous assurer que la tête est à l'arrêt lorsque le moteur tourne au ralenti (si nécessaire, réduisez le ralenti).  
Si l'outil continue à tourner même au ralenti, consultez le technicien agréé le plus proche.
- Vérifiez que le commutateur marche/arrêt, le levier de sécurité et le levier de commande fonctionnent correctement.

### REMPACEMENT DE L'HUILE MOTEUR

L'huile moteur usagée raccourcira grandement la durée de vie des pièces coulissantes et rotatives. Veillez à vérifier la fréquence et le nombre des remplacements.



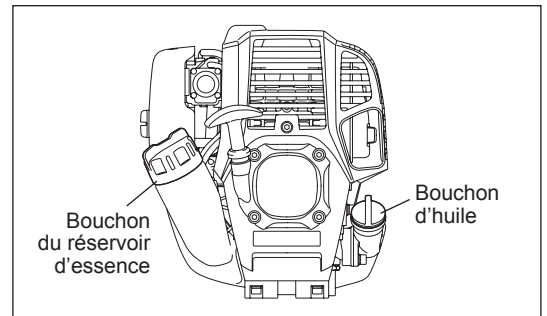
ATTENTION : En général, le corps du moteur et l'huile moteur restent chauds immédiatement après l'arrêt du moteur. Lorsque vous remplacez l'huile moteur, vérifiez que le corps du moteur et l'huile ont suffisamment refroidi. Sinon, vous risquez de vous brûler.

**Remarque : Si vous mettez trop d'huile, elle peut être souillée ou s'enflammer en dégageant une fumée blanche.**

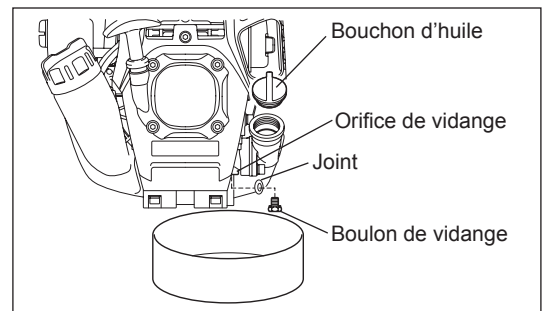
**Fréquence de remplacement :** Au début, toutes les 20 heures de fonctionnement, puis toutes les 50 heures de fonctionnement  
**Huile recommandée :** SAE10W-30 huile de classification API, classe SF ou supérieure (moteur automobile à 4 temps)

Pour le remplacement, procédez comme suit.

- 1) Assurez-vous que le bouchon du réservoir d'essence est bien serré.
- 2) Placez un grand récipient (cuvette, etc.) sous l'orifice de vidange.

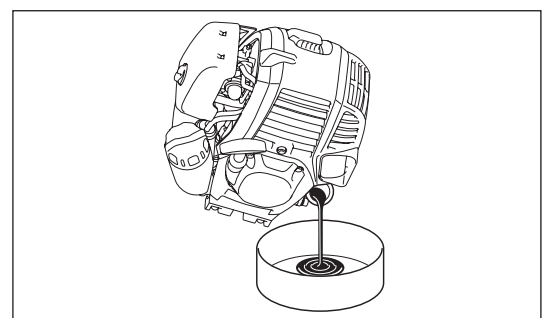


- 3) Retirez le boulon de vidange puis le bouchon d'huile pour vidanger l'huile par l'orifice de vidange. Veillez alors à ne pas égarer le joint du boulon de vidange et à ne pas salir les composants retirés.
- 4) Une fois l'huile vidangée, placez le joint sur le boulon de vidange puis serrez ce dernier de sorte qu'il ne puisse pas se desserrer et provoquer une fuite.  
\* Essayez bien l'huile restante au niveau du boulon et de l'équipement avec un chiffon.

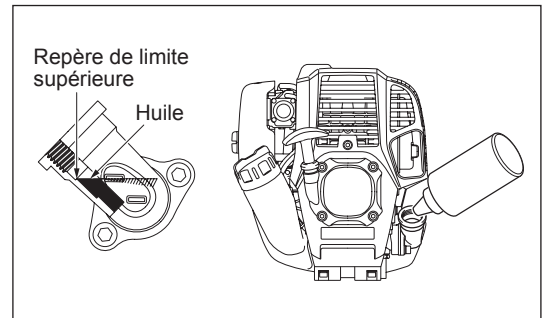
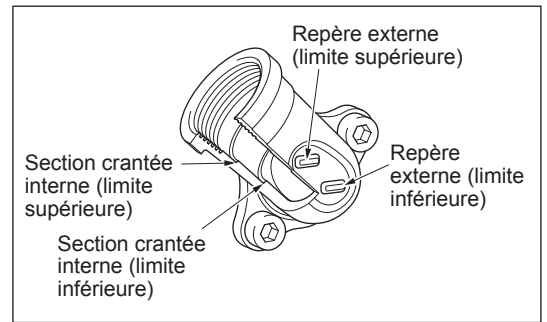


#### Autre méthode de vidange

Retirez le bouchon d'huile, inclinez l'outil multi-fonctions en direction de l'orifice de remplissage d'huile et vidangez l'huile. Récupérez l'huile dans un récipient.



- 5) Placez le moteur de niveau et remplissez progressivement d'huile neuve jusqu'au repère de limite supérieure.
- 6) Après le remplissage, resserrez bien le bouchon d'huile de sorte qu'il ne puisse pas se desserrer et provoquer une fuite. Il peut fuir s'il n'est pas suffisamment serré.



### REMARQUES CONCERNANT L'HUILE

- Ne déversez jamais l'huile usagée dans une poubelle, sur le sol ou dans une canalisation. La mise au rebut de l'huile usagée est réglementée par la loi. Vous devez vous conformer aux lois et réglementations en vigueur. En cas de doute, contactez un technicien agréé.
- L'huile se détériore même si elle n'est pas utilisée. Procédez fréquemment à une inspection et à un remplacement (remplacez-la tous les 6 mois).

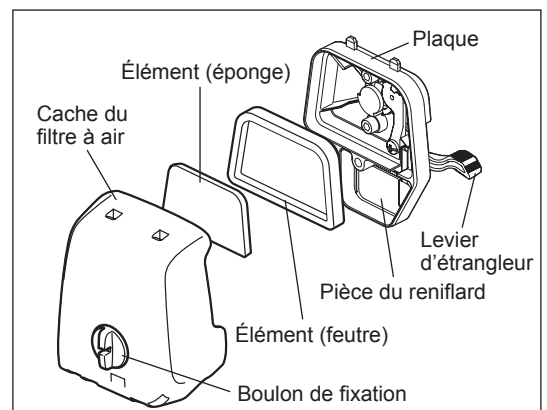
### NETTOYAGE DU FILTRE À AIR



**DANGER : PRODUITS INFLAMMABLES STRICTEMENT INTERDITS**

**Fréquence de nettoyage et d'inspection : Quotidienne (toutes les 10 heures de fonctionnement)**

- Fermez complètement le levier d'étrangleur et tenez le carburateur loin de toute poussière ou impureté.
- Desserrez le boulon de fixation.
- Retirez le cache du filtre à air en tirant sur sa partie inférieure.
- Retirez les éléments et tapotez dessus pour enlever les impuretés.
- Si les éléments sont très encrassés : Retirez les éléments, plongez-les dans de l'eau tiède ou de l'eau additionnée d'un détergent neutre, puis séchez-les complètement. Lors du nettoyage, ne les pressez et ne les frottez pas.
- Avant de replacer les éléments, veillez à les sécher complètement. Un séchage insuffisant des éléments peut entraîner des problèmes de démarrage.
- Essuyez l'huile restante autour du cache du filtre à air et de la pièce du reniflard avec un chiffon.
- Insérez le premier élément (éponge) dans l'autre élément (feutre). Insérez ces éléments dans la plaque avec l'éponge face au cache du filtre à air.
- Fixez immédiatement le cache du filtre et serrez-le avec les boulons de fixation. (Lorsque vous le remontez, engagez d'abord la tranche supérieure puis la tranche inférieure.)



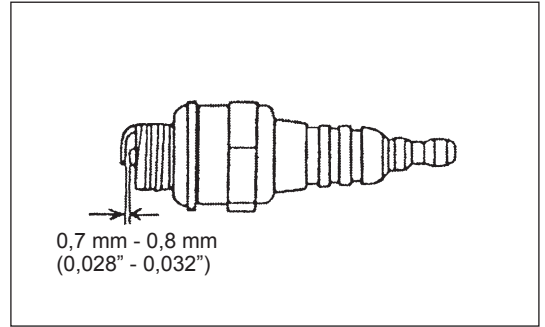
### REMARQUE :

- Nettoyez les éléments plusieurs fois par jour, en cas d'adhérence excessive de poussière. Les éléments sales réduisent la puissance du moteur et compliquent le démarrage de celui-ci.
- Retirez l'huile sur les éléments. Si vous continuez à utiliser les éléments sans nettoyer l'huile qui se trouve dessus, l'huile pourrait déborder du filtre à air et contaminer l'environnement.
- Ne posez pas les éléments sur le sol ou dans un endroit sale. Des impuretés ou des débris pourraient se coller dessus et endommager le moteur.
- N'utilisez jamais de carburant pour nettoyer les éléments. Le carburant peut les endommager.

## VÉRIFICATION DE LA BOUGIE D'ALLUMAGE

- Utilisez uniquement la clé universelle fournie pour retirer ou installer la bougie d'allumage.
- L'écart entre les deux électrodes de la bougie d'allumage doit être de 0,7 à 0,8 mm (0,028 à 0,032 po). Si l'écart est trop important ou pas assez, ajustez-le. Si la bougie d'allumage est obstruée ou encrassée, nettoyez-la bien ou remplacez-la.

ATTENTION : Ne touchez jamais le connecteur de la bougie d'allumage lorsque le moteur fonctionne (danger de choc électrique à haute tension).



## NETTOYAGE DU FILTRE À CARBURANT

### AVERTISSEMENT : PRODUITS INFLAMMABLES STRICTEMENT INTERDITS

Fréquence de nettoyage et d'inspection : Mensuelle (toutes les 50 heures de fonctionnement)

### Hauteur d'aspiration dans le réservoir d'essence

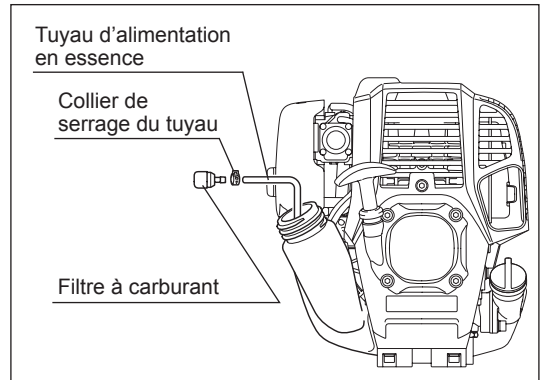
Vérifiez le filtre à carburant périodiquement. Pour contrôler le filtre à carburant, suivez les étapes ci-dessous.

- (1) Retirez le bouchon du réservoir d'essence, vidangez l'essence pour vider le réservoir. Vérifiez l'intérieur du réservoir pour voir s'il reste des substances étrangères. Si c'est le cas, retirez-les.
- (2) Tirez la hauteur d'aspiration à l'aide d'un crochet métallique par l'orifice du réservoir.
- (3) Si le filtre à carburant est un peu obstrué, nettoyez-le. Pour cela, secouez-le et tapotez-le doucement dans le carburant. Pour éviter tout endommagement, ne le pressez et ne le frottez pas. Le carburant utilisé pour le nettoyage doit être mis au rebut selon la méthode spécifiée par la loi en vigueur dans votre pays.

Si le filtre à carburant devient dur ou est trop obstrué, remplacez-le.

- (4) Après le contrôle, le nettoyage ou le remplacement, appuyez sur le filtre à carburant pour le mettre en place en bas du réservoir d'essence.

Un filtre à carburant obstrué ou endommagé peut entraîner une alimentation en essence insuffisante et réduire la puissance du moteur. Remplacez le filtre à carburant au moins tous les trois mois afin de garantir une bonne arrivée d'essence dans le carburateur.



## REMPACEMENT DU TUYAU D'ALIMENTATION EN ESSENCE

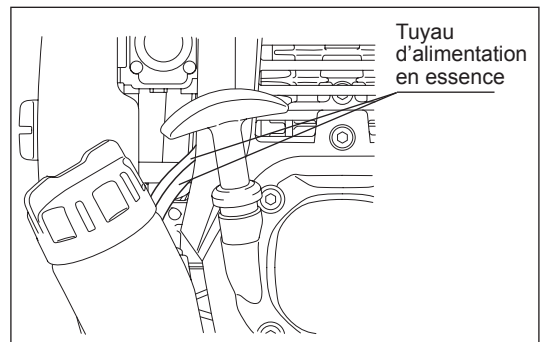
### ATTENTION : PRODUITS INFLAMMABLES STRICTEMENT INTERDITS

Fréquence de nettoyage et d'inspection : Quotidienne (toutes les 10 heures de fonctionnement)

Remplacement : Annuel (toutes les 200 heures de fonctionnement)

Remplacez chaque année le tuyau d'alimentation en essence, indépendamment de la fréquence de fonctionnement. Une fuite d'essence peut provoquer un embrasement.

Si vous détectez une fuite lors de l'inspection, remplacez immédiatement le tuyau d'huile.



## INSPECTION DES BOULONS, ÉCROUS ET VIS

- Resserrez les boulons, écrous, etc. desserrés.
- Vérifiez d'éventuelles fuites d'essence et d'huile.
- Remplacez les pièces endommagées pour un fonctionnement en toute sécurité.

## NETTOYAGE DES PIÈCES

- Veillez toujours à la propreté du moteur.
- Tenez les ailettes du cylindre loin de toute poussière ou impureté. La poussière ou les impuretés adhérant aux ailettes entraîneront un grippage du piston.

## REMPACEMENT DES JOINTS ET GARNITURES

Lorsque vous réassemblez le moteur après l'avoir démonté, veillez à remplacer les joints et les garnitures.

Tout entretien ou réglage non mentionné et décrit dans le présent manuel ne doit être effectué que par un technicien agréé.

## ENTREPOSAGE

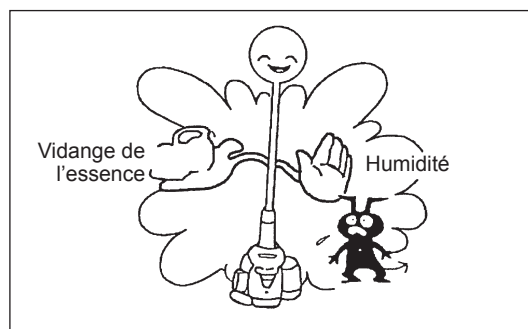


**AVERTISSEMENT :** Lorsque vous vidangez l'essence, coupez le moteur et attendez qu'il refroidisse.  
Immédiatement après l'arrêt, le moteur reste chaud, veillez à ne pas vous brûler, et à éviter tout embrasement et incendie.



**ATTENTION :** Lorsque la machine demeure inutilisée pendant une période prolongée, vidangez entièrement le réservoir d'essence et le carburateur, puis entreposez-les dans un endroit propre et sec.

- Vidangez le réservoir d'essence et le carburateur en procédant comme suit :
  - 1) Retirez le bouchon du réservoir d'essence et vidangez entièrement l'essence.  
S'il reste des substances étrangères dans le réservoir, éliminez-les complètement.
  - 2) Sortez le filtre à carburant par l'orifice de remplissage à l'aide d'un fil métallique.
  - 3) Appuyez sur la pompe d'amorçage jusqu'à ce qu'elle ne contienne plus d'essence, puis vidangez l'essence qui arrive dans le réservoir.
  - 4) Remplacez le filtre sur le réservoir d'essence et serrez bien le bouchon du réservoir.
  - 5) Puis continuez à faire fonctionner le moteur jusqu'à ce qu'il s'arrête.
- Retirez la bougie d'allumage et versez quelques gouttes d'huile moteur dans l'orifice de la bougie.
- Tirez doucement sur le lanceur pour que l'huile moteur se répande dans le moteur et placez la bougie d'allumage.
- Ne mettez pas le levier en position verrouillée si la tête n'est pas montée.  
Si vous le mettez en position verrouillée sans avoir monté la tête, vous ne pourrez pas monter la tige de la tête.
- Règle générale, entreposez la machine en position horizontale. Si cela n'est pas possible, placez-la de manière à ce que le moteur se trouve sous l'outil de coupe. Autrement, une fuite d'huile moteur pourrait se produire de l'intérieur.
- Veillez toujours à entreposer la machine à un endroit sûr, de façon à éviter que la machine soit endommagée et éviter les blessures.
- Conservez l'essence vidangée dans un conteneur spécial, dans un endroit ombragé et bien ventilé.



### Attention après un entreposage de longue durée

- Avant de démarrer la machine après un arrêt prolongé, veillez à remplacer l'huile (reportez-vous à la page 36). L'huile se détériore lorsque la machine demeure inutilisée.

### Emplacement des défaillances

Défaillance	Système	Observation	Cause
Le moteur ne démarre pas ou difficilement	Système d'allumage	L'allumage produit une étincelle (ce qui est normal).  Pas d'allumage	Défaillance au niveau de l'alimentation en essence ou du système de compression, défaut mécanique  Commutateur basculé sur ARRÊT, défaut de câblage ou court-circuit, bougie d'allumage ou connecteur défectueux, module d'allumage défectueux
	Alimentation en essence	Réservoir plein	Position d'étranglement incorrecte, carburateur défectueux, tuyau d'alimentation en essence plié ou obstrué, essence encrassée
	Compression	Aucune compression au démarrage	Joint inférieur du cylindre défectueux, joints du vilebrequin endommagés, garnitures du cylindre ou du piston endommagées, mauvaise étanchéité de la bougie d'allumage
	Défaut mécanique	Démarrateur non engagé	Ressort du démarreur cassé, pièces cassées à l'intérieur du moteur
Problèmes de démarrage à chaud		Réservoir plein, allumage correct	Carburateur encrassé, doit être nettoyé
Le moteur démarre mais se coupe ensuite	Alimentation en essence	Réservoir plein	Réglage du ralenti incorrect, carburateur encrassé  Évent du réservoir d'essence défectueux, tuyau d'alimentation en essence sectionné, défaut de câblage ou commutateur basculé sur ARRÊT
Performances insuffisantes	Plusieurs systèmes peuvent être concernés	Faible vitesse de ralenti	Filtre à air encrassé, carburateur encrassé, silencieux obstrué, tuyau d'échappement du cylindre obstrué

Élément	Temps de fonctionnement		Avant fonctionnement	Après lubrification	Quotidien (10 h)	30 h	50 h	200 h	Arrêt/ Pause	P correspondante
Huile moteur	Inspecter	○								32
	Remplacer						○*1			36
Serrage des pièces (boulon, écrou)	Inspecter	○								38
Réservoir d'essence	Nettoyer/ Inspecter	○								—
	Vidange de l'essence							○*3		39
Levier d'accélérateur	Vérifier fonctionnement			○						—
Commutateur d'arrêt	Vérifier fonctionnement			○						35
Rotation à faible vitesse	Inspecter/ Régler			○						35
Filtre à air	Nettoyer			○						37
Bougie d'allumage	Inspecter			○						38
Tuyau d'air de refroidissement	Nettoyer/ Inspecter			○						38
Tuyau d'alimentation en essence	Inspecter			○						38
	Remplacer							⊙*2		—
Filtre à carburant	Nettoyer/ Remplacer						○			38
Écart entre la valve d'admission d'air et la valve d'évacuation d'air	Ajuster							⊙*2		—
Révision du moteur								⊙*2		—
Carburateur	Vidange de l'essence							○*3		39

\*1 Procédez à un premier remplacement après 20 heures de fonctionnement.

\*2 Pour l'inspection des 200 heures de fonctionnement, consultez un technicien agréé ou un vendeur.

\*3 Après la vidange du réservoir d'essence, continuez à faire fonctionner le moteur et vidangez l'essence du carburateur.

Consultez le manuel d'instructions de chaque tête, puis entretenez-la lorsqu'elle s'use.



## DÉPANNAGE

Avant de demander une réparation, procédez vous-même à une vérification. En cas d'anomalie, contrôlez votre machine conformément à la description du présent manuel. Ne modifiez ni de démontez jamais une pièce d'une autre façon. Pour les réparations, contactez un technicien agréé ou un détaillant.

Anomalie	Cause probable (dysfonctionnement)	Solution
Le moteur ne démarre pas	Impossible d'actionner la pompe d'amorçage	Appuyer 7 à 10 fois
	Vitesse insuffisante de tirage de la corde du lanceur	Tirer fermement
	Pas assez de carburant	Ajouter du carburant
	Filtre à carburant obstrué	Nettoyer
	Tuyau de carburant plié	Réparer le tuyau de carburant
	Carburant détérioré	L'essence usagée perturbe le démarrage. La remplacer. (Remplacement recommandé : Chaque mois)
	Aspiration de carburant excessive	Basculer le levier d'accélérateur de la vitesse moyenne à la grande vitesse, puis tirer le lanceur jusqu'au démarrage du moteur. <b>Une fois le moteur démarré, la rotation ou le mouvement de la tête commence. Faire très attention à la tête.</b> Si le moteur ne démarre toujours pas, retirer la bougie d'allumage, sécher l'électrode puis réinsérer la bougie. Démarrer ensuite comme indiqué.
	Embout de la bougie détaché	Le fixer fermement
	Bougie d'allumage encrassée	Nettoyer
	Écartement anormal des électrodes de la bougie d'allumage	Régler l'écartement
	Autre anomalie de la bougie d'allumage	Remplacer
	Anomalie du carburateur	Demander une inspection et un entretien.
	Impossible de tirer la corde du lanceur	Demander une inspection et un entretien.
Anomalie du système d'entraînement	Demander une inspection et un entretien.	
Le moteur s'arrête rapidement La vitesse du moteur n'augmente pas	Réchauffage insuffisant	Réchauffer le moteur
	Levier d'étrangleur basculé sur « FERMER » même si le moteur est réchauffé.	Basculer sur « OUVRIR »
	Filtre à carburant obstrué	Nettoyer ou remplacer
	Filtre à air encrassé ou obstrué	Nettoyer
	Anomalie du carburateur	Demander une inspection et un entretien.
	Anomalie du système d'entraînement	Demander une inspection et un entretien.
La tête ne pivote pas ou ne bouge pas ↓ Arrêt immédiat du moteur	La tête n'est pas insérée comme il faut.	L'insérer comme indiqué.
	Anomalie du système d'entraînement	Demander une inspection et un entretien.
Le corps de l'outil vibre de façon anormale ↓ Arrêt immédiat du moteur	La tête n'est pas insérée comme il faut.	L'insérer comme indiqué.
	Levier desserré	Le serrer fermement.
	Anomalie du système d'entraînement	Demander une inspection et un entretien.
La tête ne s'arrête pas immédiatement. ↓ Arrêt immédiat du moteur	Vitesse de rotation au ralenti élevée	Ajuster
	Câble de l'étrangleur détaché	Le fixer fermement
	Anomalie du système d'entraînement	Demander une inspection et un entretien.
Le moteur ne s'arrête pas ↓ Faire fonctionner le moteur au ralenti et basculer le levier d'étrangleur sur FERMER	Connecteur détaché	Le fixer fermement
	Anomalie du système électrique	Demander une inspection et un entretien.

Si le moteur ne démarre pas après le réchauffage :

Si vous ne trouvez aucune anomalie après vérification, ouvrez l'étrangleur d'environ 1/3 et démarrez le moteur.
















Muchas gracias por la adquisición de su multifuncional MAKITA. Nos complace recomendarle el multifuncional MAKITA el cual es el resultado de un gran programa de desarrollo y de muchos años de conocimiento y experiencia. Por favor lea este folleto el cual refiere en detalle los varios puntos que se demostrarán sobre su sobresaliente desempeño. Esto le ayudará a obtener un óptimo resultado de su multifuncional MAKITA.



<b>Índice</b>	<b>Página</b>
Símbolos.....	42
Instrucciones de seguridad.....	43
Información técnica .....	46
Aditamentos aprobados.....	47
Identificación de las piezas.....	48
Colocación del mango .....	49
Colocación del aditamento .....	49
Desensamble.....	50
Antes de iniciar la operación .....	51
Manejo correcto del equipo .....	53
Puntos en la operación y cómo detener la operación.....	53
Instrucciones de servicio .....	56
Almacenamiento.....	59

## SÍMBOLOS

Durante la consulta de este manual de instrucciones observará el uso de los siguientes símbolos.

	¡Lea el manual de instrucciones y observe las advertencias y precauciones de seguridad!		¡Use casco protector, así como equipo protector para los ojos y los oídos!
	¡Tenga especial cuidado y atención!		Combustible (Gasolina)
	¡Prohibido!		Encendido manual del motor
	¡No fumar!		Paro de emergencia
	¡No exponer al fuego!		Primeros auxilios
	¡Se debe usar guantes protectores!		ENCENDIDO / INICIAR
	Use botas resistentes con suelas antiderrapantes. ¡Se recomienda el uso de bota de seguridad con punta de acero!		APAGADO / PARAR
	¡Conserve el área de operación despejada de personas y mascotas!		

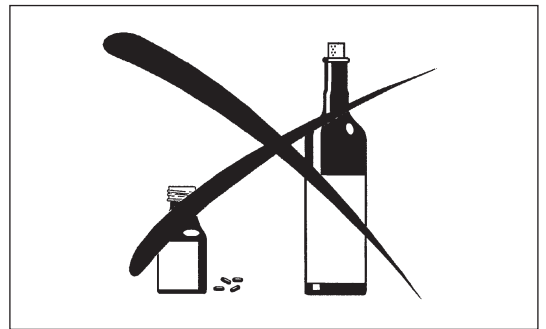
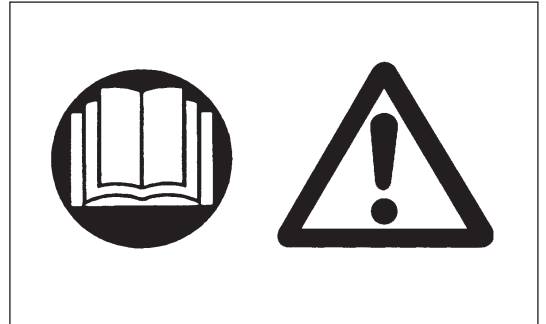
## Uso intencionado de la herramienta

Este multifuncional está diseñado para el accionamiento de los aditamentos aprobados que se listan en este manual de instrucciones. Nunca use este equipo para otros propósitos.

## INSTRUCCIONES DE SEGURIDAD

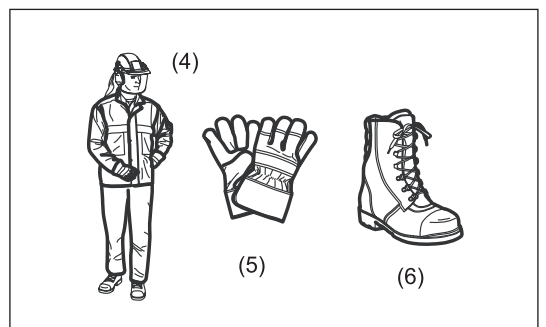
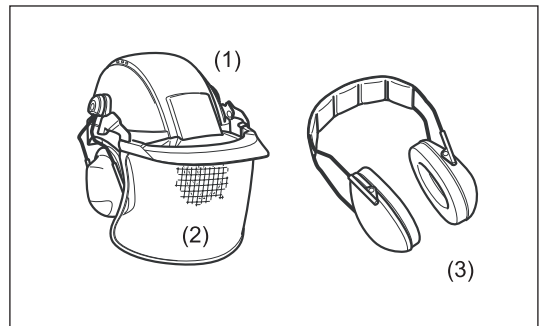
### Instrucciones generales

- Para asegurar una operación adecuada, el usuario debe leer este manual de instrucciones para que se familiarice con el manejo del multifuncional. Los usuarios sin suficiente conocimiento se arriesgarán a sí mismos y a otras personas poniéndose en una situación de peligro debido a un manejo inadecuado.
- Se recomienda sólo prestar el multifuncional a personas que demuestren contar con la experiencia para el manejo del mismo. Proporcione siempre el manual de instrucciones.
- Los usuarios primerizos deberán consultar con su distribuidor sobre las instrucciones básicas para familiarizarse con el manejo del equipo cortador motorizado.
- No se deberá permitir que los niños y jóvenes menores de 18 años operen el multifuncional. Sin embargo, puede que las personas mayores de 16 años usen el equipo para propósitos de entrenamiento, siempre y cuando se encuentren bajo la supervisión de un instructor calificado.
- Proceda con máximo cuidado y atención en el uso del multifuncional.
- Use el multifuncional sólo si se encuentra en buenas condiciones físicas. Realice todo el trabajo tranquila y cuidadosamente. El usuario debe aceptar la responsabilidad por los demás.
- Nunca utilice el multifuncional tras haber consumido bebidas con alcohol, drogas o fármacos, ni cuando se sienta cansado o enfermo.
- La reglamentación de las leyes nacionales puede restringir el uso de la herramienta.



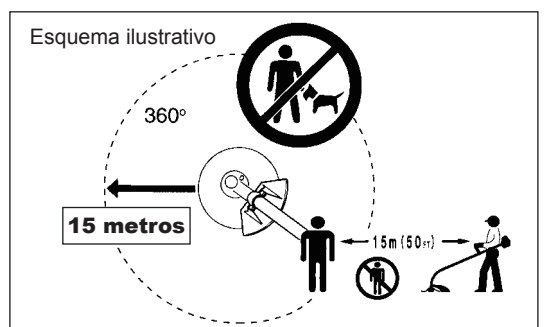
### Equipo protector personal

- La vestimenta a ser usada debe ser funcional y adecuada, es decir, debe quedar ajustada pero sin que estorbe. Evite el uso de joyas o prendas de vestir que podrían enredarse con las ramas o arbustos.
- Para evitar lesiones ya sea en la cabeza, ojos, manos o pies, así como para proteger su audición, se requiere el uso del siguiente equipo protector y prendas protectoras durante la operación del multifuncional.
- Use siempre casco en donde haya riesgo de caída de objetos. El casco protector (1) debe ser revisado durante intervalos periódicos para ver si tiene daños y debe reemplazarse a los 5 años a más tardar. Use sólo cascos protectores aprobados.
- El visor (2) del casco (o gafas protectoras como alternativa) protege la cara del arrojamiento de piedras y otros residuos. Durante la operación del multifuncional use siempre gafas protectoras o visor para evitar lesiones en los ojos.
- Use equipo adecuado de protección contra el ruido para evitar daño auditivo (orejeras (3), tapones para los oídos, etc.).
- Los overoles de trabajo (4) ofrecen protección contra el arrojamiento de piedras y residuos. Recomendamos firmemente que el operador use overol de trabajo.
- Los guantes especiales (5) de cuero o piel gruesa forman parte del equipo prescrito y deben usarse siempre durante la operación del multifuncional.
- Al usar el multifuncional, use siempre calzado resistente (6) con suela antiderrapante. Esto le protegerá de lesiones y asegura que pise firmemente.



### Encendido del multifuncional

- Asegúrese de que no haya niños ni otras personas, así como tampoco animales dentro de una distancia próxima al área de trabajo.
- Asegúrese que el aditamento se encuentre colocado en su lugar, que la palanca de control pueda accionarse fácilmente y compruebe el funcionamiento adecuado de la palanca de bloqueo.
- La rotación del aditamento durante la velocidad en estado pasivo no es permitida. Consulte con su distribuidor para un ajuste en caso de tener duda. Revise que los mangos estén limpios y secos, y compruebe el funcionamiento del interruptor de activación.

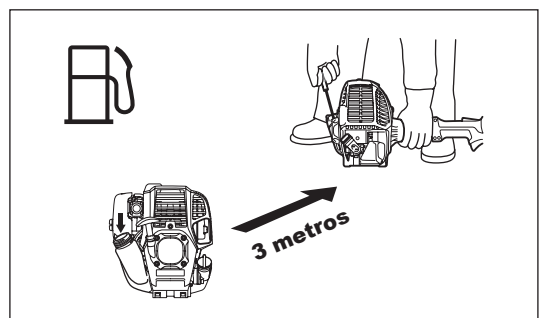
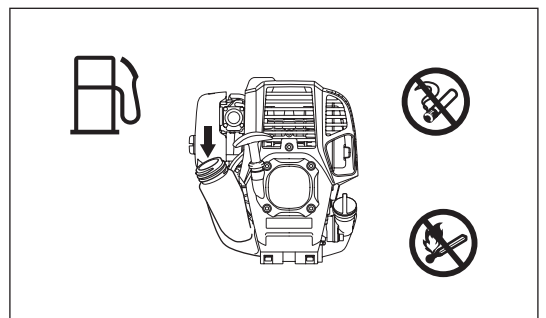
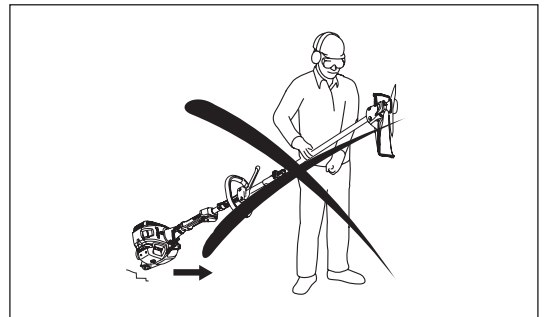
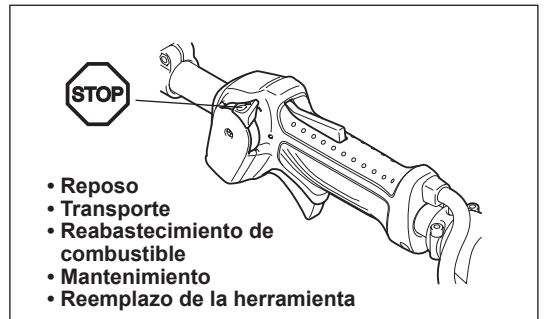
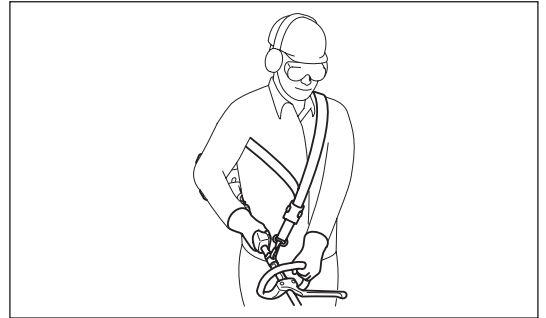
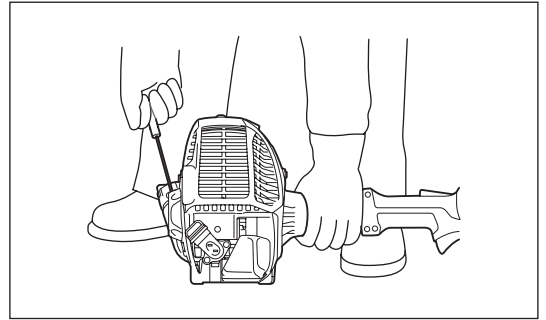


Encienda el multifuncional sólo como se indica en las instrucciones.

- ¡No utilice ningún otro método para arrancar el motor!
- Use el multifuncional y las herramientas sólo para las aplicaciones para las que fueron diseñadas.
- Arranque el motor del multifuncional sólo tras haber realizado el ensamble completo del equipo. ¡La operación de la herramienta sólo se debe permitir tras la colocación de los accesorios como corresponda!
- Antes de arrancar el motor asegúrese que el aditamento no esté haciendo contacto con objetos duros como ramas, piedras, etc., puesto que el aditamento girará al activar la herramienta.
- El motor debe apagarse de inmediato en caso de cualquier problema con el mismo.
- En caso de que el aditamento golpee piedras u otros objetos duros, apague el motor de inmediato y haga una inspección del aditamento.
- Use el multifuncional sólo con la correa de hombro colocada, la cual debe ajustarse adecuadamente antes de poner en operación el multifuncional. Es esencial ajustar la correa de hombro de acuerdo al tamaño del usuario para prevenir el cansancio durante la operación. Nunca sostenga la herramienta con una sola mano durante su uso.
- Sostenga el multifuncional siempre con ambas manos durante la operación. Asegúrese siempre de pisar el suelo con firmeza y estabilidad.
- Opere el multifuncional de tal forma que evite la inhalación de los gases de escape. Nunca active el motor en lugares cerrados (riesgo de intoxicación). El monóxido de carbono es un gas inoloro.
- Apague el motor al tomar un descanso y al no tener su atención sobre el multifuncional, y colóquelo en un lugar seguro para prevenir peligros para otras personas y para evitar daños en el equipo en sí.
- Nunca coloque el multifuncional caliente sobre césped seco ni sobre algún material que pudiera prender fuego.
- Todos los aditamentos de protección incluidos con la herramienta deben usarse durante la operación del equipo.
- Nunca opere el motor con un mofle defectuoso.
- Apague el motor al transportar el equipo de un lugar a otro.
- Durante la transportación del equipo por grandes distancias, se deberá colocar siempre la protección incluida con el equipo.
- Asegure una posición segura del multifuncional en el vehículo durante el transporte para evitar fugas del combustible.
- Durante el transporte del multifuncional, asegúrese que el tanque se encuentre completamente vacío.
- Al descargar el multifuncional del vehículo, nunca deje caer el motor al suelo ya que podría dañarse el tanque de combustible severamente.
- Salvo en caso de emergencia, nunca deje caer ni arroje el multifuncional al suelo ya que podría dañarse severamente.
- Recuerde levantar el equipo por completo del suelo al moverlo de lugar. Arrastrar el tanque de combustible es altamente peligroso, pudiendo causar daños y fuga de combustible, y posiblemente un incendio.
- Si el equipo recibe un golpe fuerte o cae al suelo, revise su condición antes de continuar el trabajo. Revise el sistema de combustible para ver si hay fugas, así como los controles y dispositivos de seguridad para ver si hay alguna falla. Si hay cualquier daño o algo le resulta dudoso, solicite una inspección y servicio de reparación en nuestro centro de servicio autorizado.

### Reabastecimiento de combustible

- Apague el motor al estar reabasteciendo el combustible, así mismo manténgase alejado de llamas y no fume.
- Evite el contacto de la piel con productos de aceite mineral. No inhale los vapores o emisiones del combustible. Use siempre guantes protectores durante el reabastecimiento de combustible. Cambie y limpie la vestimenta protectora de forma periódica.
- Tenga la precaución de no derramar combustible ni aceite para prevenir la contaminación del suelo (protección ambiental). Limpie el multifuncional inmediatamente tras el derrame.
- Evite cualquier contacto del combustible con su vestimenta. Cambie su vestimenta de inmediato si se ha derramado combustible en ella (para evitar el riesgo de incendio).
- Inspeccione la tapa del depósito de combustible de forma periódica para asegurarse que quede bien sellada al cerrar y que no tenga fugas.
- Apriete a conciencia la tapa del tanque de combustible. Cambie de lugar para arrancar el motor (al menos a 3 metros [10 pies] de donde reabasteció el combustible).
- Nunca reabastezca el combustible en lugares cerrados. Las emisiones pueden acumularse al nivel del suelo (generando un riesgo de explosión).
- Transporte y almacene el combustible solamente en contenedores diseñados para ello. Asegúrese de que el combustible almacenado no esté al alcance de los niños.

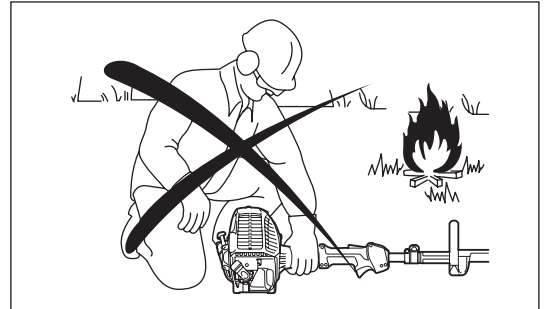


## Método de operación

- Use el multifuncional sólo en condiciones con buena iluminación y visibilidad. Durante la época invernal, tenga especial cuidado con las áreas resbalosas y mojadas, así como con el hielo y la nieve (riesgo de resbalones). Siempre asegúrese de pisar suelo firme.
- Nunca active el multifuncional al estar sobre una escalera.
- Nunca trepe los árboles para realizar operaciones de corte con el multifuncional.
- No trabaje nunca sobre superficies inestables.
- El aditamento deberá haber alcanzado velocidad completa antes de comenzar a utilizarse.
- Tome un descanso para prevenir la pérdida del control debido al cansancio. Recomendamos tomar un descanso de 10 a 20 minutos por cada hora de trabajo.

## Instrucciones de mantenimiento

- Lleve su equipo a que le den servicio de mantenimiento en un centro autorizado de servicio, y siempre uso piezas de repuesto originales. La reparación incorrecta y el mantenimiento deficiente pueden acortar la vida útil del equipo y aumentar el riesgo de accidentes.
- Opere el multifuncional con el menor ruido y contaminación posibles. Revise en particular el correcto ajuste del carburador.
- Limpie el multifuncional periódicamente y revise que todas la tuercas y tornillos estén bien apretados.
- Nunca dé servicio ni almacene el multifuncional en cercanía de las llamas de algún fuego.
- Almacene siempre el multifuncional en lugares bajo llave y con el tanque de combustible vacío.



Siga las indicaciones relevantes para la prevención de accidentes emitidas por las asociaciones comerciales competentes y compañías aseguradoras.

No haga ninguna modificación en el multifuncional ya que esto pondría en riesgo su seguridad.

Llevar a cabo el servicio de mantenimiento o reparación por el usuario se limita a aquellas actividades que aparecen descritas en el manual de instrucciones. Todo lo demás debe ser realizado por un agente de servicio autorizado. Use sólo piezas de repuesto y accesorios originales que sean suministrados y comercializados por MAKITA.

El uso de accesorios y herramientas no aprobados implica un aumento del riesgo de accidentes.

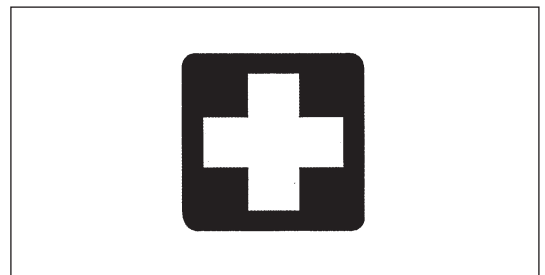
MAKITA no aceptará responsabilidad alguna por accidentes o daños causados por el uso de aditamentos no aprobados, ni por la colocación a dispositivos de aditamentos o accesorios no aprobados.

## Primeros auxilios

En caso de accidentes, asegúrese de contar con un botiquín de primeros auxilios a su alcance durante las operaciones de corte. Reemplace inmediatamente cualquier artículo que haya utilizado de su botiquín.

## Al solicitar ayuda, por favor proporcione la siguiente información:

- Lugar del accidente
- Lo sucedido
- Número de personas lesionadas
- Tipo de lesiones
- Su nombre



## Vibración

- Puede que las personas con deficiencia en su circulación sanguínea que estén expuestas a vibración excesiva sufran de lesiones en los vasos sanguíneos o el sistema nervioso. Puede que la vibración cause los siguientes síntomas generados en los dedos, manos o muñecas: Entumecimiento (adormecimiento de las partes del cuerpo), sensación de hormigueo, dolor y punción, así como alteraciones de la piel o del color de ésta. ¡Acuda a su médico si experimenta cualquiera de estos síntomas!
- Para reducir el riesgo de "enfermedad de dedeo blanco", mantenga sus manos tibias durante la operación y dé un mantenimiento adecuado al equipo y los accesorios.

## INFORMACIÓN TÉCNICA - EX2650LH

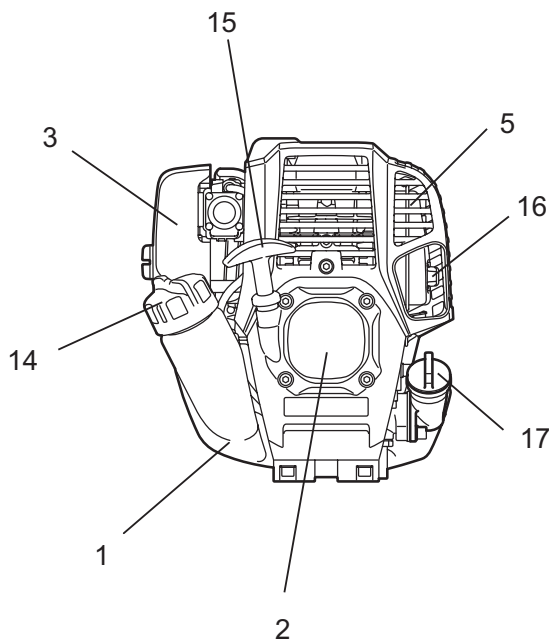
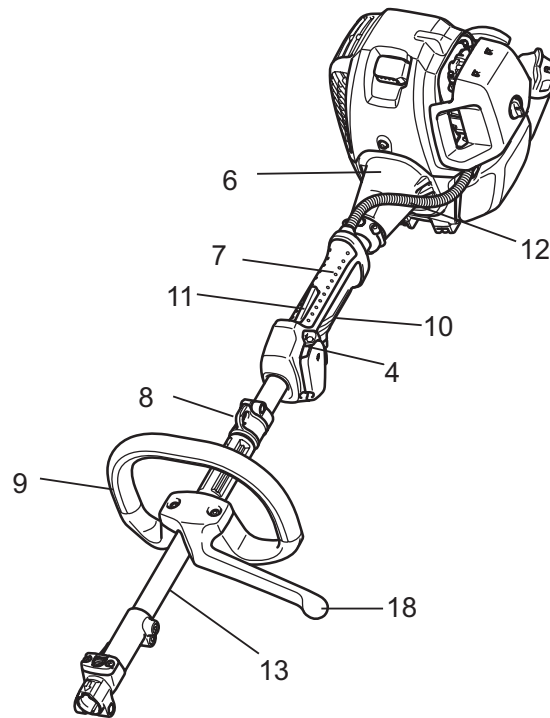
Modelo	EX2650LH	
Tipo de mango	Mango tipo redondo	
Dimensiones: longitud x amplitud x altura (sin cuchilla de corte) con tope	pulgada (mm)	38-3/8"x12-3/4"x9-1/2" (975 mm x 323 mm x 241 mm)
Dimensiones: longitud x amplitud x altura (sin cuchilla de corte) sin tope	pulgada (mm)	38-3/8"x9-1/2"x9-1/2" (975 mm x 242 mm x 241 mm)
Peso (sin protector plástico ni cuchilla de corte)	lbs (kg)	10 lbs (4,6 kg)
Volumen (tanque de combustible)	fl.oz (L)	20,3 fl.oz (0,6 L)
Volumen (depósito de aceite)	fl.oz (L)	2,7 fl.oz (0,08 L)
Desplazamiento del motor	pulg.cúb. (cm <sup>3</sup> )	1,5 pulg.cúb. (25,4 cm <sup>3</sup> )
Máximo rendimiento del motor	hp (kW)	1,1 hp (0,77 kW) a 7 000 r/min
Velocidad del motor a velocidad máxima recomendada del eje	r/min	10 000 r/min
Velocidad en estado pasivo	r/min	3 000 r/min
Velocidad con accionamiento del embrague	r/min	3 900 r/min
Carburador	Tipo de diafragma	
Sistema de encendido	Tipo magnetizado sin contacto	
Bujía de encendido	tipo	NGK CMR4A
Separación de electrodos	pulgada (mm)	0,028" - 0,032" (0,7 mm - 0,8 mm)
Combustible	Gasolina para automóvil	
Aceite para motor	Aceite clase SF o superior de clasificación API, o 10W-30 de clasificación SAE (para motor de automóvil de 4 tiempos)	

## **ADITAMENTOS APROBADOS**

ADITAMENTOS	Modelos
Accesorio para Desbrozadora	EM400MP, EM401MP, EM403MP, EM404MP
Accesorio para Desbrozadora	ER400MP, EM405MP, EM406MP
Accesorio para Sierra de Extensión	EY400MP, EY401MP
Accesorio para Cortasetos	EN400MP, EN401MP, EN410MP
Accesorio de Corte a Ras de Piso	EN420MP
Accesorio para Cultivador	KR400MP
Accesorio para Cosecha de Café	EJ400MP
Accesorio Rebordeador	EE400MP
Extensión del Eje	LE400MP

## IDENTIFICACIÓN DE LAS PIEZAS

### EX2650LH



MX	IDENTIFICACIÓN DE LAS PIEZAS
1	Tanque de combustible
2	Bobina del arrancador
3	Filtro de aire
4	Interruptor I-O (encendido / apagado)
5	Mofle de escape
6	Carcasa del embrague
7	Empuñadura trasera
8	Colgador
9	Mango
10	Palanca de aceleración
11	Palanca de desbloqueo
12	Cable de control
13	Eje
14	Tapa de abastecimiento de combustible
15	Perilla del arrancador
16	Tubo de escape
17	Tapa del aceite
18	Tope*

Nota: En algunos países, el tope no se incluye con la herramienta.



## COLOCACIÓN DEL MANGO

PRECAUCIÓN: Antes de realizar cualquier servicio de mantenimiento sobre el multifuncional, siempre apague el motor y quite la bujía de encendido de su enchufe respectivo.  
¡Use siempre guantes protectores!

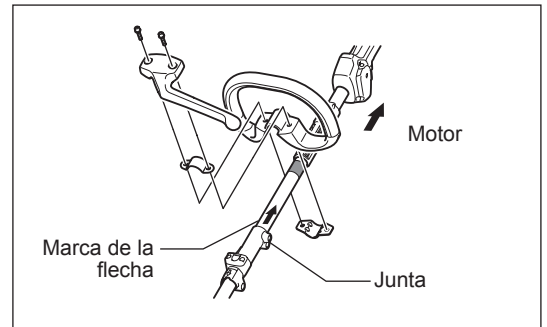
PRECAUCIÓN: Arranque el multifuncional sólo tras haberlo ensamblado por completo.

### Ensamble del mango redondo

- Ajuste el tope y la empuñadura firmemente sobre el tubo del eje con dos tornillos y prensas. En este momento, coloque el tope sobre el lado izquierdo del equipo como se muestra en la ilustración.
- Asegúrese que el ensamble de empuñadura/tope se encuentre colocado entre el separador y la marca de la flecha. No quite ni reduzca el separador.
- Una vez ensamblado, no quite el tope.

PRECAUCIÓN: Nunca instale la empuñadura sobre la etiqueta o la junta.

Nota: En algunos países, el tope y la marca de la flecha no se incluyen con la herramienta.



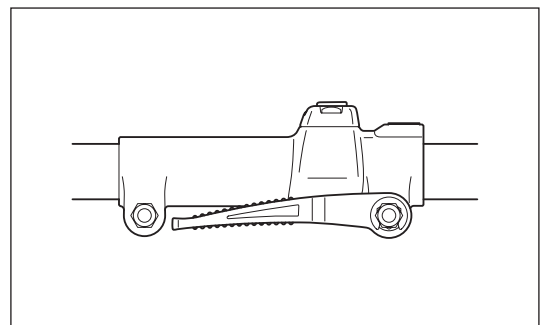
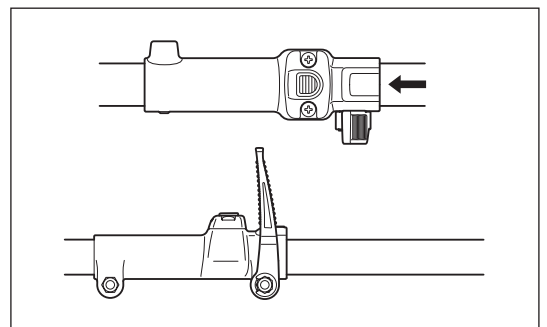
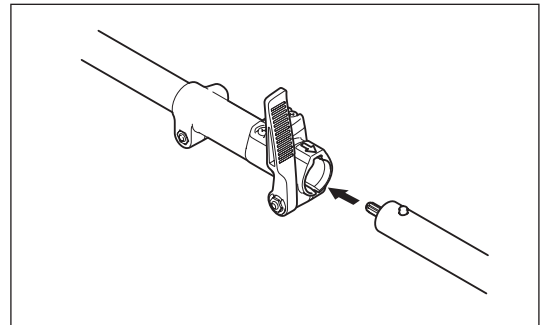
## COLOCACIÓN DEL ADITAMENTO

PRECAUCIÓN: Antes de realizar cualquier servicio de mantenimiento sobre el multifuncional, siempre apague el motor y quite la bujía de encendido de su enchufe respectivo.  
¡Use siempre guantes protectores!

PRECAUCIÓN: Arranque el multifuncional sólo tras haberlo ensamblado por completo.

### Ensamble

- Afloje la palanca.
- Alinee la clavija del aditamento con la ranura en la junta e inserte la clavija.
- Inserte el aditamento hasta la posición de la flecha en éste. Compruebe que el botón se haya levantado.
- Apriete la palanca.  
(Vea la ilustración a la derecha para una guía visual.)

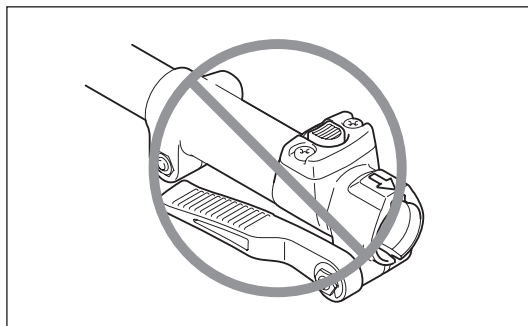
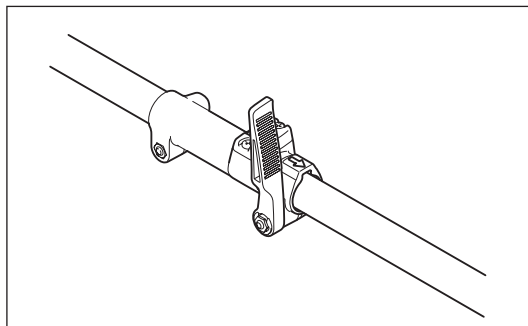


## DESENSAMBLE

- Afloje la palanca.
- Presione el botón y extraiga el aditamento.  
(Procure tanto como sea posible extraer el aditamento en línea recta.)

### Nota:

- No deje la palanca en estado apretado cuando no se encuentre colocado el aditamento.



## ANTES DE INICIAR LA OPERACIÓN

### Inspeccione y resuministre el aceite para motor

- Realice el siguiente procedimiento, con el motor frío.
- Ajuste el nivel del motor, quite la tapa del aceite (Fig. 1) y verifique si el aceite se encuentra o no dentro del rango entre las marcas de los límites superior e inferior del conducto del aceite (Fig. 2).
- Llene con aceite hasta la marca del límite superior en caso de que no haya suficiente aceite (cuando el nivel de aceite se aproxime a la marca del límite inferior) (Fig. 3).
- El área alrededor de las marcas externas es transparente, por lo que es posible verificar la cantidad de aceite que hay adentro sin tener que quitar la tapa del aceite. Sin embargo, cuando el conducto del aceite se ensucia demasiado, puede que no sea posible tener visibilidad y el nivel de aceite tendrá que verificarse contra la sección escalonada por dentro del conducto del aceite.
- Para referencia, el tiempo de resuministro de aceite es de aproximadamente 10 h (cada 10 resuministros).  
Si el aceite cambia de color o se mezcla con partículas de polvo o mugre, reemplace con aceite nuevo (para el intervalo y método de reemplazo, consulte P 56).

**Aceite recomendado:** Aceite SAE 10W-30 de Clasificación API, clase SF o superior (para motor de automóvil de 4 tiempos)

**Volumen de aceite:** Aprox. 0,08L

Nota: Si no se proporciona un mantenimiento adecuado al motor, puede que se fugue aceite alrededor de éste y que se resuministre aceite en exceso.

Si se suministra aceite por encima del límite, puede que el aceite se contamine o prenda llama mediante el humo blanco.

#### Punto 1 en el reemplazo del aceite: "Tapa del aceite"

- Elimine el polvo o tierra cerca del puerto de resuministro de aceite y quite la tapa del aceite.
- Mantenga la tapa del aceite que ha retirado libre de polvo, tierra o arena. De lo contrario, puede que cualquier partícula de polvo o tierra adherida a la tapa del aceite cause una circulación irregular o que desgaste las piezas del motor, lo cual resultaría en problemas.

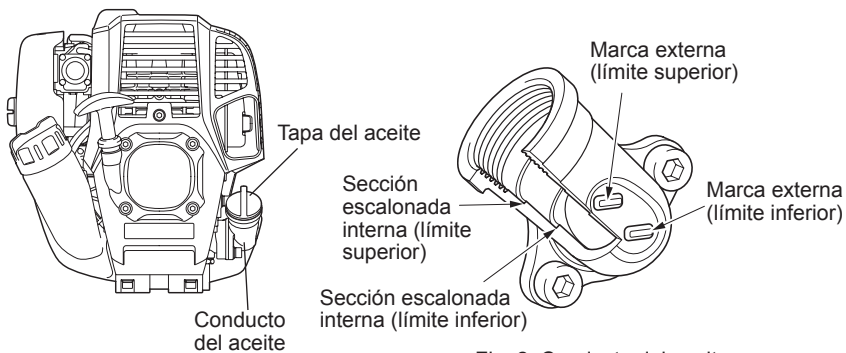


Fig. 1

Fig. 2 Conducto del aceite

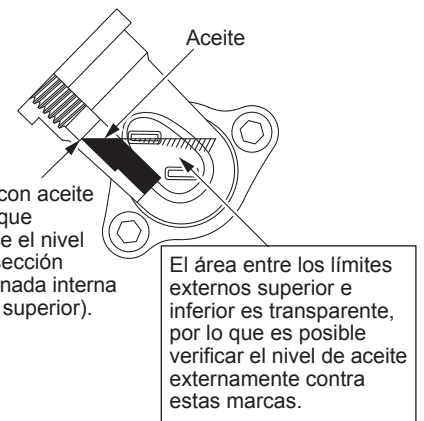
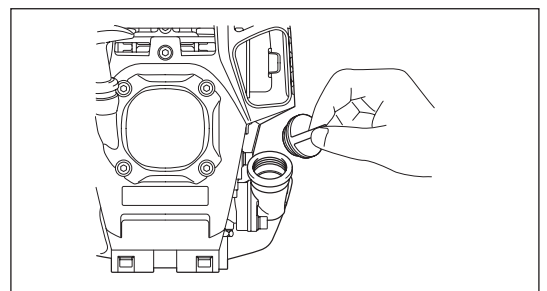
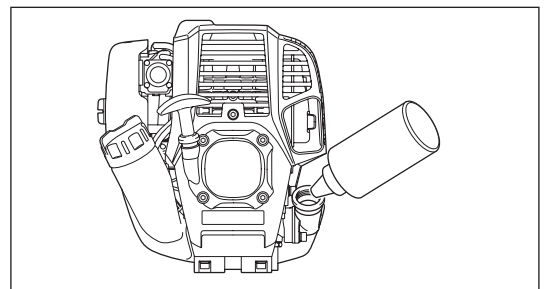


Fig. 3

(1) Mantenga el nivel de aceite y retire la tapa del aceite.



(2) Llene con aceite hasta la marca del límite superior (ver Fig. 3).  
Use la botella de aceite al verterlo.



(3) Apriete firmemente la tapa del aceite. Puede que un apretado insuficiente cause una fuga de aceite.

### Nota

- No cambie el aceite estando el motor en una posición inclinada.
- Suministrar aceite con el motor inclinado resultará en un suministro excesivo lo cual causará contaminación de aceite y/o humo blanco.

### Punto 2 en el cambio de aceite: “Si hay derrame de aceite”

- Si el aceite se derrama entre el tanque de combustible y la unidad principal, el aceite se absorbe a través del puerto de la rejilla de ventilación, con lo cual se contaminará el motor. Asegúrese de limpiar con un paño el derrame antes de iniciar la operación.

## REABASTECIMIENTO DE COMBUSTIBLE

### Manejo del combustible

El manejo de combustible requiere del máximo cuidado. Puede que el combustible contenga sustancias similares a los disolventes. El suministro de combustible debe realizarse en un lugar con suficiente ventilación o al aire libre. Nunca inhale el vapor y manténgase alejado del combustible. Si su piel llega a tener contacto con el combustible en repetidas o prolongadas ocasiones, la piel se reseca con lo cual puede que se desarrolle una alergia o enfermedad de la piel. Si los ojos llegan a tener contacto con el combustible, lávelos con agua fresca. Si persisten las molestias con los ojos, consulte a su médico.

### Periodo de almacenamiento del combustible

El combustible deberá usarse dentro de un periodo de 4 semanas, aún cuando éste sea almacenado en un contenedor especial en un lugar bien ventilado sin exposición al sol.

Si un contenedor especial no es utilizado o si éste no es cerrado, puede que el combustible se deteriore en un día.

### ALMACENAMIENTO DEL EQUIPO Y RESUMINISTRO DEL TANQUE

- Conserve el equipo y tanque en un lugar fresco y sin exposición directa a la luz del sol.
- Nunca almacene el combustible en algún gabinete, cajón o similar.

## Combustible

El motor es de cuatro tiempos. Asegúrese de utilizar gasolina para automóvil (gasolina común o de calidad superior).

### Puntos para el combustible

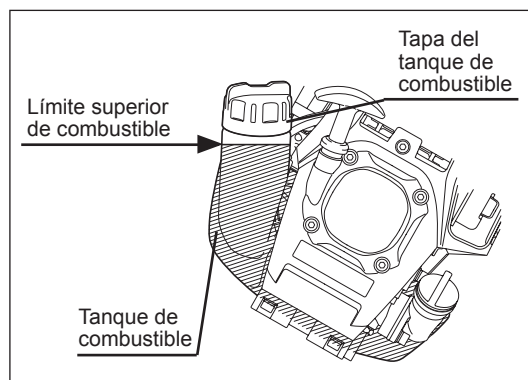
- Nunca use gasolina mezclada que contenga aceite para motor. De lo contrario, se producirá un exceso en la acumulación de carbono o se ocasionarán problemas mecánicos.
- El uso de aceite deteriorado causará un arranque irregular.

### Reabastecimiento de combustible

#### ADVERTENCIA: EL USO DE SUSTANCIAS O MATERIAL INFLAMABLE QUEDA ESTRICTAMENTE PROHIBIDO

**Gasolina a ser usada:** Gasolina para automóvil (sin plomo)

- Afloje la tapa del tanque levemente de tal forma que no haya diferencia con la presión atmosférica.
  - Luego quite la tapa del tanque y reabastezca el combustible, eliminando el aire al inclinar el tanque de combustible de tal forma que el puerto para suministro quede orientado hacia arriba (nunca suministre el combustible a través del puerto de suministro de aceite).
  - Limpie bien el borde y alrededor de la tapa del tanque para prevenir que partículas ajenas se introduzcan al tanque de combustible.
  - Apriete fijamente la tapa del tanque tras reabastecer el combustible.
- 
- Si observa cualquier desperfecto o daño en la tapa del tanque, reemplácela.
  - La tapa del tanque es propensa a desgastarse con el uso, por lo tanto deberá renovarla cada dos a tres años.



## MANEJO CORRECTO DEL EQUIPO

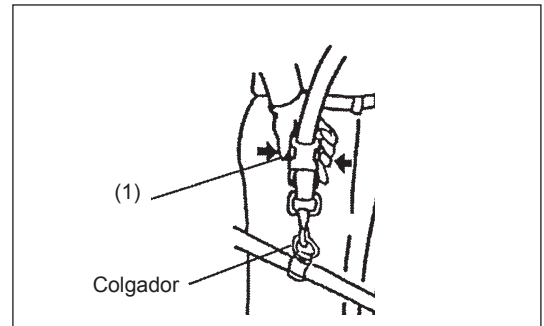
### Colocación de la correa de hombro

- Ajuste la correa a la longitud adecuada para su operación.

### Desprendimiento

- En una emergencia, presione las muescas (1) a ambos lados para que el equipo pueda desprenderse de usted.  
Tenga extremo cuidado en mantener control sobre el equipo durante este momento. No deje que el equipo se desvíe hacia usted ni hacia otra persona alrededor.

ADVERTENCIA: No tener un completo control del equipo puede resultar en serias lesiones al cuerpo o incluso la MUERTE.



## PUNTOS EN LA OPERACIÓN Y CÓMO DETENER LA OPERACIÓN

¡Siga las normas correspondientes para la prevención de accidentes!

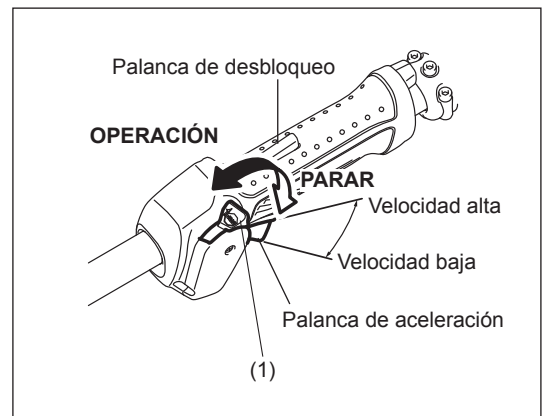


### ARRANQUE DEL MOTOR

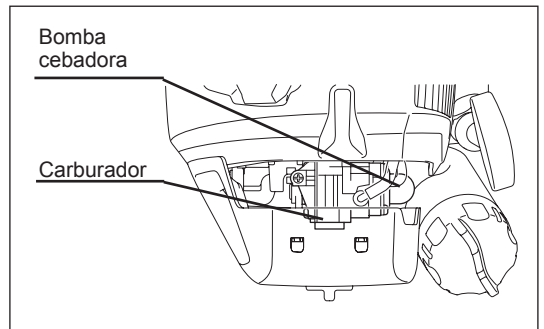
Aléjese al menos 3 metros del lugar en donde realizó el reabastecimiento de combustible. Coloque el multifuncional sobre una parte despejada del suelo cuidando que el aditamento no tenga contacto con el suelo ni con ningún otro objeto.

#### A: Arranque en frío

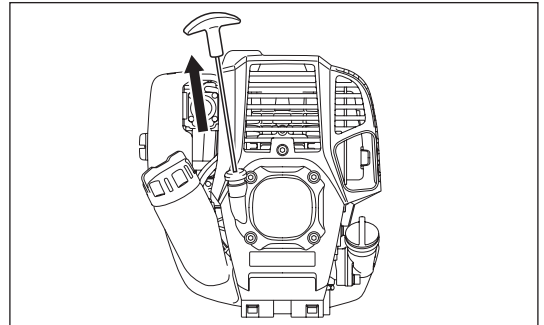
- 1) Coloque este equipo sobre una superficie plana.
- 2) Ajuste el interruptor I-O (1) a OPERACIÓN.



- 3) Bomba cebadora  
Continúe bombeando el cebador hasta que el combustible ingrese a la bomba.  
(Por lo general, el combustible ingresa a la bomba tras 7 a 10 bombeos.)  
Si la bomba cebadora es bombeada en exceso, se retornará un exceso de combustible al tanque.



- 4) Arrancador de retroimpacto  
Jale la manija del arrancador suavemente hasta el primer indicio de resistencia (punto de compresión). Luego, regrese la manija y vuelva a jalarla con fuerza.  
Nunca jale el cordón hasta el máximo. Una vez que se jale la manija de arranque, no la suelte de inmediato; continúe sujetándola mientras la regresa a su posición original.
- 5) Operación de calentamiento  
Continúe la operación de calentamiento durante 2 a 3 minutos.



Nota: En caso de una entrada excesiva de combustible, retire la bujía de encendido y jale el mango del arrancador lentamente para eliminar el exceso de combustible. También, seque la sección del electrodo de la bujía de encendido.

### Precaución durante la operación:

Si la palanca de aceleración se abre por completo en una operación sin carga, la rotación del motor se incrementa a 10 000 r/min o más. Nunca opere el motor a una velocidad mayor de la necesaria, procurando que esté a una velocidad de entre 6 000 r/min y 8 500 r/min.

### B: Arranque tras la operación de calentamiento

- 1) Bombee el cebador repetidamente.
- 2) Mantenga la palanca de aceleración en el estado pasivo.
- 3) Jale el arrancador de retroimpacto con fuerza.
- 4) Si se dificulta arrancar el motor, abra el acelerador alrededor de 1/3.  
Esté atento del aditamento el cual puede girar.

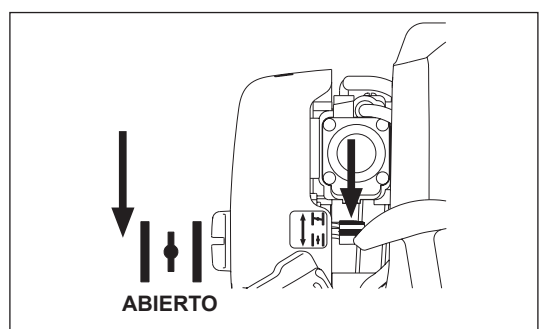
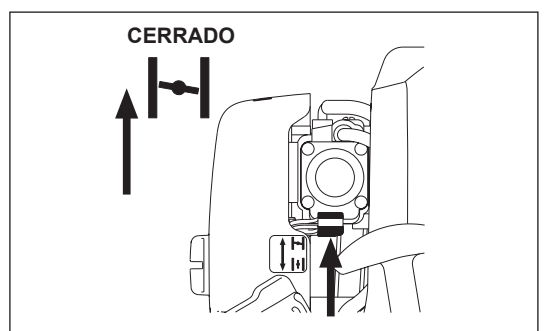
### En ciertas ocasiones, como en el invierno, cuando se dificulta echar a andar el motor

Opere la palanca dosificadora con el siguiente procedimiento al echar a andar el motor.

- Tras ejecutar los pasos de arranque del 1) al 3), ajuste la palanca dosificadora a la posición CERRADO.
- Ejecute el paso 4 de arranque y eche a andar el motor.
- Una vez que el motor arranque, ajuste la palanca dosificadora en la posición ABIERTO.
- Ejecute el paso 5 de arranque y complete la fase de calentamiento del motor.

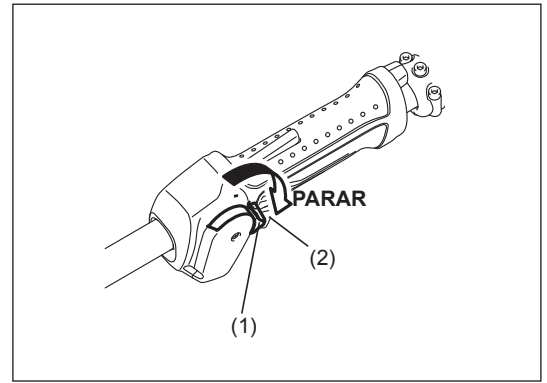
PRECAUCIÓN: Si se genera un sonido explosivo y el motor se detiene, o si el motor se detiene justo después de echarse a andar antes de haber operado la palanca dosificadora, retorne la palanca dosificadora a la posición ABIERTO, y jale la perilla del arrancador algunas cuantas veces para echar a andar de nuevo el motor.

PRECAUCIÓN: Si la palanca dosificadora se deja en la posición CERRADO, y la perilla del arrancador apenas se jala repetidamente, se suministrará demasiado combustible que dificultará el arranque del motor.



## PARO DE LA OPERACIÓN

- 1) Libere la palanca de aceleración (2) por completo, y al desacelerarse la velocidad del motor, ajuste el interruptor I-O a la posición de PARAR y el motor parará.
- 2) Tenga en cuenta que puede que el aditamento no se detenga inmediatamente y permita que se desacelere por completo.

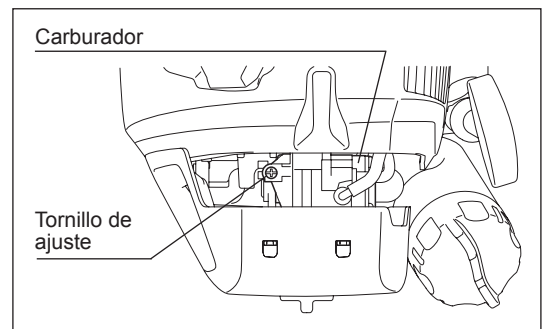


## AJUSTE DE LA ROTACIÓN DE BAJA VELOCIDAD (ESTADO PASIVO)

Cuando sea necesario, ajuste la rotación de baja velocidad (estado pasivo) mediante el tornillo de ajuste del carburador.

## REVISIÓN DE LA ROTACIÓN DE BAJA VELOCIDAD

- Ajuste la rotación de baja velocidad a 3 000 r/min. En caso de que sea necesario cambiar la velocidad de rotación, regule mediante el tornillo de ajuste (que se ilustra a la derecha), con un destornillador Phillips.
- Gire el tornillo de ajuste a la derecha para incrementar la rotación del motor. Gire el tornillo de ajuste a la izquierda para reducir la rotación del motor.
- Por lo general el carburador viene preajustado de fábrica. De ser necesario reajustarlo, póngase en contacto con un Agente de Servicio Autorizado.



## INSTRUCCIONES DE SERVICIO

**PRECAUCIÓN:** Antes de proporcionar cualquier servicio al multifuncional, siempre apague el motor y quite la bujía de encendido de su enchufe respectivo (consulte "revisión de la bujía de encendido").

¡Use siempre guantes protectores!

Nunca use gasolina, bencina, diluyentes (tíner), alcohol o alguna sustancia similar. El uso de estas sustancias podría generar decoloraciones, deformaciones o grietas.

Para asegurar un largo tiempo de vida útil y evitar daños al equipo, las siguientes operaciones de servicio de mantenimiento deben realizarse en intervalos periódicos.

### Revisión y mantenimiento diarios

- Antes de la operación, revise el equipo para ver si hay tornillos sueltos o piezas ausentes. Ponga particular atención al aditamento en específico que requiera fijarse en su lugar firmemente.
- Antes de la operación, siempre revise si hay congestión por residuos en el conducto de aire para el enfriamiento, así como en las rendijas del cilindro.  
Límpielas en caso de requerirse.
- Realice diariamente el siguiente trabajo tras la utilización:
  - Limpie el multifuncional externamente e inspeccione para ver si hay daños.
  - Limpie el filtro de aire. Al trabajar en entornos con demasiado polvo, limpie el filtro varias veces al día.
  - Revise que haya suficiente diferencia entre las velocidades en estado pasivo y en estado de operación para asegurar que el aditamento se detenga por completo mientras el motor esté en estado pasivo (reduzca la velocidad en estado pasivo en caso de ser necesario).  
Si la ejecución en la herramienta continúa mientras se encuentra en estado pasivo, acuda a su Agente de Servicio Autorizado más cercano.
- Compruebe el funcionamiento del interruptor I-O, de la palanca de desbloqueo, y de la palanca de aceleración.

### REEMPLAZO DEL ACEITE PARA MOTOR

El aceite deteriorado puede acortar la vida útil de las piezas deslizantes y giratorias en gran medida. Asegúrese de verificar el periodo y cantidad de aceite a ser reemplazado.



**ATENCIÓN:** En general, el motor de la unidad principal y el aceite para motor permanecen calientes tras haber apagado el motor. En el reemplazo de aceite, confirme que el motor de la unidad principal y el aceite para motor se hayan enfriado lo suficiente. De lo contrario, puede que quede riesgo de quemaduras.

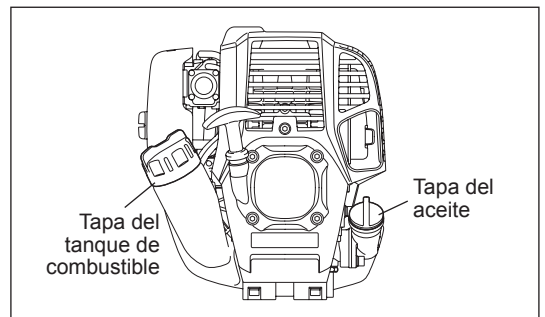
**Nota:** Si el aceite es suministrado por encima del límite, puede que éste se contamine o que se prenda en llamas con el humo blanco.

**Intervalo de reemplazo:** Inicialmente, cada 20 horas de uso y subsecuentemente cada 50 horas de operación

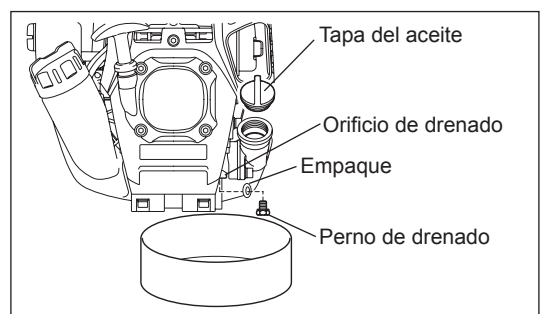
**Aceite recomendado:** Aceite SAE 10W-30 de Clasificación API, clase SF o superior (para motor de automóvil de 4 tiempos)

En el reemplazo, realice el siguiente procedimiento.

- 1) Confirme que la tapa del tanque de combustible esté apretada firmemente.
- 2) Coloque un contenedor grande (cazuela, etc) bajo el orificio de drenado.



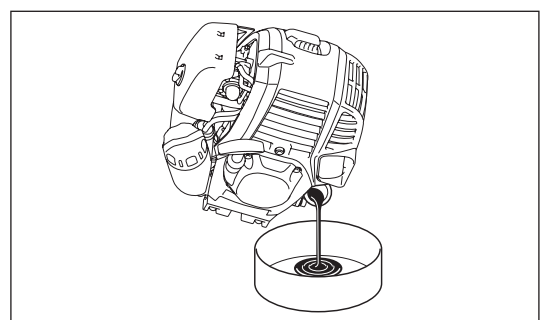
- 3) Quite el perno de drenado y luego la tapa del aceite para drenar el aceite desde el orificio de drenado.  
En este momento, asegúrese de no extraviar el empaque del perno de drenado, y evite que alguno de los componentes extraídos se ensucie.
- 4) Una vez que se haya drenado todo el aceite, vuelva a colocar el empaque con el perno de drenado y coloque en la herramienta apretando firmemente para que no quede suelto ni se generen fugas.  
\* Use un paño para limpiar cualquier residuo de aceite en el perno y el equipo.



#### Método alternativo de drenado

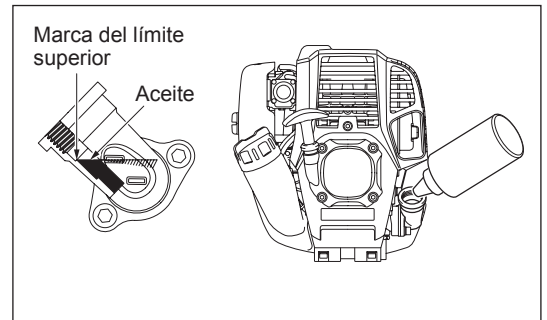
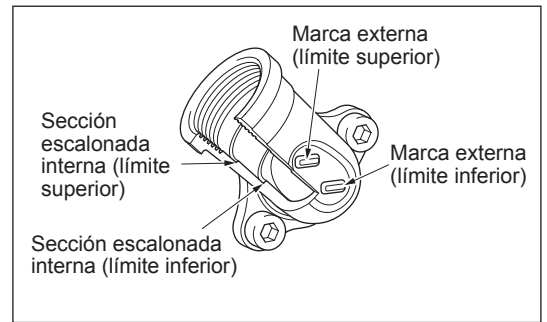
Quite la tapa del aceite e incline el multifuncional hacia el orificio de suministro de aceite para drenarlo.

Recolecte el aceite en un contenedor.





- 5) Ajuste el nivel del motor y gradualmente llene con aceite nuevo hasta la marca del límite superior.
- 6) Tras el suministro, coloque la tapa del aceite y apriétela con firmeza de tal forma que no quede suelta y se generen fugas. Puede que haya fugas si la tapa del aceite no queda bien apretada.



### PUNTOS SOBRE EL ACEITE

- Nunca deseche el aceite viejo del motor en la basura, ni lo tire al suelo o drenaje. El desecho de aceite está reglamentado por la ley. Al desechar, siempre acate las leyes y reglamentaciones correspondientes. Para cualquier otro punto desconocido, póngase en contacto con un Agente de Servicio Autorizado.
- El aceite se deteriora incluso si se conserva sin usar. Realice la inspección y el reemplazo a intervalos periódicos (reemplace con nuevo aceite cada 6 meses).

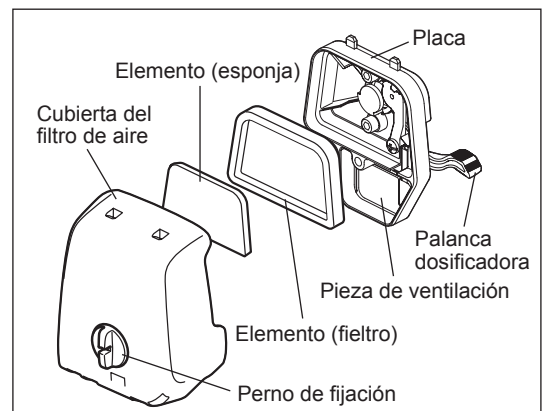
### LIMPIEZA DEL FILTRO DE AIRE



**PELIGRO: EL USO DE SUSTANCIAS O MATERIAL INFLAMABLE QUEDA ESTRICTAMENTE PROHIBIDO**

#### Intervalo de limpieza e inspección: Diario (cada 10 horas de operación)

- Gire la palanca dosificadora completamente al lado cerrado y mantenga el carburador fuera de polvo y tierra.
- Afloje el perno de fijación.
- Retire la cubierta del filtro de aire jalándolo por su lado de fondo.
- Retire los elementos y golpetéelos para eliminar la tierra y el polvo.
- Si los elementos están altamente contaminados:  
Retire los elementos, sumérgalos en agua tibia o en agua diluida con un detergente neutro y luego séquelos por completo. No los apretuje ni los talle al estarlos lavando.
- Antes de colocar los elementos, asegúrese de haberlos secado por completo. De lo contrario, puede que éstos dificulten el arranque del equipo.
- Limpie con un paño el aceite que se haya adherido alrededor de la cubierta del filtro de aire y de la pieza de ventilación.
- Acomode el elemento (esponja) dentro del elemento (fieltro).  
Acomode los elementos en la placa de tal forma que la esponja quede orientada hacia la cubierta del filtro de aire.
- Coloque inmediatamente la cubierta del filtro y apriétela con los pernos de fijación (al reinstalar, primero coloque la pinza superior y luego la inferior).



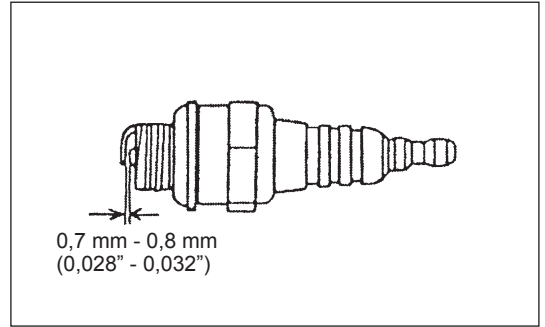
### AVISO:

- Limpie los elementos varias veces al día en caso de que se adhiera polvo en exceso. Los elementos sucios reducen el poder del motor y dificultan su arranque.
- Elimine el aceite de los elementos. Si la operación continúa con los elementos sin haberse limpiado de aceite, puede que el aceite en el filtro de aire se salga, resultando en contaminación del medio ambiente.
- No coloque los elementos sobre el suelo ni sobre una superficie sucia. De lo contrario contraerán residuos que puede que dañen el motor.
- Nunca use gasolina para limpiar los elementos. Puede que la gasolina los dañe.

## REVISIÓN DE LA BUJÍA DE ENCENDIDO

- Use sólo la llave universal incluida para quitar o poner la bujía de encendido.
- El espacio entre los dos electrodos de la bujía de encendido deberá ser de 0,7 mm - 0,8 mm (0,028" - 0,032"). Si el espacio está muy amplio o muy estrecho, ajústelo. Si la bujía de encendido está congestionada o contaminada, límpiela bien o reemplácela.

**PRECAUCIÓN:** Nunca toque el conector de la bujía de encendido mientras el motor está corriendo (peligro de descarga eléctrica de alto voltaje).



## LIMPIEZA DEL FILTRO DE COMBUSTIBLE

### ADVERTENCIA: EL USO DE SUSTANCIAS O MATERIAL INFLAMABLE QUEDA ESTRICTAMENTE PROHIBIDO

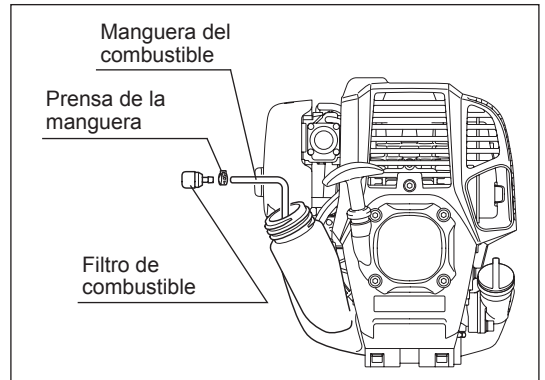
Intervalo de limpieza e inspección: Mensual (cada 50 horas de operación)

#### Cabeza de succión en el tanque de combustible

Reviste el filtro de combustible periódicamente. Para revisar el filtro de combustible, siga los pasos a continuación.

- (1) Retire la tapa del tanque de combustible, drene el combustible hasta vaciar el tanque. Revise el interior del tanque para ver si hay residuos o material ajeno. De haberlos, elimínelos.
- (2) Saque la cabeza de succión con un gancho de alambre a través de la abertura del tanque.
- (3) Si el filtro de combustible está ligeramente congestionado, límpielo. Para limpiarlo, agítelo y remójelo ligeramente en gasolina. Para evitar daños, no lo apretuje ni lo talle. La gasolina usada para la limpieza deberá desecharse de acuerdo con los métodos especificados por las normas regulatorias de su país.  
Cambie el filtro de combustible si éste se ha endurecido o si está demasiado congestionado.
- (4) Tras la revisión, limpieza o reemplazo, empuje el filtro de combustible completamente al fondo del tanque de combustible.

Un filtro de combustible congestionado o dañado puede causar un suministro de combustible insuficiente, reduciendo el poder del motor. Reemplace el filtro de combustible al menos una vez cada tres meses para asegurar un suministro adecuado de combustible al carburador.



## REEMPLAZO DE LA MANGUERA DEL COMBUSTIBLE

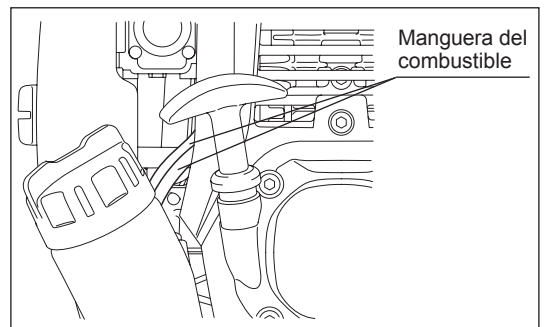
### PRECAUCIÓN: EL USO DE SUSTANCIAS O MATERIAL INFLAMABLE QUEDA ESTRICTAMENTE PROHIBIDO

Intervalo de limpieza e inspección: Diario (cada 10 horas de operación)

Reemplazo: Anual (cada 200 horas de operación)

Reemplace la manguera del combustible cada año, independientemente de la frecuencia de uso. La fuga de combustible puede ocasionar incendios.

Si se detecta cualquier fuga durante la inspección, reemplace la manguera del combustible inmediatamente.



## INSPECCIÓN DE PERNOS, TUERCAS Y TORNILLOS

- Reapriete los pernos, tuercas, etc.
- Revise si hay fugas de combustible y aceite.
- Reemplace las piezas dañadas con repuestos nuevos para una operación segura.

## LIMPIEZA DE LAS PIEZAS

- Mantenga siempre el motor limpio.
- Mantenga las aspas del cilindro libres de polvo y mugre. El polvo o la mugre que se adhieren a las aspas causarán atascamiento al pistón.

## REEMPLAZO DE SELLOS Y EMPAQUES

Al reensamblar tras la desinstalación del motor, asegúrese de reemplazar los sellos y empaques viejos con nuevos.

Cualquier servicio de mantenimiento o ajuste que no esté incluido o descrito en este manual sólo deberá realizarse por un Agente de Servicio Autorizado.

## ALMACENTAMIENTO

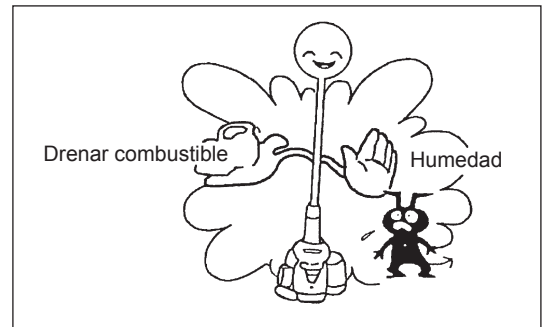


**ADVERTENCIA:** Cuando esté drenando el combustible, asegúrese de apagar el motor y confirmar que éste se haya enfriado. Puede que justo tras apagarlo, el motor aún esté caliente con posibilidad de provocar quemaduras u ocasionar incendios.



**ATENCIÓN:** Cuando el equipo permanecerá sin usarse por un tiempo prolongado, drene todo el combustible del tanque y del carburador, y almacene en un lugar seco y limpio.

- Drene el combustible del tanque de combustible y carburador como se indica a continuación:
  - 1) Quite la tapa del tanque de combustible y drénelo por completo. Si queda cualquier material extraño en el tanque, elimínelo por completo.
  - 2) Jale y saque el filtro de combustible del puerto de suministro mediante el uso de algún alambre.
  - 3) Presione la bomba cebadora hasta que se haya drenado el combustible de ésta desembocando en el tanque de combustible.
  - 4) Restaure el filtro al tanque de combustible y apriete la tapa de tanque de combustible firmemente.
  - 5) Luego, continúe dejando el motor corriendo hasta que éste se apague.
- Retire la bujía de encendido y escurra varias gotas de aceite para motor a través del orificio de la bujía de encendido.
- Jale suavemente el mango del arrancador de tal forma que el aceite se propague a través del motor y coloque la bujía de encendido.
- Evite mover la palanca en la posición de bloqueo mientras no se encuentre colocado el aditamento. La palanca en la posición de bloqueo sin un aditamento colocado impide la colocación del eje de extensión del aditamento.
- En general, el equipo deberá almacenarse en posición horizontal. De no ser posible, coloque el equipo con la unidad del motor quedando por debajo de la pieza cortadora. De lo contrario, puede que haya una fuga del aceite del motor en el interior.
- Ponga siempre atención al almacenar el equipo en un lugar seguro para prevenir daños al equipo y lesiones personales.
- Conserve el combustible drenado en un contenedor especial en un lugar bien ventilado sin exposición al sol.



### Atención tras el almacenamiento de largo plazo

- Antes de arrancar el motor tras un prolongado tiempo de estar sin usarse, asegúrese de cambiar el aceite (consulte la P 56). El aceite tiende a deteriorarse cuando el equipo se deja sin usar.

### Determinación de fallas

Falla	Sistema	Observación	Causa
El motor no arranca o arranca con dificultad	Sistema de encendido	Sí hay chispa de encendido No hay chispa de encendido	Falla en el suministro de combustible o sistema de compresión; problema mecánico Operación del interruptor; falla en el cableado o corto circuito; defecto en la bujía de encendido o su enchufe; problema en el módulo de encendido
	Suministro de combustible	Tanque de combustible lleno	Posición incorrecta del dosificador; carburador defectuoso; línea de suministro de combustible doblada o bloqueada; combustible impuro
	Compresión	No hay compresión al dar el jalón	Empaque defectuoso en el fondo del cilindro; daños en el sellado del cigüeñal; cilindro o anillos de pistones defectuosos o sellado inadecuado de la bujía de encendido
	Falla mecánica	Arrancador no embraga	Resorte del arrancador roto; piezas rotas dentro del motor
Problemas al arrancar el motor ya calentado		Existencia de chispa de encendido con el tanque lleno	Carburador contaminado, límpielo
El motor arranca pero se apaga	Suministro de combustible	Tanque lleno	Ajuste incorrecto del estado pasivo; carburador contaminado Respiradero del tanque defectuoso; obstrucción de la línea de suministro de combustible; falla en el cable interruptor de encendido
Rendimiento deficiente	Puede que varios sistemas del equipo se vean afectados a la vez	Ineficiencia de estado pasivo del motor	Filtro de aire contaminado; carburador contaminado; congestión del mofle; congestión del conducto de escape en el cilindro

Artículo	Tiempo de operación	Antes de la operación	Tras la lubricación	Diario (10h)	30h	50h	200h	Apagado / en reposo	Acción correspondiente (P)
Aceite para motor	Inspeccionar	○							52
	Reemplazar					○*1			56
Apretar de piezas (perno, tuerca)	Inspeccionar	○							58
Tanque de combustible	Limpiar / inspeccionar	○							—
	Drenar combustible							○*3	59
Palanca de aceleración	Verificar funcionamiento		○						—
Interruptor	Verificar funcionamiento		○						55
Rotación a baja velocidad	Inspeccionar / ajustar			○					55
Filtro de aire	Limpiar			○					57
Bujía de encendido	Inspeccionar			○					58
Conducto del aire de enfriamiento	Limpiar / inspeccionar			○					58
Manguera del combustible	Inspeccionar			○					58
	Reemplazar						◎*2		—
Filtro de combustible	Limpiar / reemplazar					○			58
Área despejada entre la válvula de ingreso del aire y válvula de escape del aire	Ajustar						◎*2		—
Reparación del motor							◎*2		—
Carburador	Drenar combustible							○*3	59

\*1 Realice un reemplazo inicial tras 20 horas de operación.

\*2 Para la inspección tras 200 horas de operación, acuda a un Agente de Servicio Autorizado o taller de servicios de mantenimiento.

\*3 Tras vaciar el tanque de combustible, continúe dejando el motor corriendo y drene el combustible del carburador.

Revise el manual de instrucciones para cada aditamento, y lleve a cabo el mantenimiento de éstos al ser utilizados.

## RESOLUCIÓN DE PROBLEMAS

Antes de solicitar un servicio de reparación, revise primero usted el problema. Si se encuentra cualquier anomalía, controle el equipo según la descripción de este manual que se indica. Nunca altere o desarme ninguna pieza que no se indique en la descripción. Para servicios de reparación, póngase en contacto con un Agente de Servicio Autorizado o con su distribuidor local.

Estado de anomalía	Causa probable (falla)	Solución
El motor no arranca	Falla en la operación de la bomba cebadora	Bombée de 7 a 10 veces
	Poca fuerza al jalar el cordón del arrancador	Jale con fuerza
	Falta de combustible	Suministre combustible
	Filtro de combustible congestionado	Limpiar
	Manguera de combustible doblada	Enderece la manguera de combustible
	Combustible deteriorado	El combustible deteriorado dificulta que el equipo arranque. Reemplace con nuevo aceite. (reemplazo recomendado: una vez al mes)
	Succión excesiva de combustible	Ajuste la palanca aceleradora de velocidad media a velocidad alta y jale el mango del arrancador hasta que el motor se encienda. <b>Una vez que el motor arranque, el aditamento comienza a girar o a moverse. Esté completamente atento del aditamento.</b> Si el motor sigue sin arrancar, retire la bujía de encendido, seque los electrodos y reensamble. Luego arranque el equipo como se indica.
	Tapa de la bujía suelta	Fije con firmeza
	Bujía de encendido contaminada	Limpiar
	Irregularidad del área de despeje de la bujía de encendido	Ajuste el área de despeje
	Otra anomalía con la bujía de encendido	Reemplazar
	Anomalía con el carburador	Solicite un servicio de inspección y mantenimiento.
	La cuerda del arrancador no puede jalarse	Solicite un servicio de inspección y mantenimiento.
Irregularidad con el sistema de propulsión	Solicite un servicio de inspección y mantenimiento.	
El motor se apaga en poco tiempo La velocidad del motor no aumenta	Falta de calentamiento del motor	Realice la operación de calentamiento
	Palanca dosificadora está en la posición "CERRADO" aunque el motor ya está caliente.	Ajuste a la posición en "ABIERTO"
	Filtro de combustible congestionado	Limpie o reemplace
	Filtro de aire contaminado o congestionado	Limpiar
	Anomalía con el carburador	Solicite un servicio de inspección y mantenimiento.
	Irregularidad con el sistema de propulsión	Solicite un servicio de inspección y mantenimiento.
El aditamento no gira ni se mueve ↓ Apague el motor de inmediato	El aditamento no ha sido insertado hasta el punto especificado.	Inserte como se indique.
	Irregularidad con el sistema de propulsión	Solicite un servicio de inspección y mantenimiento.
La unidad principal vibra de forma anormal ↓ Apague el motor de inmediato	El aditamento no ha sido insertado hasta el punto especificado.	Inserte como se indique.
	Palanca aflojada	Apriete bien.
	Irregularidad con el sistema de propulsión	Solicite un servicio de inspección y mantenimiento.
Aditamento no se detiene de inmediato ↓ Apague el motor de inmediato	Rotación a alta velocidad en estado pasivo	Ajustar
	Cable del acelerador suelto	Fije con firmeza
	Irregularidad con el sistema de propulsión	Solicite un servicio de inspección y mantenimiento.
El motor no se apaga ↓ Active el motor y que corra en estado pasivo y ajuste la palanca dosificadora a la posición "CERRADO"	Conector suelto	Fije con firmeza
	Irregularidad con el sistema eléctrico	Solicite un servicio de inspección y mantenimiento.

Cuando el equipo no arranca tras la operación de calentamiento:

Si no se detecta alguna anomalía en las piezas revisadas, abra el acelerador alrededor de 1/3 y arranque el motor.





<USA only>

## **WARNING**

The engine exhaust from this product contains chemicals known to the State of California to cause cancer, birth defects or other reproductive harm.

<USA solamente>

## **ADVERTENCIA**

Los gases de escape del motor de este producto contienen sustancias químicas conocidas en el Estado de California como causantes de cáncer, defectos genéticos y otros problemas relacionados con la reproducción.

**Makita Corporation**

3-11-8, Sumiyoshi-cho,  
Anjo, Aichi 446-8502 Japan

[www.makita.com](http://www.makita.com)

8850361945

ALA