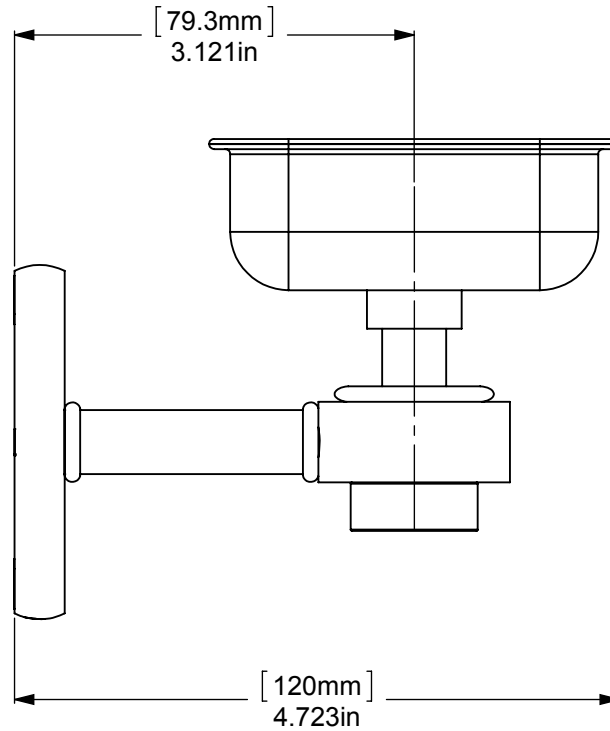
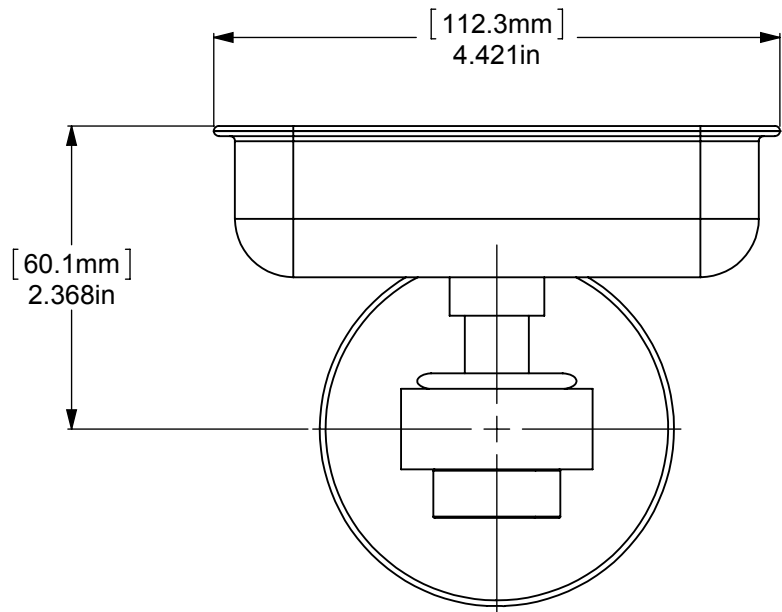
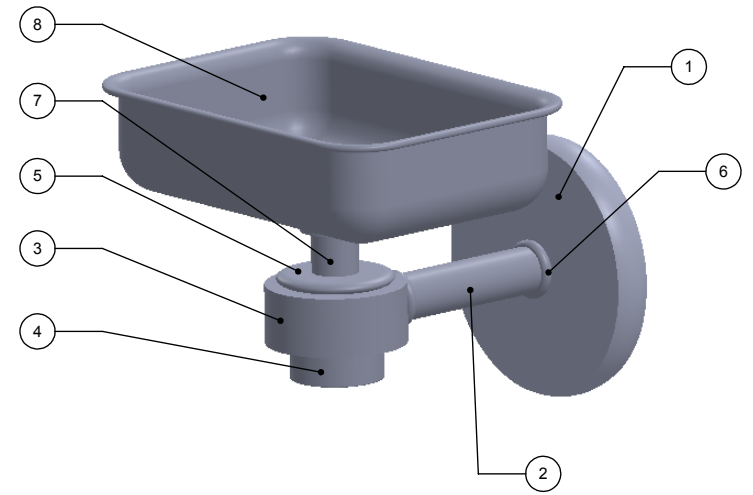


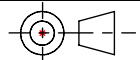
1	BPRD	BASE	1
2	TU12-2	TUBE	1
3	RGSMT	CONNECTOR	1
4	Card-1	END LOCK	1
5	CRRD-1	RING-1"	1
6	CRRD-12	RING-SMALL	2
7	TU12-.75	TUBE-.75	1
8	HRRTS	PLATE	1



UNLESS OTHERWISE STATED

.X	±.3mm
.XX	±.15mm
.XXX	±.008mm

COPYRIGHT © Allied Brass 2017



THIRD ANGLE PROJECTION

DRAWN	7/9/2017	I.M
CHECKED	7/9/2017	P.D
APPROVED	7/9/2017	R.A

MATERIAL:	BRASS
DESCRIPTION:	Soap Dish with Glass Liner



FINISH	TBD
QUANTITY	TBD
DRAWING No.	7132
REV	0
SCALE	1:1.5
SHEET: 01	A4