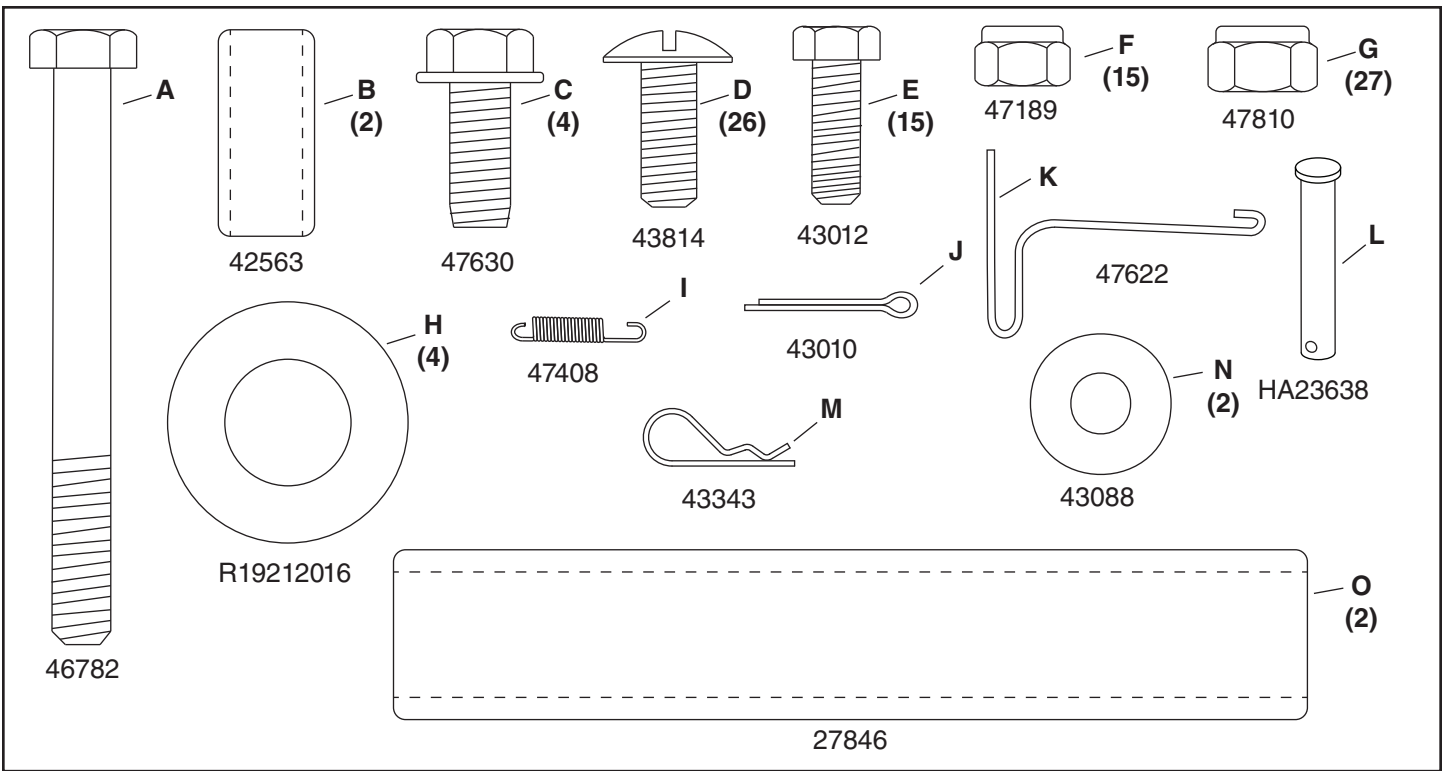
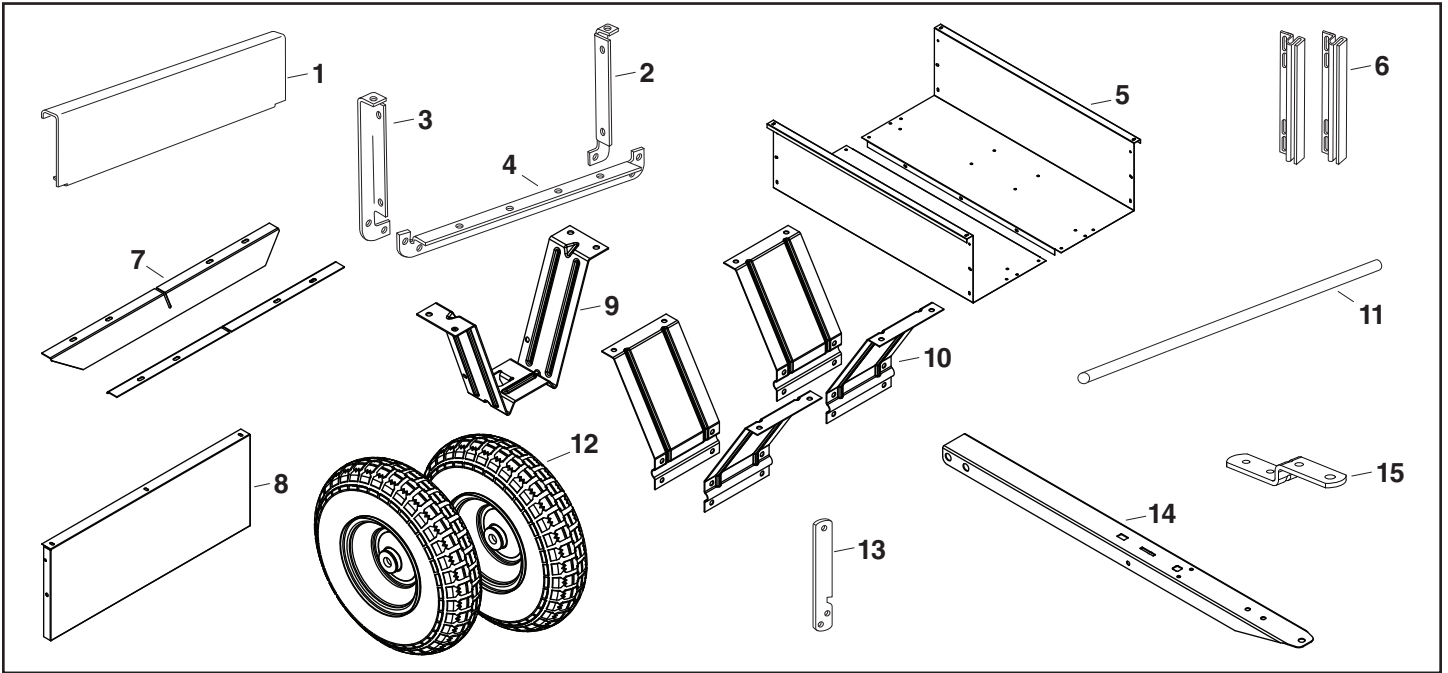
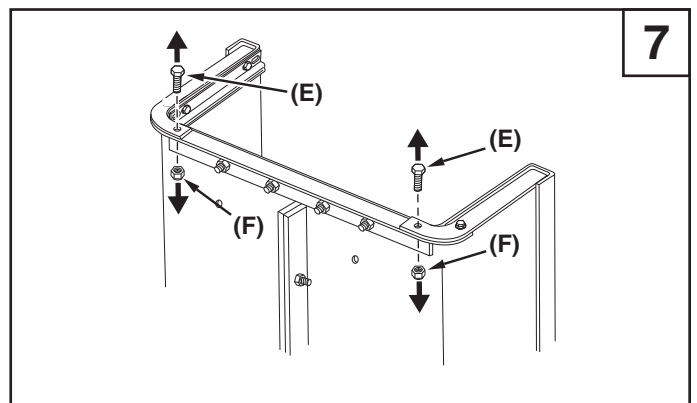
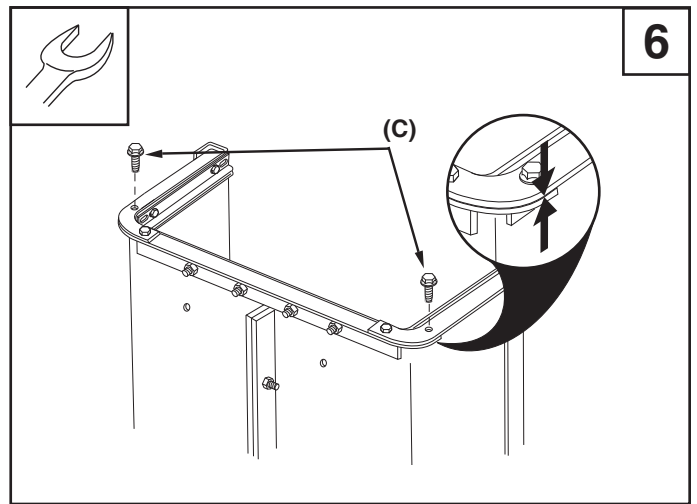
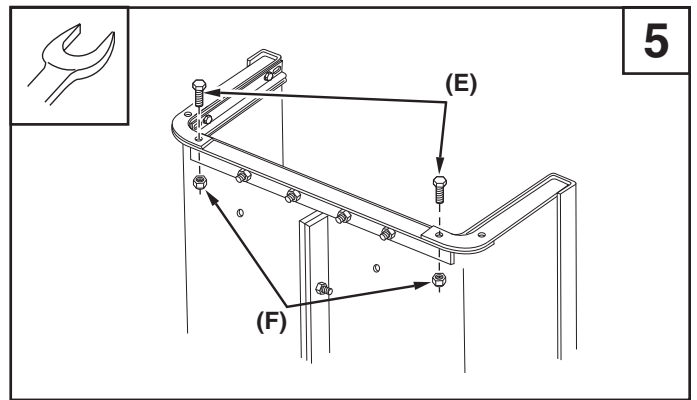
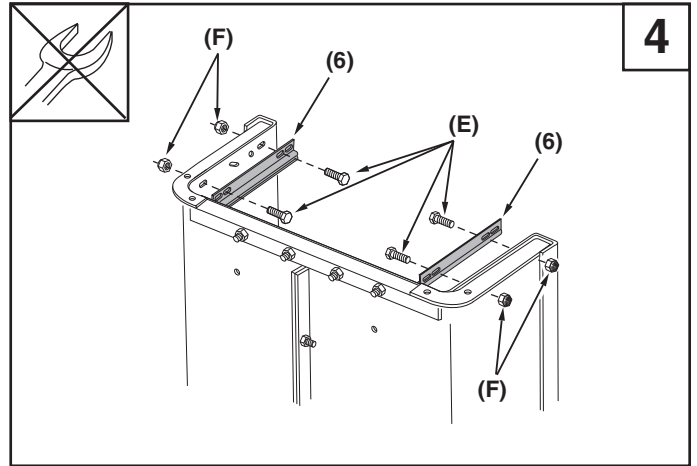
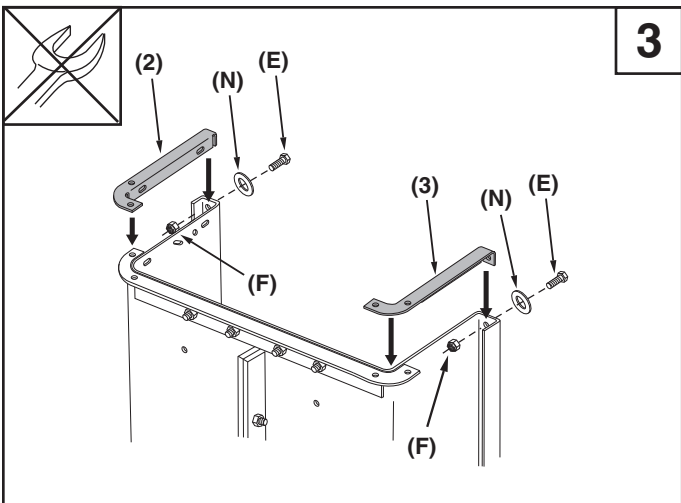
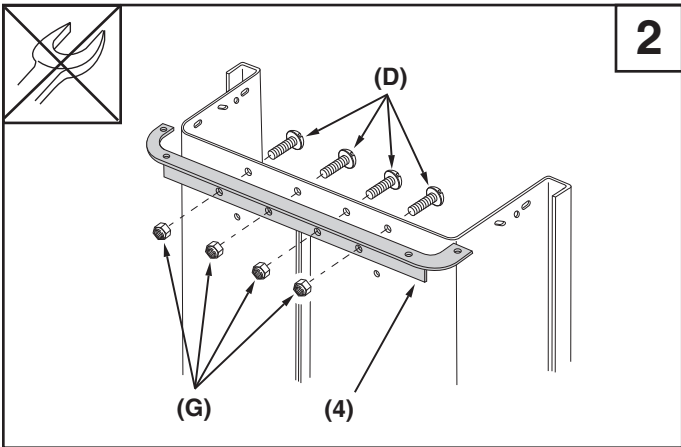
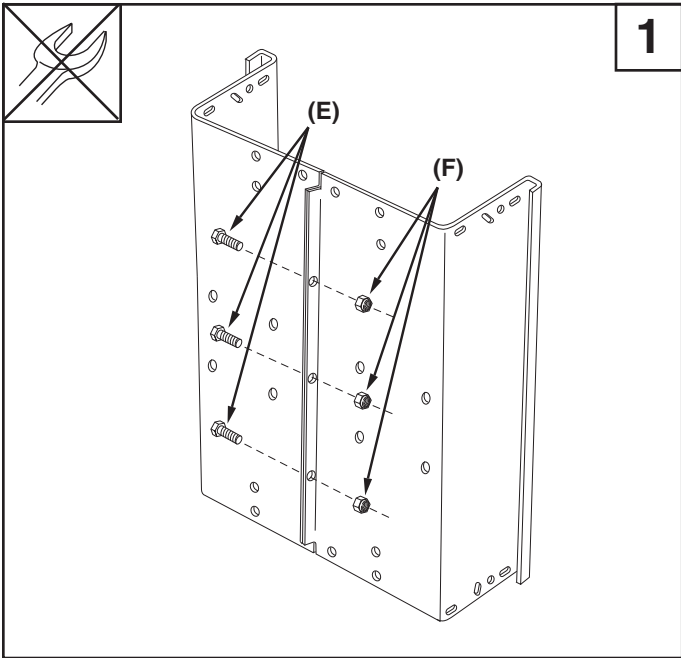
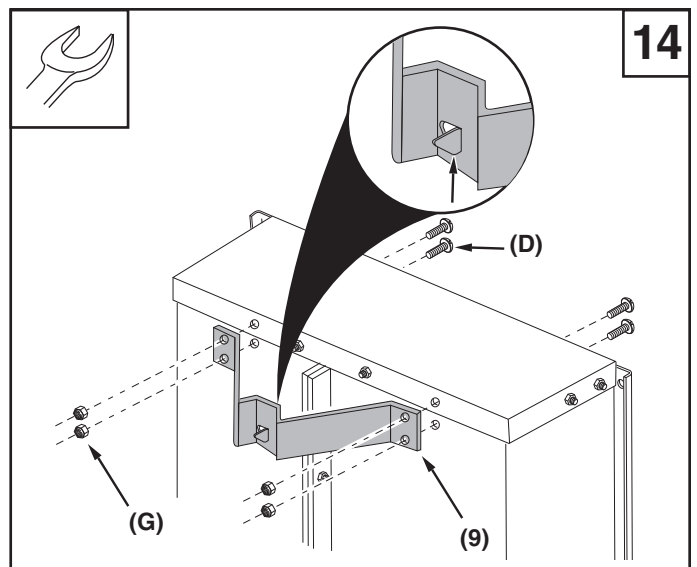
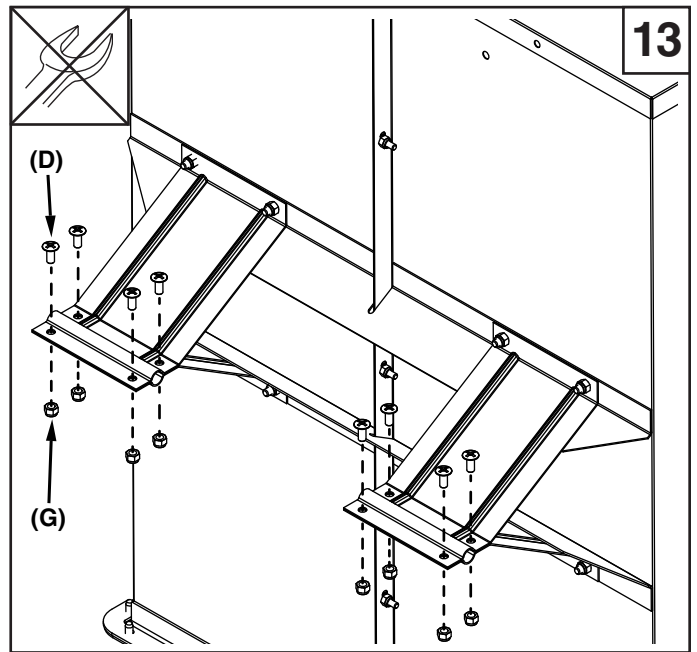
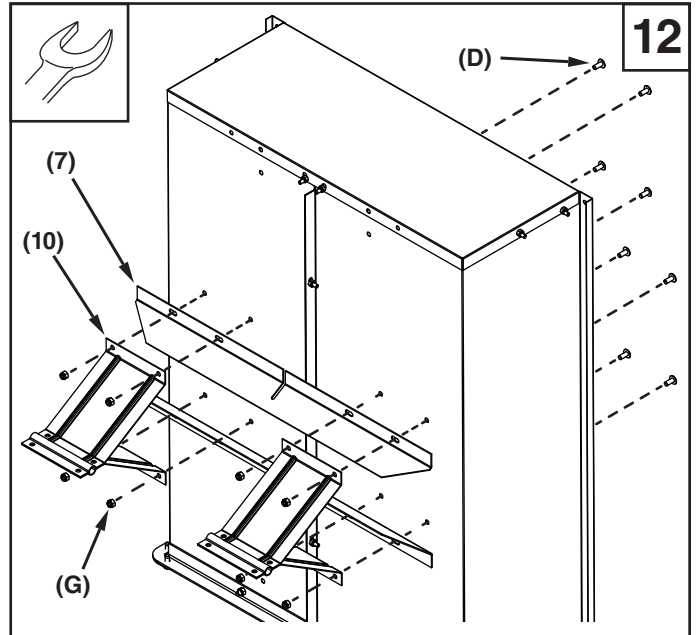
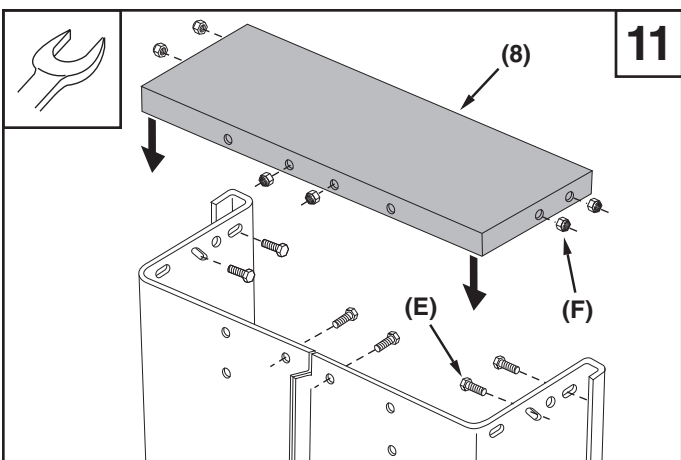
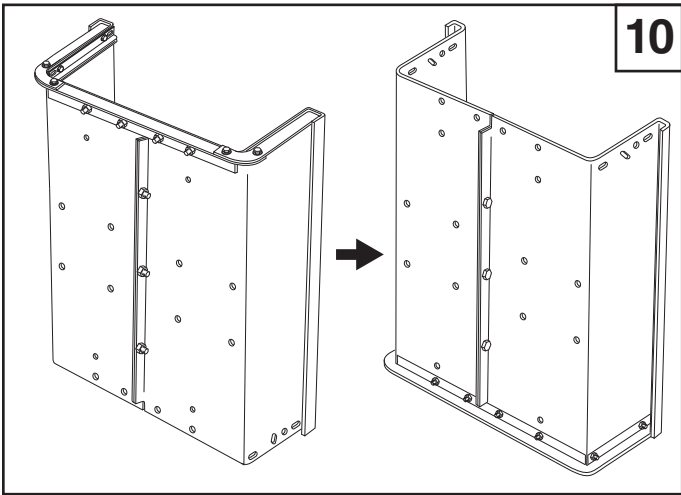
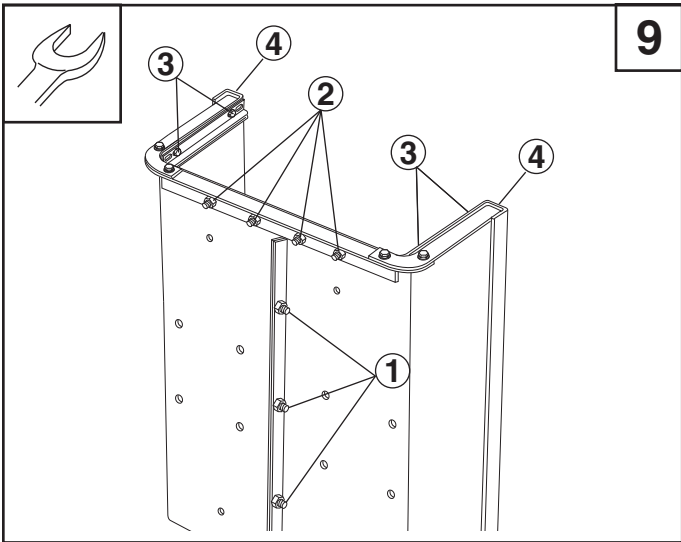
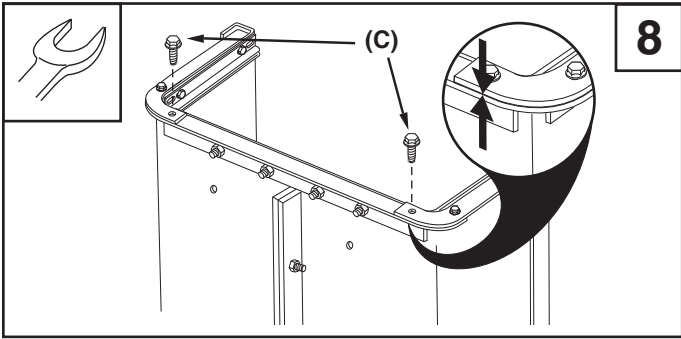


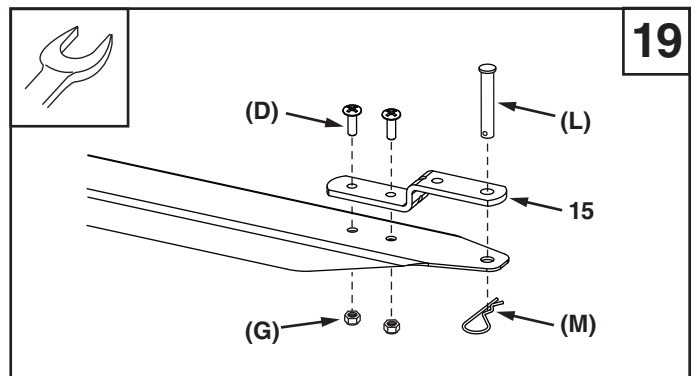
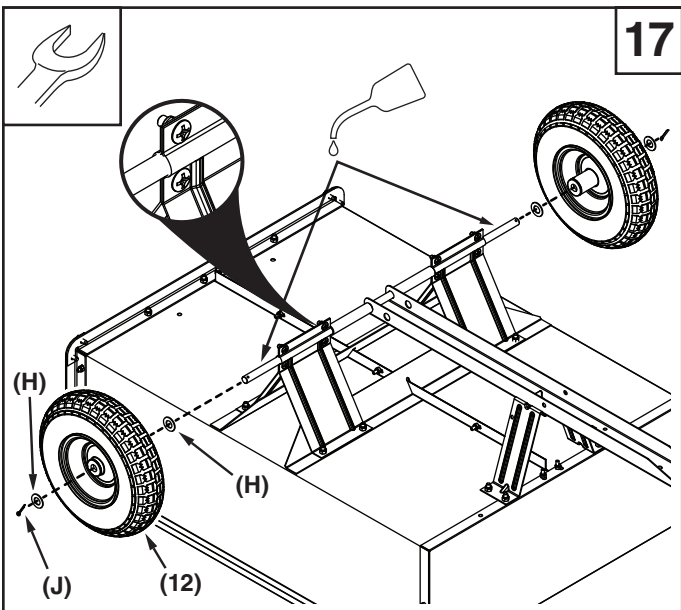
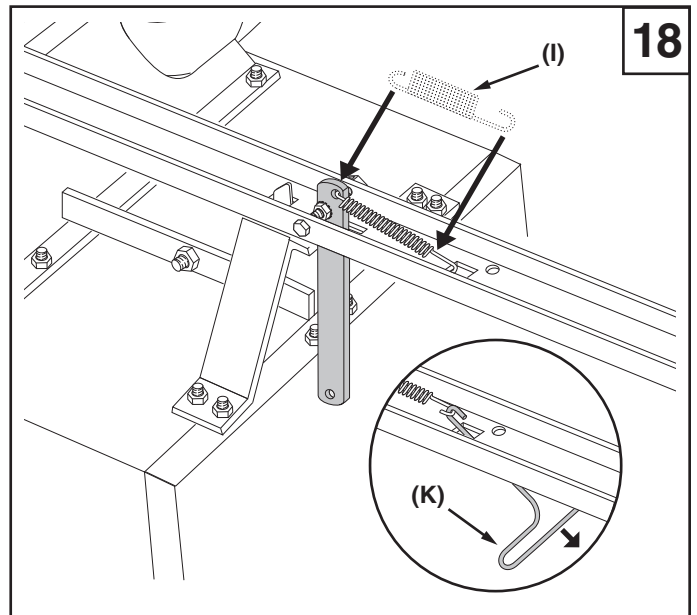
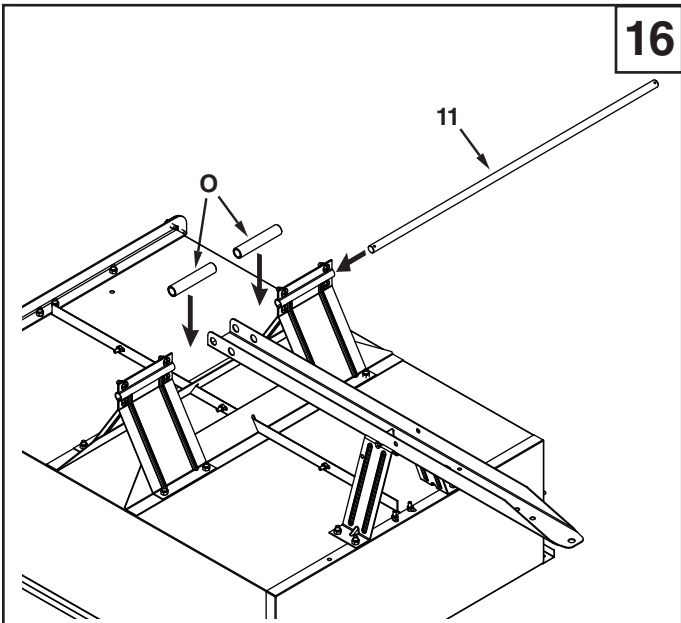
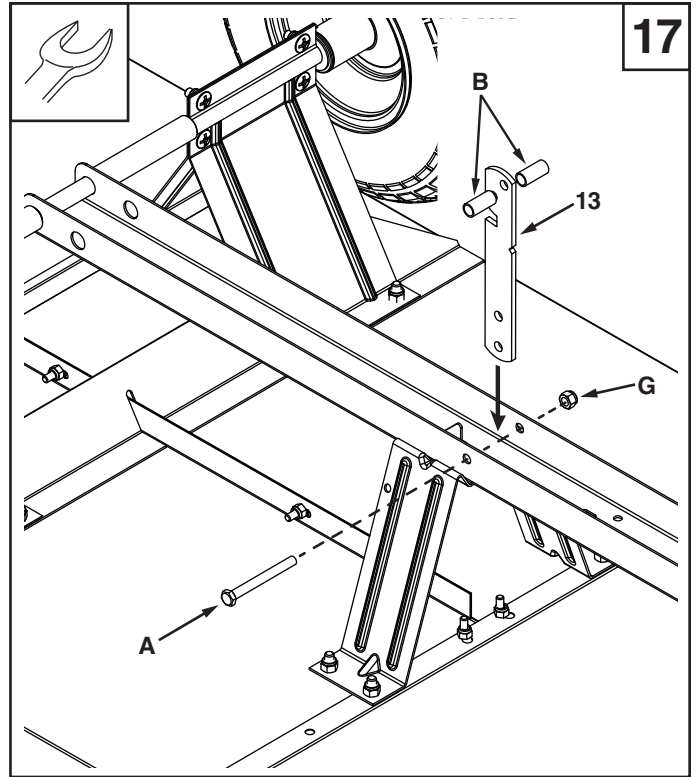
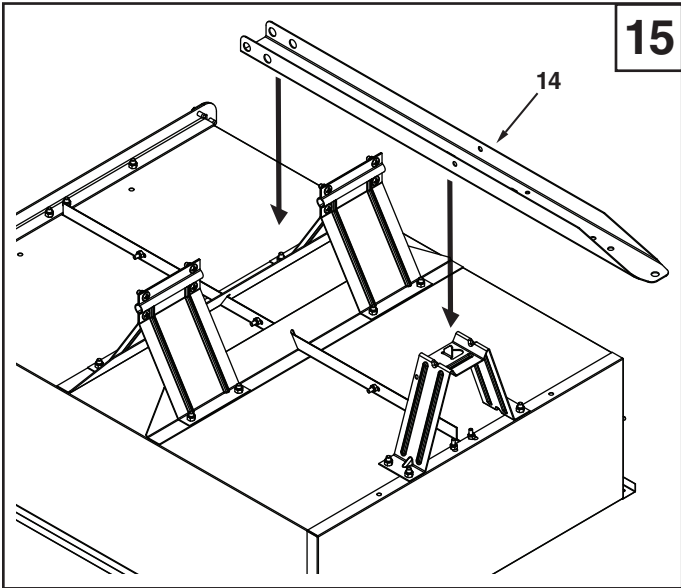
45-03036

967 02 71-01

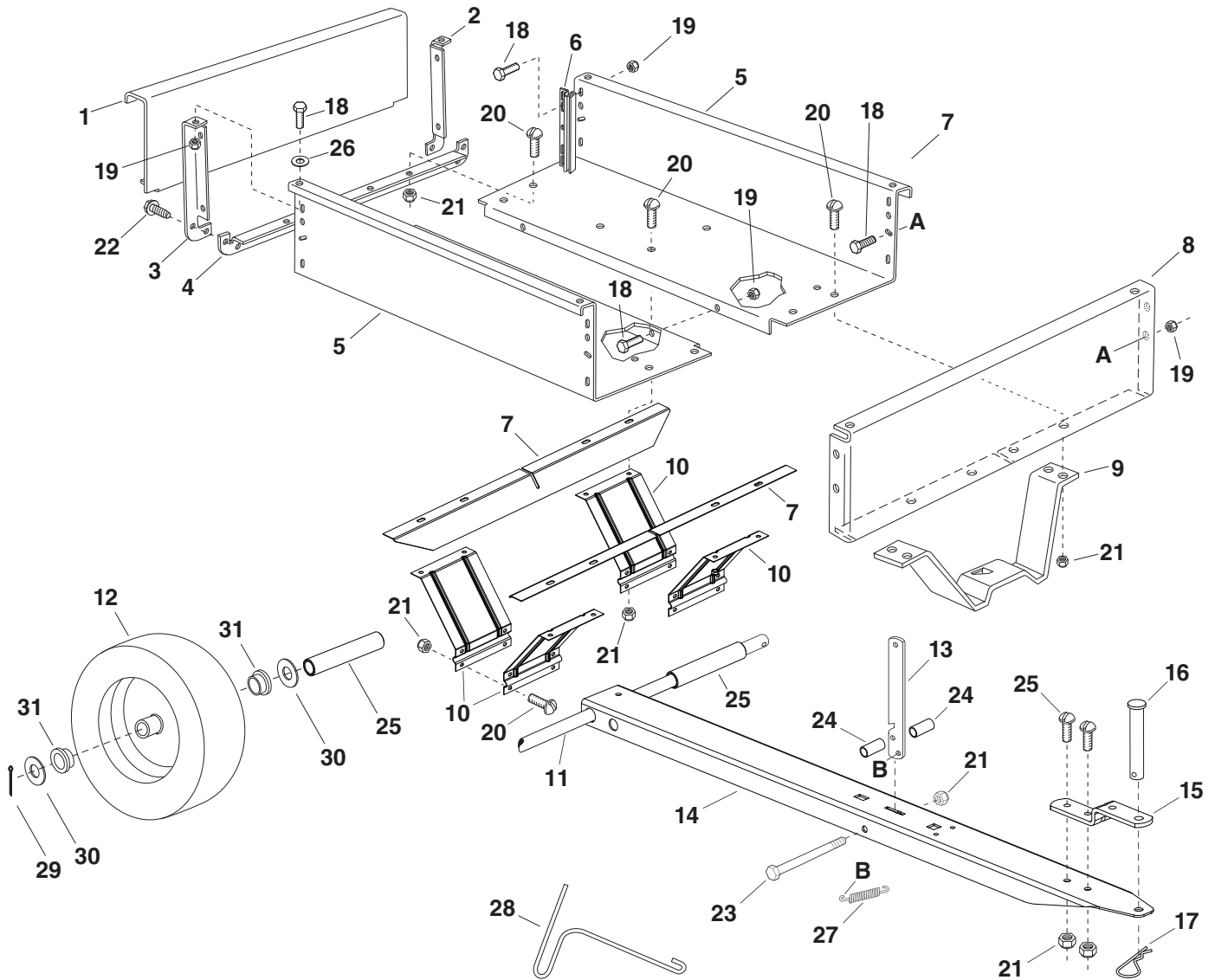








45-03036 / 967 02 71-01



REF.	PART NO.	QTY.	DESCRIPTION	REF.	PART NO.	QTY.	DESCRIPTION
1	24907	1	Tailgate	17	43343	1	Hair Cotter Pin, 1/8" (#4)
2	24143	1	Left Rear Angle	18	43012	15	Hex Bolt, 1/4-20 x 3/4"
3	24144	1	Right Rear Angle	19	47189	15	Nylock Nut, 1/4-20
4	24142	1	Lower Rear Angle	20	43814	26	Slit. Truss Hd. Bolt, 5/16-18 x 3/4"
5	28115	2	Cart Body	21	47810	27	Nylock Nut, 5/16-18
6	23548	2	Guide, Tailgate	22	47630	4	Bolt, Self Tapping 5/16-18 x 3/4"
7	27980	2	Bed Support	23	46782	1	Hex Bolt, 5/16-18 x 3"
8	28116	1	Front Panel	24	42563	2	Spacer, 0.375" x 0.5" x 1"
9	27843	1	Latch Stand Bracket	25	27846	2	Spacer, 0.65" x 0.88" x 4.75"
10	27844	4	Wheel Support	26	43088	2	Washer, 1/4"
11	27842	1	Axle	27	47408	1	Extension Spring
12	40880	2	Wheel	28	47622	1	Spring Puller Tool
13	24498	1	Latch Lock Lever	29	43010	2	Cotter Pin, 1/8" x 1-1/4"
14	28117	1	Draw Bar Tongue	30	R19212016	4	Washer, .656" x 1.25" x .059"
15	23687	1	Hitch Bracket	31	40880 BRG	4	Wheel Bearing (included in wheel)
16	HA23638	1	Hitch Pin		41075	1	Owner's Manual

SpeedEPart *the fastest way to purchase parts* www.speedepart.com

REPAIR PARTS

Agri-Fab, Inc.
303 West Raymond
Sullivan, IL. 61951
217-728-8388
www.agri-fab.com

This document (or manual) is protected under the U.S. Copyright Laws and the copyright laws of foreign countries, pursuant to the Universal Copyright Convention and the Berne convention. No part of this document may be reproduced or transmitted in any form or by any means, electronic or mechanical, including photocopying or recording, or by any information storage or retrieval system, without the express written permission of Agri-Fab, Inc. Unauthorized uses and/or reproductions of this manual will subject such unauthorized user to civil and criminal penalties as provided by the United States Copyright Laws.