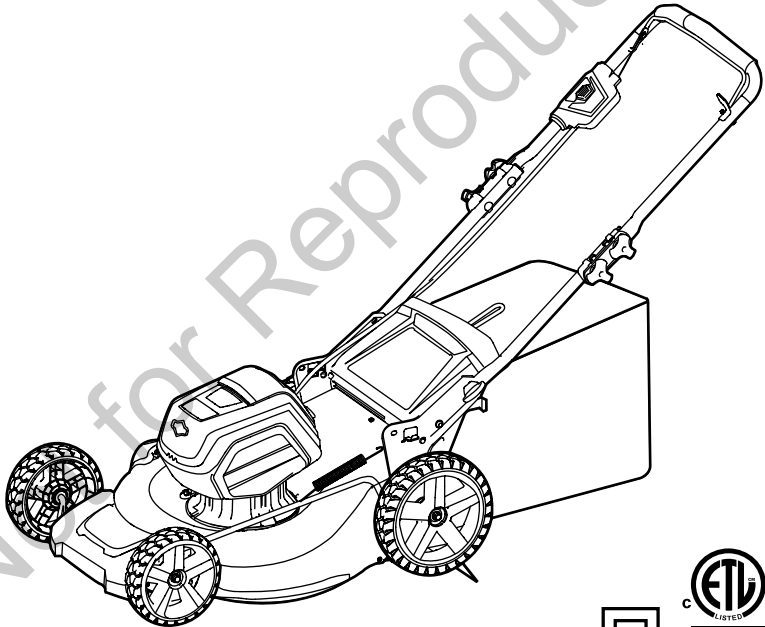


---

# **SNAPPER**

# **XD**

82V Lithium-Ion Cordless Mower  
1696777(SXDWM82)



Intertek  
3091488

Owner's Manual

**TOLL-FREE HELPLINE: 1-800-317-7833**

[www.snapper.com](http://www.snapper.com)

---

**⚠** Read all safety rules and instructions carefully before operating this tool.

# CONTENTS

---

Contents .....	2
Product specifications.....	2
Safety information.....	3
Symbols.....	8
Know your lawn mower .....	10
Assembly .....	11
Operation.....	19
Battery & Charger Maintenance.....	24
Maintenance .....	26
Environmentally safe battery disposal .....	30
Troubleshooting .....	31
Warranty .....	32
Exploded View.....	34
Parts List.....	35

## PRODUCT SPECIFICATIONS

---

### 82 V LITHIUM-ION CORDLESS MOWER

Battery type .....	82V Lithium-ion
No-load speed.....	2800 RPM (Max)
Deck size.....	21" (53.3 cm)
Height adjustments.....	1 3/8 - 3 3/4" (3.5 - 9.5 cm)
Functions.....	3-in-1: Mulch, side discharge or rear bag
Unit weight (without battery).....	65.6 lbs (29.74 kg)

Disclaimer: \*Maximum initial battery voltage (measured without a workload) is 82 volts. Nominal voltage is 72.



# SAFETY INFORMATION

---

## GENERAL SAFETY RULES

### READ ALL INSTRUCTIONS CAREFULLY

---

#### **▲ W A R N I N G**

This symbol indicates important safety instructions. If these instructions are not followed, it could endanger the personal safety and/or property of the operator and others. Read and understand all instructions in this manual before attempting to operate the mower. Failure to comply with these instructions may result in personal injury.

---

#### **▲ D A N G E R**

This mower was built to be operated according to the rules for safe operation that are contained in this manual. As with any type of power equipment, carelessness or error on the part of the operator can result in serious injury. This mower is capable of amputating body parts and throwing objects. Failure to observe the following safety rules could result in serious injury or death.

---

#### **▲ W A R N I N G**

Basic safety precautions should always be followed when using electric lawn mowers, in order to reduce the risk of fire, electric shock, and personal injury.

---

#### **▲ W A R N I N G**

Use of this mower should be restricted to individuals who have read and understood and will follow the warnings and instructions that are printed in this manual and on the mower.

---

#### **▲ W A R N I N G**

- For safe operation, read and understand the instruction manual.
  - To reduce the risk of electric shock, do not expose to water or operate on wet ground.
  - Replace damaged parts immediately. Disconnect and remove battery prior to servicing.
  - Remove the battery pack before servicing or removing blade.
  - Do not reach under blade guard.
  - Go across slopes, not up and down.
  - Do not operate within 100 ft. of people or animals. Do not mow when children or others are around.
  - Keep safety devices (guards, shields, switches etc.) in place and working.
  - Look down and behind before and while moving backwards.
  - Remove objects that could be thrown by the blade.
  - To reduce the risk of eye injury, wear safety glasses.
  - Some dust created by using power tools contains chemicals known to the state of California to cause cancer and birth defects or other reproductive harm.
  - Meet CPSC blade safety requirements.
  - For use only with Briggs & Stratton batteries BSB2AH82 (2 amp-hour) or BSB4AH82 (4 amp-hour) and Briggs & Stratton charger BSRC82.
-

# SAFETY INFORMATION

---

- Carefully read all instructions on the mower and in the manual before attempting to assemble and operate the mower. Keep this manual in a safe place for future reference, and consult it regularly.
- Become familiar with all controls and their proper operation. Know how to stop the mower and how to disengage the power in an emergency.
- In order to avoid contact with the blade or injury caused by a thrown object, stay in the operating zone behind the handles, and keep children and bystanders at least 100' (30 m) away from the mower while it is in operation. Stop the motor immediately if someone enters the mowing area.
- Thoroughly inspect the area where the mower is to be used. Remove all stones, sticks, wire, bones, toys, and other objects that could be tripped over or thrown by the blade. Thrown objects can cause serious personal injury.
- Plan your mowing pattern in such a way as to avoid discharging material toward roads, sidewalks, bystanders, etc. Do not discharge material against a wall or obstruction. Doing so may cause the discharged material to ricochet back toward the operator.
- Always wear proper eye protection that complies with ANSI Z87.1 in order to protect your eyes while operating or performing any adjustment or repair. Thrown objects that ricochet can cause serious eye injury.
- Always wear a face mask or a dust mask when operating the mower in a dusty environment.
- Dress properly. Do not wear loose clothing or jewelry that can get caught in moving parts. The wearing of protective gloves and safety footwear is recommended.
- Many injuries occur as a result of the mower being pulled over the operator's foot during a fall caused by slipping or tripping. Do not operate this mower in bare feet, or while wearing sandals or lightweight (e.g., canvas) shoes. Do not hold on to the mower if you are falling. Release the handle immediately.
- Never pull the mower back toward you while you are walking. If you must back the mower away from a wall or an obstruction, first look down and behind in order to avoid tripping, and then follow these steps:
  - Step back from the mower in order to fully extend your arms.
  - Be sure that you are well balanced.
  - Pull the mower back slowly.
- Do not use the mower for any job except that for which it is intended. Do not force the mower.
- Do not operate the mower while under the influence of alcohol or drugs.
- Stay Alert: Do not operate the mower when you are tired. Pay attention to what you are doing. Use common sense.
- Do not put hands or feet near rotating parts or under the cutting deck. Contact with the blade can amputate hands and feet.
- Do not attempt to adjust the wheels or the cutting height while the motor is running.
- Avoid dangerous environments. Do not operate the mower in the rain or in wet or damp grass.
- Mow only in daylight or in good artificial light. Do not rush a mowing job.
- Stop the blade when crossing gravel driveways, walkways, or roads.
- If the mower starts to vibrate excessively, stop the motor and check for the cause immediately. Vibration is generally a warning of trouble.

# SAFETY INFORMATION

---

- Stop the motor and wait until the blade comes to a complete stop before removing the grass catcher or unclogging the chute. The cutting blade will continue to rotate for a few seconds after the motor is shut off. Do not place any part of your body in the blade area until you are sure that the blade has stopped rotating.
- Never operate mower without a proper trail shield, discharge cover, grass catcher, switch control, or other safety device in place and in working order. Do not operate the mower with damaged safety devices. Doing so can result in injury.
- Don't force lawn mower. It will do the job better and safer at the rate for which it was designed.
- Store idle lawn mower indoors. When not in use, lawn mower should be stored in an indoor dry and look-up place, out of reach of children.
- Maintain lawn mower. Keep cutting edges sharp and clean for best and safety performance.
- If lawn mower strikes a foreign objects follow these steps:
  - Stop lawn mower, release the bail lever.
  - Remove the battery.
  - Inspect for damage.
- Repair any damage before restarting and operating the lawn mower.
- Do not charge lawn mower in rain or in wet location.
- Remove or disconnect battery before servicing, cleaning or removing material from lawn mower.
- Inspect lawn mover cord periodically and if damaged , have it repaired by an authorized service facility.
- Use identical replacement blades only
- Do not open or mutilate the battery . Released electrolyte is corrosive and may cause damage to the eyes or skin. It may be toxic if swallowed.
- When using in direct sunshine, keep out of water and don't expose to rain.
- Store indoors, and do not expose to rain or water, avoid direct sunshine.

## CHILD SAFETY

Tragic accidents can occur if the operator is not aware of the presence of children.

- Keep children out of the mowing area and under the watchful care of a responsible adult.
- Do not allow children under the age of 14 to operate this mower. Children who are 14 years of age and older must read and understand the operating instructions and safety rules in this manual, and must be trained and supervised by a parent.
- Stay alert, and turn the mower off if a child or any other person enters the mowing area.
- Look behind and down for small children before and while moving backwards.
- Use extreme care when approaching blind corners, doorways, shrubs, trees, or other objects that may obscure your view of a child who may run into the path of the mower.

## BATTERY & CHARGER

---

### **▲ C A U T I O N**

Use only approved replacement batteries, other batteries may cause injury or damage to the mower. For use only with Briggs & Stratton batteries BSB2AH82 (2 amp-hour) or BSB4AH82 (4 amp-hour).

---

---

# SAFETY INFORMATION

---

## BATTERY SAFETY RULES

- Battery tools do not have to be plugged into an electrical outlet; therefore, they are always in operating condition. Be aware of possible hazards when not using your battery tool or when changing accessories. Following this rule will reduce the risk of electric shock, fire, or serious personal injury.
- Do not place battery tools or their batteries near fire or heat. This will reduce the risk of explosion and possibly injury.
- Do not crush, drop or damage battery pack. Do not use a battery pack or charger that has been dropped or received a sharp blow. A damaged battery is subject to explosion. Properly dispose of a dropped or damaged battery immediately.
- Batteries can explode in the presence of a source of ignition, such as a pilot light. To reduce the risk of serious personal injury, never use any cordless product in the presence of open flame. An exploded battery can propel debris and chemicals. If exposed, flush with water immediately. Do not charge battery tool in a damp or wet location. Following this rule will reduce the risk of electric shock.
- For best results, your battery tool should be charged in a location where the temperature is more than 43°F but less than 104°F. To reduce the risk of serious personal injury, do not store outside or in vehicles.
- Under extreme usage or temperature conditions, battery leakage may occur. If liquid comes in contact with your skin, wash immediately with soap and water. If liquid gets into your eyes, flush them with clean water for at least 10 minutes, then seek immediate medical attention. Following this rule will reduce the risk of serious personal injury.
- When battery pack is not in use, keep it away from other metal objects like: paper clips, coins, keys, nails, screws, or other small metal objects that can make a connection from one terminal to another. Shorting the battery terminals together may cause sparks, burns, or a fire.
- Always remove battery pack from your tool when you are assembling parts, making adjustments, cleaning, or when not in use. Removing battery pack will prevent accidental starting that could cause serious personal injury.
- Always remove battery pack before storing the device. When battery becomes fully charged, unplug the charger from the power supply and remove the battery pack from the charger.
- Always wear eye protection with side shields marked to comply with ANSI Z87.1, along with hearing protection. Failure to do so could result in objects being thrown into your eyes and other possible serious injuries.
- Keep battery pack dry, clean, and free from oil and grease. Always use a clean cloth when cleaning. Never use brake fluids, gasoline, petroleum-based products, or any solvents to clean battery pack.

## PROPER CARE FOR BATTERY

### Off-season storage

To obtain the longest possible battery life, we suggest the following:

- Remove the battery pack from the charger once it is fully charged and ready for use.

For battery pack storage longer than 30 days:

- Store the battery pack where the temperature is below 80°F and away from moisture.
- Store battery packs in a 30%-50% charged condition.
- Every two months of storage, charge the pack as normal.

# SAFETY INFORMATION

---

## CHARGER SAFETY RULES

- Charge the mower battery in a dry area that is protected from the weather. Do not expose the mower or the charger to rain. Do not charge the battery in a wet location. Operate the battery charger in temperatures between 43° and 104°F. In order to reduce the risk of electric shock, use only the charger that is provided by the manufacturer to charge the battery.
- DO NOT ABUSE THE CHARGE CORD. Never carry the charger by the cord. Do not disconnect the charger from the outlet or from the mower by pulling the charger cord.
- Do not use a damaged charger. Replace the charger cords or the charger immediately.
- Keep the mower and the charger away from water, heat sources (radiators, heaters, stoves, etc.), flames, and chemicals.
- Make sure the battery pack is secured in the charger before beginning operation.
- The battery pack will become slightly warm to the touch while charging. This is normal and does not indicate a problem.
- Do not place the charger and battery pack in an area of extreme heat or cold. They will work best at normal room temperature.
- When batteries become fully charged, unplug the charger from the power supply and remove the battery pack.

---

## **▲ W A R N I N G**

When transporting or servicing unit, always remove the battery.

---

---

## **▲ W A R N I N G ( P R O P O S I T I O N 6 5 )**

This product contains a chemical known to the state of California to cause cancer, birth defects or other reproductive harm.

Some dust created by power sanding, sawing, grinding, drilling and other construction activities contains chemicals known to the state of California to cause cancer, birth defects or other reproductive harm. Some examples of these chemicals are:

- Lead from lead-based paints,
- Crystalline silica from bricks and cement and other masonry products, and
- Arsenic and chromium from chemically-treated lumber.

Your risk from these exposures varies, depending on how often you do this type of work. To reduce your exposure to these chemical: work in a well ventilated area, and work with approved safety equipment, such as those dust masks that are specially designed to filter out microscopic particles.

---

## SERVICE

Service requires extreme care and knowledge and should be performed only by a qualified service technician. For service we suggest you return the product to your nearest **AUTHORIZED SERVICE CENTER** for repair. When servicing, use only identical replacement parts.



---

## SAVE THESE INSTRUCTIONS

---

# SYMBOLS




Some of the following symbols may be used on this product. Please study them and learn their meaning. Proper interpretation of these symbols will allow you to operate the product better and safer.

SYMBOL	NAME	DESIGNATION/EXPLANATION
v	Volts	Voltage
A	Amperes	Current
Hz	Hertz	Frequency (cycles per second)
W	Watts	Power
min	Minutes	Time
~	Alternating Current	Type of current
—	Direct Current	Type or a characteristic of current
$n_0$	No Load Speed	Rational speed, at no load
	Class II Construction	Double-insulated construction
/min	Per Minute	Revolutions, strokes, surface speed, orbits etc., per minute
	Safety Alert	Precautions that involve your safety.
	Wet Conditions Alert	Do not expose to rain or use in damp locations
	Read The Operator's Manual	To reduce the risk of injury user must read and understand operator's manual before using this product.
	Eye Protection	Always wear eye protection with side shields marked to comply with ANSI Z87.1 when operating this equipment.
	Keep Hands and Feet Away	Keep hands and feet away from blade and cutting area.
	No Reach	Do not reach hands or feet under mower deck.
	No Slope	Do not operate on inclines greater than 15°. Mow across the face of slopes, never up and down.
	Keep Bystanders Away	Keep all bystanders at least 100 ft. away.
	Ricochet	Pay attention that bystanders are not injured through foreign objects thrown from the mower.

# SYMBOLS

---


The following signal words and meanings are intended to explain the levels of risk associated with this product.

SYMBOL	SIGNAL	MEANING
	<b>DANGER</b>	Indicates an imminently hazardous situation, which, if not avoided, will result in death or serious injury.
	<b>WARNING</b>	Indicates a potentially hazardous situation, which, if not avoided, could result in death or serious injury.
	<b>CAUTION</b>	Indicates a potentially hazardous situation, which, if not avoided, may result in minor or moderate injury.
	<b>CAUTION</b>	(Without Safety Alert Symbol) Indicates a situation that may result in property damage.

## ENVIRONMENTAL PROTECTION



Waste electrical products should not be disposed of with household waste. Please recycle where facilities exist. Check with your local authority or retailer for recycling advice.

 The battery contains material which is hazardous to you and the environment. It must be removed and disposed of separately at a facility that accepts lithium-ion batteries.

---

## **WARNING**

To avoid serious personal injury, do not attempt to use this product until you have read this Owner's Manual thoroughly and understand it completely. If you do not understand the warnings and instructions in this Owner's Manual, do not use this product. Call the Toll-free Helpline 1-800-317-7833 for assistance.

---

---

## **WARNING**



The operation of any power tool can result in foreign objects being thrown into your eyes, which can result in severe eye damage. Before beginning power tool operation, always wear safety goggles or safety glasses with side shields and, when needed, a full face shield. We recommend Wide Vision Safety Mask for use over eyeglasses or standard safety glasses with side shields. Always use eye protection which is marked to comply with ANSI Z87.1.

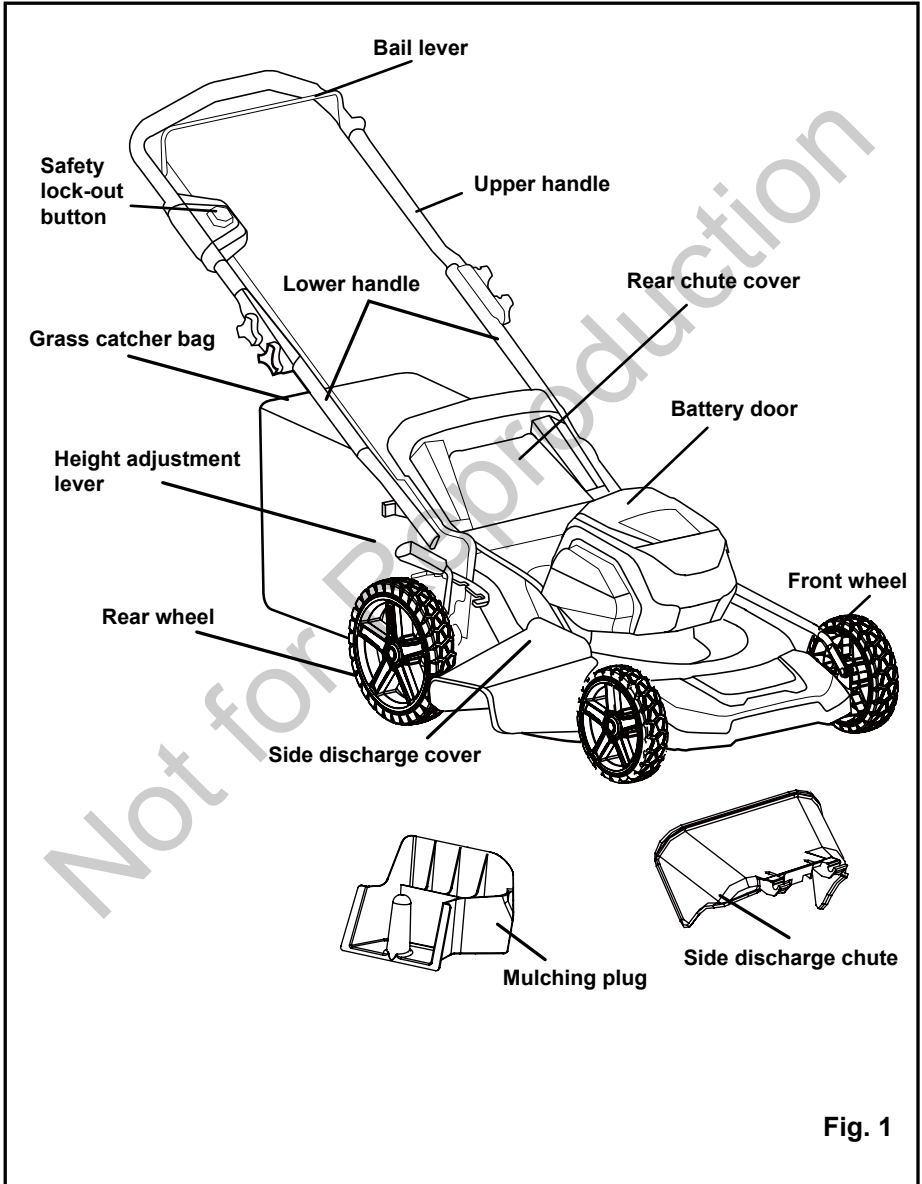
---

**SAVE THESE INSTRUCTIONS**

---

# KNOW YOUR LAWN MOWER

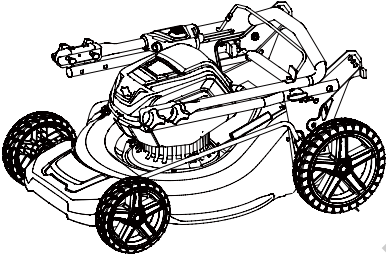
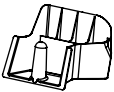

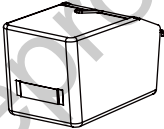



Read this operator's manual and safety rules before operating your lawn mower. Compare the illustration in Figure 1 to your lawn mower in order to familiarize yourself with the location of various controls and adjustments. Save this manual for future reference.



**Fig. 1**



# ASSEMBLY INSTRUCTIONS

PART NAME	FIGURE	PART NO.
Lawn Mower		1
Mulching Plug		1
Side Discharge Chute		1
Grass Catcher Bag		1
Handle Knob		4
Handle Bolt		4
Owner's Manual		1

# ASSEMBLY INSTRUCTIONS

---

## UNPACKING

- Carefully remove the product and any accessories from the box. Make sure that all items listed in the packing list are included.
  - Inspect the product carefully to make sure no breakage or damage occurred during shipping.
  - Do not discard the packing material until you have carefully inspected and satisfactorily operated the product.
  - If any parts are damaged or missing, please call 1-800-317-7833 for assistance.
- 

## **▲ W A R N I N G**

If any parts are damaged or missing do not operate this product until the parts are replaced. Using a product with damaged or missing parts could result in serious personal injury.

---

## **▲ W A R N I N G**

Do not attempt to modify this product or create accessories not recommended for use with this product. Any such alteration or modification is misuse and could result in a hazardous condition leading to possible serious personal injury.

---

## **▲ W A R N I N G**

Do not insert battery until assembly is complete and you are ready to mow. Failure to comply could result in accidental starting and possible serious personal injury.

---

## **▲ W A R N I N G**

To prevent accidental starting that could cause serious personal injury, always remove the battery pack from the product when assembling parts.

---

## **▲ W A R N I N G**

Never operate the mower without the proper safety devices in place and working. Never operate the mower with damaged safety devices. Operation of this product with damaged or missing parts could result in serious personal injury.

---

# ASSEMBLY INSTRUCTIONS

## UNFOLDING AND ADJUSTING LOWER HANDLE (See Figure 2)

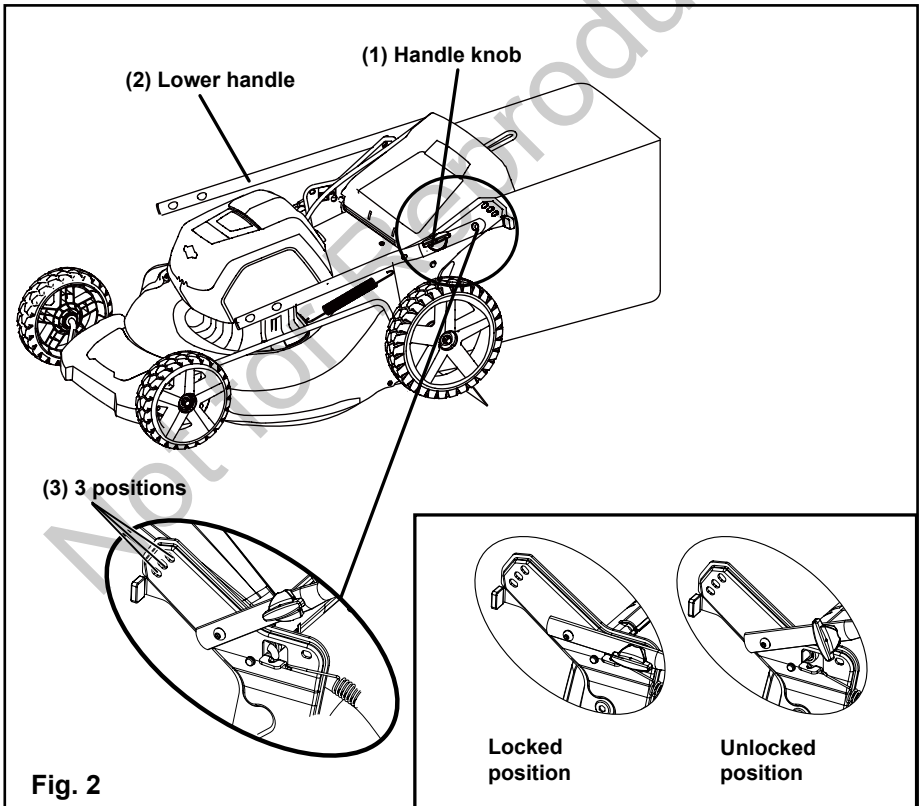
### **⚠ WARNING**

Folding or unfolding the handle improperly can damage the cables, causing an unsafe operating condition.

- Do not damage the cables when folding or unfolding the handle.
- If a cable is damaged, contact an Authorized Service Dealer.

- Pull and rotate the handle knobs (1) 90° on both sides to loosen the lower handles (2) on both sides.
- Move the lower handles to the operating position. You may raise or lower the handle to a position comfortable for you. There are 3 positions (3) for you to choose. Release the handle knobs to lock the lower handle into position.

*Note: Ensure both sides are set at the same position for proper assembly.*



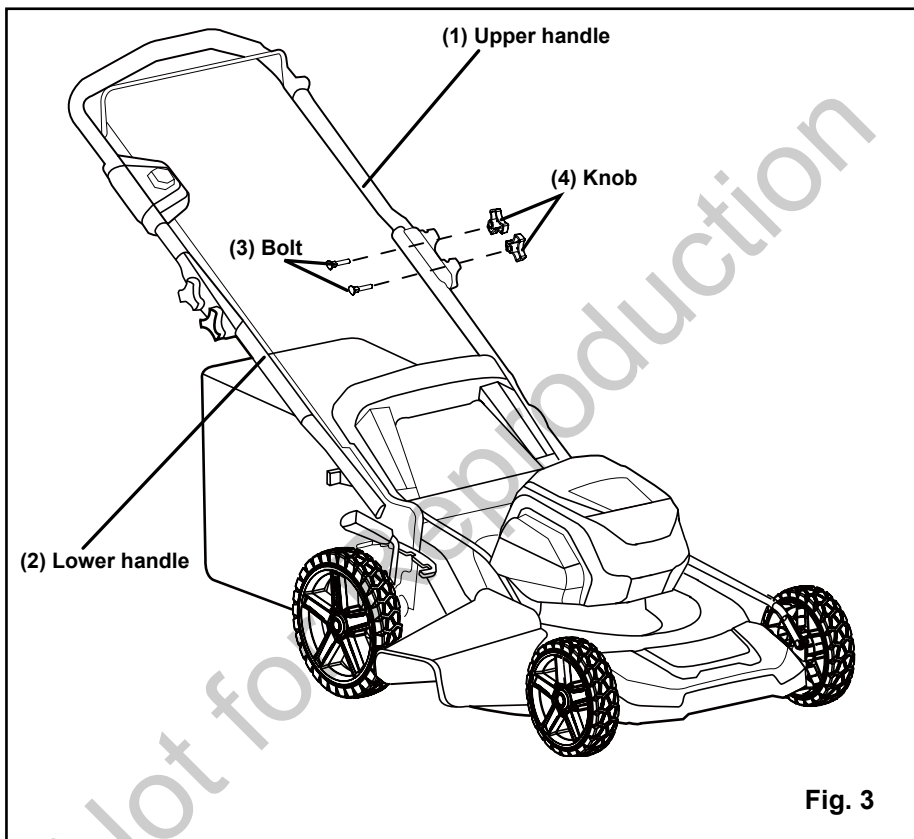
**Fig. 2**

# ASSEMBLY INSTRUCTIONS

---

## INSTALLING THE UPPER HANDLE *(See Figure 3)*

- Align the mounting holes on the upper handle (1) and the lower handle (2). Insert the carriage bolts (3) and use the knobs (4) to tighten them. Repeat the operation on the other side.



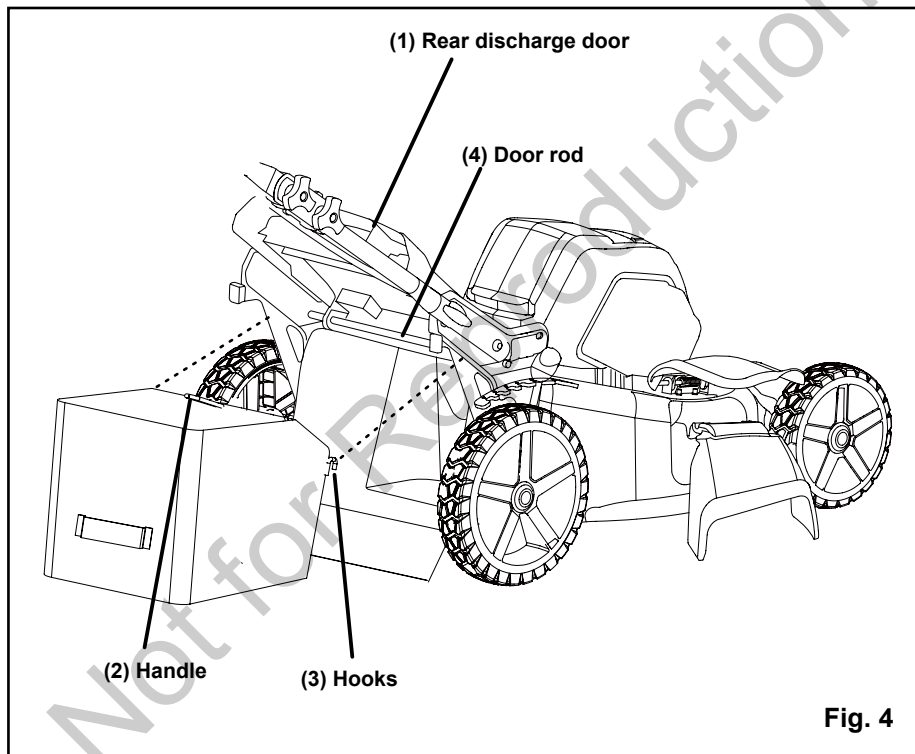
# ASSEMBLY INSTRUCTIONS

---

## INSTALLING THE GRASS CATCHER BAG (See Figure 4)

- Lift the rear discharge door (1).
- Lift the grass catcher by its handle (2) and place under the rear discharge door so that the hooks (3) on the grass catcher are seated on the door rod (4).
- Release the rear discharge door. When installed correctly, the hooks on the grass catcher will extend through the openings on the rear discharge door.

*NOTE: When using the grass catcher, do not install either the side discharge deflector or the mulching plug.*



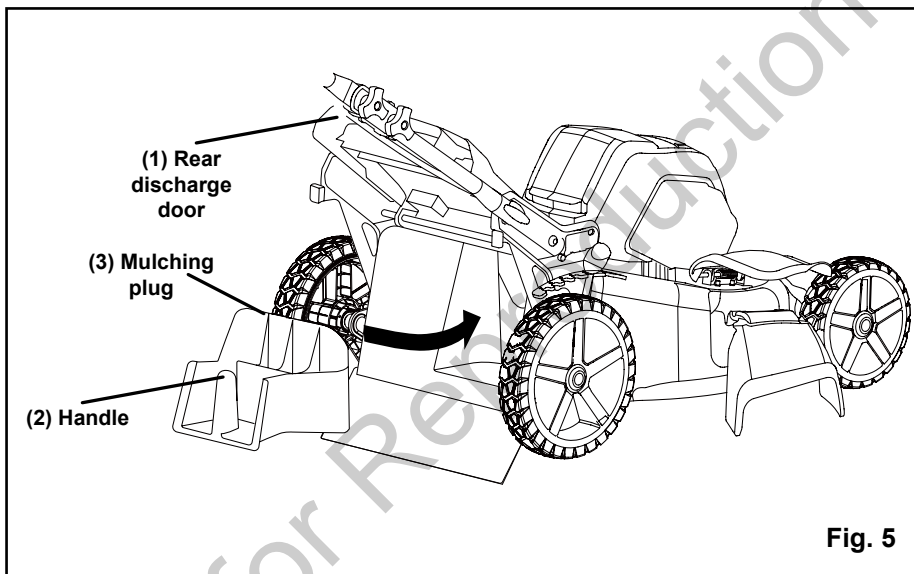
**Fig. 4**

# ASSEMBLY INSTRUCTIONS

---

## INSTALLING/REMOVING THE MULCHING PLUG (See Figure 5)

- To remove the mulching plug, lift the rear discharge door (1).
- Grasp the handle (2) of the mulching plug. Lift and pull the mulching plug out using the handle.
- The mulching plug (3) is inserted at an angle, so it requires some force to remove it.
- The mulching plug must be removed in order to install the grass catcher bag.
- The mulching plug must be re-installed when the grass catcher bag is removed.

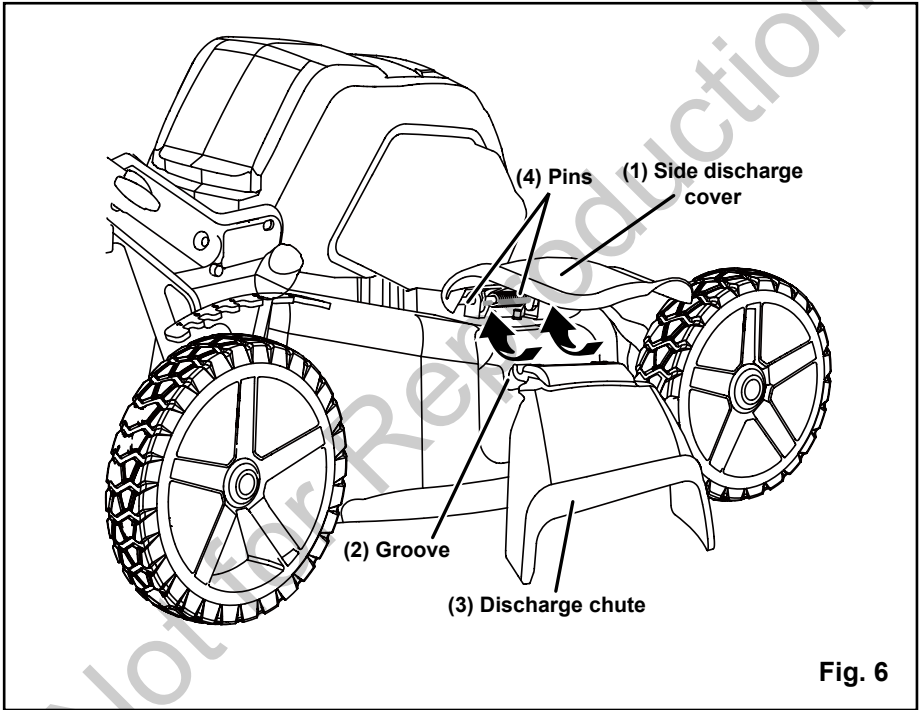


# ASSEMBLY INSTRUCTIONS

---

## INSTALLING SIDE DISCHARGE CHUTE (See Figure 6)

- Lift the side discharge cover (1).
- Align the grooves (2) on the discharge chute (3) with the pins (4) on the underside of the discharge cover (1).
- Lower the discharge chute until the hooks on the mower deck are secured in the openings in the discharge chute.
- Release the side discharge cover.

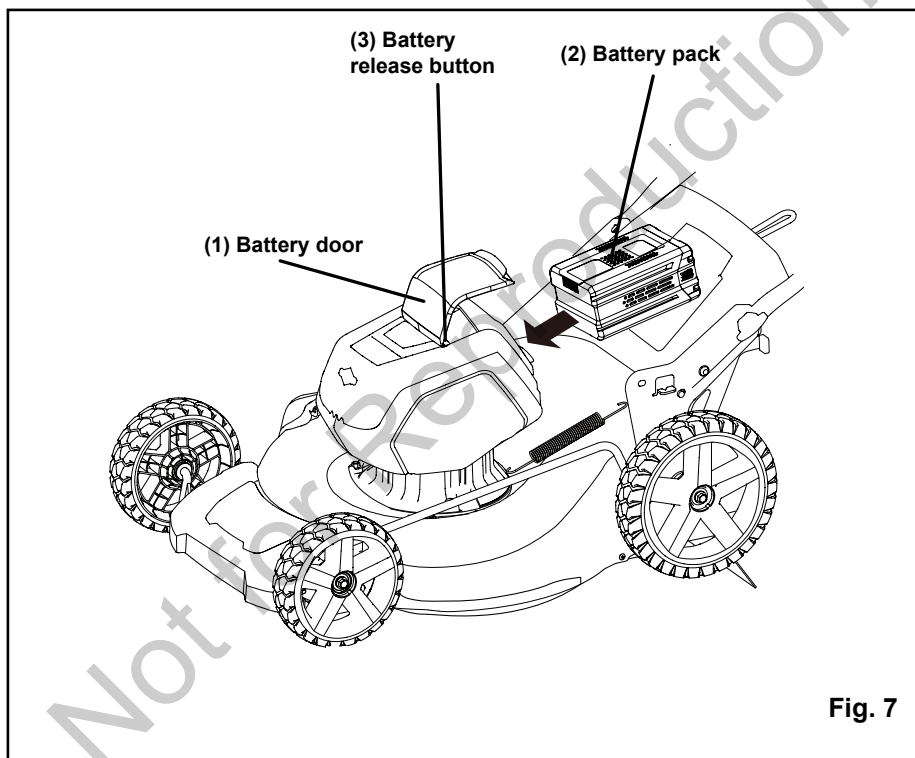


# ASSEMBLY INSTRUCTIONS

---

## TO INSTALL BATTERY PACK (See Figure 7)

- Lift and hold up the battery door (1).
- Align the battery (2) with the mower's battery port.
- Make sure the battery release button (3) snaps in place and that battery is fully seated and secure in the mower before beginning operation.
- If the machine is not going to be used immediately, remove the battery.
- Close the door.



**Fig. 7**

## TO REMOVE BATTERY PACK (See Figure 7)

- Release the bail lever to stop the mower.
- Open the battery door.
- Press the battery release button (3) on the mower. This will cause the battery to raise out of the tool slightly.
- Remove battery from the mower.



# OPERATING YOUR LAWN MOWER

---

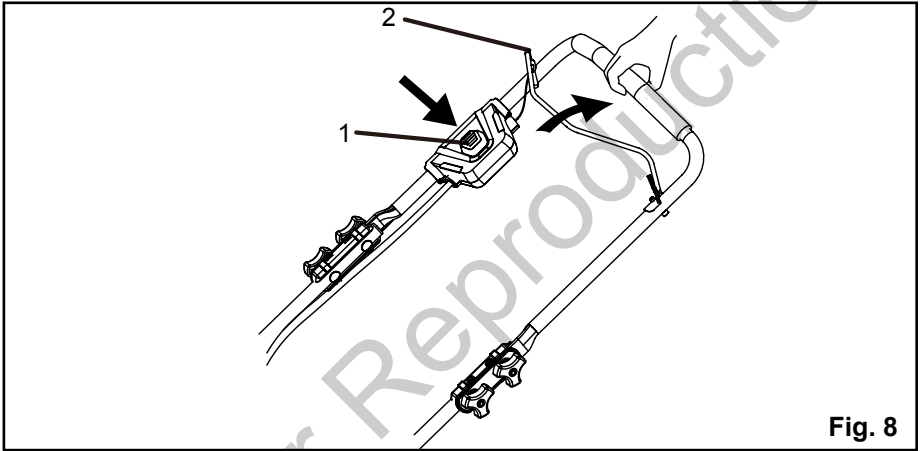
## STARTING/STOPPING THE MOWER (See Figure 8)

### To start the motor:

- Open the battery door.
- Insert the battery.
- Press and hold the safety lock-out button (1).
- Pull the bail lever (2) upward to the handle to start the mower and release the button.

### To stop the motor:

- Release the bail lever.



### Soft-Start

This LI-ION mower is equipped with a “soft-start” feature. When initially starting up, the mower will take approx. 3 seconds to get up to full speed. If the mower does not initially start: Remove the battery and check under the mower deck to ensure there is nothing obstructing the blade and that the blade can spin freely by hand. Even a small amount of grass on start up will prevent the “softstart” from turning the mower on.

---

## ⚠ CAUTION

Do not attempt to override the operation of the safety lock-out button or bail lever.

---

## ⚠ WARNING

The operation of any mower can result in foreign objects being thrown into the eyes, which can cause severe eye damage. Always wear safety glasses while operating the mower and while performing any adjustments or repairs.

---

**INSPECT THE CUTTING AREA.** Remove all stones, sticks, wire, bones, and other debris that might be thrown by the rotating blades.

---

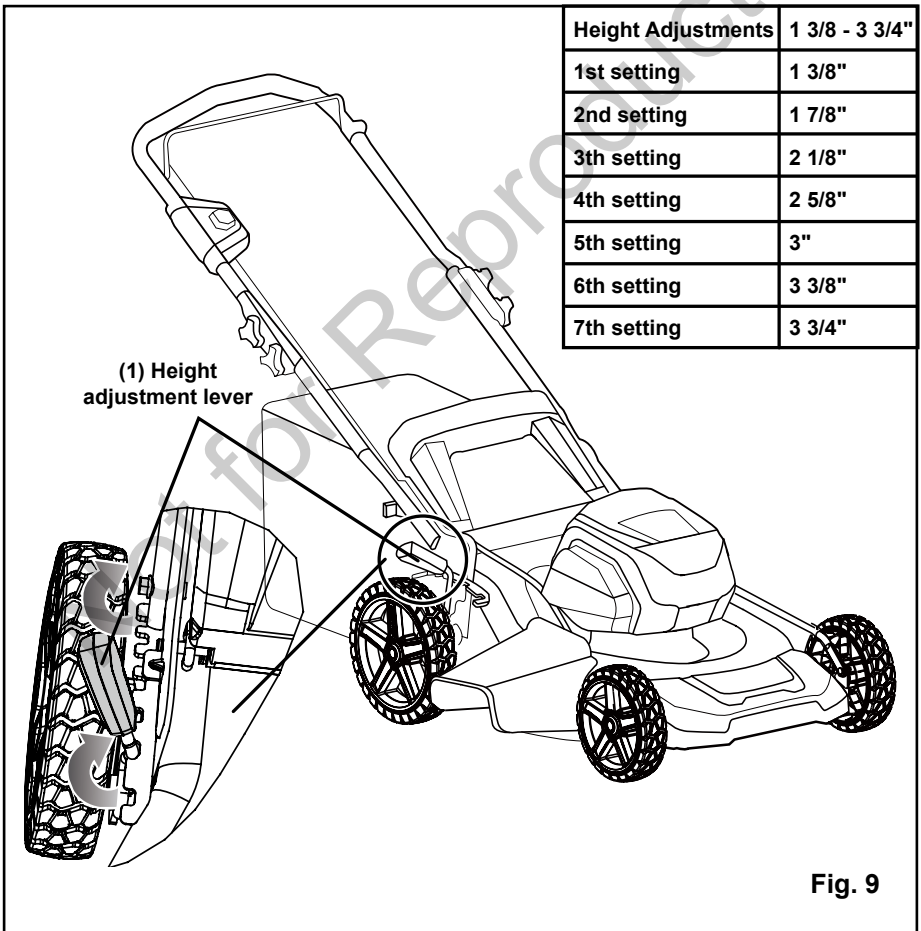
# OPERATING YOUR LAWN MOWER

## CUTTING HEIGHT ADJUSTMENT (See Figure 9)

When shipped, the wheels on the mower are set to a low-cutting position. Before using the mower for the first time, raise the cutting position to the height best suited for your lawn. The average lawn should be between 1 1/2" to 2" (3.8 to 5 cm) during cool months and between 2" and 3 1/2" (5 cm to 8.3 cm) during hot months.

### To adjust the blade height:

- To raise the blade height, grasp the height adjustment lever (1) and move it toward the back of the mower.
- To lower the blade height, grasp the height adjustment lever (1) and move it toward the front of the mower.



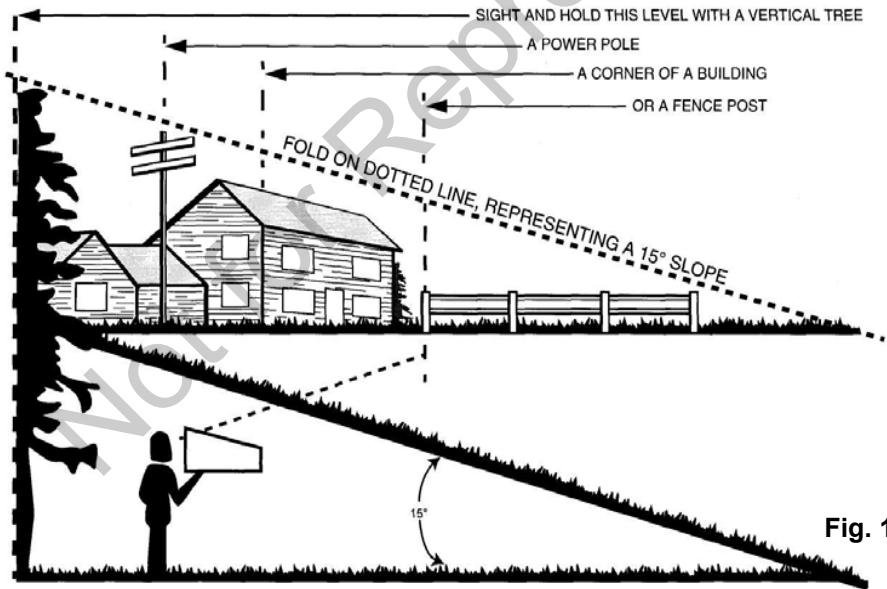
# OPERATING YOUR LAWN MOWER

## SLOPE GAUGE (See Figure 10)

### **▲ WARNING**

Slopes are a major factor related to accidents involving slips and falls, which can result in severe injury. Operating the mower on a slope requires extra caution. If you feel uneasy on a slope, do not mow it. For your safety, use the slope gauge that is included as part of this manual to measure slopes before operating this unit on a sloped or hilly area.

- Mow across the face of a slope, and never up and down. Exercise extreme caution when changing direction on a slope.
- Watch for holes, ruts, rocks, hidden objects, or bumps that may cause a slip or a trip. Tall grass can hide obstacles.
- Always be sure of your footing. If you feel like you are losing your balance, release the blade/motor control handle immediately. The blade will stop rotating within 3 seconds.
- Do not mow near drop-offs, ditches, or embankments, because you could lose your footing or balance.
- Do not mow a slope that has an angle of greater than 15°, as determined using the slope gauge.
- Do not mow wet or damp grass. Unstable footing can cause slipping.



### **▲ WARNING**

Do not mow a slope that has an angle of greater than 15° (a rise of approximately 2 1/2 feet [0.75 m] every 10 feet [3 m]). Mow across the face of a slope, and never up and down.

# OPERATING YOUR LAWN MOWER

---

## MOWING TIPS

*NOTE: A sharp blade will greatly enhance the performance of the mower, especially when cutting high grass. Be sure to check the blade and to sharpen it at least once per year, as described in the Maintenance section.*

- Verify that the lawn is free of stones, sticks, wires, and other objects that could damage the blades or the motor. These objects could be accidentally thrown by the mower in any direction, and could cause serious personal injury to the operator and to others. In order to prevent electric shock, do not operate the mower in damp or wet conditions.
- Do not mow in circles. Travel back and forth across the lawn.
- When cutting thick grass, reduce walking speed in order to allow for a more effective cut and a proper discharge of the clippings.
- For a healthy lawn, always cut off one-third or less of the total length of the grass. The average lawn should be approximately 1 1/2 to 2" (3.8 to 5 cm) long during cool months, and between 2" to 3 1/4" (5 cm to 8.3 cm) long during hot months. If there is growth, the lawn should be cut in the fall.

## MULCHING TIPS

*NOTE: INSPECT THE AREA WHERE THE MOWER IS TO BE USED, AND REMOVE ALL STONES, STICKS, WIRE, BONES, AND OTHER DEBRIS THAT MIGHT BE THROWN BY THE ROTATING BLADE.*

- Release the bail lever to turn the mower OFF when crossing any graveled area (stones can be thrown by the blade).
- Set mower to the highest cutting height when mowing on uneven ground or in tall weeds.
- For effective mulching, do not cut wet grass, because it tends to stick to the underside of the deck, preventing proper mulching of grass clippings. New or thick grass may require a narrower cut. The ground speed should be adjusted to the condition of the lawn. If mowing has been delayed and the grass has been allowed to grow longer than 4" (10 cm), mow the lawn twice in order to reduce the grass height to a maximum of 3 1/4" (8.3 cm).
- Walk at a steady pace. Overlap the cutting rows. Do not let the grass get too tall. If the grass gets too long, start at the highest cutting position and work down to the desired cutting height.

---

## **▲ W A R N I N G**

If you strike a foreign object, stop the motor and remove the battery. Thoroughly inspect the mower for any damage. Repair any damage before operating the mower. Excessive vibration of the mower during operation is an indication of damage. Thoroughly inspect the mower and repair any damage before operating the mower.

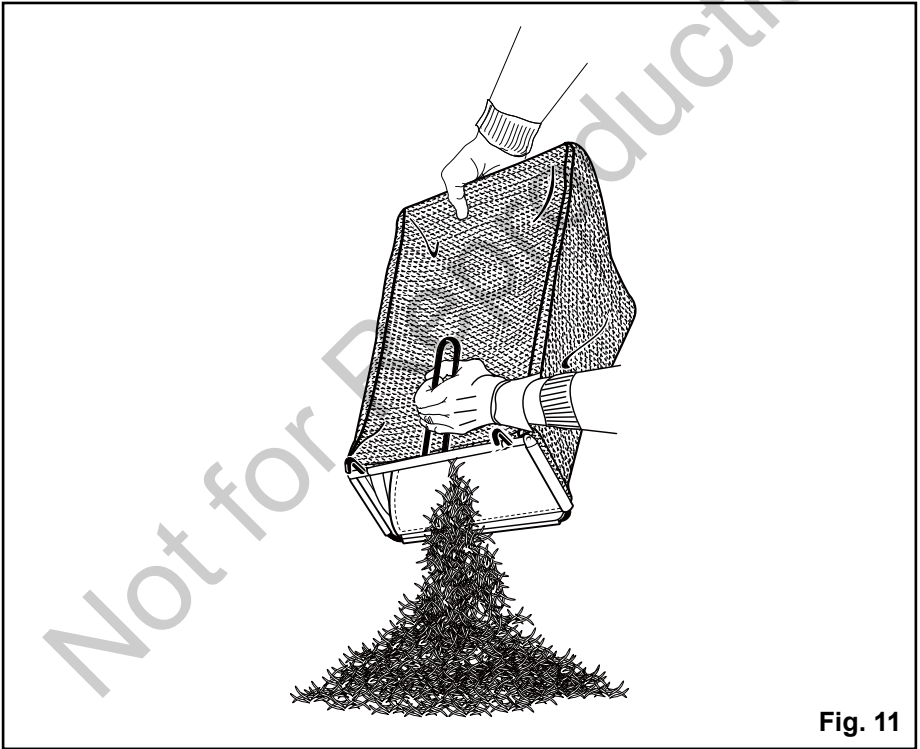
---

# OPERATING YOUR LAWN MOWER

---

## **EMPTYING THE GRASS CATCHER BAG** (See Figure 11)

- Stop mower, allow blades to completely stop, and remove the battery.
- Lift the rear discharge cover.
- Lift the grass catcher bag by its handle to remove from mower.
- Empty grass clippings.
- Lift the rear discharge cover and reinstall the grass catcher bag as described earlier in this manual.



# BATTERY & CHARGER MAINTENANCE

## CHARGING PROCEDURE

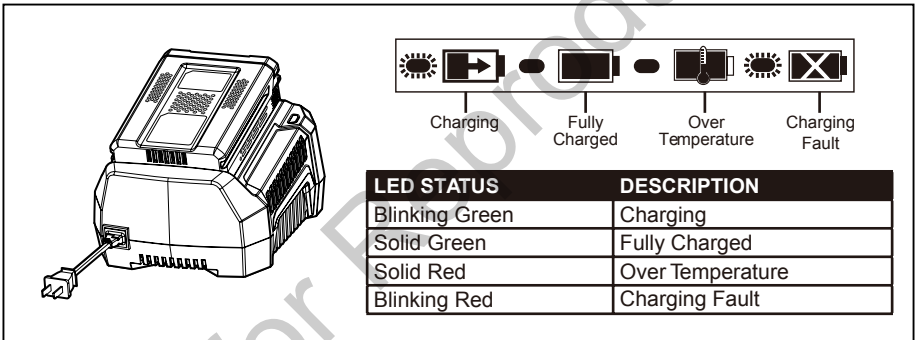
**NOTE:** The battery is not shipped fully charged. It is recommended to fully charge before first use to ensure that maximum run time can be achieved. This lithium-ion battery will not develop a memory and may be charged at any time.

### Low voltage charging:

If the battery has been stored with little to no charge for a long period of time, the charger will go into recovery mode, which will take 20 hrs to fully charge the battery. This will enhance the life of the battery. Once it is fully charged, the next charge will return to standard charging.

1. Plug the charger into an AC power outlet.
2. Insert the battery pack into the charger.

This is a diagnostic charger. The Charger LED Lights will illuminate in specific order to communicate the current battery status. They are as follows:



### False defect note:

When the battery is inserted into the charger and the status LED blinks RED, remove the battery from the charger for 1 minute, then reinsert. If the status LED blinks GREEN, then the battery is properly charging. If the status LED is still blinking RED, remove the battery and unplug the charger for 1 minute. After 1 minute, plug in the charger and reinsert the battery. If the status LED blinks GREEN, then the battery is properly charging. If the status LED is still blinking RED, the battery is defective and needs to be replaced.

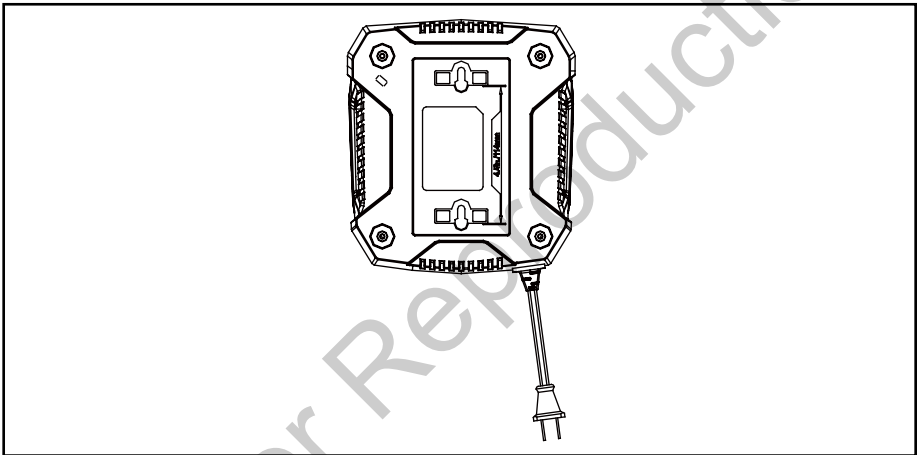
# BATTERY & CHARGER MAINTENANCE

---

## CHARGER MOUNTING

1. This charger can be installed hanging on a wall using two #8 screws (not included).
2. Locate the placement for the charger to be wall mounted.
3. If fastening to wood studs use 2 wood screws (not included).
4. Drill two holes 4.5 in. apart ensuring that they are vertically aligned.
5. If fastening to drywall use wall anchors (not included) and screws to secure the charger to the wall.

***NOTE:*** *If the battery and the charger won't be used for a long time, please remove the battery from the charger and pull out the AC power plug.*



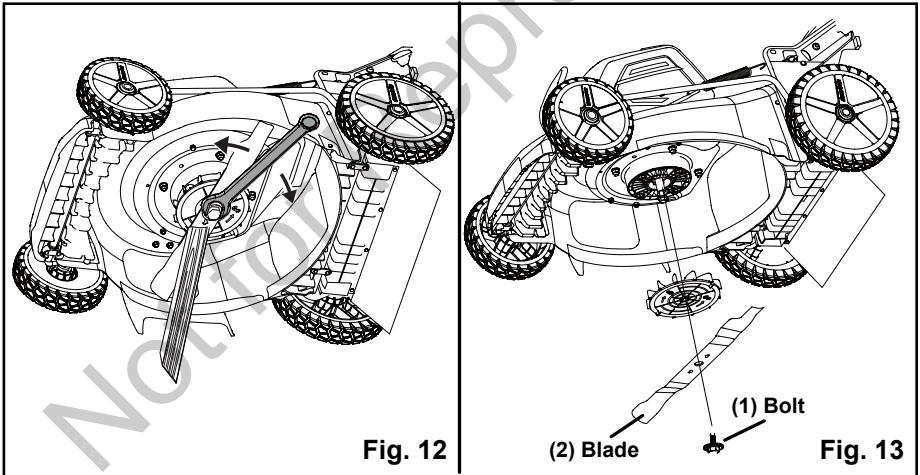
# MAINTENANCE

## REPLACING THE CUTTING BLADE (See Figure 12-13)

### **▲ WARNING**

Always protect your hands by wearing heavy gloves and/or wrapping the cutting edges with rags or other materials when performing any maintenance on the blades. ALWAYS remove the battery when servicing or transporting the mower.

- REMOVE BATTERY.
- While wearing leather padded gloves, wedge a block of wood between the blade and the mower deck in order to prevent the blade from turning when the bolt (1) is being removed.
- Using an adjustable wrench or 27 mm socket, loosen the bolt (1) and remove the blade (2). Turn the bolt "COUNTERCLOCKWISE" to loosen it and "CLOCKWISE" to tighten it.
- Remove the bolt (1) and the blade (2).
- To re-install the blade, position the blade with the cutting edges toward the ground. Assemble the bolt as shown. Using a 27 mm socket or wrench, turn the blade nut "CLOCKWISE" in order to secure the blade.



**NOTE:** Be sure to replace the parts in the exact order in which they were removed. When installing the cutting blade, verify that it is installed with the curved ends pointing toward the mower deck, and not toward the ground. Refer to the schematic drawing on page 34 of this manual.



# MAINTENANCE

---

## CLEANING THE MOWER

---

### **▲ W A R N I N G**

In order to reduce the risk of electric shock, do not expose the mower to water. The underside of the mower deck should be cleaned after each use, because grass clippings, leaves, dirt, and other debris will accumulate, which will cause rust and corrosion.

---

Remove any build-up of grass and leaves on or around the motor cover (do not use water). Occasionally wipe the mower clean with a dry cloth. If debris builds up on the underside of the mower during use, stop the motor, disconnect it from the battery, and then tilt the mower on its side, and scrape it clean using an appropriate tool.

### **STORING THE MOWER**

The following steps should be taken in order to prepare the lawn mower for storage.

- Clean the mower as described in the previous section.
- Inspect the blade, and replace it or sharpen it, if required, refer to the Maintenance section.
- Store the mower in a dry, clean location. Do not store it next to corrosive materials, such as fertilizer or rock salt.
- Store the mower indoors, in a cool, dry place, out of the reach of children. Do not cover the lawn mower with a solid plastic sheet. Plastic coverings trap moisture around the mower, which causes rust and corrosion.
- Remove the battery and store it in a cool dry location, if possible. Charge the battery every two months when not in use in order to increase its life.
- Remove the battery and store in a secure location out of the reach of children.

### **▲ W A R N I N G**

This battery must be charged every 3 months while in storage to maintain maximum capacity.

---

### **VERTICAL STORAGE FUNCTION** (See Figure 14)

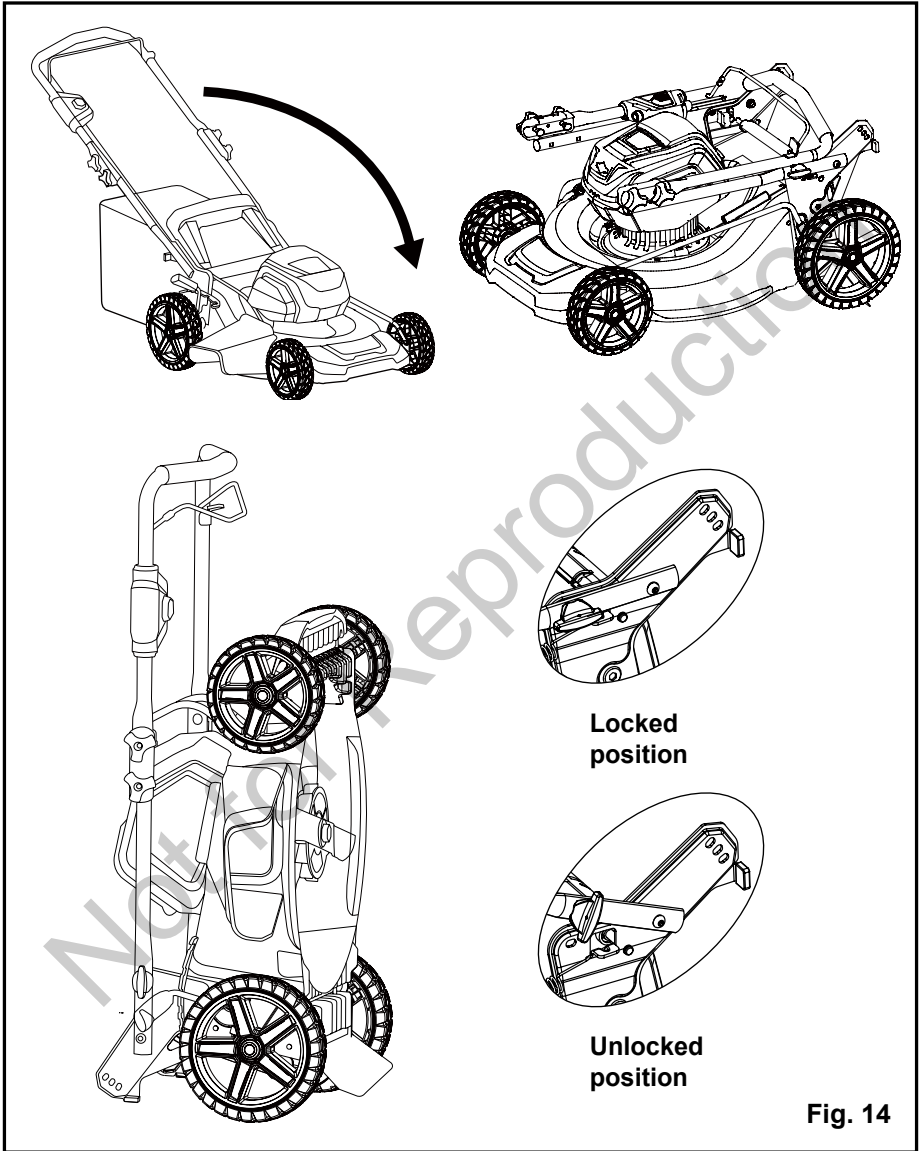
- Remove the battery from the mower.
- Remove the grass catcher bag.
- Rotate the handle knobs to the unlocked position.
- Lower the handle assembly and rotate the handle knobs to the locked position.
- Lift the mower by the front end to the vertical position.

### **▲ W A R N I N G**

Always remove the battery from the mower before placing the unit in the vertical storage position.

---

# MAINTENANCE



# MAINTENANCE

---

- When servicing the mower, use only identical replacement parts that are available from the manufacturer. In order to obtain replacement parts, call the toll-free helpline, at 1-800-317-7833. The use of parts that do not meet the original equipment specifications may lead to improper performance, and may compromise safety.
- Before cleaning, repairing, or inspecting, verify that the blade and all moving parts have come to a complete stop. Remove the battery when making any adjustments or when any of the four wheels must be lifted off the ground.
- Follow the instructions for lubricating and changing accessories.
- Keep the handles dry, clean, and free of oil and grease.
- In order to reduce the risk of fire, keep the motor free of grass, leaves, and debris build-up.
- Check the blade and motor mounting bolts for proper tightness frequently. Visually inspect blade for damage (e.g., bent, cracked, or worn).
- For best and safest performance, maintain the mower with care. Keep the mower blade sharp and clean. Mower blades are sharp, and can cut. Wrap the blades or wear gloves, and use extra caution when servicing.
- Keep all nuts, bolts, and screws tight in order to be sure that the equipment is in safe working condition.
- Never tamper with safety devices. Check them regularly for proper operation.
- After striking a foreign object, stop the motor. Thoroughly inspect the mower for any damage. Repair any damage before operating the mower.
- The grass catcher components, discharge cover, and trail shield are subject to wear and damage, which could expose moving parts or allow objects to be thrown. As a safety precaution, check these components frequently, and immediately replace any parts that show signs of wear, or that are cracked or broken. Use original equipment manufacturer's (OEM) parts only, as listed in this manual.
- When it is not in use, store the mower indoors in a dry area, and out of the reach of children.

---

## **▲ W A R N I N G**

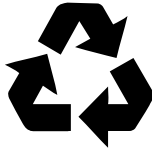
Always remove battery when servicing or transporting the mower.

---

# ENVIRONMENTALLY SAFE BATTERY DISPOSAL

---

The batteries used in this mower's battery pack contain the following toxic and corrosive material:  
LITHIUM-ION.



---

## **▲ W A R N I N G**

Toxic materials must be disposed of in a specified manner in order to prevent contamination of the environment. Before disposing of damaged or worn out Lithium-Ion battery packs, contact your local waste disposal agency for information and specific instructions. Take the battery to a local recycling and/or disposal centre that is certified for disposal. If the battery pack cracks or breaks, whether it leaks or not, do not recharge it and do not use it. Dispose of it and replace it with a new battery pack. **DO NOT ATTEMPT TO REPAIR IT!**

---

Follow these instructions in order to avoid injury and the risk of fire, explosion, or electric shock, and to avoid damage to the environment:

- Cover the battery's terminals with heavy-duty adhesive tape.
- Do not attempt to remove or destroy any of the components of the battery pack.
- Do not attempt to open the battery pack.
- If a leak develops, the electrolytes that are released are corrosive and toxic. Do not get the solution in the eyes or on the skin, and do not swallow it.
- Do not place batteries in regular household trash.
- DO NOT incinerate batteries.
- DO NOT place batteries where they will become part of any waste landfill or municipal solid waste stream.
- Dispose of batteries at a certified recycling or disposal center.

# TROUBLESHOOTING

PROBLEM	POSSIBLE CAUSE	SOLUTION
The mower does not start.	The battery is not charged.	Charge the battery.
	The switch is defective.	Replace the switch (call the tollfree helpline, at 1-800-317-7833.
	Grass jammed between the deck and blade.	Remove battery; check under deck for jams.
	The battery is not fully inserted in the mower.	Check the connection between the battery and the mower. Make sure the battery clicks into place.
The mower cuts the grass unevenly.	Battery may require service or replacement.	Call toll free helpline, at 1-800-317-7833 or replace battery.
	The lawn is rough or uneven.	Check the mowing area.
The mower does not mulch properly.	The cutting height is not set properly.	Move the wheels to a higher setting.
	Wet grass clippings are sticking to the underside of the deck.	Wait until the grass dries before mowing.
The mower is hard to push.	The mulching plug is missing.	Install the mulching plug.
	The grass is too tall, or the cutting height is too low.	Raise the cutting height.
The mower is excessively noisy and vibrates.	The rear of the grass catcher bag is dragging in thick grass.	Empty the grass clippings from the grass catcher bag.
	The motor shaft is bent.	Stop the motor, and inspect for damage.
	The blade is unbalanced.	Repair before restarting. If vibration persists, call the toll free helpline 1-800-317-7833.

# LIMITED WARRANTY

---

Briggs & Stratton warrants that, during the warranty period specified below, it will repair or replace, free of charge, any part that is defective in material or workmanship or both. Transportation charges on product submitted for repair or replacement under this warranty must be borne by purchaser. This warranty is effective for and is subject to the time periods and conditions stated below. For warranty service, find the nearest Authorized Service Dealer in our dealer locator map at [www.SNAPPER.com](http://www.SNAPPER.com). The purchaser must contact the Authorized Service Dealer, and then make the product available to the Authorized Service Dealer for inspection and testing.

There is no other express warranty. Implied warranties, including those of merchantability and fitness for a particular purpose, are limited to the warranty period listed below, or to the extent permitted by law. Liability for incidental or consequential damages are excluded to the extent exclusion is permitted by law. Some states or countries do not allow limitations on how long an implied warranty lasts, and some states or countries do not allow the exclusion or limitation of incidental or consequential damages, so the above limitation and exclusion may not apply to you. This warranty gives you specific legal rights and you may also have other rights which vary from state to state or country to country.\*\*

## WARRANTY PERIOD

	Consumer Use	Commercial Use
Equipment	60 months	90 days
Battery and Battery Charger	24 months	none

\*\* In Australia - Our goods come with guarantees that cannot be excluded under the Australian Consumer Law. You are entitled to a replacement or refund for a major failure and for compensation for any other reasonably foreseeable loss or damage. You are also entitled to have the goods repaired or replaced if the goods fail to be of acceptable quality and the failure does not amount to a major failure. For warranty service, find the nearest Authorized Service Dealer in our dealer locator map at [BRIGGSandSTRATTON.COM](http://BRIGGSandSTRATTON.COM), or by calling 1300 274 447, or by emailing or writing to [salesenquires@briggsandstratton.com.au](mailto:salesenquires@briggsandstratton.com.au), Briggs & Stratton Australia Pty Ltd, 1 Moorebank Avenue, NSW, Australia, 2170.

The warranty period begins on the date of purchase by the first retail or commercial consumer. "Consumer use" means personal residential household use by a retail consumer. "Commercial use" means all other uses, including use for commercial, income producing or rental purposes. Once a product has experienced commercial use, it shall thereafter be considered as a commercial use product for purposes of this warranty.

To ensure prompt and complete warranty coverage, register your product at the website shown above or at [www.onlineproductregistration.com](http://www.onlineproductregistration.com).

Save your proof of purchase receipt. If you do not provide proof of the initial purchase date at the time warranty service is requested, the manufacturing date of the product will be used to determine the warranty period. Product registration is not required to obtain warranty service on Briggs & Stratton products.

# LIMITED WARRANTY

---

## **ABOUT YOUR WARRANTY**

Warranty service is available only through Snapper Authorized Service Dealers. This warranty covers only defects in materials or workmanship. It does not cover damage caused by improper use or abuse, improper maintenance or repair, normal wear and tear, or stale or unapproved fuel.

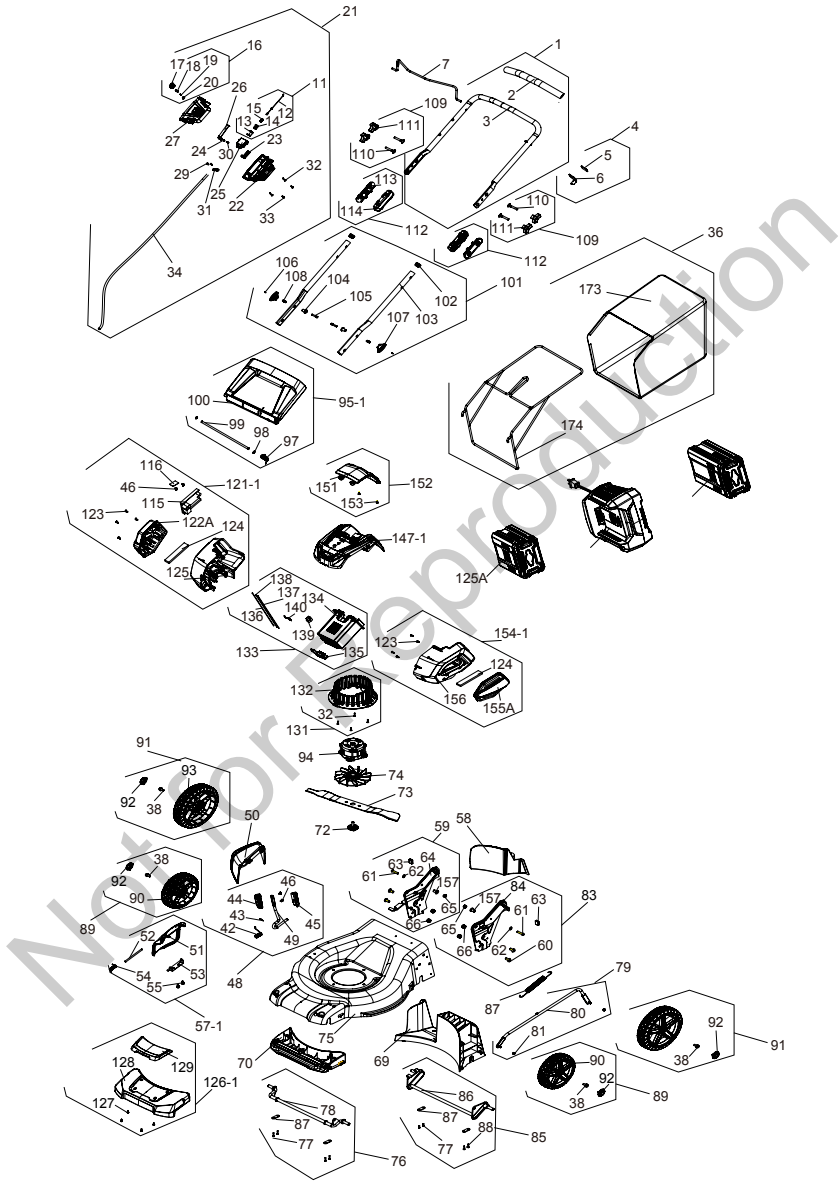
**Improper Use and Abuse** - The proper, intended use of this product is described in the Operator's Manual. Using the product in a way not described in the Operator's Manual or using the product after it has been damaged will not be covered under this warranty. Warranty coverage will also not be provided if the serial number on the product has been removed or the product has been altered or modified in any way, or if the product has evidence of abuse such as impact damage or water/chemical corrosion damage.

**Improper Maintenance or Repair** - This product must be maintained according to the procedures and schedules provided in the Operator's Manual, and serviced or repaired using genuine Briggs & Stratton parts or equivalent. Damage caused by lack of maintenance or use of non-original parts is not covered by warranty.

**Normal Wear and Tear** - Like most mechanical devices, your unit is subject to wear even when properly maintained. This warranty does not cover repairs when normal use has exhausted the life of a part or the equipment. Maintenance and wear items such as filters, belts, cutting blades, and brake pads (except engine brake pads) are not covered by warranty due to wear characteristics alone, unless the cause is due to defects in material or workmanship.

**Other Exclusions** - This warranty excludes damage due to accident, abuse, modifications, alterations, improper servicing, freezing or chemical deterioration. Attachments or accessories that were not originally packaged with the product are also excluded. There is no warranty coverage on equipment used for primary power in place of utility power or on equipment used in life support applications. This warranty does not include used, reconditioned, second-hand, or demonstration equipment or engines. This warranty also excludes failures due to acts of God and other force majeure events beyond the manufacturer's control.

# EXPLODED VIEW





# PARTS LIST

ITEM NO.	PART NO.	DESCRIPTION	QTY
1	770168	KIT, UPPER HANDLE, NA	1
2	-----	SPONGE	1
3	-----	PUSH ROD, UP	1
4	770170	KIT, STOP	1
5	-----	SPONGE	1
6	-----	PIECE, LIMIT	1
7	770169	KIT, LEVER	1
11	770171	KIT, CABLE ASSEMBLY	1
12	-----	LASSO, THE START	1
13	-----	SLIDER	1
14	-----	SEAT, FIXED	1
15	-----	SPRING	1
16	770173	KIT, BUTTON	1
17	-----	BUTTON, THE START	1
18	-----	SPRING	1
19	-----	GASKET	1
20	-----	SCREW	1
21	770172	KIT, SWITCH BOX COMPONENT, NA	1
22	-----	COVER, DOWN	1
23	-----	SLIDER, SWITCH	1
24	-----	SPRING	1
25	-----	SWITCH	1
26	-----	BOARD, RIGID	1
27	-----	COVER, UP	1
29	-----	SCREW	2
30	-----	SHAFT, SMALL	1
31	-----	BOARD, LINE PRESSING	1
32	-----	SCREW	2
33	-----	SCREW	2
34	-----	WIRE	1
11	770171	KIT, CABLE ASSEMBLY	1
16	770173	KIT, BUTTON	1
36	770182	KIT, GRASS BAGGER	1
173	-----	BAG, CLOTH	1
174	-----	FRAME, GRASS BAG	1

# PARTS LIST

ITEM NO.	PART NO.	DESCRIPTION	QTY
48	770180	ASSEMBLY, HEIGHT ADJUST BAR, NA	1
42	-----	SPRING	1
43	-----	PIN	1
44	-----	SHELL, LEFT	1
45	-----	SHELL, RIGHT	1
46	-----	SCREW	2
49	-----	ROB, ADJUST	1
50	770194	KIT, CHUTE	1
57-1	770193	KIT, COVER, NA	1
51	-----	COVER	1
52	-----	SHAFT	1
53	-----	STENTS	1
54	-----	SPRING	1
55	-----	BOLT	2
58	770183	KIT, PLUG	1
59	770178	KIT, RIGHT BRACKET, NA	1
60	-----	BOLT	2
61	-----	BOLT	1
62	-----	GASKET	1
63	-----	PLUG, RUBBER	1
64	-----	HEIGHT ADJUST, RIGHT	1
65	-----	NUT	1
66	-----	NUT	2
157	-----	BLOCK	1
69	770205	KIT, BACK BULKHEAD	1
70	770206	KIT, FRONT BULKHEAD	1
72	770190	KIT, BOLT	1
73	770191	KIT, BLADE	1
74	770199	KIT, FAN	1
75	770204	KIT, DECK	1
76	770186	KIT, FRONT AXLE	1
77	-----	SCREW	4
78	-----	SHAFT, FRONT	1
87	-----	TABLET	2
79	770185	KIT, HEIGHT ADJUST	1

# PARTS LIST

ITEM NO.	PART NO.	DESCRIPTION	QTY
80	-----	ROD, CONNNETING	1
81	-----	NUT	2
82	770189	KIT, SPRING	1
83	770179	KIT, LEFT BRACKET	1
84	-----	HEIGHT ADJUST, LEFT	1
60	-----	BOLT	2
61	-----	BOLT	1
62	-----	GASKET	1
63	-----	PLUG, RUBBER	1
65	-----	NUT	1
66	-----	NUT	2
157	-----	BLOCK	1
85	770184	KIT, BACK AXLE	1
86	-----	SHAFT, 21" BACK	1
87	-----	TABLET	2
88	-----	SCREW	2
77	-----	SCREW	2
89	770188	KIT, 8" WHEEL	1
90	-----	WHEEL, 8"	1
92	-----	WHEEL COVER	1
38	-----	BOLT	1
40	-----	GASKET, 80V	1
91	770187	KIT, 10" WHEEL	1
92	-----	WHEEL COVER	1
93	-----	WHEEL, 10"	1
38	-----	BOLT	1
40	-----	GASKET, 80V	1
94	770174	KIT, MOTOR	1
95-1	770181	KIT, REAR COVER ASSEMBLY, NA	1
97	-----	SPRING	1
98	-----	COTTER PIN	2
99	-----	SHAFT	1
100	-----	COVER, REAR	1
101	770177	KIT, LOWER HANDLE	1
102	-----	PLUG, RUBBER	1

# PARTS LIST

ITEM NO.	PART NO.	DESCRIPTION	QTY
103	-----	ROB, DOWN PUSH	1
104	-----	BLOCK	1
105	-----	LIMIT COLUMN	1
106	-----	PIN	1
107	-----	KNOB	1
108	-----	SPRING	1
109	770175	KIT, HARDWARE	1
110	-----	BOLT	1
111	-----	KNOB	1
112	770176	KIT, BOX, FIXED	1
113	-----	MAIN BODY, FIXED BOX	1
114	-----	COVER, FIXED BOX	1
115	770203	KIT, PCB	1
116	-----	SENSOR	1
117	-----	21"PCB	1
46	-----	SCREW	2
121-1	770197	KIT, RIGHT COVER, NA	1
122A	-----	SIDE COVER, RIGHT	1
123	-----	SCREW	4
124	-----	DUST SCREEN	1
125	-----	MAIN HOUSE, RIGHT	1
126-1	770477	KIT, FRONT PANEL, NA	1
127	-----	SCREW	4
128	-----	MAIN BODY, BUMPER	1
129	-----	COVER, BUMPER	1
131	770200	KIT, BASE	1
132	-----	THE BASE	1
32	-----	SCREW	4
133	770196	KIT, BATTERY COMPARTMENT ASSEMBLY, NA	1
134	-----	CAVITY, BATTERY PACK	1
135	-----	INSERT	1
136	-----	WIRE, RED	33cm
137	-----	WIRE, YELLOW	33cm
138	-----	WIRE, BLACK	33cm
139	-----	THE SHELL	1

# PARTS LIST

---

ITEM NO.	PART NO.	DESCRIPTION	QTY
140	-----	TERMINAL	3
143	770202	KIT, BUTTON	1
144	-----	SHAFT	1
145	-----	BUTTON	1
146	-----	SPRING	1
147-1	770201	KIT, TOP COVER, NA	1
152	770195	KIT, BATTERY COVER	1
151	-----	BATTERY DOOR	1
153	-----	SCREW	2
154-1	770198	KIT, LEFT COVER, NA	1
155A	-----	COVER, LEFT SIDE	1
156	-----	MAIN HOUSING, LEFT	1
123	-----	SCREW	4
124	-----	DUST SCREEN	1
125A	1760266	BATTERY, 2AH, NA (OPTION)	1
126A	1760263	CHARGER, RAPID, NA (OPTION)	1
127A	1760265	BATTERY, 4AH, NA (OPTION)	1

**SNAPPER**<sup>®</sup>

**XD**

**Briggs & Stratton Power Products Group, LLC**

**P.O. Box 702**

**Milwaukee, WI 53201**

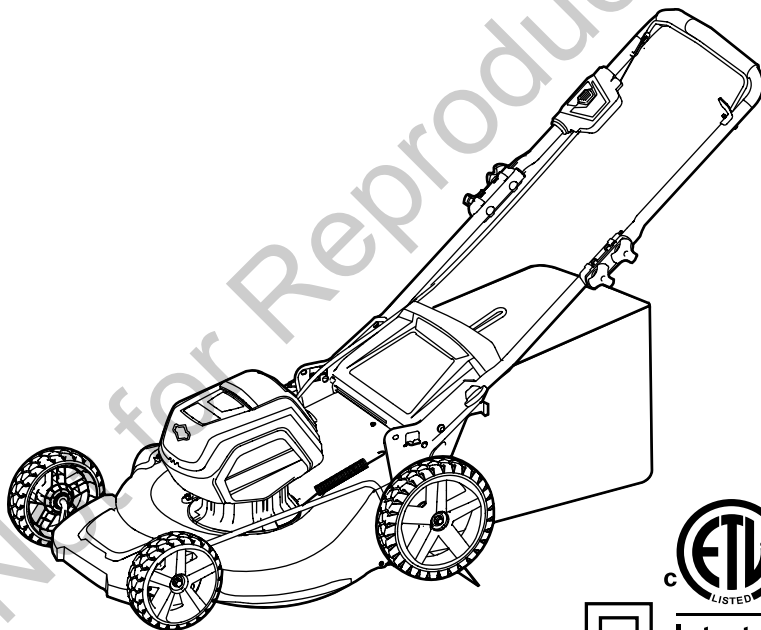
**TOLL-FREE HELPLINE: 1-800-317-7833**

---

# **SNAPPER®**

## **XD**

Tondeuse à batterie au lithium-ion de 82 V  
1696777(SXDWM82)



**Intertek**  
3091488

Guide d'utilisation

**LIGNE D'ASSISTANCE SANS FRAIS :1-800-317-7833**

[www.snapper.com](http://www.snapper.com)



Avant d'utiliser le produit, veuillez lire et suivre toutes les consignes de sécurité et les instructions d'utilisation.

# MATIÈRES

---

Matières .....	2
Fiche technique .....	2
Règles de sécurité .....	3
Symboles .....	9
Caractéristiques .....	11
Assemblage .....	12
Utilisation .....	20
Entretien de la batterie et du chargeur .....	25
Entretien .....	27
Réparation .....	30
Mise au rebut de la batterie sans danger pour l'environnement .....	31
Dépannage .....	32
Garantie Limitée .....	33
Vue éclatée .....	35
Liste des pièces .....	36

## FICHE TECHNIQUE

---

### TONDEUSEUSE À BATTERIE AU LITHIUM-ION DE 82 V

Batterie .....	82V Lithium-ion
Vitesse à vide .....	2800 tr/min
Dimensions du châssis .....	21" (53.3 cm)
Réglage de hauteur .....	1 3/8 po. - 3 3/4 po. (3,5 - 9,5 cm)
Fonctions .....	3 en 1 : déchetage, éjection latérale ou sac arrière
Poids(sans batterie): .....	65.6 lbs (29.74 kg)

Avis de non-responsabilité : \*La tension initiale et maximale de la batterie (mesurée à vide) est de 82 volts. La tension nominale est de 72 V.



# RÈGLES DE SÉCURITÉ

---

## RÈGLES DE SÉCURITÉ GÉNÉRALES

VEUILLEZ LIRE TOUTES LES INSTRUCTIONS ATTENTIVEMENT.

---

### **▲ AVERTISSEMENT**

Ce symbole identifie des consignes de sécurité importantes qui, si elles ne sont pas respectées, peuvent compromettre la sécurité de l'utilisateur, des autres personnes et des biens environnants. Avant d'utiliser la tondeuse, assurez-vous de lire et de bien comprendre toutes les instructions contenues dans le présent guide, car le non-respect des consignes de sécurité pourrait causer des blessures.

---

### **▲ DANGER**

La tondeuse doit être utilisée conformément aux règles de sécurité contenues dans le présent guide. Comme avec tout autre type d'appareil électrique, la négligence ou une erreur de manœuvres peuvent compromettre la sécurité de l'utilisateur, des autres personnes et des biens environnants. Avant d'utiliser la tondeuse, assurez-vous de lire et de bien comprendre toutes les instructions contenues dans le présent guide, car le non-respect des consignes de sécurité pourrait causer des blessures graves et même la mort.

---

### **▲ AVERTISSEMENT**

Lorsqu'on utilise une tondeuse électrique, il faut toujours prendre des précautions de base afin d'éviter les risques d'incendie, de choc électrique et de blessure.

---

### **▲ AVERTISSEMENT**

Ce symbole identifie des consignes de sécurité importantes qui, si elles ne sont pas respectées, peuvent compromettre la sécurité de l'utilisateur, des autres personnes et des biens environnants. Avant d'utiliser la tondeuse, assurez-vous de lire et de bien comprendre toutes les instructions contenues dans le présent guide, car le non-respect des consignes de sécurité pourrait causer des blessures.

---

### **▲ AVERTISSEMENT**

- Pour une utilisation sécuritaire, assurez-vous de lire et de comprendre le manuel d'instructions.
  - Afin de réduire les risques de choc électrique, n'exposez pas cet article à l'eau et ne l'utilisez pas sur un sol mouillé.
  - Remplacez immédiatement les pièces endommagées. Débranchez la pile et retirez-la avant d'effectuer l'entretien.
  - Retirez le bloc-piles avant d'effectuer l'entretien ou de retirer la lame.
  - Ne passez pas la main sous le protège-lame.
  - Dans les pentes, dirigez-vous d'un côté à l'autre, et non de haut en bas.
  - N'utilisez pas l'article à moins de 30,48 m d'autres personnes ou d'animaux.
  - Maintenez tous les dispositifs de sécurité (protecteurs, écrans, interrupteurs, etc.) en place et fonctionnels.
  - Regardez derrière vous avant de reculer et en reculant.
  - Retirez les objets qui pourraient être projetés par la lame.
  - Pour réduire le risque de blessure aux yeux, portez des lunettes de protection.
  - La poussière créée lors de l'utilisation d'un outil électrique peut contenir des chimiques reconnus par l'état de la Californie comme étant la cause de cancers, d'anomalies ou d'autres problèmes liés aux fonctions reproductrices.
  - Respecte les exigences de sécurité de la CPSC pour les lames.
  - À utiliser uniquement avec les batteries Briggs & Stratton BSB2AH82 (2 amp-heure) et BSB4AH82 (4 amp-heure). À utiliser uniquement avec le chargeur BSRC82 de Briggs & Stratton.
-

# RÈGLES DE SÉCURITÉ

---

- Lisez attentivement toutes les instructions inscrites sur la tondeuse et dans le guide d'utilisation avant d'assembler et d'utiliser la tondeuse. Conservez le présent guide en lieu sûr pour pouvoir le consulter au besoin.
- Familiarisez-vous avec toutes les commandes de l'appareil et la façon correcte de l'utiliser, de l'arrêter et de désactiver les commandes en cas d'urgence.
- Pour éviter tout contact avec les lames ou les blessures causées par des objets projetés, demeurez dans la zone de l'utilisateur, derrière les lames, et tenez les enfants et toute autre personne à une distance d'au moins 100 pi (30 m) lorsque la tondeuse fonctionne. Si une personne entre dans la zone de travail, arrêtez la tondeuse immédiatement.
- Examinez soigneusement la zone où vous allez utiliser la tondeuse. Enlevez les pierres, les morceaux de bois et de fil métallique, les os, les jouets et tout autre objet sur lesquels vous pourriez trébucher ou qui pourraient être projetés par la tondeuse. Les objets projetés peuvent causer de graves blessures.
- Planifiez votre trajet de coupe de façon à éviter que le gazon coupé soit éjecté vers la rue, le trottoir, les personnes, etc. Évitez d'éjecter le gazon coupé vers un mur ou un objet afin que le gazon ne ricoche pas vers vous.
- Portez toujours des lunettes protectrices pour vous protéger les yeux pendant l'utilisation, la réparation ou l'entretien de la tondeuse. Les objets projetés qui ricochent peuvent causer de graves blessures aux yeux.
- Portez toujours un masque facial ou antipoussière quand vous utilisez la tondeuse dans un milieu poussiéreux.
- Portez des vêtements appropriés. Ne portez pas de vêtements amples ou de bijoux qui pourraient se coincer dans les pièces mobiles de la tondeuse. Le port de gants protecteurs et de chaussures de sécurité est également recommandé.
- De nombreuses blessures sont causées par le passage de la tondeuse sur un pied de l'utilisateur qui a fait une chute après avoir glissé ou trébuché. Quand vous utilisez l'appareil, ne travaillez pas pieds nus et ne portez pas de sandales ou des chaussures légères (en toile, par exemple). Si vous tombez, ne retenez pas la tondeuse. Lâchez immédiatement le guidon.
- Ne tirez jamais la tondeuse vers vous quand vous marchez. Si vous devez reculer pour éloigner la tondeuse d'un mur ou d'un obstacle, regardez d'abord derrière vous pour éviter de tomber, puis faites ce qui suit :
  - Éloignez-vous de la tondeuse en allongeant complètement les bras.
  - Assurez-vous d'être bien en équilibre.
  - Faites reculer la tondeuse lentement.
- N'utilisez la tondeuse que pour le travail pour lequel elle est conçue. Ne forcez pas la tondeuse.
- N'utilisez pas la tondeuse si vous êtes sous l'influence d'alcool, de médicaments ou de drogues.
- Faites preuve de vigilance. Portez attention à ce que vous faites. Faites preuve de bon jugement et n'utilisez pas la tondeuse si vous êtes sous l'effet de la fatigue, de la drogue, de l'alcool ou de médicaments.
- Ne mettez pas les mains ou les pieds près des pièces mobiles ou sur la surface de coupe, car les lames pourraient vous les couper.

# RÈGLES DE SÉCURITÉ

---

- N'essayez pas de régler les roues ou la hauteur de coupe pendant que le moteur tourne.
- Évitez les environnements dangereux. N'utilisez pas la tondeuse sous la pluie, ou sur une pelouse humide ou mouillée.
- Utilisez la tondeuse uniquement à la lumière du jour ou sous un bon éclairage artificiel. Ne travaillez jamais à la hâte avec une tondeuse.
- Arrêtez les lames de tourner quand vous traversez une entrée, un trottoir ou une route en gravier.
- Si la tondeuse se met à vibrer de façon anormale, arrêtez le moteur et trouvez immédiatement la cause de la vibration. En général, la vibration est un signe annonciateur d'un problème.
- Fermez le moteur et attendez que les lames soient complètement arrêtées avant de retirer le sac à herbe ou de débloquer la bouche d'évacuation. Les lames rotatives continueront de tourner pendant quelques secondes après l'arrêt du moteur. N'approchez aucune partie du corps de la zone des lames tant qu'elles ne sont pas complètement arrêtées.
- N'utilisez jamais la tondeuse si elle n'est pas dotée d'un écran protecteur, d'un couvercle d'éjection, d'un sac à herbe, d'une commande pour les lames et le moteur ou de tout autre dispositif de sûreté en bon état de marche. Pour éviter les risques de blessure, n'utilisez pas la tondeuse si ses dispositifs de sûreté sont endommagés.
- Ne faites pas forcer la tondeuse à gazon. Elle effectuera un meilleur travail dans de meilleures conditions de sécurité si elle est utilisée dans les limites de ses capacités.
- Rangez votre tondeuse à l'intérieur lorsque vous ne l'utilisez pas. La tondeuse à gazon doit être rangée en un endroit sec, verrouillé et hors de portée des enfants lorsque vous ne l'utilisez pas.
- Entretenez votre tondeuse à gazon. Gardez les éléments de coupe propres et bien affûtés pour de meilleures performances et une sécurité accrue.
- Si la tondeuse à gazon heurte un objet étranger, suivez ces étapes :
  - Arrêtez la tondeuse, relâchez l'interrupteur.
  - Retirez la clé ainsi que la batterie.
  - Vérifiez les dommages éventuels.
- Réparez tout dommage avant remise en marche et utilisation de la tondeuse à gazon.
- Ne rechargez pas la tondeuse à gazon sous la pluie ou en milieu humide.
- Retirez ou débranchez la batterie avant toute opération d'entretien, de nettoyage, ou de retrait de matériaux de la tondeuse à gazon.
- Vérifiez régulièrement l'état du cordon de la tondeuse, faites réparer celui-ci par un centre de réparation agréé.
- Employez des lames remplacement identiques.
- N'ouvrez pas ni n'utilisez les batteries. L'électrolyte qui s'en dégagerait est corrosive et elle pourrait blesser les yeux ou la peau. En outre, ce produit est toxique lorsqu'ingéré.
- En cas d'utilisation sous la lumière directe du soleil, protégez de l'eau et de l'exposition à la pluie.
- Entreposez à l'intérieur et protégez de la pluie ou de l'eau, évitez une exposition directe à la lumière du soleil.

# RÈGLES DE SÉCURITÉ

---

## SÉCURITÉ DES ENFANTS

Des accidents tragiques peuvent survenir si l'utilisateur n'est pas conscient de la présence d'enfants à proximité.

- Tenez les enfants à distance de la zone de coupe, et sous la surveillance attentive d'un adulte.
- Ne permettez pas à des enfants de moins de 14 ans d'utiliser la tondeuse. Les enfants de 14 ans et plus qui utilisent la tondeuse doivent être formés et supervisés par un parent et doivent avoir lu et compris les instructions d'utilisation et les consignes de sécurité contenues dans le présent guide.
- Faites preuve de vigilance. Fermez le moteur de la tondeuse si un enfant ou une autre personne entre dans la zone de coupe.
- Au moment et avant de faire reculer la tondeuse, regardez tout autour de vous pour vérifier qu'il n'y a pas de petits enfants à proximité.
- Faites preuve d'une extrême prudence lorsque vous approchez de tournants sans visibilité, de portes, d'arbustes, d'arbres ou d'autres objets qui pourraient vous empêcher de voir un enfant courant dans la trajectoire de la tondeuse.

## BATTERIE ET CHARGEUR

### **⚠ ATTENTION**

UTILISEZ UNIQUEMENT DES BATTERIES DE RECHANGE APPROUVÉES PAR Briggs & Stratton, CAR LES AUTRES BATTERIES PEUVENT CAUSER DES BLESSURES OU ENDOMMAGER LA TONDEUSE. À utiliser uniquement avec les batteries Briggs & Stratton BSB2AH82 (2 amp-heure) et BSB4AH82 (4 amp-heure).

---

### MESURES DE SÉCURITÉ RELATIVES À LA BATTERIE

- Les outils fonctionnant sur piles n'ayant pas besoin d'être branchés sur une prise secteur, ils sont toujours en état de fonctionnement. Tenir compte des dangers possibles lorsque l'outil n'est pas en usage et lors du remplacement des piles. Le respect de cette consigne réduira les risques d'incendie, de choc électrique et de blessures graves.
  - Ne pas placer les outils électriques sans fil ou leurs piles à proximité de flammes ou d'une source de chaleur. Ceci réduira les risques d'explosion et de blessures.
  - Ne pas écraser, faire tomber ou endommager le bloc de piles. Ne jamais utiliser un bloc de piles ou un chargeur qui est tombé, a été écrasé, a reçu un choc violent ou a été endommagé de quelque façon que ce soit. Une pile endommagée risque d'exploser. Éliminer immédiatement toute pile endommagée, selon une méthode appropriée.
  - Les piles peuvent exploser en présence d'une source d'allumage, telle qu'une veilleuse. Pour réduire les risques de blessures graves, ne jamais utiliser un appareil sans fil, quel qu'il soit, en présence d'une flamme vive. En explosant, une pile peut projeter des débris et des produits chimiques. En cas d'exposition, rincer immédiatement les parties atteintes avec de l'eau.
  - Pour un résultat optimal, les piles de l'outil doivent être rechargées dans un local où la température est de 43°F à 104°F. Ne pas ranger l'outil à l'extérieur ou dans un véhicule.
  - Si l'outil est utilisé de façon intensive ou sous des températures extrêmes, des fuites de pile peuvent se produire. En cas de contact du liquide avec la peau, rincer immédiatement la partie atteinte avec de l'eau savonneuse. En cas d'éclaboussure dans les yeux, les rincer à l'eau fraîche pendant au moins 10 minutes, puis contacter immédiatement un médecin. Le respect de cette consigne réduira les risques de blessures graves.
-

# RÈGLES DE SÉCURITÉ

---

- Lorsque le bloc-piles n'est pas en usage, le tenir à l'écart d'articles métalliques tels que : les attaches trombones, pièces de monnaie, clés, clous, vis et autres petits objets métalliques risquant d'établir le contact entre les deux bornes. La mise en court-circuit des bornes de piles peut causer des étincelles, des brûlures ou un incendie.
- Toujours retirer le bloc-piles avant d'entreposer le dispositif.
- Une fois la pile est complètement chargé, débrancher le chargeur de la prise secteur et retirer le bloc-piles du chargeur.
- Toujours porter une protection oculaire certifiée conforme à la norme ANSI Z87.1 ainsi qu'un protection auditive. Ne pas suivre cette directive pourrait entraîner des blessures graves, par exemple si l'appareil projetait des objets dans vos yeux.
- Garder le bloc-piles sec, propre et exempt d'huile et de graisse. Toujours utiliser un chiffon propre pour le nettoyage. Ne jamais utiliser de liquide de freins, d'essence, de produits à base de pétrole ou un quelconque solvant pour nettoyer le bloc-piles.

## SOINS APPROPRIÉS POUR LA BATTERIE

### Remisage en hiver

Pour obtenir une vie utile maximum des piles nous recommandons de :

- Retirer le bloc de piles du chargeur dès qu'il est complètement chargé et prêt à l'emploi.

Pour le remisage de piles pendant plus de 30 jours :

- Remiser le bloc de piles dans un local où la température est inférieure à 27°C (80°F) et à l'abri de l'humidité.
- Remiser les blocs de piles 30%-50% chargés.
- Tous les deux mois de remisage, charger normalement le bloc de piles.

## MESURES DE SÉCURITÉ RELATIVES AU CHARGEUR

- Chargez la batterie dans un endroit sec, à l'abri des intempéries. N'exposez pas le chargeur ni la batterie à la pluie. Ne chargez pas la batterie dans un endroit humide. Utilisez le chargeur à des températures se situant entre 6 et 40 °C (43 et 104 °F). Pour réduire les risques de choc électrique, utilisez uniquement le chargeur fourni par le fabricant pour charger la batterie.
- MANIPULEZ LE CORDON DU CHARGEUR AVEC DÉLICATESSE. Ne transportez jamais le chargeur en le tenant par son cordon. Ne débranchez pas le chargeur de la prise de courant ou de la tondeuse en tirant sur le cordon.
- N'utilisez pas le chargeur s'il est endommagé. Remplacez le chargeur ou ses cordons immédiatement.
- Gardez le chargeur et la tondeuse loin de l'eau, des sources de chaleur (radiateurs, chaufferettes, poêles, etc.), des flammes et des produits chimiques.
- S'assurer que le bloc-piles est fixé dans le chargeur avant d'utiliser.
- Pendant la charge, le piles chauffe légèrement. Ceci est normal et n'est pas l'indication d'un problème.
- Ne pas placer le chargeur dans un endroit exposé à des températures extrêmes (chaudes ou froides). Il fonctionne le mieux à température ambiante.
- Quand les bloc-piles deviennent entièrement chargées, débrancher le chargeur de l'alimentation et enlever le tas de bloc-pile.

# RÈGLES DE SÉCURITÉ

---

## **▲ AVERTISSEMENT**

Avant d'effectuer le transport ou l'entretien de l'appareil, retirez toujours la clé et la batterie.

---

## **▲ AVERTISSEMENT ( PROPOSITION 65 )**

Ce produit contient des produits chimiques qui, selon l'état de Californie, sont susceptibles de provoquer un cancer, des malformations congénitales ou d'affecter le système reproductif.

Certaines poussières que produisent le ponçage, sciage, meulage et forage électriques ainsi que les autres activités de construction contiennent des substances chimiques qui sont des cancérrogènes connus susceptibles de causer des anomalies congénitales ou d'autres préjudices à la reproduction. Quelques exemples en sont :

- Plomb des peintures à base de plomb,
- Silice cristalline des briques et du ciment ou d'autres produits de maçonnerie, et
- Arsenic et chrome du bois traité chimiquement.

Le niveau de risque résultant de votre exposition à ces produits varie selon la fréquence à laquelle vous effectuez ce type de travail. Pour réduire votre exposition à ces produits chimiques travaillez dans un endroit bien aéré et utilisez des équipements de sécurité approuvés tels que les masques anti-poussière conçus particulièrement pour le filtrage des particules microscopiques.

---

## **DÉPANNAGE**











Le dépannage exigeant des précautions extrêmes et la connaissance du système, il ne doit être confié qu'à un technicien de service qualifié. En ce qui concerne les réparations, nous recommandons de confier le produit au **CENTRE DE RÉPARATIONS AGRÉÉ** le plus proche. Lors de réparation du produit, utilisez seulement des pièces identiques aux pièces d'origine.

**CONSERVER CES INSTRUCTIONS**

---

# SYMBOLES




Certains des symboles ci-après sont susceptibles de figurer sur cet appareil. Etudiez-les et apprenez leur signification. Une interprétation correcte de ces symboles vous permettra d'utiliser votre appareil dans de meilleures conditions de sécurité et de manière plus adéquate.

SYMBOLE	NOM	DÉSIGNATION/EXPLICATION
v	Volts	Tension
A	Ampères	Intensité
Hz	Hertz	Fréquence(cycles par seconde)
W	Watts	Puissance
min	Minutes	Temps
~	Courant alternatif	Type de courant
— — —	Courant continu	Type ou caractéristique du courant
$n_0$	Vitesse à vide	Vitesse de rotation à vide
	Construction de classe II	Construction à double isolation
/min	Par Minute	Tours,coups,vitesse périphérique, orbites,etc.par minute
	Alerte de sécurité	Précautions touchant à votre sécurité.
	Avertissement concernant l'humidité	N'exposez pas le produit à la pluie ou l'humidité
	Lisez le manuel d'utilisation	Pour réduire le risque de blessure,l'utilisateur doit lire et bien comprendre le manuel d'utilisation de ce produit.
	Protection oculaire	Portez la protection oculaire qui se conforme à ANSI Z87.1 aussi bien que la protection auditive en opérant ce produit.
	Garder les mains et les pieds à l'écart	Garder les mains et les pieds à l'écart de la lame et de la zone de coupe.
	Se tenir loin	Ne pas mettre ses mains ou ses pieds en dessous du châssis de la tondeuse.
	Eviter les pentes	Ne pas utiliser sur des pentes de plus de 15°. Tondre les pentes dans le sens transversal,jamais en montant ou en descendant.
	Ne laisser personne à l'écart	Garder les badauds et animaux domestiques à une distance de 30m(100 pi)minimum
	Ricochet	Faites attention que les passants ne sont pas blessés par les objets étrangers tétés par la tondeuse à gazon.

# SYMBÔLES

---


Certains des symboles ci-dessous peuvent être utilisés sur produit. Veiller à les étudier et à apprendre leur signification. Une interprétation correcte de ces symboles permettra d'utiliser produit plus efficacement et de réduire les risques.

SYMBÔLE	SIGNAL	SIGNIFICATION
	<b>DANGER</b>	Indique une situation extrêmement dangereuse qui, si elle n'est pas évitée, aura pour conséquence des blessures graves voire mortelles.
	<b>AVERTISSEMENT</b>	Indique une situation potentiellement dangereuse qui, si elle n'est pas évitée, peut entraîner des blessures graves voire mortelles.
	<b>ATTENTION</b>	Indique une situation potentiellement dangereuse qui, si elle n'est pas évitée, peut entraîner des blessures légères voire modérées.
	<b>ATTENTION</b>	(Sans symbole d'alerte de sécurité) Indique une situation pouvant entraîner des dommages matériels.

## PROTECTION DE L'ENVIRONNEMENT



Les produits électriques hors d'usage ne doivent pas être jetés avec les ordures ménagères. Recyclez-les par l'intermédiaire des structures disponibles. Contactez les autorités locales pour vous renseigner sur les conditions de recyclage.

 La batterie contient des matières nocives pour vous et pour l'environnement. Elle doit être retirée et mise au rebut de façon séparée à un point de collecte qui accepte les batteries lithium-ion.

---

## AVERTISSEMENT

Pour éviter des blessures graves, n'utilisez pas ce produit avant d'avoir lu entièrement et bien compris toutes les instructions contenues dans le manuel d'utilisation. Si vous ne comprenez pas les avertissements et les instructions du présent manuel, n'utilisez pas ce produit. Appelez le Service à la clientèle 1-800-317-7833 pour obtenir de l'aide.

---

## AVERTISSEMENT



L'utilisation de tout outil motorisé peut causer la projection d'objets en direction du visage et entraîner des lésions oculaires graves. Avant de commencer à utiliser l'outil, portez toujours des lunettes de sécurité étanches ou des lunettes de sécurité à écran latéral ou, si nécessaire, un masque intégral. Nous recommandons d'utiliser un masque à champ de vision élargie si vous portez des lunettes de vue ou des lunettes de sécurité à écran latéral. Utilisez toujours une protection oculaire certifiée conforme à la norme ANSI Z87.1

---

## CONSERVER CES INSTRUCTIONS



# CARACTÉRISTIQUES

Lisez ce manuel d'instructions et toutes les consignes de sécurité avant d'utiliser votre tondeuse à gazon. Comparez l'illustration ci-dessus (fig. 1) à votre tondeuse afin de vous familiariser avec l'emplacement des commandes et réglages. Conservez ce manuel pour consultation future.

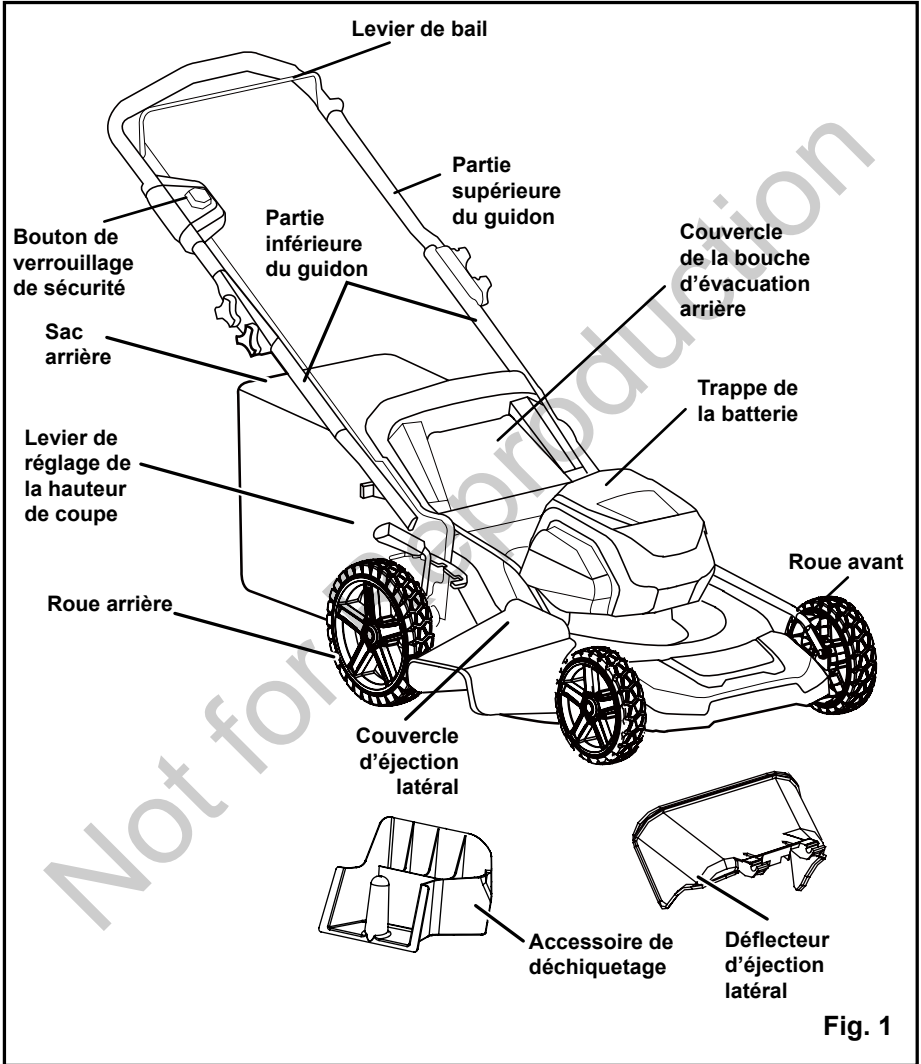
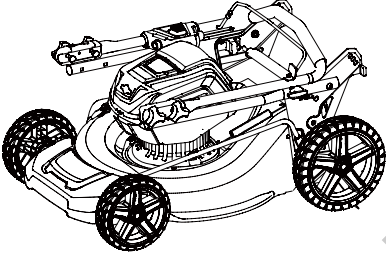
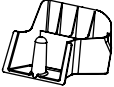

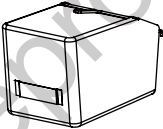





Fig. 1

# ASSEMBLAGE

NOM DES PIÈCES	FIGURE	NO. DE PIECE
Tondeuse		1
Accessoire de déchetage		1
Couvercle d'éjection latéral		1
Sac arrière		1
Bouton du guidon		4
Boulon du guidon		4
Manuel d'utilisation		1

# ASSEMBLAGE

---

## DÉBALLAGE

- Retirez prudemment le produit et les accessoires de la boîte. Assurez-vous que tous les articles énumérés dans la liste de colisage sont inclus.
- Assurez-vous que le produit n'a pas subi des dommages ou de bris pendant le transport.
- Ne jetez pas l'emballage avant d'avoir inspecté le produit et avant d'avoir vérifié s'il fonctionne correctement.
- Si des pièces sont manquantes ou endommagées, veuillez appeler au 1-800-317-7833 pour obtenir de l'aide.

---

## **▲ AVERTISSEMENT**

Si une quelconque pièce ou partie de cette tondeuse est manquante ou endommagée, ne l'utilisez pas avant d'avoir changé la pièce. L'utilisation d'un produit ayant des pièces manquantes ou abîmées peut entraîner de graves blessures.

---

---

## **▲ AVERTISSEMENT**

Ne tentez pas de modifier cet appareil ou de fabriquer des accessoires non recommandés pour l'utilisation avec ce produit. Toute altération ou modification de ce type constitue un mésusage peut entraîner des dangers susceptibles de provoquer des blessures graves.

---

---

## **▲ AVERTISSEMENT**

N'insérez pas la batterie avant d'avoir terminé l'assemblage et d'être prêt à tondre. Vous pourriez risquer une mise en marche accidentelle pouvant entraîner de graves blessures.

---

---

## **▲ AVERTISSEMENT**

Pour éviter toute mise en route accidentelle qui pourrait entraîner de graves blessures, retirez toujours le pack batterie du produit lorsque vous-y montez des accessoires.

---

---

## **▲ AVERTISSEMENT**

Ne faites jamais fonctionner la tondeuse sans que ses dispositifs de sécurité soient en place et opérationnels. N'utilisez jamais de tondeuse dont les éléments de sécurité sont endommagés. L'utilisation d'une tondeuse dont des pièces sont manquantes ou endommagées peut entraîner de graves blessures.

---

# ASSEMBLAGE

## DEPLIAGE ET REGLAGE DE LA POIGNEE INFERIEURE (Voir figure 2)

### ⚠ AVERTISSEMENT

Pliage ou dépliage incorrect de la poignée peut endommager les câbles, occasionnant une condition d'exploitation dangereuse .

- Ne pas endommager les câbles lors pliant ou dépliant la poignée.
- Si le câble est endommagé, veuillez contacter un centre de réparations agréé.

- Tirez et tournez les boutons de poignée (1) 90° sur les deux côtés à desserrer les poignées inférieures (2) sur les deux côtés.
- Déplacez les poignées inférieures vers la position de fonctionnement. Vous pouvez monter ou baisser la poignée à une position qui vous convient. Il y a 3 positions (3) pour vous à choisir. Déclenchez les boutons de poignée à verrouiller la poignée inférieure dans la position.

*Note: Ensure both sides are set at the same position for proper assembly.*

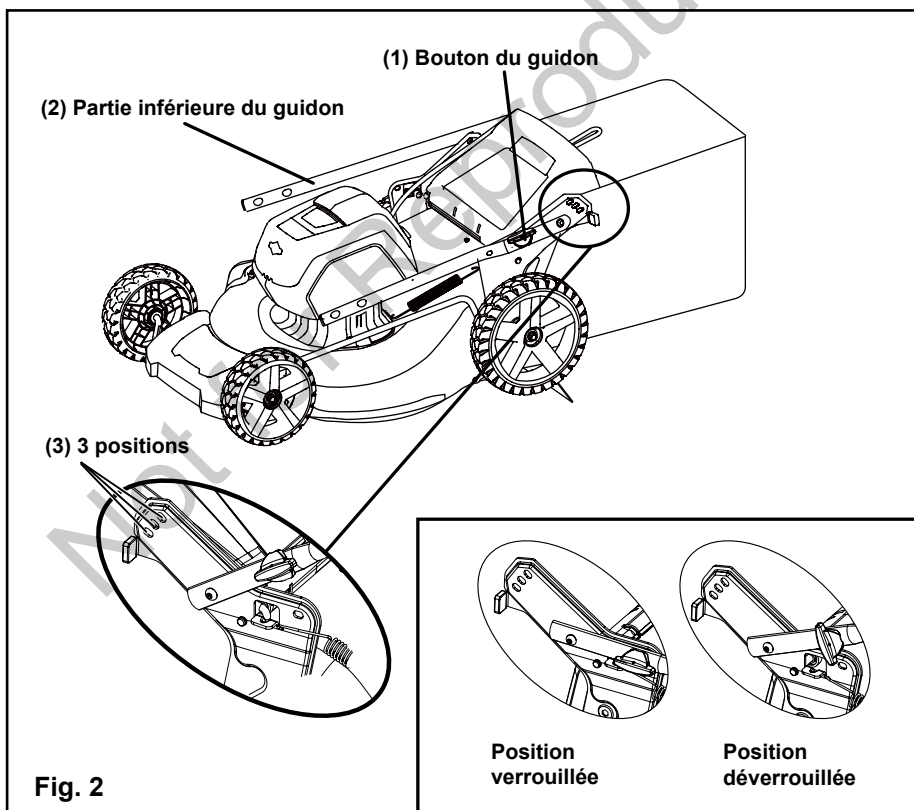
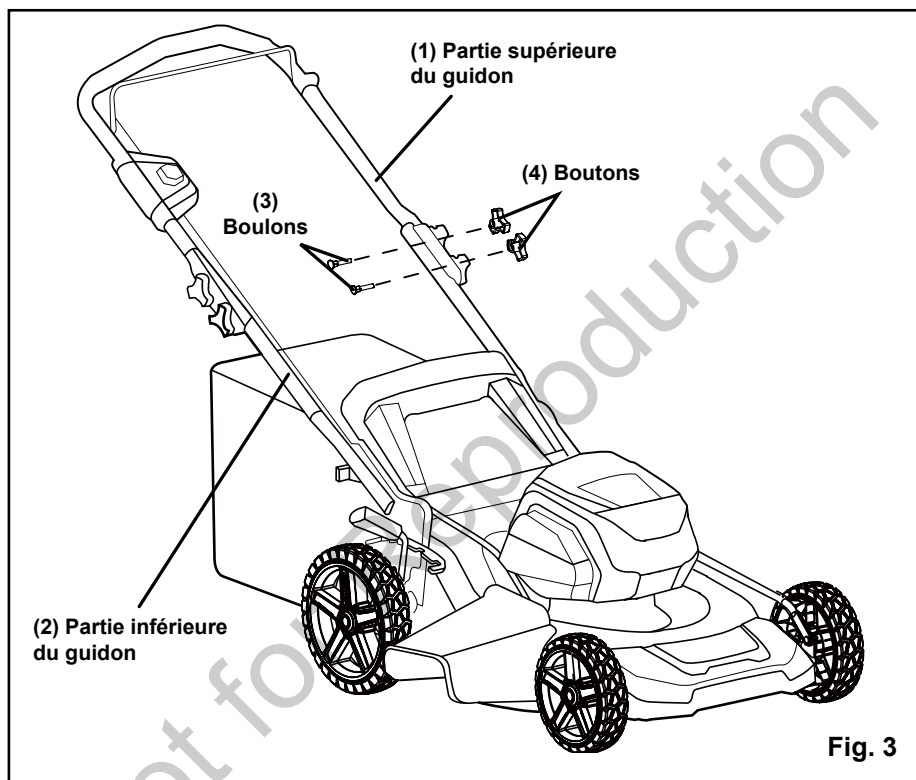


Fig. 2

# ASSEMBLAGE

## INSTALLATION DE LA POIGNEE SUPERIEURE (Voir figure 3)

- Alignez les trous de montage sur la poignée supérieure (1) et la poignée inférieure (2). Insérez les boulons mécaniques (3) et employez les boutons (4) afin de les serrer. Répétez l'opération sur l'autre côté.

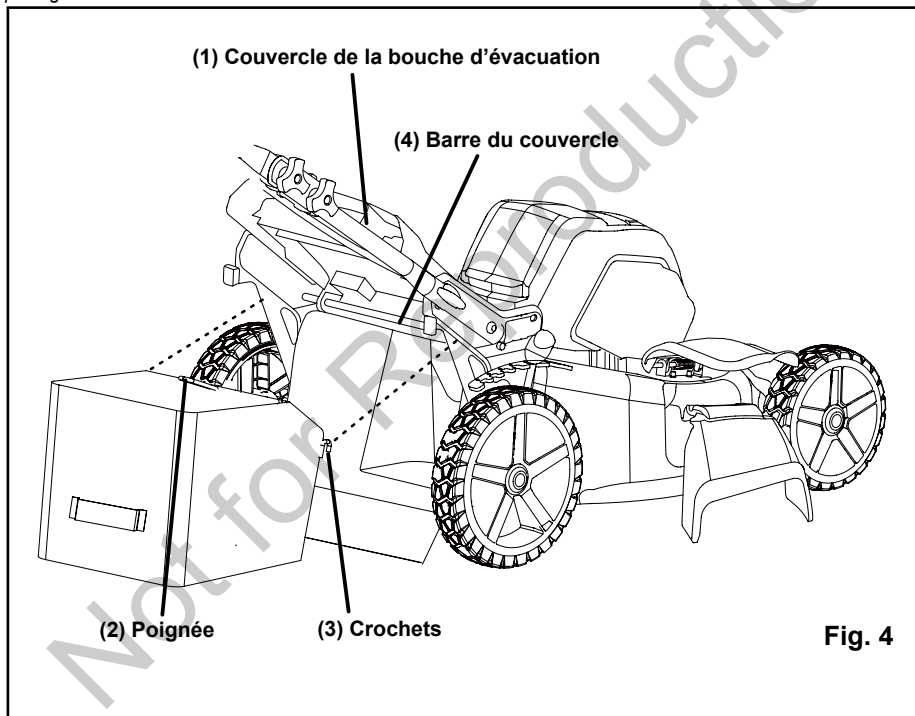


# ASSEMBLAGE

## POSE DU SAC ARRIÈRE (Voir figure 4)

- Soulevez le couvercle de la bouche d'évacuation (1).
- Levez le collecteur d'herbe par sa poignée (2) et mettez-le au-dessous du couvercle de la bouche d'évacuation de façon à ce que les crochets (3) sur le collecteur d'herbe s'appuient sur la barre du couvercle (4).
- Relâchez le couvercle de la bouche d'évacuation. Si l'installation est correcte, les crochets sur le collecteur d'herbe passeront à travers les ouvertures sur le couvercle de la bouche d'évacuation.

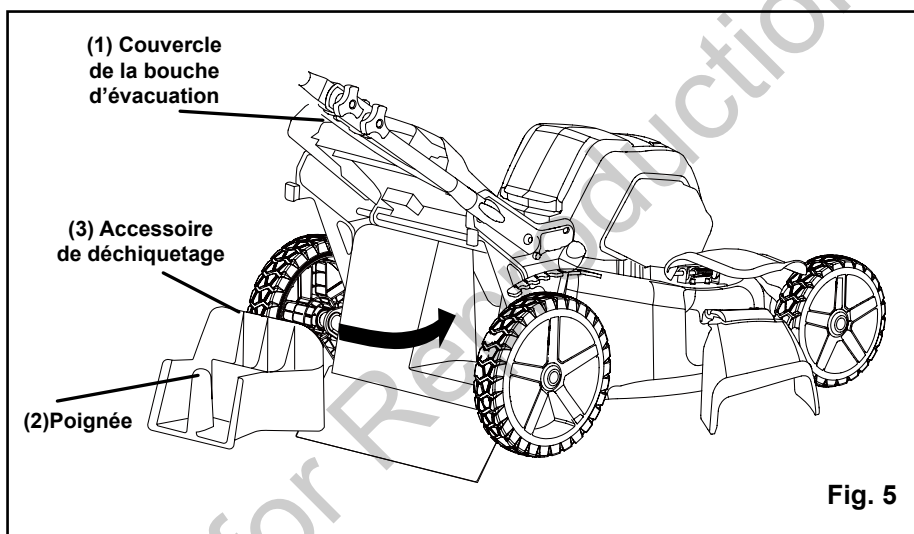
*NOTE: Lors l'usage du sac à herbe, n'installez pas soit le déflecteur de décharge à côté soit le bouchon de paillage.*



# ASSEMBLAGE

## PO SE DE L'ACCESSOIRE DE DÉCHIQUETAGE (Voir figure 5)

- Pour enlever l'accessoire de déchiquetage, soulevez le couvercle de la bouche d'évacuation (1).
- Saisissez l'accessoire de déchiquetage par la poignée (2) et tirez sur la poignée.
- L'accessoire de déchiquetage (3) est inséré à angle; il faut donc exercer une certaine force pour l'enlever.
- Vous devez enlever l'accessoire de déchiquetage pour pouvoir utiliser le sac arrière.
- Réinstallez le sac arrière si vous enlevez l'accessoire de déchiquetage.



# ASSEMBLAGE

## INSTALLATION DU DÉFLECTEUR D'ÉJECTION LATÉRALE (See Figure 6)

- Levez le couvercle d'éjection latérale (1).
- Alignez les rainures (2) sur le déflecteur (3) avec les goupilles (4) sur le côté intérieur du couvercle (1).
- Abaissez le déflecteur jusqu'à ce que les crochets sur le châssis de la tondeuse soient bien insérés dans les ouvertures du déflecteur.
- Relâchez le déflecteur et le couvercle.

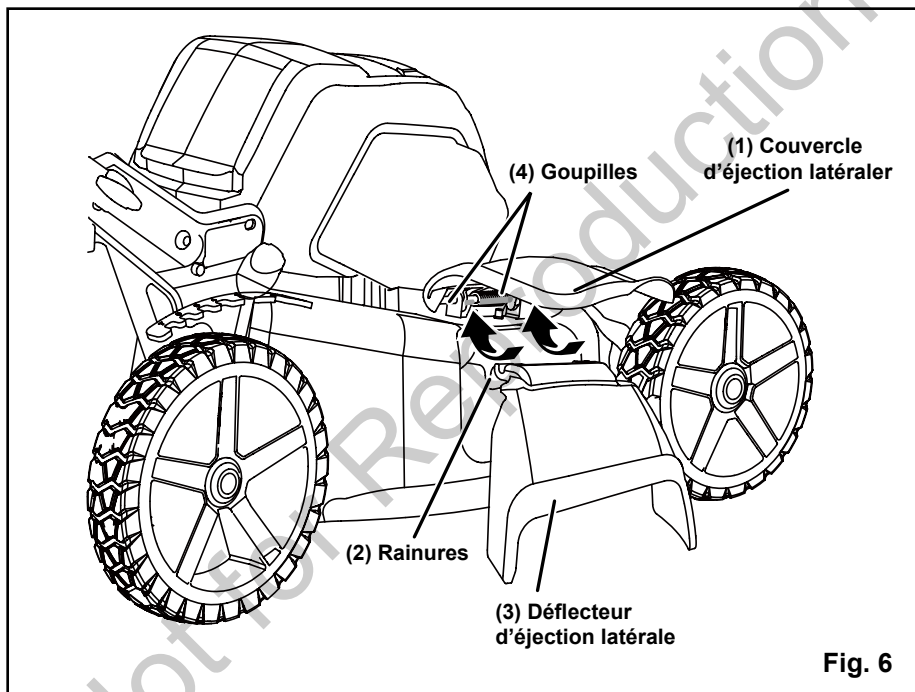


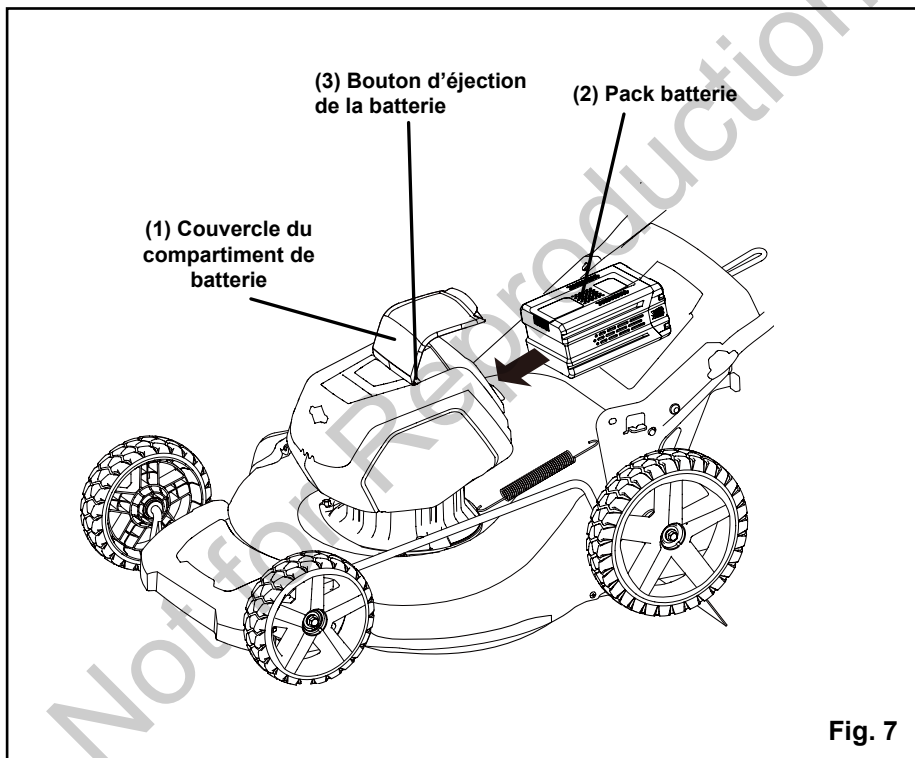
Fig. 6



# ASSEMBLAGE

## POUR INSTALLER LA BATTERIE (Voir figure 7)

- Soulevez le couvercle du compartiment de batterie (1) et gardez-le ouvert.
- Alignez la batterie (2) dans le support prévu à cet effet à l'intérieur de la tondeuse.
- Veillez à ce que le bouton d'éjection de la batterie (3) soit bien en place et que la batterie soit insérée correctement avant de mettre la tondeuse en marche.
- Si l'appareil n'est pas utilisé dans l'immédiat, retirez la batterie.
- Refermez le couvercle.



## POUR RETIRER LA BATTERIE (Voir figure 7)

- Relâchez le levier d'alimentation pour arrêter la tondeuse.
- Ouvrez le couvercle de la batterie.
- Appuyez sur le bouton d'éjection de la batterie (3) sur la tondeuse. Ceci éjectera légèrement la batterie hors de la tondeuse.
- Retirez la batterie de la tondeuse.

# UTILISATION

---

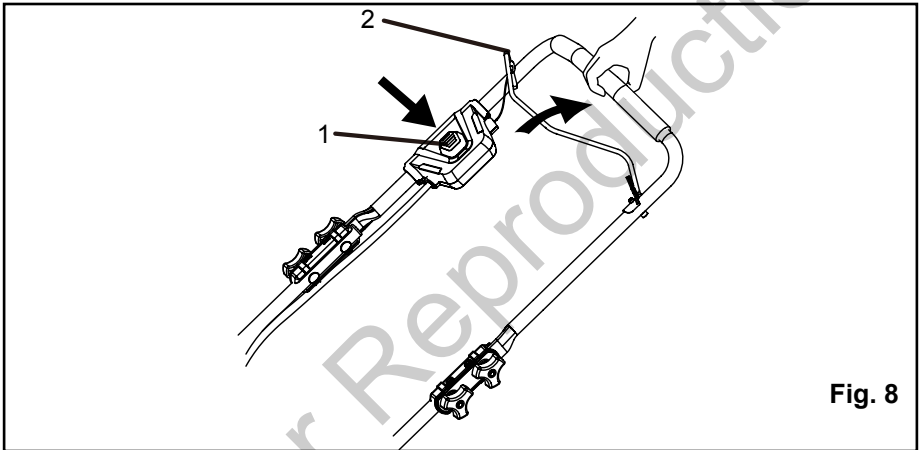
## DÉMARRAGE/ARRÊT DE LA TONDEUSE (Voir figure 8)

### Pour faire démarrer le moteur :

- Soulevez le couvercle du compartiment de la batterie.
- Installez la batterie.
- Appuyez et gardez enfoncé le bouton de verrouillage (1).
- Tirez le levier d'alimentation (2) vers le haut (vers la poignée principale) pour faire démarrer le moteur, puis relâchez le bouton

### Pour arrêter le moteur :

- Relâchez le levier d'alimentation.



### Démarrage en douceur

Cette tondeuse à batterie LI-ION est équipée d'une fonction de « démarrage en douceur ». Lorsque vous démarrez la tondeuse, celle-ci atteint la vitesse la plus élevée sous environ 3 secondes. Si la tondeuse ne démarre pas : Retirez la batterie puis vérifiez le châssis afin de s'assurer qu'aucun objet n'obstrue les lames, assurez-vous que les lames peuvent tourner librement en les faisant tourner à la main. Même une petite quantité d'herbe peut empêcher le « démarrage en douceur ».

---

## ⚠ ATTENTION

N'essayez pas de dépasser l'opération du levier ou du bouton de marche .

---

---

## ⚠ AVERTISSEMENT

Une tondeuse peut projeter des objets en direction de vos yeux et vous blesser gravement. Pendant l'utilisation, le réglage ou la réparation d'une tondeuse, portez toujours des lunettes protectrices.

---

**EXAMINEZ LA ZONE DE TRAVAIL.** Enlevez les pierres, les morceaux de bois et de fil métallique, les os, et tout autre objet qui pourrait être projeté par les lames rotatives de la tondeuse.

---

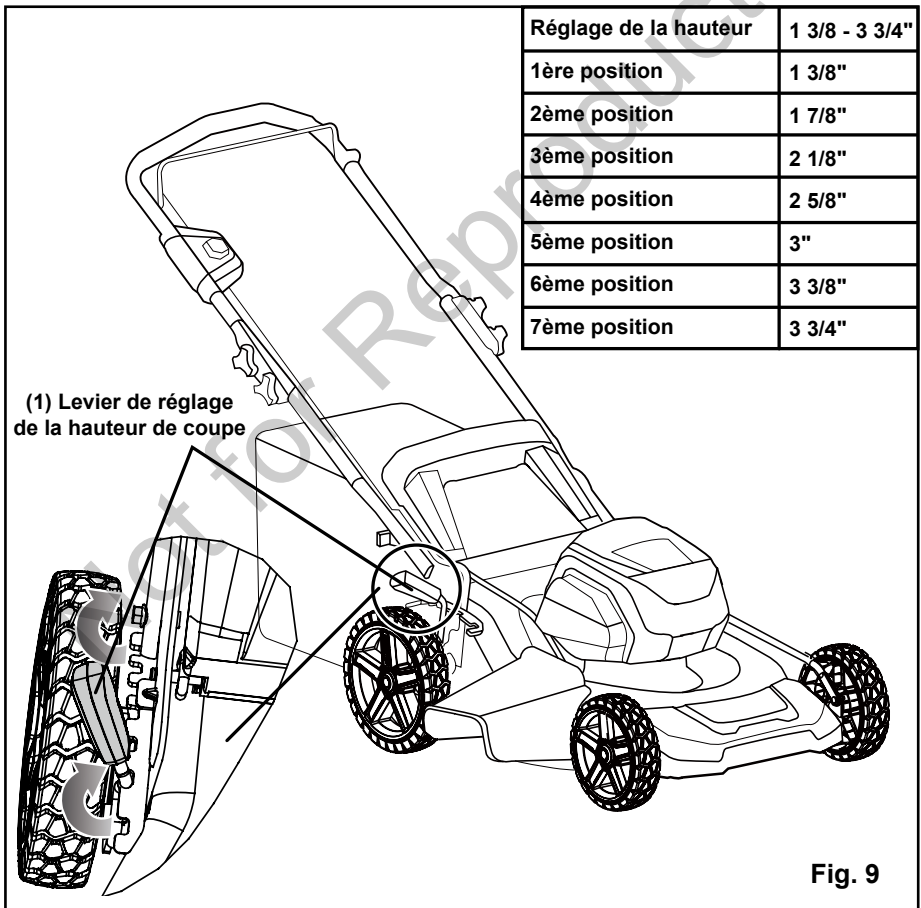
# UTILISATION

## RÉGLAGE DE LA HAUTEUR DE COUPE (Voir figure 9)

Pour l'expédition, les roues de la tondeuse sont réglées à la position de coupe au ras du sol. Avant d'utiliser la tondeuse pour la première fois, réglez la position de coupe à la hauteur la mieux adaptée à votre pelouse. Une pelouse moyenne devrait avoir de 1 1/2 à 2 po (3,8 à 5 cm) pendant les mois de temps froid et entre 2 et 3 1/2 po (5 à 8,3 cm) pendant les mois de temps chaud.

### Pour régler la hauteur de la lame :

- Pour augmenter la hauteur de la lame, attrapez le levier de réglage de la hauteur et poussez-le vers l'arrière de la tondeuse.
- Pour diminuer la hauteur de la lame, attrapez le levier de réglage de la hauteur et poussez-le vers l'avant de la tondeuse



# UTILISATION

INDICATEUR DE PENTE (Voir figure 10)

## ⚠ A V E R T I S S E M E N T

Les pentes sont souvent à l'origine des accidents survenus après que l'utilisateur ait glissé ou soit tombé; ce genre d'accident peut entraîner des blessures graves. Faites preuve d'une grande prudence lorsque vous utilisez la tondeuse dans une pente. Si vous vous sentez mal à l'aise sur la pente, n'utilisez pas la tondeuse. Par mesure de sécurité, servez-vous de l'indicateur de pente inclus dans ce guide afin de mesurer la pente avant de tondre une zone en pente ou vallonnée.

- Tondez en vous déplaçant en travers de la pente, jamais de haut en bas ni de bas en haut. Soyez extrêmement prudent lorsque vous changez de direction dans une pente.
- Soyez attentif à la présence de trous, d'ornières, de pierres, d'objets cachés ou de bosses qui pourraient vous faire glisser ou trébucher. Les herbes hautes peuvent cacher les obstacles.
- Maintenez toujours votre équilibre. Si vous avez l'impression de perdre l'équilibre, relâchez immédiatement le levier de commande du moteur/de la lame; la lame cessera de tourner en trois secondes.
- Ne tondez pas près d'un dénivellement prononcé, d'un fossé ou du rebord d'un talus; vous pourriez perdre pied ou perdre l'équilibre.
- Ne tondez pas dans une pente inclinée à plus de 15°, tel qu'il est montré sur l'indicateur de pente.
- Ne tondez pas du gazon mouillé ou humide. Vous seriez en équilibre instable et pourriez glisser.

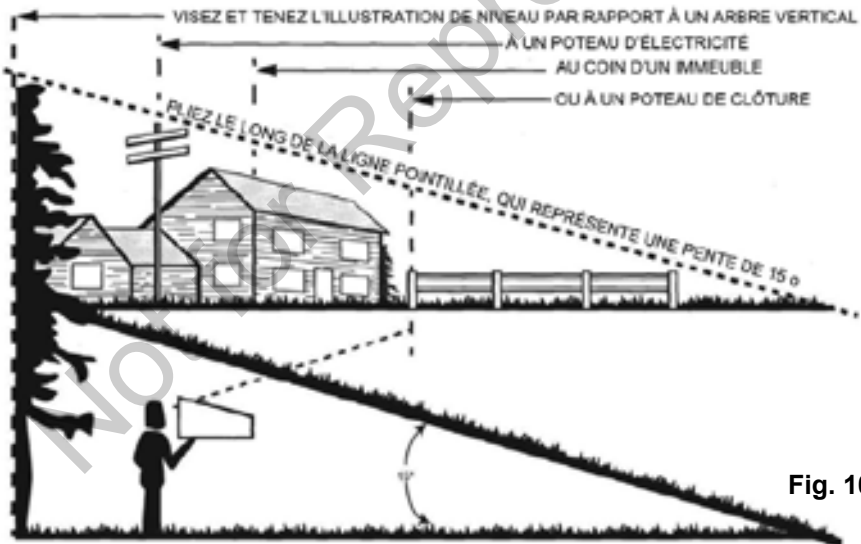


Fig. 10

## ⚠ A V E R T I S S E M E N T

ne tondez pas dans une pente dont l'inclinaison est supérieure à 15° ou qui monte d'environ 2 1/2 pi (0,75 m) aux 10 pi (3 m). Tondez en vous déplaçant en travers de la pente, jamais de haut en bas ni de bas en haut.

# UTILISATION

---

## CONSEILS SUR LA TONTE DU GAZON

---

**NOTE :** la tondeuse offrira un meilleur rendement si la lame est bien affûtée, particulièrement lorsque le gazon est long. Examinez la lame et affûtez-la au moins une fois l'an de la façon décrite dans la section Entretien.

- Assurez-vous qu'il n'y a pas de pierres, de branches, de câbles ou d'autres objets sur le gazon qui pourraient endommager la lame ou le moteur. La tondeuse pourrait éjecter ces objets dans n'importe quelle direction et blesser gravement l'utilisateur et d'autres personnes. Pour réduire le risque de choc électrique, n'exposez pas la tondeuse à l'eau et ne l'utilisez pas si le sol est mouillé ou humide.
- Ne tondez jamais en décrivant des cercles; effectuez des allers-retours en ligne droite sur le gazon.
- Lorsque le gazon est dense, ralentissez pour que la tondeuse coupe mieux et éjecte les débris de tonte plus efficacement.
- Pour obtenir une pelouse saine, coupez toujours un maximum de 1/3 de la longueur totale de l'herbe. En général, l'herbe devrait mesurer entre 1 1/2 à 2 po (3,8 à 5 cm) durant les mois frais, et entre 2 po à 3 1/4 po (5 cm à 8,3 cm) durant les mois chauds. En automne, tondez le gazon s'il continue à pousser.

## CONSEILS SUR LE DÉCHIQUETAGE

---

**NOTE :** *INSPECTEZ TOUJOURS LA ZONE À TONDRE ET ENLEVEZ LES PIERRES, LES BRANCHES, LES CÂBLES, LES OS ET AUTRES DÉBRIS QUI POURRAIENT ÊTRE ÉJECTÉS PAR LA LAME.*

- Lorsque vous traversez une zone recouverte de gravier, relâchez le levier de commande de la lame/du moteur, car la lame pourrait projeter du gravier.
- Pour tondre une zone où l'herbe est longue ou en friche, réglez la tondeuse à la hauteur de coupe la plus élevée
- Pour un déchiquetage efficace, ne tondez pas le gazon s'il est mouillé, car les brindilles auront tendance à coller sous le plateau de tonte et à nuire au déchiquetage. Il peut être nécessaire de tondre plus court le gazon épais ou nouvellement semé. Ajustez votre vitesse à l'état du gazon. Si vous avez laissé le gazon pousser à une hauteur supérieure à 4 po (10 cm), tondez-le deux fois afin de réduire le gazon à une hauteur maximale de 3 1/4 po (8,3 cm).
- Avancez à bonne vitesse et à un rythme régulier. Faites en sorte que les rangées de tonte sechevauchent. Ne laissez pas le gazon trop pousser. Si le gazon a trop poussé, commencez à le tondre à la position la plus élevée, pour passer par étapes à la hauteur de coupe voulue.

---

## **▲ AVERTISSEMENT**

si la tondeuse frappe un objet, arrêtez le moteur et enlevez la batterie. Vérifiez bien si la tondeuse est endommagée et, s'il y a lieu, réparez les pièces endommagées avant d'utiliser de nouveau la tondeuse. Si la tondeuse vibre de façon excessive pendant son utilisation, c'est qu'elle a été endommagée; faites-la inspecter et réparer sans délai.

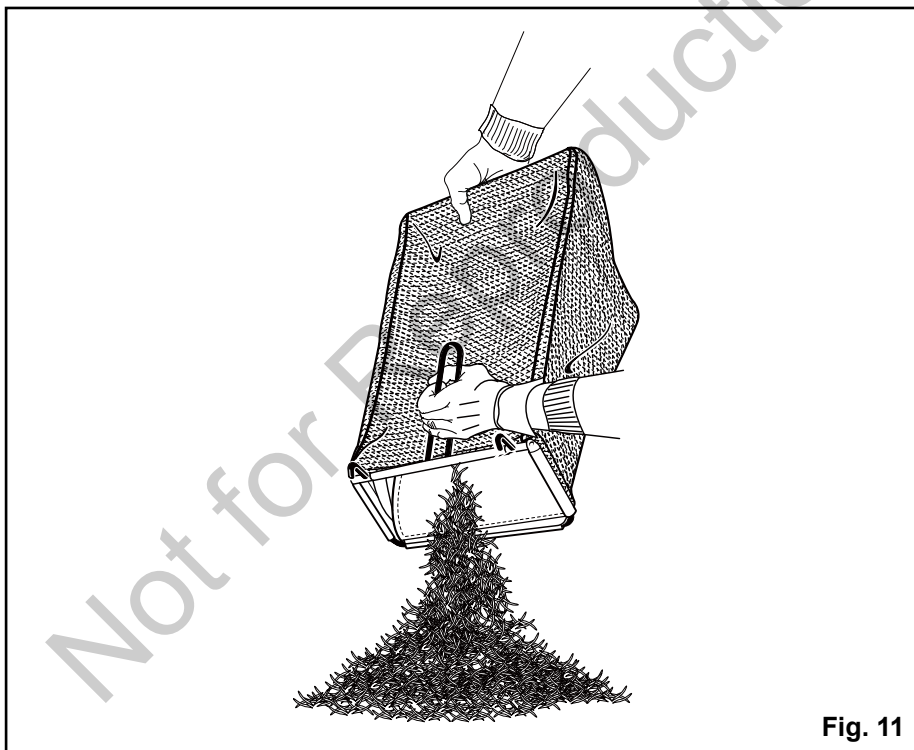
---

# UTILISATION

---

## **VIDAGE DU SAC ARRIÈRE** (*Voir figure 11*)

- Arrêtez la tondeuse, laissez les lames s'arrêter complètement, et retirez la batterie.
- Soulevez le couvercle de la bouche d'évacuation.
- Soulevez le sac arrière par sa poignée pour le retirer de la tondeuse.
- Videz l'herbe du bac.
- Soulevez le couvercle de la bouche d'évacuation et remettez le sac arrière en place comme décrit plus haut dans ce manuel.



# ENTRETIEN DE LA BATTERIE ET DU CHARGEUR

## PROCÉDURE DE CHARGE

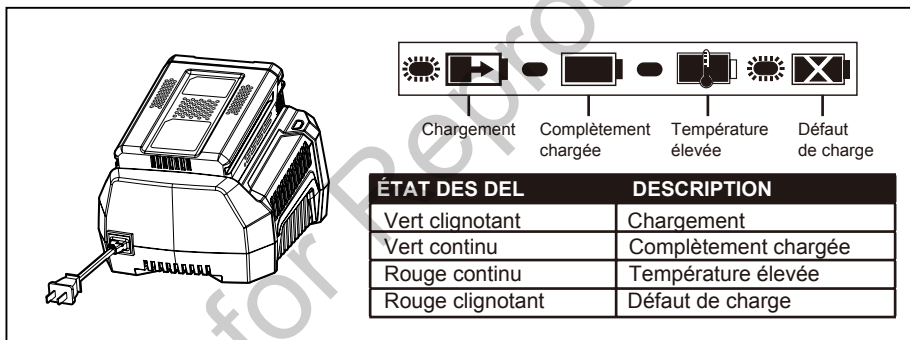
**NOTE :** La batterie n'est pas livrée totalement chargée. Il est recommandé de la recharger totalement avant utilisation pour lui assurer une autonomie maximale. Cette batterie lithium-ion est exempte d'effet mémoire et peut être rechargée à tout moment.

### Chargement à faible tension :

Si la batterie a été stockée à faible charge ou sans charge pour une longue durée de temps, le chargeur entre dans le mode de reprise qui prend 20 heures pour une charge complète de la batterie. Ceci augmente la vie de la batterie. Une fois elle est chargée complètement, la charge prochaine reprend le chargement standard.

1. Branchez le chargeur dans une prise secteur.
2. Insérez le pack batterie dans le chargeur.

Ce chargeur est équipé d'un dispositif de diagnostique. Les Voyants LED de Charge s'allumeront dans un ordre particulier pour vous renseigner sur l'état de la batterie. Leur comportement est le suivant :



### Indication de défectuosité :

Lorsque la pile est insérée dans le chargeur et que les DEL clignotent en rouge, retirez la pile du chargeur pendant une minute puis insérez-la de nouveau. Si les DEL clignotent en vert, cela signifie que la pile est en cours de chargement normal. Si les DEL clignotent encore en rouge, retirez la pile et débranchez le chargeur à nouveau. Attendez une minute puis rebranchez le chargeur et réinsérez la pile. Si les DEL clignotent en vert, cela signifie que la pile est en cours de chargement normal. Si les DEL clignotent toujours en rouge, la pile est défectueuse et doit être remplacée.

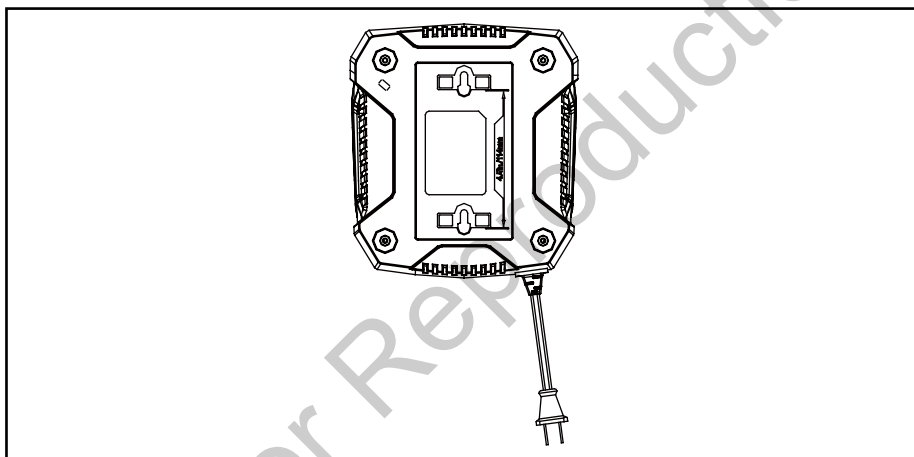
# ENTRETIEN DE LA BATTERIE ET DU CHARGEUR

---

## MONTAGE DU CHARGEUR

1. Ce chargeur peut être installé au mur au moyen de #8 vis (non incluses).
2. Repérez l'endroit où vous désirez effectuer le montage mural du chargeur.
3. Si l'endroit choisi comporte des montants de bois, utilisez 2 vis à bois (non incluses).
4. Percez deux trous dans le centre, avec une distance de 11,43 cm entre chaque trou et assurez-vous qu'ils sont alignés verticalement.
5. Si la pose se fait sur des cloisons sèches, utilisez des ancrages pour le mur (non inclus) et des vis pour maintenir solidement en place le chargeur.

*NOTE: Si vous prévoyez ne pas utiliser la pile et le chargeur durant une longue période, débranchez le cordon d'alimentation.*





# ENTRETIEN

## REMP LACEMENT DE LA LAME (Voir figure 12 et 13)

### ⚠ AVERTISSEMENT

Avant de faire l'entretien des lames, protégez-vous toujours les mains en portant des gants épais ou en enveloppant les lames avec des chiffons ou autres matériaux épais. Enlevez TOUJOURS la batterie en entretenant ou en transportant la tondeuse.

- ENLEVEZ LA BATTERIE.
- Enfilez des gants de cuir rembourrés. Coincez un bloc de bois entre la lame et le plateau de tonte pour éviter que la lame tourne pendant que vous enlevez le boulon (1).
- À l'aide d'une clé ordinaire ou à douilles de 27 mm, desserrez le boulon (1) et retirez la lame (2). Faites tourner le boulon **DANS LE SENS INVERSE DES AIGUILLES D'UNE MONTRE** pour le desserrer et **DANS LE SENS DES AIGUILLES D'UNE MONTRE** pour le serrer.
- Enlevez le boulon (1) et la lame (2).
- Pour réassembler le tout, positionnez la lame et les arêtes coupantes vers le sol. Placez le boulon tel qu'il est illustré ci-dessous. À l'aide d'une clé ordinaire ou à douilles de 27 mm, serrez le boulon en le tournant dans le **DANS LE SENS DES AIGUILLES D'UNE MONTRE** afin de bien fixer la lame en place.

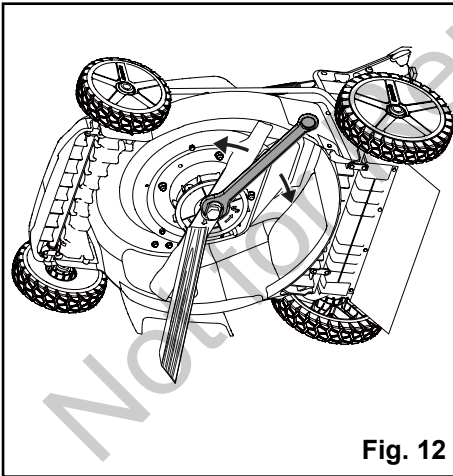


Fig. 12

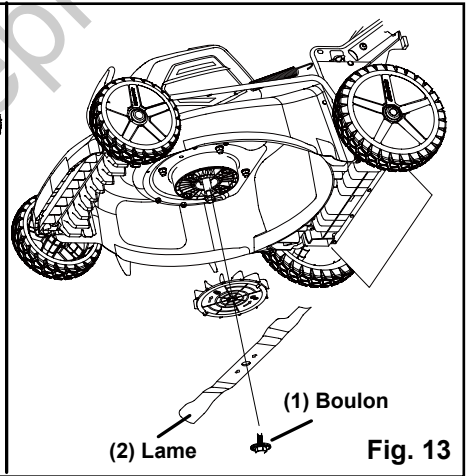


Fig. 13

**NOTE :** veillez à replacer les pièces en suivant exactement l'ordre inverse de celui dans lequel elles ont été enlevées. Lorsque vous installez la lame, assurez-vous de la positionner avec les extrémités courbées pointant vers le plateau de tonte, et non vers le sol. Consultez la vue éclatée à la page 35 de ce guide.

# ENTRETIEN

---

## NETTOYAGE DE LA TONDEUSE

---

### **▲ AVERTISSEMENT**

Pour réduire le risque de choc électrique, n'exposez pas la tondeuse à l'eau. Le dessous du plateau de tonte devrait être nettoyé après chaque utilisation, car de l'herbe, des feuilles, de la terre et d'autres débris s'y accumulent, causant ainsi de la rouille et de la corrosion.

---

Enlevez toute accumulation d'herbe et de feuilles sur le dessus et autour du couvercle du moteur (n'utilisez pas d'eau à cette fin). À l'occasion, nettoyez la tondeuse à l'aide d'un linge sec. Si des débris s'accumulent sous le plateau de tonte, arrêtez le moteur et débranchez-le de la source d'alimentation. Renversez la tondeuse vers l'avant ou sur le côté, puis enlevez les débris à l'aide d'un outil approprié.

### **REMISAGE**

Suivez ces étapes pour préparer la tondeuse en vue du remisage :

- Nettoyez la tondeuse selon les instructions de la section précédente.
- Inspectez et remplacez/affûtez la lame, au besoin. Consultez la section Entretien.
- Rangez la tondeuse dans un endroit sec et propre. Ne la rangez pas près de matières corrosives telles que l'engrais et le sel gemme.
- Rangez la tondeuse à l'intérieur, dans un endroit frais et sec, hors de la portée des enfants. Ne couvrez pas la tondeuse avec une bâche de plastique rigide. En emprisonnant l'humidité autour de la tondeuse, les bâches de plastique favorisent la rouille et la corrosion.
- Enlevez la batterie et rangez-la dans un endroit sec et frais, si possible. Chargez la batterie toutes les deux mois lorsque vous ne l'utilisez pas, afin d'en prolonger la durée de vie.
- Retirez la batterie et entreposez-la dans un endroit sûr, hors de la portée des enfants. Il n'est pas nécessaire de retirer la batterie avant de remiser la tondeuse.

### **▲ AVERTISSEMENT**

Il faut charger la batterie chaque trois mois lors en stockage afin de maintenir sa capacité maximale.

---

### **RANGEMENT VERTICAL (Voir figure 14)**

- Retirez la batterie de la tondeuse.
  - Retirez le bac à herbe.
  - Tournez les poignées vers la position Déverrouillée.
  - Abaissez la poignée inférieure et tournez les commandes de la poignée vers la position de verrouillage.
  - Soulevez la tondeuse par son extrémité avant afin de la placer en position verticale.
- 

### **▲ AVERTISSEMENT**

Retirez toujours la batterie dans la tondeuse avant de ranger celle-ci en position verticale.

---

---

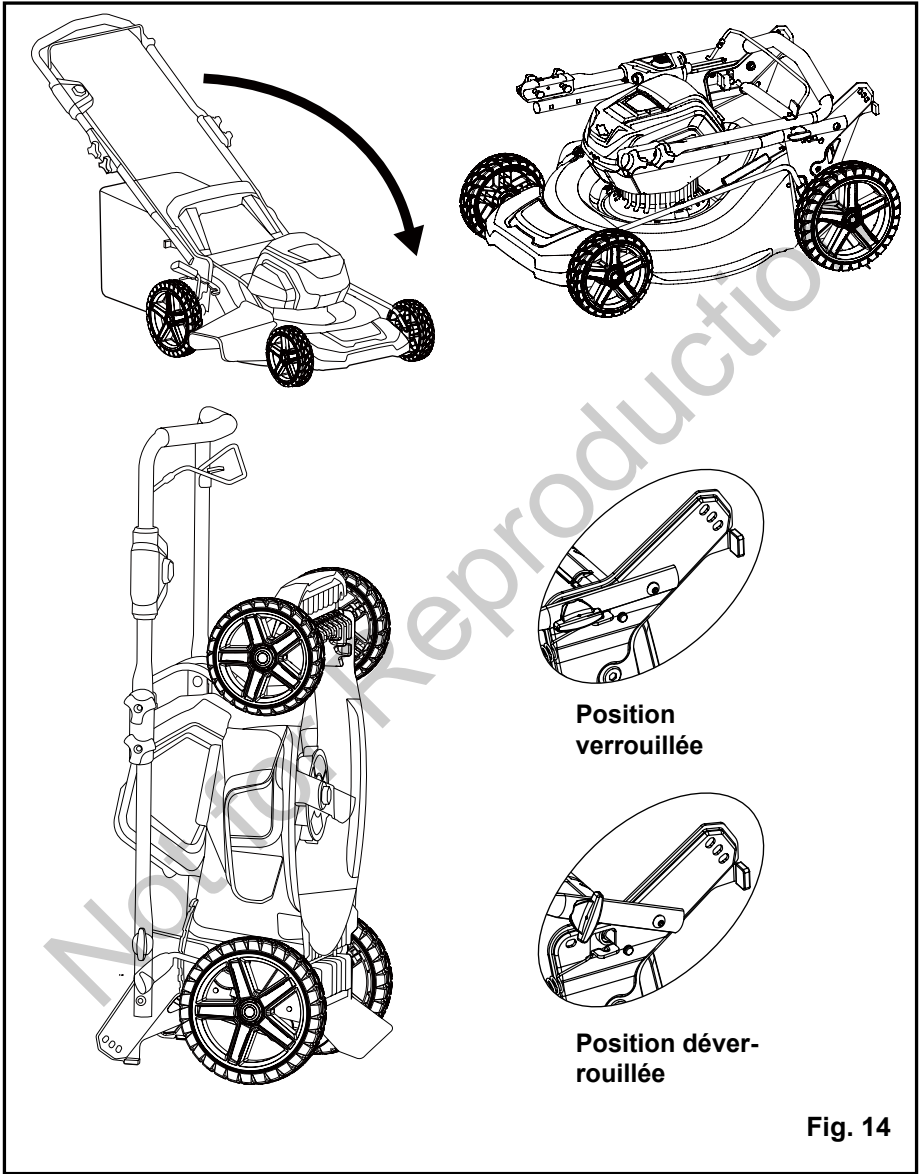


Fig. 14

# RÉPARATION

---

- Pour l'entretien de la tondeuse, utilisez uniquement des pièces de rechange disponibles auprès du fabricant. Pour obtenir des pièces de rechange, appelez le service d'assistance téléphonique sans frais au 1-800-317-7833. L'utilisation de pièces non conformes aux caractéristiques d'origine de la tondeuse peut nuire au rendement de l'appareil et compromettre la sécurité des utilisateurs.
- Avant de nettoyer, réparer ou vérifier la tondeuse, assurez-vous que les lames et toutes les pièces mobiles sont immobilisées. Retirez la batterie lorsque vous apportez un ajustement à la tondeuse ou devez soulever l'une des quatre roues.
- Suivez les instructions pour la lubrification et le remplacement des accessoires.
- Gardez le guidon propre et sec, et exempt de graisse ou d'huile.
- Pour prévenir les risques d'incendie, ne laissez pas de feuilles, d'herbe ou de débris s'accumuler dans le moteur.
- Vérifiez régulièrement si les écrous de montage des lames et du moteur sont bien serrés. Vérifiez si les lames présentent des dommages (par exemple, si elles sont courbées, fendues ou usées).
- Pour obtenir un rendement maximum et sécuritaire de votre tondeuse, entretenez-la avec soin. Gardez ses lames toujours propres et bien affûtées. Les lames de la tondeuse sont tranchantes et peuvent vous couper. Au moment de l'entretien, enveloppez les lames ou portez des gants, faites preuve d'un extrême prudence.
- Gardez tous les écrous, boulons et vis bien serrés pour vous assurer que la tondeuse est dans un état de marche sécuritaire.
- N'éliminez pas les dispositifs de sûreté de la tondeuse. Vérifiez régulièrement s'ils fonctionnent bien.
- Si la tondeuse frappe un objet, arrêtez le moteur. Vérifiez bien si la tondeuse est endommagée et, s'il y a lieu, réparez les pièces endommagées avant d'utiliser de nouveau la tondeuse.
- Comme les composantes du sac à herbe, du couvercle d'éjection et de l'écran protecteur peuvent s'user et être endommagées, des pièces mobiles pourraient être exposées et des objets pourraient être projetés par la tondeuse. Par mesure de sécurité, vérifiez souvent les composantes et remplacez immédiatement toute pièce qui semble usée, fendue ou brisée. Utilisez uniquement des pièces d'origine provenant du fabricant et identifiées dans le présent guide.
- Quand la tondeuse ne sert pas, rangez-la à l'intérieur, dans un endroit sec et hors de la portée des enfants.

---

## **▲ A V E R T I S S E M E N T**

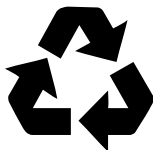
Retirez toujours la batterie avant de réparer ou de transporter la tondeuse.

---

# MISE AU REBUT DE LA BATTERIE SANS DANGER POUR L'ENVIRONNEMENT

---

La batterie de la tondeuse comprend du lithium-ion, une substance toxique.



---

## **▲ AVERTISSEMENT**

toutes les substances toxiques doivent être éliminées d'une manière permettant d'éviter la contamination de l'environnement. Avant d'éliminer les batteries au lithium-ion endommagées ou usées, communiquez avec le service d'élimination des déchets ou l'agence pour la protection de l'environnement de votre région afin d'obtenir des renseignements et des instructions précises. Apportez les batteries à un centre local de recyclage ou d'élimination où le traitement des batteries est autorisé. Si la batterie est fendue ou brisée, ne la chargez pas et ne l'utilisez pas, et ce, qu'elle présente une fuite ou non. Éliminez-la et remplacez-la par une nouvelle batterie. **NE TENTEZ PAS DE RÉPARER LA BATTERIE!!**

---

Suivez les consignes suivantes pour éviter les blessures, les risques d'incendie, d'explosion et de choc électrique, ainsi que les dommages causés à l'environnement:

- Couvrez les bornes de la batterie à l'aide d'un ruban adhésif très résistant.
- Ne tentez pas de retirer ou de détruire les composants de la batterie.
- Ne tentez pas d'ouvrir la batterie.
- Les électrolytes rejetés lors d'une fuite sont corrosifs et toxiques. Évitez tout contact de la solution avec les yeux et la peau et ne l'avalez pas.
- Ne jetez pas les batteries avec vos ordures ménagères.
- N'INCINÉREZ PAS les batteries.
- NE PLACEZ PAS les batteries de façon à ce qu'elles se retrouvent dans un site d'enfouissement ou dans les déchets solides recueillis par la municipalité.
- Apportez les batteries à un centre de recyclage ou d'élimination certifié.

# DÉPANNAGE

ROB LÈME	CAUSE POSSIBLE	SOLUTION
<p>La tondeuse ne démarre pas.</p>	<p>La batterie est à plat. Le levier de commande du moteur/de la lame est défectueux. L'herbe a enfoncé à côté de la lame. La batterie n'est pas branchée au moteur. La batterie peut nécessiter un entretien ou un remplacement.</p>	<p>Chargez la batterie. Faites remplacer le levier de commande du moteur/de la lame (appelez le Service d'assistance téléphonique sans frais au 1-800-317-7833). Enlever la pile. Vérifier sous le pont pour garantir de l'herbe n'est pas enfoncée à côté de la lame. Vérifiez la connexion entre la batterie et le moteur. Appelez le Service d'assistance téléphonique sans frais au 1-800-317-7833 ou remplacez la batterie.</p>
<p>La tondeuse coupe de façon inégale.</p>	<p>La pelouse est inégale ou en friche. La hauteur de coupe est mal réglée.</p>	<p>Vérifiez la zone de coupe. Pour que la tondeuse coupe uniformément, toutes les roues doivent se trouver à la même position.</p>
<p>La tondeuse ne déchiquette pas bien.</p>	<p>Des brins d'herbe collent sous le plateau de tonte. L'accessoire de déchiquetage n'est pas installé.</p>	<p>Attendez que la pelouse sèche avant de la tondre. Installez l'accessoire de déchiquetage.</p>
<p>La tondeuse est difficile à pousser.</p>	<p>Le gazon est long, ou encore, la hauteur de coupe est trop basse. L'arrière de la tondeuse et la lame frottent contre l'herbe dense.</p>	<p>Augmentez la hauteur de coupe. Videz le sac arrière.</p>
<p>La tondeuse vibre et est bruyante.</p>	<p>L'arbre du moteur est tordu. La lame est déséquilibrée.</p>	<p>Arrêtez le moteur, et examinez les dommages. Réparez la tondeuse avant de l'utiliser de nouveau. Si la vibration persiste, appelez le Service d'assistance téléphonique sans frais 1-800-317-7833.</p>

# GARANTIE LIMITÉE

---

Briggs & Stratton garantit la réparation ou le remplacement gratuit, pendant la période de garantie spécifiée ci-dessous, de toute pièce présentant des vices de matériaux ou de fabrication. Les frais de transport du produit à réparer ou remplacer seront, dans le cadre de cette garantie, réglés par l'acheteur. Cette garantie court sur les périodes énoncées ci-dessous et est assujettie aux conditions énoncées ci-dessous. Pour trouver le distributeur autorisé le plus proche afin d'obtenir les services couverts par la garantie, veuillez consulter notre carte de localisation de distributeur sur [www.SNAPPER.com](http://www.SNAPPER.com). L'acheteur doit contacter le distributeur autorisé, puis lui apporter le produit à des fins d'inspection et de test.

Il n'y a pas d'autre garantie expresse. Les garanties implicites, y compris celles de qualité marchande et d'adaptation à un emploi particulier, sont limitées à une année à partir de la date d'acquisition ou conformément à ce qui est prévu par la loi. La responsabilité pour les dommages consécutifs ou indirects est exclue dans la mesure où l'exclusion est prévue par la loi. Certains états ou pays ne permettent pas les limitations de durée de la garantie implicite. Certains états ou pays n'autorisent pas l'exclusion ou la limitation des dommages consécutifs ou indirects. Dans ce cas, la limitation ci-dessus ne s'applique pas à votre cas. La présente garantie vous offre des droits juridiques spécifiques et il se peut que vous ayez d'autres droits qui varient d'une juridiction à une autre, ou d'un pays à un autre.\*\*

## PÉRIODE DE GARANTIE

	Usage privé	Usage professionnel
Équipement	60 mois	90 jours
Batterie et chargeur de batterie	24 mois	Aucun

\*\* En Australie - Nos produits sont livrés avec des garanties qui ne peuvent pas être exclues d'après les droits de la consommation australiens. Vous pouvez obtenir un remplacement ou un remboursement en cas de défaillance majeure ou en compensation de toute perte ou de tout dommage survenu dans le cadre des conditions raisonnablement prévisibles d'utilisation du produit. Vous pouvez également bénéficier de la réparation ou du remplacement des produits si la qualité de ces derniers n'est pas acceptable et si le défaut n'entraîne pas de défaillance majeure. Pour trouver le distributeur autorisé le plus proche afin d'obtenir les services couverts par la garantie, veuillez consulter notre carte de localisation de distributeur sur [insérer l'adresse du site Web], composer le 1300 274 447, ou envoyer une demande par voie électronique à l'adresse [salesenquires@briggsandstratton.com.au](mailto:salesenquires@briggsandstratton.com.au), Briggs & Stratton Australia Pty Ltd, 1 Moorebank Avenue, NSW, Australie, 2170.

La période de garantie commence à la date de l'achat par l'acheteur au détail ou commercial, initial. « Utilisation grand public » fait référence à un emploi dans une résidence individuelle par un particulier. « Utilisation commerciale » indique toutes les autres utilisations possibles, y compris commerciales, créatrices de revenus ou locatives. Une fois l'équipement utilisé à des fins commerciales, il est considéré comme un produit d'utilisation commerciale dans le cadre de cette garantie.

Afin d'assurer une couverture totale et rapide de la garantie, enregistrez votre produit sur le site Web indiqué ci-dessus ou sur [www.onlineproductregistration.com](http://www.onlineproductregistration.com), ou bien envoyez par la poste la carte d'enregistrement de la garantie remplie (si elle est fournie), ou composez le 1-800-743-4115 (aux É.-U.).

Conservez votre reçu d'achat comme preuve. Si vous n'avez pas de preuve de la date de l'achat initial au moment de la demande d'un service en vertu de la garantie, la date de fabrication du produit sera utilisée pour déterminer la période de garantie. L'enregistrement du produit n'est pas requis pour obtenir un service en vertu de la garantie pour les produits Briggs & Stratton.

---

# GARANTIE LIMITÉE

---

## AU SUJET DE LA GARANTIE

Un service en vertu de la garantie n'est disponible que par l'intermédiaire des distributeurs autorisés Snapper. Parfois, les demandes de réparations dans le cadre de la garantie peuvent ne pas être pertinentes. La présente garantie couvre uniquement les vices de matériaux ou de fabrication. Elle ne couvre pas les dommages causés par une utilisation inappropriée ou abusive, un entretien ou une réparation inapproprié, ou l'usure normale.

Utilisation inappropriée ou emploi abusif – L'emploi approprié comme il est prévu pour ce produit est décrit dans le mode d'emploi. L'utilisation du produit d'une façon non décrite dans le manuel d'utilisation ou l'emploi du produit après qu'il a été endommagé a pour effet d'annuler la garantie. Vous ne pourrez vous prévaloir de la garantie si le numéro de série du produit a été retiré, si le produit a été modifié d'une manière quelconque ou s'il présente des preuves d'utilisation abusive, telles que des marques de coups ou de corrosion par l'eau ou des produits chimiques.

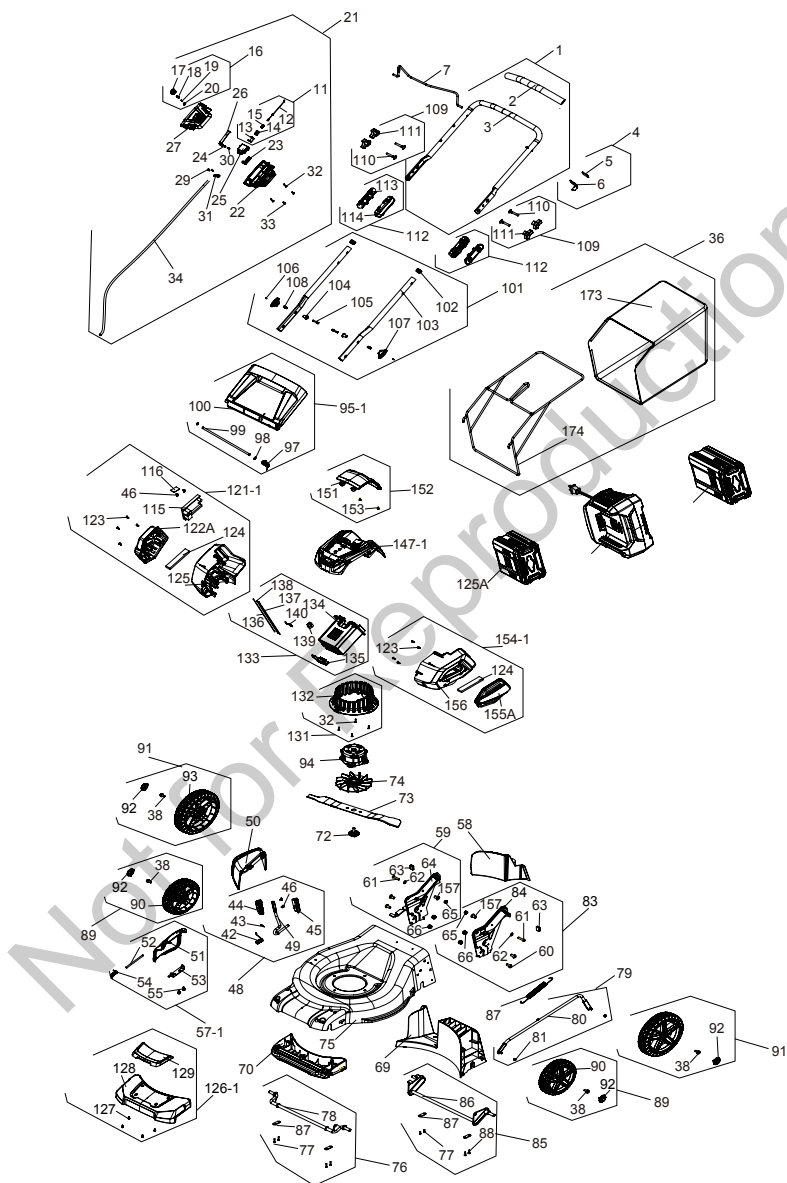
Réparation ou entretien inapproprié – Ce produit doit être entretenu selon les procédures et les programmes d'entretien décrits dans le manuel de l'utilisateur. En outre, il doit être dépanné ou réparé en utilisant des pièces d'origine Briggs & Stratton ou des pièces équivalentes. Les dommages causés par un manque d'entretien ou l'utilisation de pièces n'étant pas d'origine, ne sont pas couverts par la garantie.

Usure normale – Comme tous les appareils mécaniques, votre machine est sujette à l'usure même en cas d'entretien approprié. Cette garantie ne couvre pas la réparation de pièces ou d'équipements usés par un usage normal. Les articles d'entretien et d'usure, tels que filtres, courroies, lames et plaquettes de freins (les plaquettes de frein moteur sont couvertes) ne sont pas couverts par la garantie, uniquement en raison de leur caractéristique d'usure, à moins que la cause ne soit due à des vices de matériaux ou de fabrication.

Autres exclusions – Cette garantie ne couvre pas les dégâts dus à des accidents, des abus, des modifications, des altérations ou un entretien incorrect, ni les détériorations provoquées par le gel ou par une agression chimique. Les pièces ou accessoires rattachés ne faisant pas partie du conditionnement d'origine du produit ne sont également pas couverts. Cette garantie ne comporte pas les moteurs ou équipement de démonstration, usagés, d'occasion ou remis à neuf. Cette garantie ne couvre pas les détériorations provoquées par des catastrophes naturelles ou autres cas de force majeure dépassant le contrôle des fabricants.



# VUE ÉCLATÉE



# LISTE DES PIÈCES

NO. D'ARTICLE	NO. DE PIECE	DESCRIPTION	QTÉ
1	770168	KIT, POIGNÉE SUPÉRIEURE, NA	1
2	-----	ÉPONGE	1
3	-----	TIGE DE PRESSION, HAUT	1
4	770170	KIT, ARRÊT	1
5	-----	ÉPONGE	1
6	-----	PIÈCE, ALARME	1
7	770169	KIT, LEVIER	1
11	770171	KIT, CÂBLE ENSEMBLE	1
12	-----	LASSO, LE DÉBUT	1
13	-----	GLISSIÈRE	1
14	-----	SIÈGE, FIXE	1
15	-----	RESSORT	1
16	770173	KIT, MOLETTE	1
17	-----	BOUTON, LE DÉBUT	1
18	-----	RESSORT	1
19	-----	JOINT	1
20	-----	VIS	1
21	770172	KIT, BOÎTE DE COMMUTATION COMPOSANT, NA	1
22	-----	COUVERCLE, INFÉRIEUR	1
23	-----	GLISSIÈRE, COMMUTATEUR	1
24	-----	RESSORT	1
25	-----	COMMUTATEUR	1
26	-----	CARTE, RIGIDE	1
27	-----	COUVERCLE, SUPÉRIEUR	1
29	-----	VIS	2
30	-----	AXE, PETIT	1
31	-----	CARTE, PRESSION DE LIGNE	1
32	-----	VIS	2
33	-----	VIS	2
34	-----	FIL	1
11	770171	KIT, CÂBLE ENSEMBLE	1
16	770173	KIT, MOLETTE	1
36	770182	KIT, BAC À HERBE	1
173	-----	SAC, TISSU	1
174	-----	CADRE, BAC À HERBE	1

# LISTE DES PIÈCES

NO. D'ARTICLE	NO. DE PIECE	DESCRIPTION	QTÉ
48	770180	ENSEMBLE, BARRE DE RÉGLAGE DE LA HAUTEUR, NA	1
42	-----	RESSORT	1
43	-----	PIN	1
44	-----	COQUE, GAUCHE	1
45	-----	COQUE, DROITE	1
46	-----	VIS	2
49	-----	ROB, AJUSTEMENT	1
50	770194	KIT, DÉVERSOIR	1
57-1	770193	KIT, COUVERCLE, NA	1
51	-----	COUVERCLE	1
52	-----	AXE	1
53	-----	STENTS	1
54	-----	RESSORT	1
55	-----	BOULON	2
58	770183	KIT, FICHE	1
59	770178	KIT, DROITE SUPPORT, NA	1
60	-----	BOULON	2
61	-----	BOULON	1
62	-----	JOINT	1
63	-----	FICHE, CAOUTCHOUC	1
64	-----	RÉGLAGE DE LA HAUTEUR, DROITE	1
65	-----	ÉCROU	1
66	-----	ÉCROU	2
157	-----	BLOC	1
69	770205	KIT, ARRIÈRE PAROI	1
70	770206	KIT, AVANT PAROI	1
72	770190	KIT, BOULON	1
73	770191	KIT, LAME	1
74	770199	KIT, VENTILATEUR	1
75	770204	KIT, PLATE-FORME	1
76	770186	KIT, AVANT AXE	1
77	-----	VIS	4
78	-----	AXE, AVANT	1
87	-----	TABLETTE	2
79	770185	KIT, RÉGLAGE DE LA HAUTEUR	1

# LISTE DES PIÈCES

NO. D'ARTICLE	NO. DE PIECE	DESCRIPTION	QTÉ
80	-----	TIGE, CONNEXION	1
81	-----	ÉCROU	2
82	770189	KIT, RESSORT	1
83	770179	KIT, GAUCHE SUPPORT	1
84	-----	RÉGLAGE DE LA HAUTEUR, GAUCHE	1
60	-----	BOULON	2
61	-----	BOULON	1
62	-----	JOINT	1
63	-----	FICHE, CAOUTCHOUC	1
65	-----	ÉCROU	1
66	-----	ÉCROU	2
157	-----	BLOC	1
85	770184	KIT, ARRIÈRE AXE	1
86	-----	AXE, 21" NOIR	1
87	-----	TABLETTE	2
88	-----	VIS	2
77	-----	VIS	2
89	770188	KIT, 8" ROUE	1
90	-----	ROUE, 8"	1
92	-----	COUVERCLE DE LA ROUE	1
38	-----	BOULON	1
40	-----	JOINT, 80 V	1
91	770187	KIT, 10" ROUE	1
92	-----	COUVERCLE DE LA ROUE	1
93	-----	ROUE DE 10"	1
38	-----	BOULON	1
40	-----	JOINT, 80 V	1
94	770174	KIT, MOTEUR	1
95-1	770181	KIT, COUVERCLE ARRIÈRE ENSEMBLE, NA	1
97	-----	RESSORT	1
98	-----	GOUPILLE DE RETENUE	2
99	-----	AXE	1
100	-----	COUVERCLE, ARRIÈRE	1
101	770177	KIT, INFÉRIEURE POIGNÉE	1
102	-----	FICHE, CAOUTCHOUC	1

# LISTE DES PIÈCES

NO. D'ARTICLE	NO. DE PIECE	DESCRIPTION	QTÉ
103	----	ROB, PRESSION VERS LE BAS	1
104	----	BLOC	1
105	----	COLONNE LIMITÉE	1
106	----	BROCHE	1
107	----	COMMANDE	1
108	----	RESSORT	1
109	770175	KIT, MATÉRIEL	1
110	----	BOULON	1
111	----	COMMANDE	1
112	770176	KIT, BOÎTE, FIXE	1
113	----	BOÎTIER PRINCIPAL, BOÎTIER FIXE	1
114	----	COUVERCLE, BOÎTIER FIXE	1
115	770203	KIT, PCB	1
116	----	Capteur	1
117	----	PCB 21"	1
46	----	VIS	2
121-1	770197	KIT, DROITE COUVERCLE, NA	1
122A	----	DROITE COUVERCLE LATÉRAL	1
123	----	VIS	4
124	----	ÉCRAN ANTI-POUSSIÈRE	1
125	----	COUVERCLE PRINCIPAL, DROITE	1
126-1	770477	KIT, PANNEAU, AVANT, NA	1
127	----	VIS	4
128	----	CORPS PRINCIPAL, AMORTISSEUR	1
129	----	COUVERCLE, AMORTISSEUR	1
131	770200	KIT, BASE	1
132	----	LA BASE	1
32	----	VIS	4
133	770196	KIT, ENSEMBLE COMPARTIMENT À BATTERIE, NA	1
134	----	CAVITÉ, BLOC-BATTERIE	1
135	----	INSÉRER	1
136	----	FIL, ROUGE	33cm
137	----	FIL, JAUNE	33cm
138	----	FIL, NOIR	33cm
139	----	LA COQUE	1

# LISTE DES PIÈCES

NO. D'ARTICLE	NO. DE PIECE	DESCRIPTION	QTÉ
140	-----	BORNE	3
143	770202	KIT, MOLETTE	1
144	-----	AXE	1
145	-----	BOUTON	1
146	-----	RESSORT	1
147-1	770201	KIT, SUPÉRIEUR COUVERCLE, NA	1
152	770195	KIT, COUVERCLE DU COMPARTIMENT BATTERIE	1
151	-----	COUVERCLE DU COMPARTIMENT A PILES	1
153	-----	VIS	2
154-1	770198	KIT, GAUCHE COUVERCLE, NA	1
155A	-----	COUVERCLE, CÔTÉ GAUCHE	1
156	-----	BOÎTIER PRINCIPAL, GAUCHE	1
123	-----	VIS	4
124	-----	ÉCRAN ANTI-POUSSIÈRE	1
125A	1760266	KIT, LOGEMENT DE GAUCHE, NA	1
126A	1760263	BATTERIE, 2AH, NA (OPTIONNELLE)	1
127A	1760265	CHARGEUR, RAPIDE, NA (OPTIONNEL)	1

**SNAPPER**<sup>®</sup>

**XD**

**Briggs & Stratton Power Products Group, LLC**

**P.O. Box 702**

**Milwaukee, WI 53201**

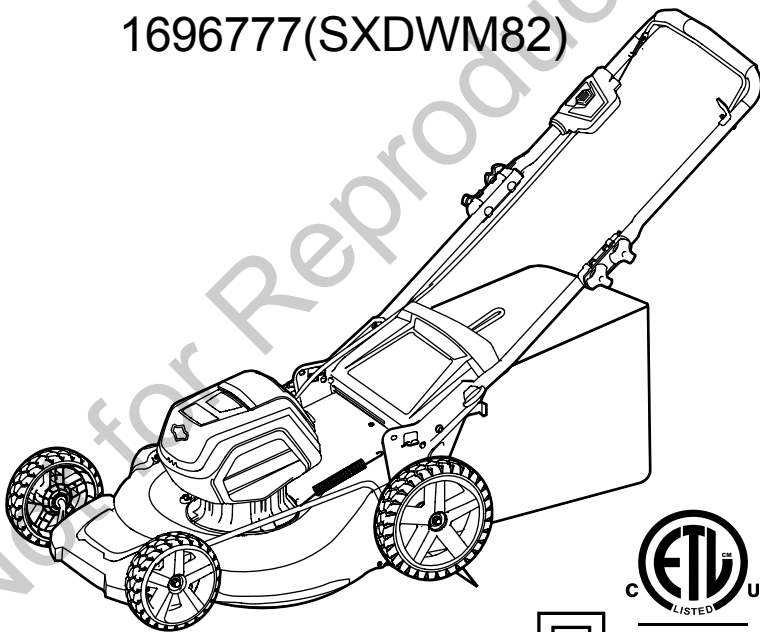
**TOLL-FREE HELPLINE: 1-800-317-7833**

---

# SNAPPER®

## XD

Podadora inalámbrica de 21 pulg. de  
ión de litio de 82 V  
1696777(SXDWM82)



Intertek  
3091488

Manual del Propietario

LÍNEA DE AYUDA GRATUITA: 1-800-317-7833

[www.snapper.com](http://www.snapper.com)

---

⚠ Antes de hacer funcionar esta herramienta, lea cuidadosamente todas las reglas de seguridad y las instrucciones.



# ÍNDICE

---

Índice .....	2
Especificaciones del producto .....	2
Información sobre seguridad .....	3
Símbolos .....	9
Conozca su podadora .....	11
Instrucciones de ensamblado .....	12
Funcionamiento .....	20
Mantenimiento de la Batería y el Cargador.....	25
Mantenimiento .....	27
Eliminación de la batería que no daña el medio ambiente .....	31
Corrección de problemas.....	32
Garantía Limitada .....	33
Vista desarrollada.....	35
Lista de piezas.....	36

## ESPECIFICACIONES DEL PRODUCTO

---

### PODADORA INALÁMBRICA DE 21 PULG. DE IÓN DE LITIO DE 82 V

Tipo de batería .....	82V Lithium-ion
Velocidad.....	2800 RPM
Tamaño de la cubierta.....	21" (53.3 cm)
Ajustes de altura.....	1 3/8 - 3 3/4"plug (3,5 - 9,5 cm)
Funciones 3-en-1:triturado de compuesto orgánico,almacenaje trasero,descarga lateral	
Peso(sin batería): .....	65.6 lbs (29.74 kg)

Exención de responsabilidad: \*El voltaje inicial máximo de la batería (medido sin carga de trabajo) es de 82 voltios. Es voltaje nominal es de 72.

# INFORMACIÓN DE SEGURIDAD

---

## FUNCIONAMIENTO GENERAL GUARDAR ESTAS INSTRUCCIONES

---

### **▲ A D V E R T E N C I A**

Este símbolo indica instrucciones importantes de seguridad. Si no se siguen estas instrucciones, la seguridad o propiedad personal del operador y otras personas podrían verse en peligro. Lea y comprenda todas las instrucciones en este manual antes de intentar usar la podadora. El incumplimiento de estas instrucciones podría ocasionar lesiones personales.

---

### **▲ P E L I G R O**

Esta podadora se diseñó para funcionar de acuerdo con las normas de uso seguro incluidas en este manual. Como sucede con cualquier tipo de equipo eléctrico, un descuido o error del operador pueden ocasionar lesiones graves. Esta podadora puede amputar partes del cuerpo y arrojar objetos. El incumplimiento de las siguientes normas de seguridad puede resultar en lesiones graves o la muerte. Cuando utilice podadoras eléctricas, tome siempre precauciones de seguridad básicas para reducir el riesgo de incendios, descargas eléctricas y lesiones personales.

---

### **▲ A D V E R T E N C I A**

Al utilizar podadoras de césped eléctricas, se debe siempre obedecer las precauciones básicas de seguridad para reducir los riesgos de incendio, choques eléctricos y lesiones personales.

---

### **▲ A D V E R T E N C I A**

Sólo aquellas personas que leyeron, comprendieron y que seguirán las advertencias e instrucciones en este manual y en la podadora deben utilizarla.

---

### **▲ A D V E R T E N C I A**

- Para contar con un funcionamiento seguro,lea y comprendael manual de instruccions.
  - Para reducir el riesgo de descarga eléctrica,no la expor agua ni la maneje cuando el suelo esté mojado.
  - Reemplace las piezas danadas inmediatamente. Desconecte y retire la batería antes de dar mantenimien.
  - No toque debajo de la cubierta protectora de la hoja.
  - Corte sobre la superficie de las pendientes y nunca de arriba a abajo.
  - Retire el paquete de batería antes de dar mantenimien o de retirar la hoja.
  - No la utilice a menos de 30,48 metros de personas o animales.No pode cuando haya niños u otros alrededor.
  - Mantenga los dispositivos de seguridad(cubiertas,protectores,interruptores,etc.)en su sitio y en funcionamiento.
  - Mire hacia abajo y hacia atrás de moverla hacia atrás y mientras lo hace.
  - Retire los objetos que la hoja pudiera lanzar.
  - Para reducir el riesgo de lesiones oculares,Utilice gafas de seguridad.
  - Parte del polvo que se crea al usar herramientas electricas contiene sustancias quimicas reconocidas por el estado de California como causantes de cancer y defectos congenitos u otros danos en el aparato reproductivo.
  - Cumple con las exigencias de seguridad para hojas de CPSC.
  - Solo deben utilizarse baterías BSB2AH82 (2 amp/hora) o BSB4AH82 (4 amp/hora) de Briggs & Stratton. Solo debe utilizarse el cargador BSRC82 de Briggs & Stratton.
-

# INFORMACIÓN DE SEGURIDAD

---

- Lea atentamente todas las instrucciones en la podadora y este manual antes de intentar ensamblar y usar la podadora. Guarde el manual en un lugar seguro para referencias futuras y consúltelo regularmente.
- Familiarícese con todos los controles y su correcto funcionamiento. Sepa cómo detener la podadora y desactivar la alimentación ante una emergencia.
- Para evitar el contacto con la cuchilla o lesiones ocasionadas por un objeto lanzado, permanezca en la zona de operación detrás de las manijas y mantenga a niños y transeúntes a al menos 30 m (100 pies) de distancia de la podadora si está funcionando. Detenga el motor de inmediato si alguien ingresa al área de trabajo.
- Inspeccione minuciosamente el área donde se utilizará la podadora. Elimine piedras, palos, cables, juguetes y otros objetos con los que alguien se pueda tropezar o que la cuchilla pueda lanzar. Los objetos que lance la podadora pueden ocasionar lesiones personales graves.
- Establezca su patrón de poda de tal manera que evite descargar material del lado de calles, aceras, transeúntes, etc. No descargue material contra una pared u obstrucción. Esto podría hacer que el material descargado rebote contra el operador.
- Siempre use protección ocular adecuada para protegerse los ojos cuando esté usando la podadora o realizando algún ajuste o reparación. Los objetos lanzados por la podadora que rebotan pueden ocasionar lesiones oculares graves.
- Siempre utilice una máscara facial o una máscara para polvo si usa la podadora en condiciones de polvo.
- Use la ropa adecuada. No use ropa holgada ni joyas que puedan quedar atrapadas en las piezas en movimiento. Se recomienda el uso de guantes de protección y calzado de seguridad.
- Muchas lesiones ocurren como resultado de pasar la podadora sobre los pies durante una caída provocada por resbalones o tropiezos. No use la podadora con pies descalzos ni con sandalias o zapatos livianos (de lona, por ejemplo). No se sostenga de la podadora si se está cayendo. Suelte la manija inmediatamente
- Nunca tire hacia usted la podadora mientras camina. Si debe retroceder la podadora para evitar una pared u obstáculo, mire primero abajo y atrás para evitar tropezarse y luego siga estos pasos:
  - Aléjese de la podadora hasta estirar completamente los brazos.
  - Asegúrese de estar bien equilibrado.
  - Tire la podadora lentamente hacia usted.
- No use la podadora en tareas que no sean para las que fue diseñada. No fuerce la podadora.
- No ponga las manos ni los pies cerca de piezas giratorias o debajo de la plataforma de corte. El contacto con las cuchillas puede producir la amputación de manos y pies.
- No intente ajustar las ruedas o la altura de corte con el motor en funcionamiento.
- Evite condiciones peligrosas. No use la máquina bajo la lluvia ni en césped mojado o húmedo.
- Corte el césped solamente con luz de día o una buena luz artificial. No apresure un trabajo de poda.
- Detenga la cuchilla cuando cruce entradas de gravilla, senderos o caminos.

# INFORMACIÓN DE SEGURIDAD

---

- Si la máquina comenzara a vibrar excesivamente, detenga el motor y busque la causa de inmediato. Por lo general, la vibración advierte un problema.
- Apague el motor y espere a que la cuchilla se detenga completamente antes de retirar el colector de césped o desobstruir el ducto. La cuchilla continúa girando por unos minutos después de que el motor se ha apagado. No coloque ninguna parte del cuerpo en el área de la cuchilla hasta estar seguro de que ha dejado de girar.
- Nunca use la podadora sin las guardas apropiadas, cubierta de descarga, colector de césped, control del motor y la cuchilla u otros dispositivos de seguridad en su lugar y en funcionamiento. No use la podadora si los dispositivos de seguridad están dañados, ya que esto puede ocasionar lesiones.
- No fuerce el cortacésped. Realizará un trabajo mejor y más seguro a la velocidad para la que ha sido diseñada.
- Guarde el cortacésped que no use en el interior. Cuando no está en uso, el cortacésped debe guardarse en un lugar interior seco, bajo llave, fuera del alcance de los niños.
- Mantenga el cortacésped. Mantenga los bordes de corte afilados y limpios para que realicen un trabajo mejor y más seguro.
- Guarde el cortacésped inactivo en el interior. Cuando no está en uso, el cortacésped debe ser almacenado en un lugar seco y mirado hacia arriba, fuera del alcance de los niños.
- Mantener el cortacésped. Mantenga los bordes de corte afilados y limpios para un mejor rendimiento y seguridad.
- Si la máquina golpea un objeto extraño, siga estos pasos:
  - Pare el cortacésped, suelte la palanca de control.
  - Quite la batería.
  - Verifique si hay algún daño.
- Repare cualquier daño antes de volver a poner en funcionamiento y utilizar el cortacésped.
- No cargue la podadora bajo la lluvia o en un lugar húmedo.
- Quite o desconecte la batería antes del mantenimiento, limpieza o retirada de material del cortacésped.
- Inspeccione el cable de motor del césped periódicamente y si está dañado, debe ser reparado por un servicio autorizado
- Use solamente cuchillas de repuesto idénticas
- No abra las baterías ni las corte. El electrolito suelto es corrosivo y podría causar lesiones en los ojos o la piel. Podría ser tóxico si se le ingiere.
- Cuando se utilice bajo la luz directa del sol hay que mantenerlo apartado del agua y no exponerlo a la lluvia.
- Guardar en un lugar interior y no exponerlo a la lluvia ni al agua. Tampoco debe exponerse a la luz directa del sol.

## SEGURIDAD DE LOS NIÑOS

Pueden ocurrir accidentes trágicos si el operador no está atento a la presencia de niños.

- Mantenga a los niños fuera del área de trabajo y bajo estricta vigilancia de un adulto responsable.

# INFORMACIÓN DE SEGURIDAD

---

- No permita que niños menores de 14 años usen esta podadora. Los niños de 14 años o más deben leer y comprender las instrucciones de funcionamiento y las normas de seguridad en este manual, además de ser entrenados y supervisados por sus padres.
- Esté alerta y apague la podadora si un niño o cualquier otra persona ingresan al área de trabajo.
- Antes y mientras se está moviendo hacia atrás, mire hacia abajo y atrás y verifique que no haya niños
- Tenga extremo cuidado cuando se acerque a esquinas ciegas, entradas de puertas, arbustos, árboles u otros objetos puedan bloquearle la vista de un niño que pudiera correr hacia la podadora.

## BATERÍA Y CARGADOR

---

### **⚠ PRECAUCIÓN**

UTILICE BATERÍAS DE REPUESTO APROBADAS ÚNICAMENTE. OTRAS BATERÍAS PUEDEN OCASIONAR DAÑOS A LA PODADORA. Solo deben utilizarse baterías BSB2AH82 (2 amp/hora) o BSB4AH82 (4 amp/hora) de Briggs & Stratton.

---

### **NORMAS DE SEGURIDAD DE LA BATERÍA**

- No se necesita conectar a una toma de corriente las herramientas de baterías; por lo tanto, siempre están en condiciones de funcionamiento. Esté consciente de los posibles peligros cuando no esté usando la herramienta de baterías o cuando esté cambiando los accesorios de la misma. Con el cumplimiento de esta regla se reduce el riesgo de una descarga eléctrica, incendio o lesión corporal seria.
- No coloque herramientas de baterías ni las baterías mismas cerca del fuego o del calor. De esta manera se reduce el riesgo de explosiones y de lesiones.
- No aplaste, deje caer o dañe la batería. Nunca utilice una batería o cargador que se ha caído, aplastado, recibido un golpe contundente o ha sido dañado(a) de alguna manera. Las baterías dañadas pueden sufrir explosiones. Deseche de inmediato toda batería que haya sufrido una caída o cualquier daño.
- Las baterías pueden explotar en presencia de una fuente de inflamación, como una luz guía. Para reducir el riesgo de lesiones corporales serias, nunca use un producto inalámbrico en presencia de llamas vivas. La explosión de una batería puede lanzar fragmentos y compuestos químicos. Si ha quedado expuesto a la explosión de una batería, lávese de inmediato con agua.
- No cargue ninguna batería en lugares mojados o húmedos. Con el cumplimiento de esta regla se reduce el riesgo de una descarga eléctrica. Para obtener resultados óptimos, debe cargarse la batería en un lugar donde la temperatura esté entre 43°F (6°C) y 104°F (40°C). No la guarde a la intemperie ni en el interior de vehículos.
- En condiciones extremas de uso o temperatura las baterías pueden emanar líquido. Si el líquido llega a tocarle la piel, lávese de inmediato con agua y jabón. Si le entra líquido en los ojos, láveselos con agua limpia por lo menos 10 minutos, y después busque de inmediato atención médica. Con el cumplimiento de esta regla se reduce el riesgo de lesiones corporales serias
- Cuando no esté utilizándose el paquete de baterías, manténgalo lejos de otros objetos metálicos, como clips, monedas, llaves, clavos, tornillos o otros objetos metálicos, pequeños que puedan establecer conexión entre ambas terminales. Establecer una conexión directa entre las dos terminales de las baterías puede causar quemaduras o incendios.

# INFORMACIÓN DE SEGURIDAD

---

- Siempre retire el paquete de baterías de la herramienta cuando esté ensamblando partes, realizando ajustes, limpiando o cuando ésta no esté en uso. Si retira el paquete de baterías, evitará arranques accidentales que podrían provocar lesiones graves.
- Siempre retire el paquete de baterías antes de guardar el dispositivo. Cuando la batería esté completamente cargada, desconecte el cargador del suministro de corriente y retire el paquete de baterías del cargador.
- Siempre póngase protección ocular con protección lateral con la marca de cumplimiento de la norma ANSI Z87.1. Si no cumple esta advertencia, los objetos que salen despedidos pueden producirle lesiones serias en los ojos.
- Mantenga el paquete de baterías seco, limpio y sin aceite ni grasa. Use siempre un paño limpio para limpiar. Nunca use líquido de frenos, gasolina, productos derivados del petróleo o solvente para limpiar el paquete de baterías

## **CUIDADO ADECUADO DE LA BATERÍA**

Almacenamiento fuera de temporada

Para lograr la más larga duración posible de las baterías, se sugiere lo siguiente:

- Retire el paquete de baterías del cargador una vez cargado completamente y listo para usarse.

Para guardar el paquete de baterías más de 30 días:

- Guarde la batería donde la temperatura sea inferior a 27°C (80°F) y lejos de la humedad
- Guarde el paquete de baterías cargado 30%-50%.
- Cargue la batería de manera normal, cada dos meses de almacenamiento.

## **NORMAS DE SEGURIDAD PARA EL CARGADOR**

- Cargue la batería en lugares secos exentos de la influencia del clima. No exponga la podadora ni el cargador a la lluvia. No realice la carga en lugares húmedos. Use el cargador de la batería en temperaturas de entre 6° y 40 ° C (43° y 104°F). Cuando cargue la batería, use únicamente el cargador provisto por el fabricante para reducir el riesgo de descarga eléctrica.
- No maltrate el cable del cargador. Nunca transporte el cargador del cable. No tire del cable para desconectar el cargador del tomacorriente o de la podadora. No repare la máquina con el cargador conectado ni con la llave de seguridad colocada.
- No utilice un cargador dañado. Cambie los cables o el cargador de inmediato.
- Mantenga la podadora y el cargador alejados de agua, fuentes de calor (radiadores, calentadores, estufas, etc.), llamas y químicos. No incinere este producto ya que las baterías en su interior podrían explotar o sufrir fugas
- Asegúrese de que el paquete de baterías se asegura en el cargador antes de utilizar.
- El paquete de baterías se siente un poco caliente al tocarse mientras está cargándose. Esto es normal y no indica ningún problema
- No coloque el cargador ni el paquete de baterías en ningún área extremadamente calurosa o fría. Funcionan mejor a la temperatura normal del interior.

# INFORMACIÓN DE SEGURIDAD

---

- Una vez cargadas completamente las baterías, desconecte el cargador del suministro de corriente y del paquete de baterías.

---

## **⚠ A D V E R T E N C I A**

Al transportar o dar servicio a la unidad, quite siempre la batería.

---

---

## **⚠ A D V E R T E N C I A ( P R O P O S I C I Ó N 6 5 )**

Este producto contiene un producto químico conocido en el Estado de California por: producir cáncer, malformaciones de nacimiento/ anomalías congénitas u otros daños reproductivos. Algo del polvo provocado por las lijas, sierras, trituradoras y taladros eléctricos, y otras actividades de construcción Contiene químicos reconocidos como causantes de cáncer y defectos congénitos u otros daños en el aparato reproductivo. Algunos ejemplos de estos químicos son:

- Plomo de pinturas con base de plomo,
- Sílice cristalina de ladrillos, cemento y otros productos de mampostería
- Arsénico y cromo de madera tratada con químicos.

El riesgo que corre a la exposición de estos químicos varía dependiendo de la frecuencia con que realiza estos tipos de trabajos. Para reducir la exposición a estos químicos: trabaje en un área bien ventilada y con el equipamiento de seguridad aprobado, como por ejemplo máscaras especialmente diseñadas para filtrar laspartículas microscópicas.

---

## **SERVICIO**

El servicio de la producto requiere extremo cuidado y conocimientos técnicos, por lo cual sólo debe ser efectuado por un tecnico de servicio calificado. Si no comprende los avisos de advertencia y sugerimos llevarla al **ESTABLECIMIENTO DE SERVICIO AUTORIZADO** de su preferencia para que la reparen. Al dar servicio a la unidad, sólo utilice piezas de repuesto idénticas.

---

**GUARDAR ESTAS INSTRUCCIONES**

---

# SÍMBOLO

Algunos de los siguientes símbolos pueden ser usados en este producto. Obsérvelos y aprenda su significado. Una correcta interpretación de estos símbolos le permitirá utilizar el producto mejor y de una forma más segura.




SÍMBOLO	NAME	DENOMINACIÓN/EXPLICACIÓN
V	Voltios	Voltaje
A	Amperios	Corriente
Hz	Hertz	Frecuencia(ciclos por segundo)
W	Watts	Potencia
min	Minutos	Tiempo
~	Corriente alterna	Tipo de corriente
≡	Corriente continua	Tipo o característica de corriente
$n_0$	Velocidad sin carga	Velocidad de giro al no haber carga
	Fabricación Clase II	Fabricación con doble aislamiento
/min	Por minuto	Revoluciones, carreras, velocidad superficial
	Alerta de seguridad	Precauciones para su seguridad
	Moje Condiciones Ponen obre aviso	No exponga la unidad a la lluvia ni la use en lugares húmedos.
	Lea el manual del operador	Para reducir el riesgo de lesiones, el usuario debe leer y comprender el manual del operador antes de usar este producto.
	Protección ocular	Use protección para los ojos con protectores laterales que cumpla con la ANSI Z87.1 al usar este producto.
	Mantenga las manos y los pies alejados	Mantenga las manos y los pies alejados de las cuchillas y del área de corte.
	No extenderse	No extienda las manos o los pies por debajo de la cubierta de la podadora.
	No utilizar sobre pendientes	No utilice la podadora sobre pendientes superiores a los 15°. Corte sobre la superficie de las pendientes y nunca de arriba a abajo.
	Mantenga alejadas a las personas presentes	Mantenga a los circunstantes a una distancia mínima de 30 m (100 pies).
	Riesgo de rebote	Tenga cuidado para que los espectadores que puedan estar cerca no resulten heridos por objetos extraños que puedan salir despedidos del cortacésped.



# SÍMBOLO

---

Las siguientes palabras de señalización y sus significados tienen el objeto de explicar los niveles de riesgo relacionados con este producto.

SÍMBOLO	SEÑAL	SIGNIFICADO
	<b>PELIGRO</b>	Indica una situación peligrosa inminente, la cual, si no se evita, causará la muerte o lesiones serias.
	<b>ADVERTENCIA</b>	Indica una situación peligrosa posible, la cual, si no se evita, podría causar la muerte o lesiones serias.
	<b>PRECAUCIÓN</b>	Indica una situación potencialmente peligrosa la cual, si no se evita, puede causar lesiones leves o moderadas..
	<b>PRECAUCIÓN</b>	(Sin el símbolo de alerta de seguridad) Indica una situación que puede producir daños materiales.

## PROTECCIÓN DEL MEDIO AMBIENTE



Los productos eléctricos de desperdicio no deben desecharse con desperdicios caseros. Por favor recíclelos donde existan dichas instalaciones. Compruebe con su autoridad local o minorista para reciclar.

La batería contiene material que es peligroso para usted y el medio ambiente. Deberá extraerla y desecharla por separado en una instalación que acepte baterías de ión-litio.

---

## ▲ A D V E R T E N C I A

Para evitar lesiones corporales serias, no intente utilizar este producto sin haber leído y comprendido totalmente el manual del operador. Si no comprende los avisos de advertencia y las instrucciones del manual del operador, no utilice este producto. Llame al departamento de atención al consumidor 1-800-317-7833 y le brindaremos asistencia.

---

---

## ▲ A D V E R T E N C I A



Cualquier producto en funcionamiento puede lanzar objetos hacia los ojos, lo cual puede causar serios daños a los mismos. Antes de iniciar la operación de herramientas de corriente, siempre utilice gafas de seguridad, gafas de seguridad con protección lateral, y en la medida en que sea necesario, un protector para toda la cara. Recomendamos la careta protectora de visión amplia encima de los anteojos normales, o los anteojos protectores estándar con protección lateral. Siempre póngase protección ocular con la marca de cumplimiento de la norma ANSI Z87.1.

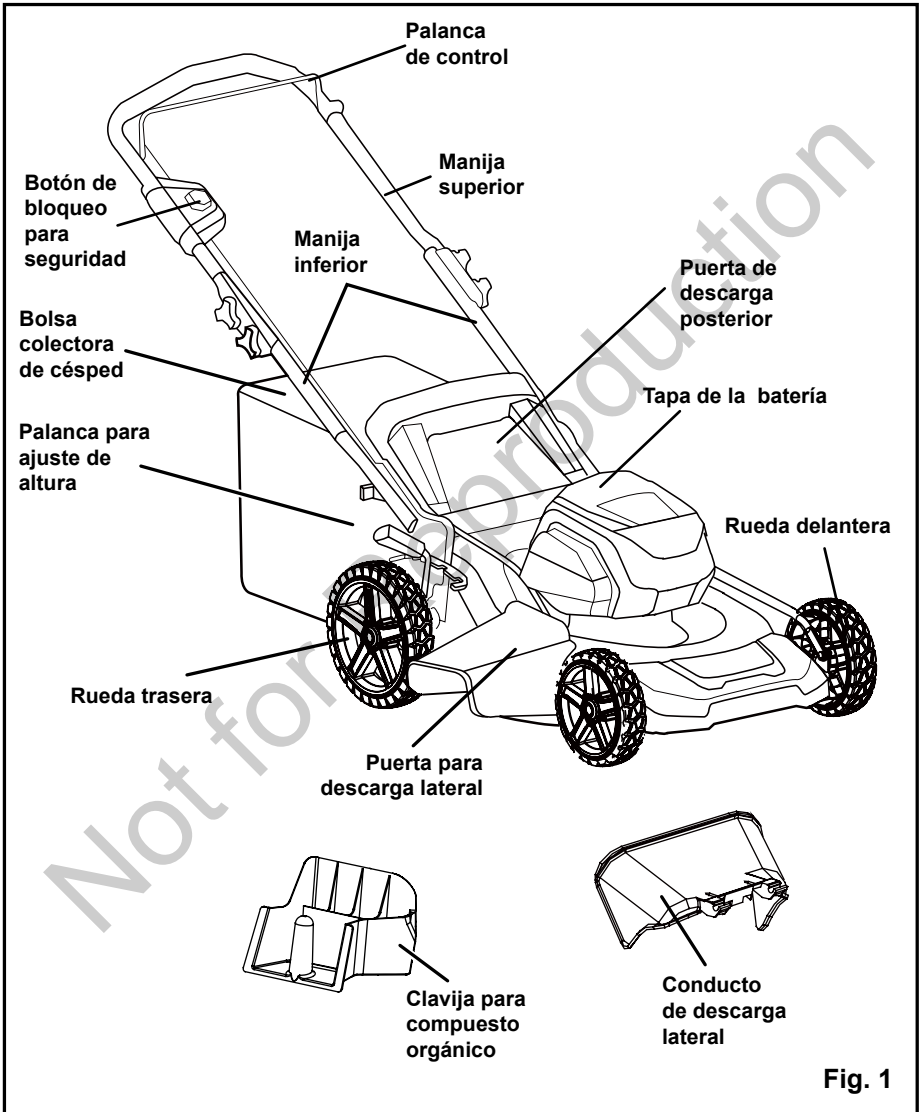
---

## GUARDAR ESTAS INSTRUCCIONES

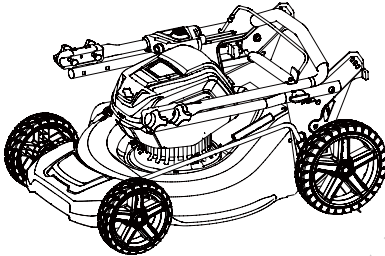
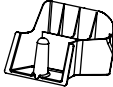

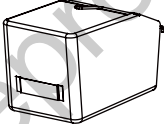



---

# CONOZCA SU PODADORA

Lea el manual del operador y las normas de seguridad antes de manejar la podadora. Compare la ilustración en Fig. 1 con la podadora para familiarizarse con la ubicación de los diferentes controles y ajustes. Guarde este manual para referencia futura.



# INSTRUCCIONES DE ENSAMBLADO

NOMBRE DE LAS PIEZAS	FIGURA	PARTE NO.
Podadora		1
Clavija para compuesto orgánico		1
Conducto de descarga lateral		1
Bolsa colectora de césped		1
Perilla de la empuñadura		4
Perno del asa		4
Manual		1

# INSTRUCCIONES DE ENSAMBLADO

---

## DESEMPAQUETADO

- Extraiga cuidadosamente de la caja la herramienta y los accesorios. Asegúrese de que estén presentes todos los artículos enumerados en la lista de empaquetado.
- Inspeccione cuidadosamente la herramienta para asegurarse de que no haya sufrido ninguna rotura o daño durante el transporte.
- No deseche el material de empaquetado hasta que haya inspeccionado cuidadosamente la herramienta y la haya utilizado satisfactoriamente.
- Si hay piezas dañadas o faltantes, le suplicamos llamar al 1-800-317-7833 donde le brindaremos asistencia.

---

## ⚠ ADVERTENCIA

En caso de que se dañe o falte alguna pieza, no utilice este producto hasta que se hayan reemplazado las piezas. El uso de un producto al que le faltan piezas o cuyas piezas están dañadas, puede producir lesiones personales graves.

---

---

## ⚠ ADVERTENCIA

No intente modificar este producto o crear accesorios que no fueron recomendados para usar con este producto. Cualquier alteración o modificación se considerará como mal uso y podrá resultar en una condición peligrosa que conducirá a posibles lesiones personales serias.

---

---

## ⚠ ADVERTENCIA

No inserte la llave hasta que el montaje sea completo y la unidad esté lista para cortar. Si la máquina está mal montada, podría arrancar accidentalmente y provocar graves daños personales.

---

---

## ⚠ ADVERTENCIA

Para evitar un arranque accidental que podría causar lesiones corporales serias, retire siempre la batería del producto al ensamblar las piezas.

---

---

## ⚠ ADVERTENCIA

No utilice nunca el cortacésped sin los dispositivos de seguridad adecuados en su lugar y en perfectas condiciones. Nunca use el cortacésped con dispositivos de seguridad dañados. La utilización de este producto con piezas dañadas o faltantes podrá causar lesiones personales serias.

---

# INSTRUCCIONES DE ENSAMBLADO

## DESPLEGAR Y AJUSTAR EL MANGO INFERIOR *(Consulte la figura 2)*

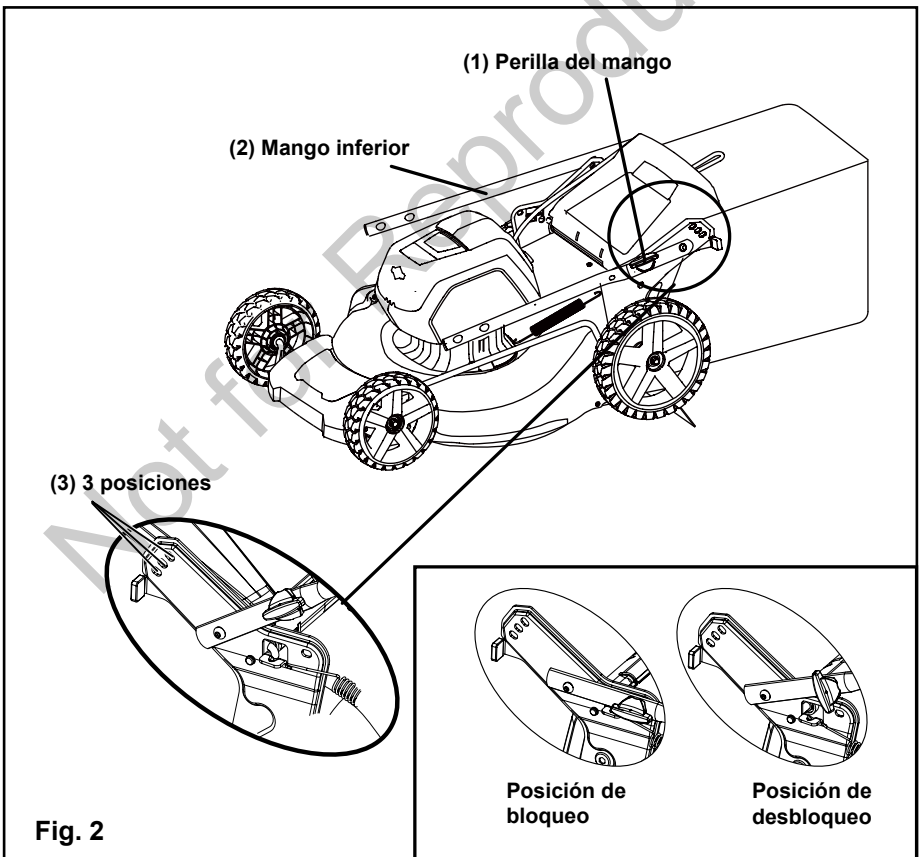
### **⚠ ADVERTENCIA**

Plegar y desplegar el mango incorrectamente puede dañar los cables y dar lugar a unas condiciones de funcionamiento inseguras.

- No dañe los cables al plegar o desplegar el mando.
- Si el cable está dañado póngase en contacto con el establecimiento de servicio autorizado.

- Tire y gire 90° las perillas de los mangos (1) que están a los dos lados para aflojar los mangos inferiores (2) de los dos lados.
- Mueva los mangos inferiores hasta la posición de funcionamiento. Puede elevar o bajar el mango hasta colocarlo en la posición más cómoda. Hay 3 posiciones (3) para elegir. Suelte las perillas de los mangos para colocar el mango inferior en su sitio.

*NOTA: Asegúrese de que ambos lados se fijan en la misma posición durante el montaje adecuado.*



**Fig. 2**

# INSTRUCCIONES DE ENSAMBLADO

## INSTALACIÓN DEL MANGO SUPERIOR (Consulte la figura 3)

- Alinee los agujeros para montar de la manija superior (1) y la manija inferior (2). Introduzca el perno (3) de cabeza de hongo y utilice las perillas (4) para apretarlos. Repita la operación por el otro lado.

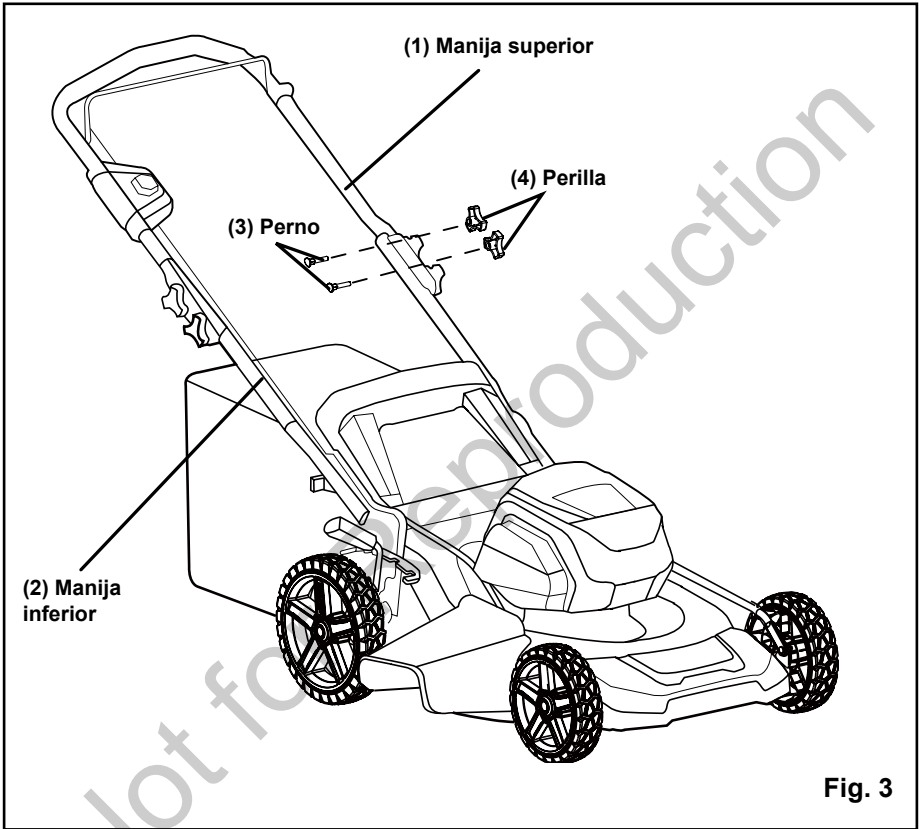


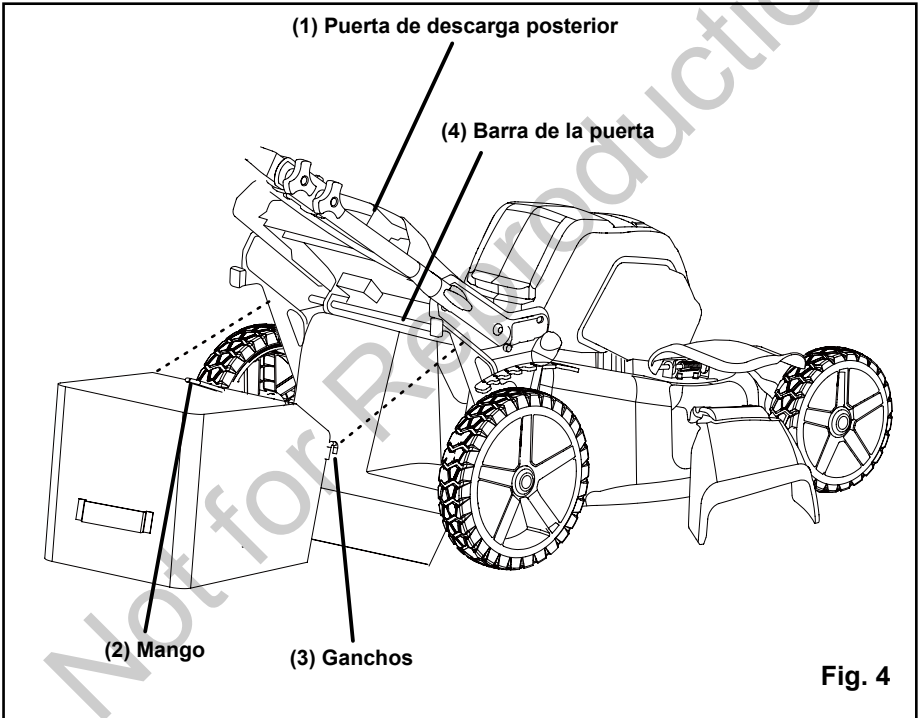
Fig. 3

# INSTRUCCIONES DE ENSAMBLADO

## COLOCACIÓN DEL COLECTOR DE CÉSPED (Consulte la figura 4)

- Levante la puerta de descarga posterior (1).
- Levante el receptor de hierba por su mango (2) y colóquelo debajo de la puerta de descarga posterior de modo que los ganchos (3) del receptor de hierba queden asentados en la barra de la puerta (4).
- Suelte la puerta de descarga posterior. Cuando estén correctamente instalados, los ganchos del receptor de hierba saldrán por las aberturas de la puerta de descarga posterior.

*NOTA: Cuando utilice el receptor de hierba no instale el deflector de descarga lateral ni el tapón de ecubrimiento.*

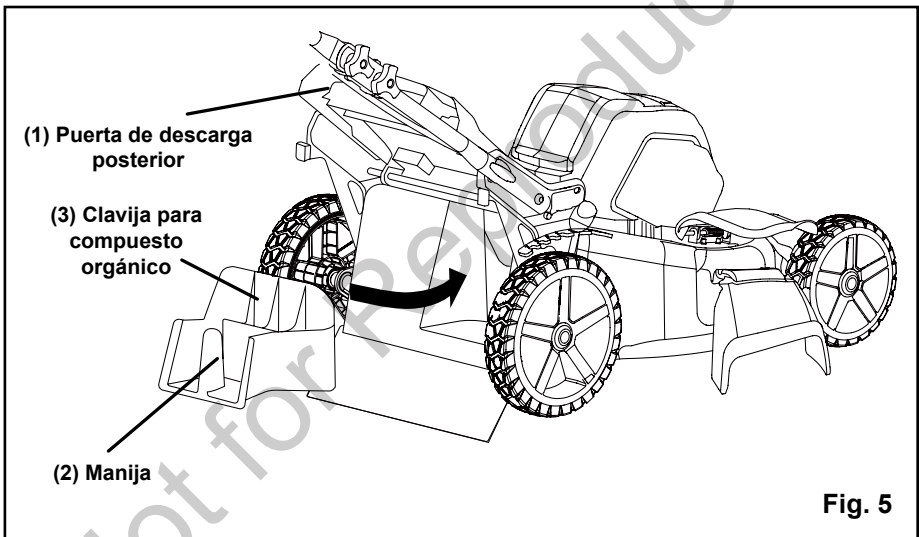


# INSTRUCCIONES DE ENSAMBLADO

## INSTALACIÓN O RETIRO DE LA CLAVIJA PARA COMPUESTO ORGÁNICO

(Consulte la figura 5)

- Para quitar el tapón de la función para cubrimiento con hojarasca , levante la puerta de descarga posterior (1).
- Tome la manija (2) del tapón de la función para cubrimiento con hojarasca y sáquelo mediante la manija.
- El tapón de la función para cubrimiento con hojarasca (3) se inserta angulado, por lo que es necesario ejercer un poco de fuerza para quitarlo.
- Para instalar la bolsa para recolección de grama se debe quitar el tapón de la función para cubrimiento con hojarasca.
- Al quitar la bolsa para recolección de grama se debe colocar de regreso el tapón de la función para cubrimiento con hojarasca.

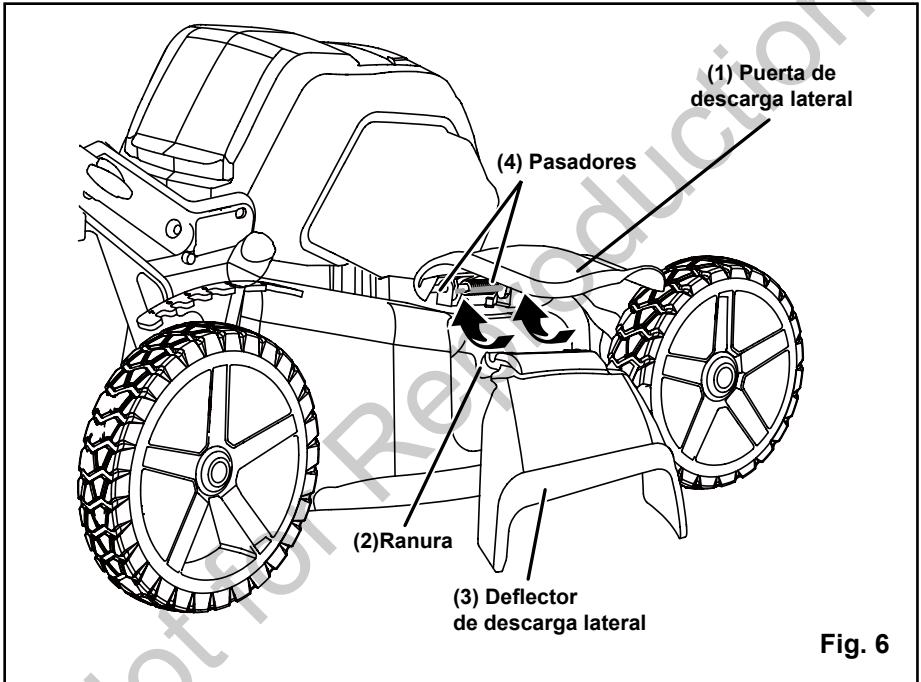




# INSTRUCCIONES DE ENSAMBLADO

## INSTALACIÓN DEL DEFLECTOR DE DESCARGA LATERAL *(Consulte la figura 6)*

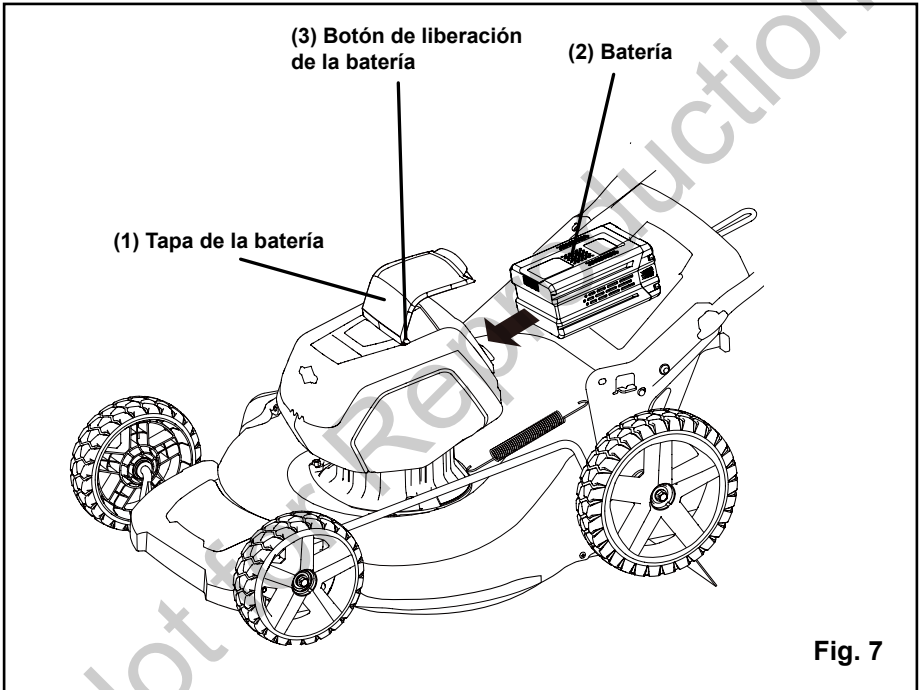
- Levante la puerta de descarga lateral (1).
- Alinee las ranuras (2) del deflector (3) con los pasadores (4) de la Puerta de descarga lateral (1).
- Baje el deflector hasta que los ganchos del piso de la podadora estén asegurados en las aberturas del deflector.
- Suelte el deflector y la puerta.



# INSTRUCCIONES DE ENSAMBLADO

## PARA INSTALAR LA BATERÍA (Consulte la figura 7)

- Levante y sostenga la tapa de la batería (1).
- Alinee la batería (2) con el puerto de la batería de la podadora.
- Asegúrese de que el botón de liberación de la batería (3) trabe en su lugar y que la batería esté completamente asentada y asegurada en la podadora antes de empezar la operación.
- Si la máquina no se va a utilizar inmediatamente, retire la batería.
- Cierre la tapa.



## PARA RETIRAR LA BATERÍA (Consulte la figura 7)

- Libere la palanca de control (N) para detener la podadora.
- Abra la tapa de la batería.
- Presione el botón de liberación de la batería (3) en la podadora. Esto hará que la batería se salga ligeramente de la herramienta.
- Retire la batería de la podadora.

# INSTRUCCIONES DE USO

---

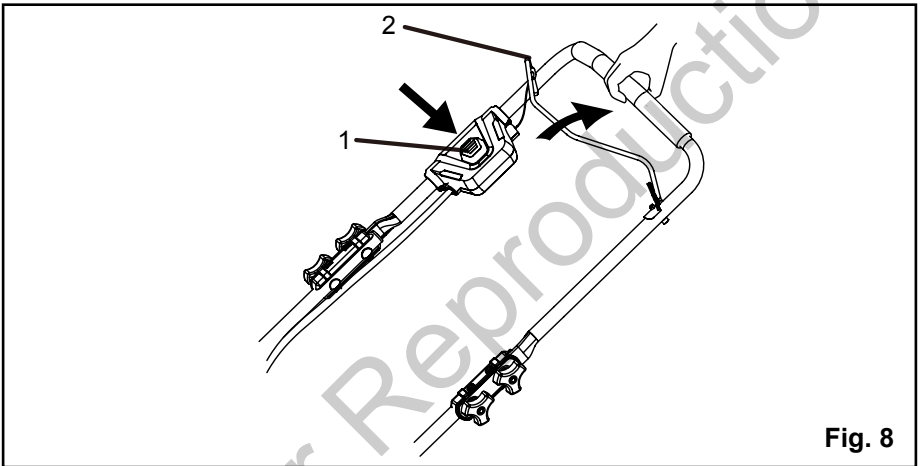
## ENCENDIDO /APAGADO DE LA PODADORA (Consulte la figura 8)

### Para arrancar la podadora:

- Levante la tapa de la batería.
- Instale la batería.
- Presione y mantenga presionado el botón de bloqueo para seguridad (1).
- Hale la palanca de control (2) hacia arriba de la manija para encender la podadora y suelte el botón

### Para detener la podadora:

- Libere la palanca de control.



### Arranque suave

Este cortacésped de LI-ION está equipado con una función de "arranque suave". Al arrancar inicialmente, el cortacésped se llevará aprox. 3 segundos para llegar hasta la máxima velocidad. Si el cortacésped no arranca inicialmente: Retire la batería y compruebe bajo la plataforma de corte para asegurarse de que no hay nada obstruyendo la cuchilla y que puede girar libremente con la mano. Incluso una pequeña cantidad de hierba en la puesta en marcha evitará que el "arranque suave" empiece.

---

## ⚠ PRECAUCIÓN

No intente anular el funcionamiento de la botón de bloqueo para seguridad o palanca de control.

---

## ⚠ ADVERTENCIA

Una operadora en funcionamiento puede arrojar objetos extraños a los ojos del operador y, de esta manera, ocasionar graves daños oculares. Siempre use gafas de seguridad cuando use la podadora y realice ajustes o reparaciones.

---

**INSPECCIÓN DEL ÁREA DE CORTE.** Retire piedras, palos, cables, juguetes y otros desechos que la cuchilla giratoria pueda arrojar.

---

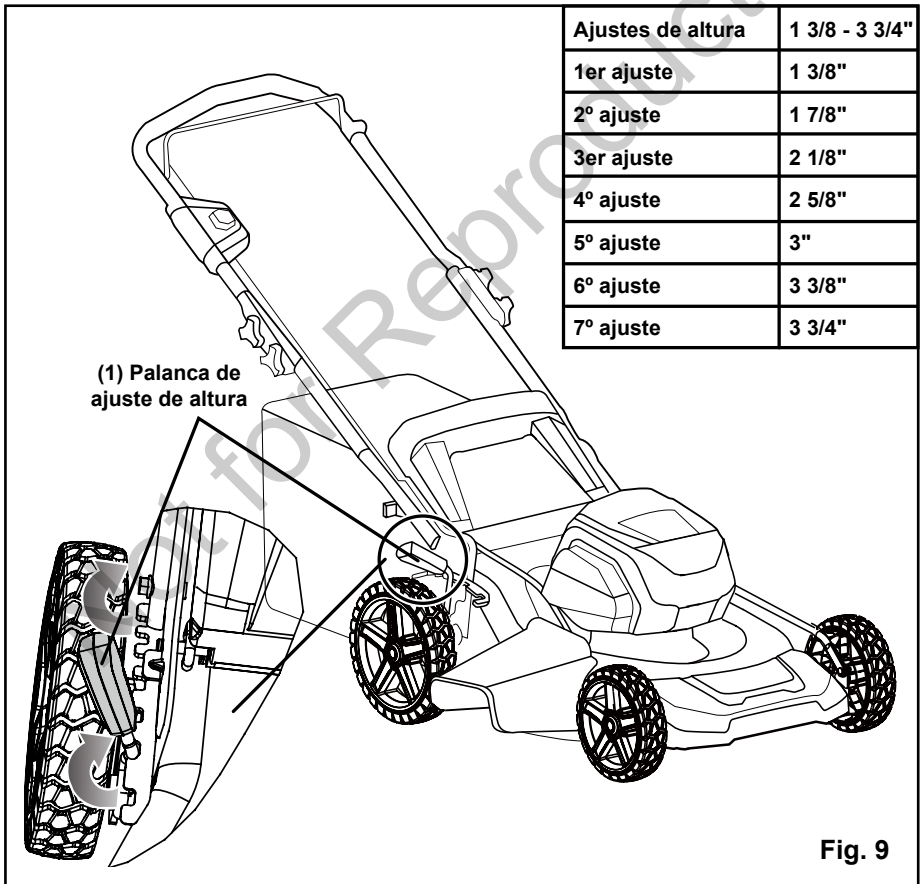
# INSTRUCCIONES DE USO

## AJUSTE DE LA ALTURA DE CORTE (Consulte la figura 9)

Al enviarse el aparato, las ruedas en el cortacésped se ajustan a una posición de corte bajo. Antes de usar el cortacésped por primera vez, ajuste la posición del corte a la altura más adecuada para su cortacésped. El césped promedio debería medir entre 38 mm y 50 mm durante los meses fríos y entre 50 mm y 83 mm durante los meses cálidos.

### Para ajustar la altura de la hoja:

- Eleve la altura de la hoja sujetando la palanca de ajuste de altura (1) y moviéndola hacia la parte posterior de la podadora.
- Baje la altura de la hoja sujetando la palanca de ajuste de altura (1) y moviéndola hacia la parte delantera de la podadora.



# INSTRUCCIONES DE USO

## MANEJO EN PENDIENTES (Consulte la figura 10)

### ⚠ ADVERTENCIA

Las pendientes son una de las causas principales de accidentes por resbalones y caídas accidentales que pueden provocar lesiones severas. El funcionamiento de la podadora en pendientes requiere tomar precauciones extraordinarias. Si se siente inseguro en una pendiente, no use la podadora allí. Para su seguridad, antes de hacer funcionar esta podadora en un área inclinada o con lomas, utilice el registrador de pendientes que ha sido incluido como parte de este manual para medir pendientes.

- Pude atravesando las pendientes; no hacia arriba ni hacia abajo. Tenga mucha precaución al cambiar de dirección en una pendiente.
- Tenga cuidado con los pozos, surcos, piedras, objetos ocultos o montículos que puedan provocar que se resbale o tropiece. El césped alto puede ocultar obstáculos. Retire todos los objetos como piedras, ramas de árboles, etc., que puedan provocar tropezones o ser lanzados por la cuchilla.
- Siempre asegúrese de su postura. Un resbalón y caída puede provocar lesiones serias. Si siente que está perdiendo el equilibrio, suelte el mango de control del motor/cuchilla inmediatamente. La cuchilla para de girar en 3 segundos.
- No pode el pasto de precipicios, zanjas o terraplenes; podría perder la firmeza de la postura o el equilibrio.
- No pode el césped en pendientes con un ángulo mayor a 15°.
- No pode la grama húmeda o mojada. Un apoyo poco estable podría provocar resbalones.

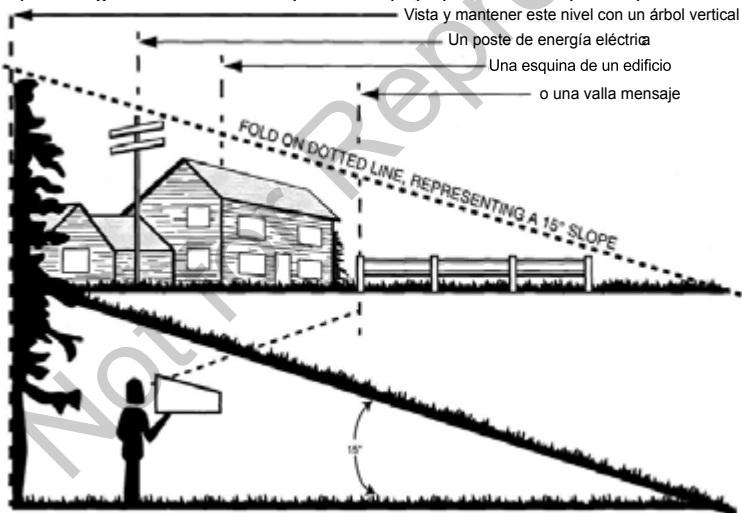


Fig. 10

### ⚠ ADVERTENCIA

No pode el césped en pendientes con un ángulo mayor a 15° (una elevación de aproximadamente 2-1/2 pies [0.75 metros] cada 10 pies [3 metros]). Pude transversalmente en el frente de una pendiente y nunca arriba abajo.

# INSTRUCCIONES DE USO

---

## CONSEJOS DE PODA

*NOTA: el rendimiento de la podadora será mucho mayor con una cuchilla filosa, especialmente si de corta césped alto. Asegúrese de revisar la cuchilla y afilarla al menos una vez al año, según se describe en la sección Mantenimiento..*

- Verifique que no haya piedras, palos, cables ni otros objetos en el césped que puedan dañar las cuchillas o el motor. Es posible que la podadora arroje estos objetos accidentalmente y en cualquier dirección, algo que puede ocasionar lesiones personales graves al operador y a otras personas.
- Para evitar descargas eléctricas, no use la podadora en condiciones húmedas.
- No pade el césped en círculos. Muévase hacia adelante y atrás del césped.
- Cuando corte césped grueso, pase la podadora más lentamente para lograr un mejor corte y una adecuada descarga de recortes. Para tener un césped sano, siempre corte un tercio o menos de su altura total. El césped promedio debe tener aproximadamente de 3,8 a 5 cm (1-1/2 a 2 pulgadas) de altura en meses fríos y más de 5 cm (2 pulgadas) en meses cálidos. Si hay crecimiento, el césped debe cortarse en otoño.

## CONSEJOS DE TRITURACIÓN DE COMPUESTO ORGÁNICO

*NOTA: SIEMPRE INSPECCIONE EL ÁREA DONDE UTILIZARÁ LA PODADORA Y RETIRE PIEDRAS, PALOS, CABLES, HUESOS Y OTROS DESECHOS QUE LA CUCHILLA GIRATORIA PUEDA ARROJAR..*

- Libere la palanca de control para apagar la podadora si cruza un área con gravilla (la cuchilla podría arrojar piedras).
- Coloque la podadora en la altura de corte más alta cuando pade suelos duros o malezas altas.
- Para que la trituración sea efectiva, no corte césped húmedo ya que tiende a pegarse en el lado inferior de la plataforma y, de esta manera, los recortes de césped no se trituran correctamente. Es posible que el césped nuevo o espeso necesite un corte más angosto. La velocidad en el suelo debe ajustarse según la condición del césped. Si no ha podado y el césped ha crecido más de 10 cm, pódelo dos veces para reducir su altura a un máximo de 8,3 cm.
- Camine a un ritmo constante y adecuado. Superponga las filas. No deje que el césped crezca demasiado. En caso de que esto suceda, comience en la posición de corte más alta y luego baje a la altura de corte deseada.

---

## **▲ A D V E R T E N C I A**

Si usted golpea un objeto extranjero, para el motor y quita la batería. Inspeccione minuciosamente si la podadora se dañó. Repare los daños antes de usar la podadora. La vibración excesiva de la podadora durante su funcionamiento advierte un daño. Inspeccione minuciosamente la podadora y repare los daños antes de usarla.

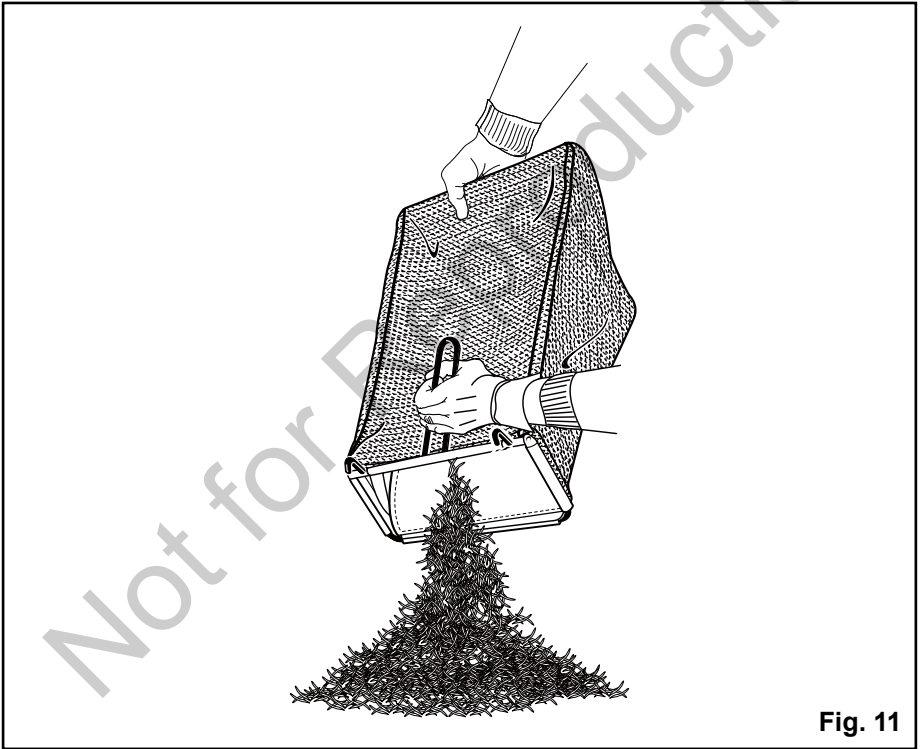
---

# INSTRUCCIONES DE USO

---

## VACIADO DE LA BOLSA PARA ENSACAR LA HIERBA *(Consulte la figura 11)*

- Detenga la podadora de césped, deje que las hojas se detengan por completo y retire la batería
- Levante la cubierta de descarga trasera.
- Levante la bolsa para ensacar la hierba por el mango para retirarla de la podadora.
- Vierta el césped triturado para vaciar la bolsa.
- Levante la cubierta de descarga trasera y reinstale la bolsa para ensacar la hierba como se ha descrito anteriormente en este manual.



**Fig. 11**

# MANTENIMIENTO DE LA BATERÍA Y EL CARGADOR

## PROCEDIMIENTO DE CARGA

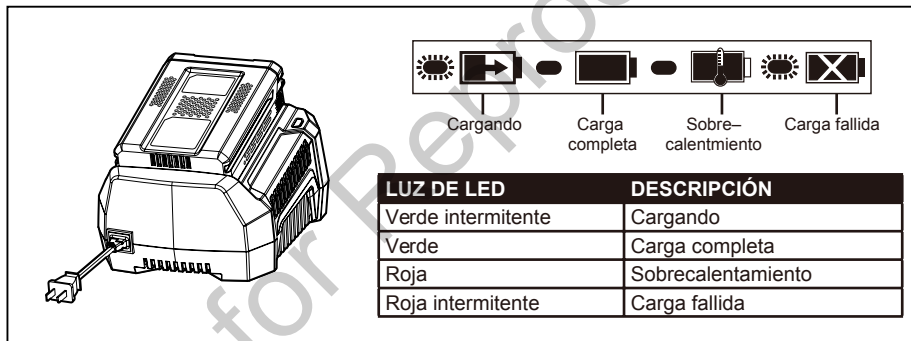
**NOTA:** La batería no se envía completamente cargada. Se recomienda cargarla completamente antes de usarla por primera vez para garantizar que se pueda obtener el máximo tiempo de funcionamiento. Esta batería de ión de litio no desarrolla memoria y se le puede cargar en cualquier momento.

### Carga a baja tensión:

Si la batería ha estado guardada con muy poca o ninguna carga durante un período largo de tiempo, el cargador se pondrá en modo de recuperación, lo que significa que le llevará 20 horas cargar completamente la batería. Esto mejorará la vida útil de la batería. Una vez que se ha cargado completamente, en la siguiente carga, volverá al modo de carga estándar.

1. Enchufe el cargador en un tomacorriente de CA.
2. Coloque el paquete de baterías en el cargador.

Este es un cargador con diagnóstico. Las lámparas LED del cargador se iluminan de acuerdo a un orden específico para indicar el estado actual de la batería. Ellos son los siguientes:



### Nota de defecto falso:

Cuando la batería es insertada en el cargador y la luz LED enciende intermitentemente en ROJO, quite la batería por 1 minuto y luego vuelva a insertarla. Si la luz LED enciende intermitentemente en VERDE, la batería está cargando de manera adecuada. Si la luz LED todavía enciende intermitentemente en ROJO, quite la batería y desconecte el cargador por 1 minuto. Después de 1 minuto, conecte el cargador y vuelva a insertar la batería. Si la luz LED enciende intermitentemente en VERDE, la batería está cargando de manera adecuada. Si la luz LED todavía enciende intermitentemente en ROJO, la batería tiene un defecto y debe ser reemplazada.



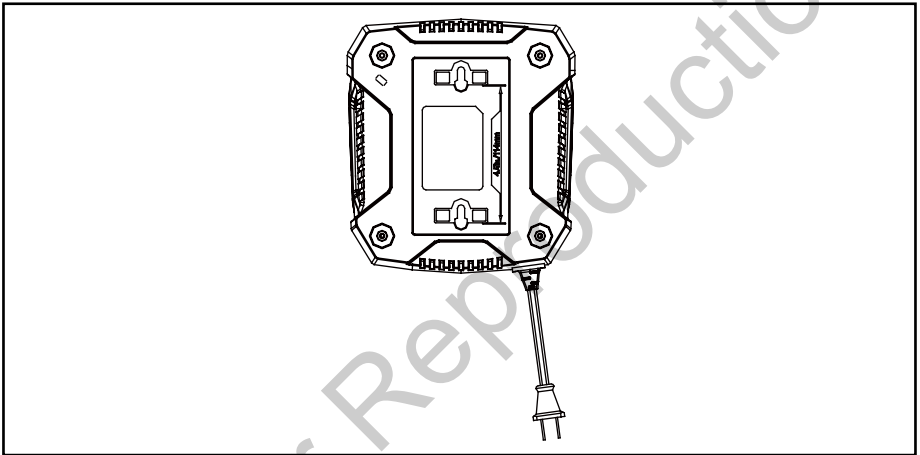
# MANTENIMIENTO DE LA BATERÍA Y EL CARGADOR

---

## MONTAJE DEL CARGADOR

1. Este cargador se puede instalar en una pared atornillándolo con dos #8 tornillos (no incluidos).
2. Localice el lugar en el que quiere colgar el cargador.
3. Si la pared es de madera, utilice dos tornillos especiales para madera (no incluidos).
4. Taladre dos hoyos en el centro, a una distancia de 11,43 cm, y asegúrese de que estén alineados verticalmente.
5. Si la pared es de yeso, utilice anclajes (no incluidos) y tornillos especiales para colgarlo.

NOTA: Si no va a utilizar la batería y el cargador durante un periodo largo de tiempo, retire la batería del cargador y desenchufe el cable de alimentación de CA.



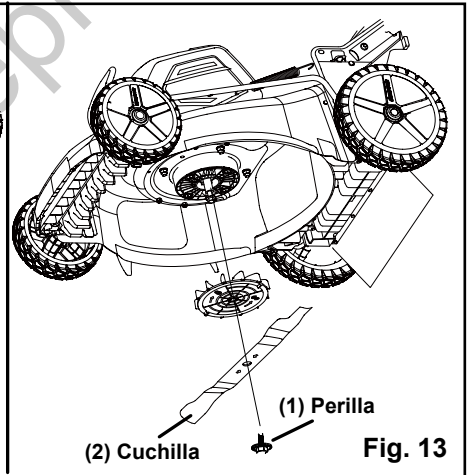
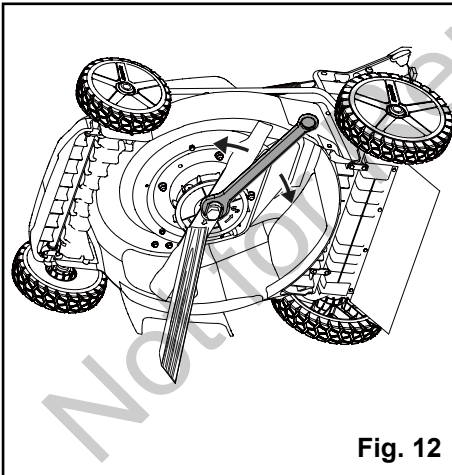
# MANTENIMIENTO

## CAMBIO DE LA CUCHILLA (Consulte la figura 12-13)

### ⚠ ADVERTENCIA

Para reducir el riesgo de descarga eléctrica, no exponga la podadora al agua. Se debe limpiar el lado inferior de la plataforma de la podadora después de cada uso, ya que se acumulan recortes de césped, hojas, suciedad y otros desechos, y producen óxido y corrosión.

- Retire la batería.
- Use guantes acolchados de cuero y calce un bloque de madera entre la cuchilla y la plataforma de la podadora a fin de evitar que la cuchilla gire cuando se retire la perilla (1).
- Utilice un casquillo o una llave de 27 mm para aflojar la perilla (1) y sacar la cuchilla (2). Gire la tuerca "EN DIRECCIÓN CONTRARIA A LAS MANECILLAS DEL RELOJ" para aflojarla y "EN LA MISMA DIRECCIÓN QUE LAS MANECILLAS DEL RELOJ" para ajustarla.
- Retire la perilla (1) y la cuchilla (2).
- Para volver a colocar la cuchilla, póngala con los bordes cortantes en dirección a la tierra. Ensamble la perilla como se muestra a continuación. Con un casquillo o una llave de 27 mm, gire la tuerca de la cuchilla "EN LA MISMA DIRECCIÓN QUE LAS MANECILLAS DEL RELOJ" para asegurar la cuchilla.



**NOTA:** asegúrese de cambiar las partes en el mismo orden en el que se retiraron. Cuando coloque la cuchilla, verifique que los extremos curvos apunten a la plataforma de la podadora y no a la tierra. Consulte el dibujo esquemático en la página 35 de este manual.

# MANTENIMIENTO

---

## LIMPIEZA DE LA PODADORA

---

### **⚠ ADVERTENCIA**

Para reducir el riesgo de descarga eléctrica, no exponga la podadora al agua. Se debe limpiar el lado inferior de la plataforma de la podadora después de cada uso, ya que se acumulan recortes de césped, hojas, suciedad y otros desechos, y producen óxido y corrosión.

---

Retire toda acumulación de césped y hojas en y alrededor de la cubierta del motor (no use agua). Limpie la podadora con un paño seco de vez en cuando. Si se acumulan desechos en el lado inferior de la unidad mientras la está usando, detenga el motor desconéctelo del suministro de electricidad. Incline la podadora hacia adelante o hacia un lado y raspe el lado inferior hasta limpiarlo con una herramienta apropiada.

### **ALMACENAJE DEL CORTACÉSPED**

Debe seguir los pasos a continuación antes de guardar la podadora de césped.

- Limpie la podadora según las instrucciones anteriores.
- Inspeccione y cambie o afile la cuchilla de ser necesario. Consulte la sección de mantenimiento.
- Lubricar la podadora. Almacene la podadora en un área seca y limpia. No la almacene cerca de materiales corrosivos, como fertilizantes y cloruro sódico.
- Guarde la podadora en un lugar fresco y seco bajo techo, fuera del alcance de los niños. No la cubra con una lámina de plástico sólido, ya que el plástico atrae humedad alrededor de la podadora y produce corrosión.
- Saque la batería y almacénela en un lugar fresco y seco, si es posible. Para aumentar la vida útil de la batería cárguela cada dos semanas al no estar en uso..
- Quite la llave y guárdela en un lugar seguro fuera del alcance de los niños. Para almacenarla no es necesario quitar la batería.

### **⚠ ADVERTENCIA**

Esta batería debe cargarse cada 3 meses cuando está guardada para mantener su capacidad al máximo.

---

### **FUNCIÓN DE ALMACENAMIENTO VERTICAL** *(Consulte la figura 14)*

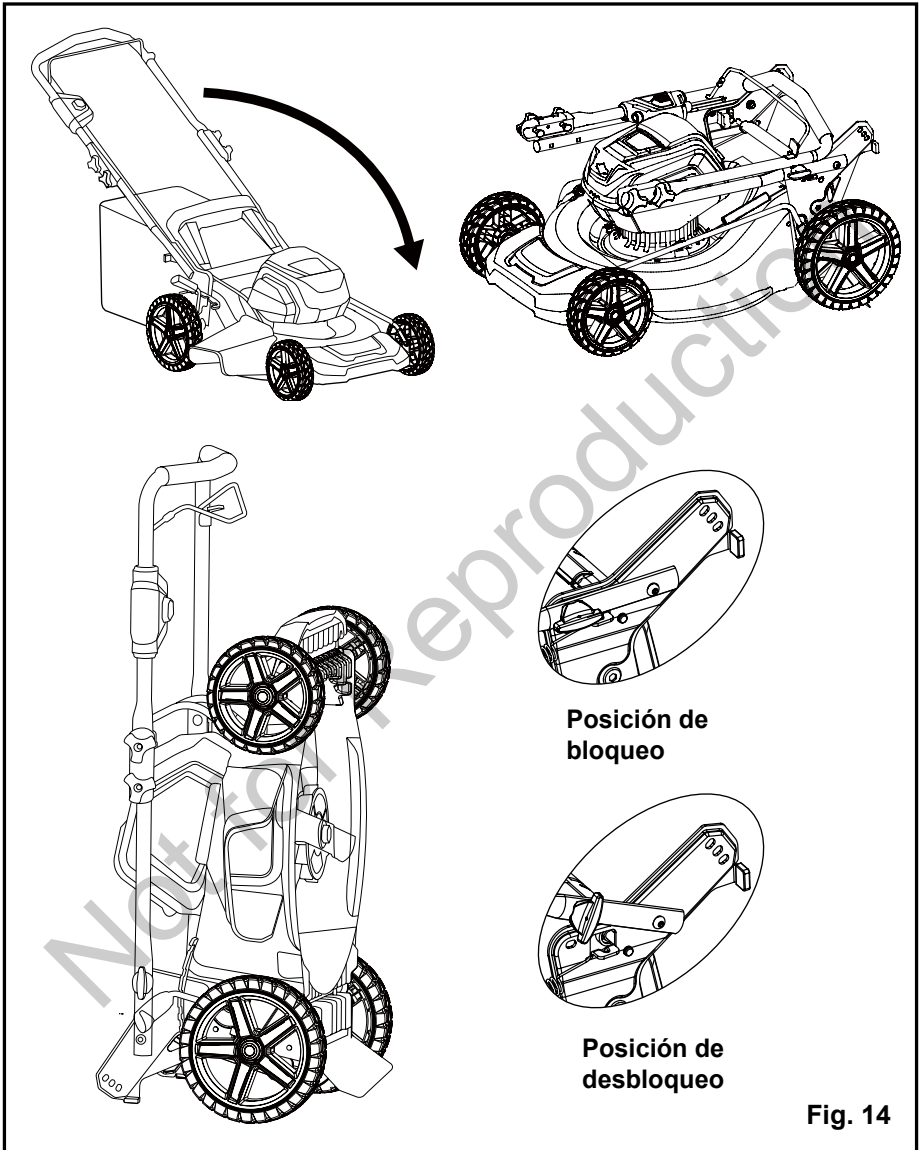
- Retire la batería del cortacésped.
- Retire la bolsa de colector de césped.
- Gire las perillas del mango a la posición de desbloqueo.
- Baje el conjunto del mango y gire las manillas del mango a la posición de bloqueo.
- Levante el cortacésped por la parte delantera a la posición vertical.

### **⚠ ADVERTENCIA**

Siempre retire la batería el cortacésped antes de colocar la unidad en la posición de almacenamiento vertical.

---

# MANTENIMIENTO



# MANTENIMIENTO

---

- Cuando repare la podadora, utilice únicamente piezas de repuestos disponibles del fabricante. Para obtener piezas de repuesto, llame a la línea de ayuda gratuita al 1-800-317-7833. Si se utilizan piezas que no cumplen con las especificaciones del equipo original, es posible que el rendimiento sea inadecuado y se vea comprometida la seguridad.
- Antes de limpiar, reparar o inspeccionar la podadora, verifique que la cuchilla y todas las piezas con movimiento se hayan detenido por completo, y retire la llave. A fin de evitar arranques accidentales, retire la llave cuando la podadora no está siendo usada. Retire la batería cuando realice ajustes o cuando cualquiera de las cuatro ruedas tiene que levantarse del piso.
- Siga las instrucciones de lubricación y cambio de accesorios.
- Mantenga las manijas secas, limpias y sin aceite ni grasa.
- Para reducir el riesgo de incendio, mantenga el motor libre de acumulaciones de césped, hojas y desechos.
- A menudo verifique que pernos de montaje del motor y la cuchilla estén bien ajustados. Inspeccione visualmente si la cuchilla está dañada (es decir, si está doblada, agrietada o desgastada)
- Mantenga la podadora con cuidado para el mejor y más seguro funcionamiento. Mantenga la cuchilla afilada y limpia. Las cuchilla están afiladas y pueden cortar. Envuelva las cuchilla o use guantes. Realice las reparaciones con extremo cuidado.
- Mantenga tuercas, pernos y tornillos ajustados para asegurarse de que el equipo se encuentre en una condición de trabajo segura.
- No manipule los dispositivos de seguridad. Verifique su correcto funcionamiento regularmente.
- Si choca un objeto extraño, detenga el motor y cambie el pasador de seguridad. Inspeccione minuciosamente si la podadora se dañó. Repare los daños antes de usar la podadora.
- Los componentes de la podadora pueden desgastarse y dañarse, y esto a su vez puede exponer las piezas en movimiento y permitir que se arrojen objetos. Como una precaución de seguridad, revise frecuentemente los componentes y cambie aquéllos que muestren signos de desgaste o daño.
- Cuando no esté en uso, guarde la podadora en un lugar seco bajo techo y fuera del alcance de los niños.

---

## **⚠ A D V E R T E N C I A**

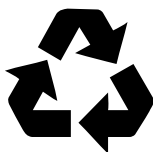
Al dar servicio o transportar la podadora quite siempre la batería.

---

# ELIMINACIÓN DE LA BATERÍA QUE NO DAÑA EL MEDIO AMBIENTE

---

Las baterías que se utilizan en el paquete de baterías de esta podadora contienen los siguientes materiales tóxicos y corrosivos: ION DE LITIO.



---

## **▲ A D V E R T E N C I A**

Se debe desechar los materiales tóxicos de la forma especificada para evitar contaminar el medio ambiente. Antes de desechar los paquetes de baterías de ión de litio dañados o desgastados, póngase en contacto con su agencia local para eliminación de desechos para obtener información e instrucciones específicas. Lleve las baterías a un centro local para reciclaje o eliminación, certificado para eliminación. Si el paquete de baterías se raja o se quiebra, ya sea que tenga fugas o no, no lo vuelva a cargar y no lo use. Deséchelo y reemplácelo con un paquete de baterías nuevo. ¡NO INTENTE REPARARLA!

---

Obedezca las siguientes instrucciones para evitar lesiones y riesgos de incendio, explosión o choques eléctricos y para evitar daños al medio ambiente:

- Para evitar lesiones y riesgo de incendio, explosión y descarga eléctrica, así como daños al medio ambiente: Cubra las terminales de la batería con cinta adhesiva para trabajo pesado.
- NO intente retirar ni destruir ninguno de los componentes del paquete de batería.
- NO intente abrir el paquete de batería.
- Si se produce una fuga, los electrolitos liberados son corrosivos y tóxicos. NO introduzca el líquido en los ojos, no lo coloque en la cara ni lo trague.
- NO coloque las baterías en la basura común de su casa.
- NO las incinere.
- NO las coloque en lugares en los que formarán parte de cualquier basural o flujo municipal de residuos sólidos.
- Colóquelas en un centro de reciclaje o eliminación certificado.

# SOLUCIÓN DE PROBLEMAS

PROBLEMA	CAUSA POSIBLE	SOLUCIÓN
La podadora no arranca.	<p>La batería no tiene carga.</p> <p>El interruptor de control está dañado.</p> <p>Pasto pegado al lado de la hoja.</p> <p>La batería no es conectada al motor.</p> <p>La batería puede requerir servicio o reemplazo.</p>	<p>Cargue la batería.</p> <p>Reemplace el interruptor de control. (Llame a la línea telefónica gratis para ayuda 1-800-317-7833.</p> <p>Quite batería. Verifique bajo plataforma para asegurar que césped no sea atascado luego a la hoja.</p> <p>Revise la conexión entre el conector del motor y la batería.</p> <p>Llame a la línea telefónica gratis para ayuda 1-800-317-7833 o reemplace la batería.</p>
La podadora corta el césped de forma despareja.	<p>El césped es escabroso o desparejo.</p> <p>La altura de corte no se ajustó correctamente.</p>	<p>Revise el área a podar.</p> <p>Mueva las ruedas a una posición más alta.</p>
La podadora no trituramulch correctamente.	<p>Hay recortes de césped húmedo pegados en el lado inferior de la plataforma.</p> <p>El tapón de la función para cubrimiento con hojarasca no está en su lugar.</p>	<p>Espere a que el césped se seque antes de podar.</p> <p>Instalación de la clavija para compuesto orgánico</p>
La podadora to es pesada para empujar.	<p>La grama está muy larga o la altura de corte está muy baja.</p> <p>La parte trasera de la carcaza de la podadora y la cuchilla se traban debido a que la grama es muy densa.</p>	<p>Aumente la altura de corte.</p> <p>Vacíe la bolsa para recolección de grama.</p>
La podadora produce ruido and y vibración excesivos.	<p>El eje del motor está doblado.</p> <p>La cuchilla no está equilibrada.</p>	<p>Detenga el motor y compruebe si hay daños.</p> <p>Repare lo necesario antes de arrancarla de nuevo. Si la vibración continúa, llame a la línea telefónica gratis para ayuda 1-800-317-7833.</p>

# GARANTÍA LIMITADA

---

Briggs & Stratton se compromete a que, durante el período de garantía especificado a continuación, reparará o sustituirá, de manera gratuita, cualquier pieza con defectos de material o fabricación, o de ambos. El comprador deberá correr con los gastos de transporte del producto que envíe para reparación o reemplazo al amparo de esta garantía. Esta garantía tiene vigencia y está sujeta a las condiciones que se establecen más adelante. Para el servicio de garantía, busque el distribuidor de servicio autorizado más cercano en el mapa localizador de distribuidores en [www.SNAPPER.com](http://www.SNAPPER.com). El comprador debe ponerse en contacto con el distribuidor autorizado y poner el producto a disposición del mismo para que lo inspeccione y lo pruebe.

No existe otra garantía expresa. Las garantías implícitas, inclusive aquellas de comerciabilidad y de idoneidad para un propósito en particular, se limitan al período de garantía expresado abajo, o hasta los límites permitidos por la ley. La responsabilidad por daños fortuitos o indirectos está excluida en tanto lo permita la ley. Algunos países o estados no permiten limitar la duración de una garantía implícita ni excluir o limitar los daños secundarios y derivados. Por tanto, es posible que las limitaciones y exclusiones mencionadas no sean aplicables en su caso. Esta garantía le otorga derechos legales específicos, y también podría tener otros que varían según el estado o el país.\*\*

## PERÍODO DE GARANTÍA

	Uso particular	Uso comercial
Equipo	60 meses	90 días
Cargador de batería y la batería	24 meses	Ninguno

\*\* En Australia, nuestros productos están cubiertos por garantías ineludibles de acuerdo con la legislación sobre consumo de este país. Tiene derecho a un recambio o devolución en caso de avería grave y a una compensación por las posibles pérdidas o daños razonables previsibles. Asimismo, si la vería no es grave, tiene derecho a que se reparen o reemplacen los productos si no tienen una calidad aceptable. Para servicio de garantía, localice al distribuidor de servicio autorizado más cercano con nuestro mapa en [BRIGGSandSTRATTON.COM](http://BRIGGSandSTRATTON.COM), llame al 1300 274 447, o bien, envíe un correo electrónico a [salesenquires@briggsandstratton.com.au](mailto:salesenquires@briggsandstratton.com.au), o escriba a Briggs & Stratton Australia Pty Ltd, 1 Moorebank Avenue, NSW, Australia, 2170.

El período de garantía comienza en la fecha de compra por el primer consumidor o usuario comercial final. «Uso particular» significa uso doméstico residencial personal por un consumidor minorista. «Uso comercial» significa los demás usos, lo que incluye el uso para propósitos comerciales, generar ingresos o alquiler. Una vez que el producto se haya usado para fines comerciales, de ahí en adelante se considerará uso comercial a efectos de esta garantía.

A fin de garantizar una pronta y completa cobertura de la garantía, registre su producto en el sitio web que se muestra arriba o en [www.onlineproductregistration.com](http://www.onlineproductregistration.com), o envíe por correo la tarjeta de registro diligenciada (si se suministra), o llame al 1-800-743-4115 (en los EE. UU.).

Guarde el recibo comprobante de compra. Si no se proporciona una prueba de la fecha de compra inicial en el momento se solicitar servicio de garantía, se utilizará la fecha de fabricación del producto para determinar el período de garantía. No es necesario el registro del producto para obtener el servicio de garantía de los productos Briggs & Stratton.



# GARANTÍA

---

## ACERCA DE LA GARANTÍA

El servicio de garantía solo está disponible a través de los distribuidores de servicio autorizados de Snapper. La mayor parte de las reparaciones bajo garantía se atienden de manera rutinaria, pero algunas veces las solicitudes de reparaciones bajo garantía podrían no ser apropiadas. Esta garantía SÓLO cubre defectos en materiales y mano de obra. No cubre los daños ocasionados por un uso no adecuado o un mal uso, un mantenimiento o unas reparaciones inadecuadas ni el desgaste y la rotura propios del uso.

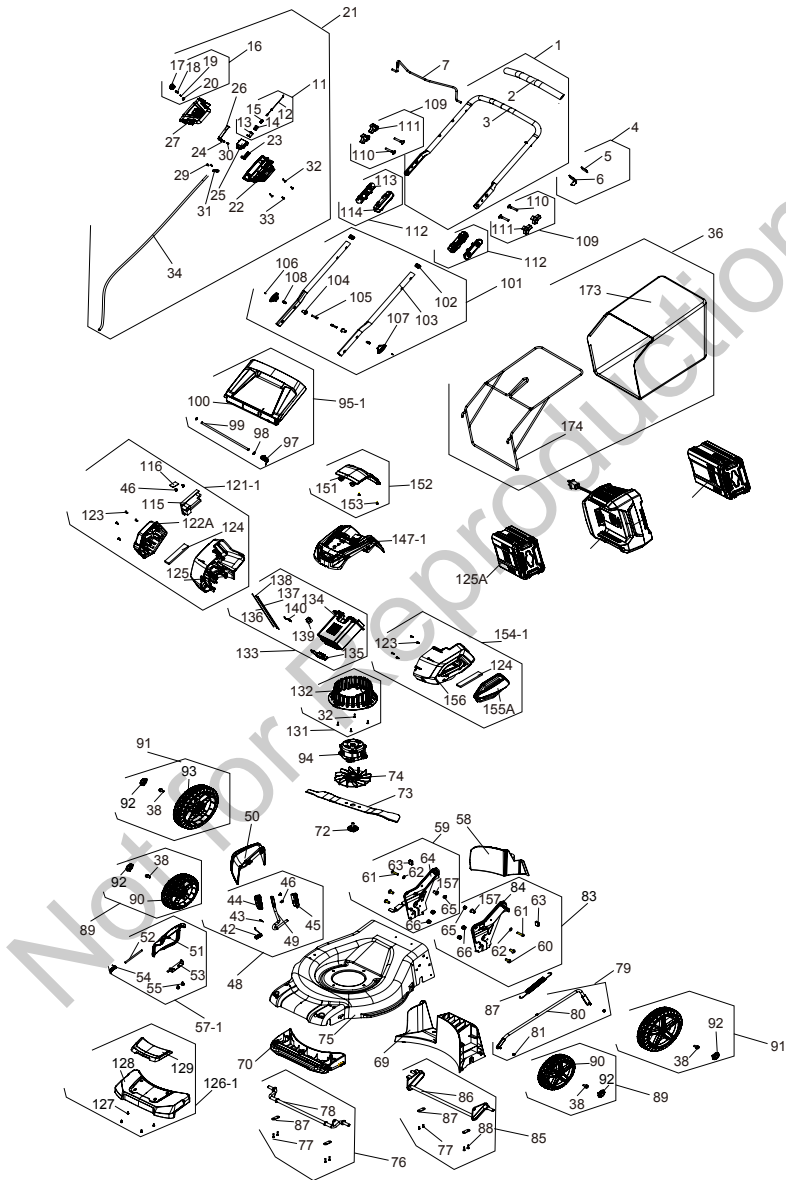
Uso no adecuado y mal uso: el uso correcto y para el que se ha diseñado este equipo se describe en el manual del usuario. Si el producto no se usa de la manera que se describe en el manual del usuario o si el producto se usa después de que haya resultado dañado, quedará anulada la garantía. La garantía queda anulada si se ha borrado el número de serie del producto o el producto ha sido modificado de alguna manera, o si el producto presenta indicios de haber sido usado incorrectamente, por ejemplo, daños producidos por un impacto o daños producidos por corrosión química/agua.

Mantenimiento o reparaciones inadecuadas: el producto debe someterse a labores de mantenimiento de acuerdo con los procedimientos y plazos establecidos en el manual del usuario, y para el mantenimiento y las reparaciones se deben utilizar piezas Briggs & Stratton originales o equivalentes. La garantía no cubre los daños ocasionados por la falta de mantenimiento o el uso de piezas no originales.

Desgaste normal: al igual que otros dispositivos mecánicos, el producto está sujeto a desgaste incluso si se realiza un mantenimiento correcto. Esta garantía no cubrirá la reparación cuando el uso normal haya agotado la vida útil de una pieza o del aparato. Los accesorios y elementos de mantenimiento como filtros, correas, hojas cortantes y pastillas de freno (excepto las pastillas de freno de los motores) no están cubiertos por la garantía por sus propias características, a no ser que la causa sea un defecto del material o de fabricación.

Otras exclusiones: esta garantía excluye cualquier daño provocado por accidente, uso incorrecto, modificaciones, alteraciones, mantenimiento incorrecto, congelación o deterioro producido por productos químicos. También excluye cualquier complemento o accesorio que no se incluyera en el paquete original del producto. Esta garantía no incluye equipos o motores usados, reacondicionados, de segunda mano o de demostración. Esta garantía excluye los fallos debidos a hechos fortuitos y a otros acontecimientos de fuerza mayor que escapan al control del fabricante.

# VISTA DESARROLLADA



# LISTA DE PIEZAS

ELEMENTO N°	PIEZA N°	DESCRIPCIÓN	QTD
1	770168	KIT, SUPERIOR MANGO, NA	1
2	-----	ESPONJA	1
3	-----	BARRA DE EMPUJE, ARRIBA	1
4	770170	KIT, STOP	1
5	-----	ESPONJA	1
6	-----	PIEZA, LÍMITE	1
7	770169	KIT, PALANCA	1
11	770171	KIT, CABLE MONTAJE	1
12	-----	LASSO, INICIO	1
13	-----	RESBALADOR	1
14	-----	ASIENTO, FIJO	1
15	-----	RESORTE	1
16	770173	KIT, BOTÓN	1
17	-----	BOTÓN, INICIO	1
18	-----	RESORTE	1
19	-----	JUNTA	1
20	-----	TORNILLO	1
21	770172	KIT, CAJA DE INTERRUPTORES COMPONENTE, NA	1
22	-----	CUBIERTA, ABAJO	1
23	-----	DESLIZADOR, INTERRUPTOR	1
24	-----	RESORTE	1
25	-----	INTERRUPTOR	1
26	-----	JUNTA, RÍGIDO	1
27	-----	CUBIERTA, ARRIBA	1
29	-----	TORNILLO	2
30	-----	EJE, PEQUEÑO	1
31	-----	JUNTA, LÍNEA DE Prensado	1
32	-----	TORNILLO	2
33	-----	TORNILLO	2
34	-----	CABLE	1
11	770171	KIT, CABLE MONTAJE	1
16	770173	KIT, BOTÓN	1
36	770182	KIT, BOLSA DE HIERBA	1
173	-----	BOLSA, PAÑO	1
174	-----	MARCO, BOLSA DE HIERBA	1

# LISTA DE PIEZAS

ELEMENTO N°	PIEZA N°	DESCRIPCIÓN	QTD
48	770180	MONTAJE, ALTURA DE AJUSTE DE LA BARRA,NA	1
42	-----	RESORTE	1
43	-----	PIN	1
44	-----	ESTRUCTURA, IZQUIERDA	1
45	-----	ESTRUCTURA, DERECHA	1
46	-----	TORNILLO	2
49	-----	ROB, AJUSTAR	1
50	770194	KIT, CANALETA	1
57-1	770193	KIT, CUBIERTA, NA	1
51	-----	CUBIERTA	1
52	-----	EJE	1
53	-----	STENTS	1
54	-----	RESORTE	1
55	-----	PERNO	2
58	770183	KIT, ENCHUFE	1
59	770178	KIT, DERECHO SOPORTE, NA	1
60	-----	PERNO	2
61	-----	PERNO	1
62	-----	JUNTA	1
63	-----	PLUG, GOMA	1
64	-----	ALTURA DE AJUSTE, DERECHO	1
65	-----	TUERCA	1
66	-----	TUERCA	2
157	-----	BLOQUEO	1
69	770205	KIT, TRASERA DIVISIÓN	1
70	770206	KIT, DELANTERO DIVISIÓN	1
72	770190	KIT, PERNO	1
73	770191	KIT, HOJA	1
74	770199	KIT, ASPIRADOR	1
75	770204	KIT, DECK	1
76	770186	KIT, DELANTERO EJE	1
77	-----	TORNILLO	4
78	-----	EJE, DELANTERO	1
87	-----	TABLETA	2
79	770185	KIT, ALTURA DE AJUSTE	1

# LISTA DE PIEZAS

ELEMENTO N°	PIEZA N°	DESCRIPCIÓN	QTD
80	-----	BARRA, CONEXIÓN	1
81	-----	TUERCA	2
82	770189	KIT, PRIMAVERA	1
83	770179	KIT, IZQUIERDO SOPORTE	1
84	-----	ALTURA DE AJUSTE, IZQUIERDO	1
60	-----	PERNO	2
61	-----	PERNO	1
62	-----	JUNTA	1
63	-----	PLUG, GOMA	1
65	-----	TUERCA	1
66	-----	TUERCA	2
157	-----	BLOQUEO	1
85	770184	KIT, TRASERA EJE	1
86	-----	EJE, 21 " TRASERA	1
87	-----	TABLETA	2
88	-----	TORNILLO	2
77	-----	TORNILLO	2
89	770188	KIT, 8 " RUEDA	1
90	-----	RUEDA, 8"	1
92	-----	CUBIERTA DE LA RUEDA	1
38	-----	PERNO	1
40	-----	JUNTA, 80V	1
91	770187	KIT, 10 " RUEDA	1
92	-----	CUBIERTA DE LA RUEDA	1
93	-----	RUEDA DE 10"	1
38	-----	PERNO	1
40	-----	JUNTA, 80V	1
94	770174	KIT, MOTOR	1
95-1	770181	KIT, CUBIERTA TRASERA MONTAJE, NA	1
97	-----	RESORTE	1
98	-----	CHAVETA	2
99	-----	EJE	1
100	-----	CUBIERTA, TRASERO	1
101	770177	KIT, BAJO MANGO	1
102	-----	PLUG, GOMA	1

# LISTA DE PIEZAS

ELEMENTO N°	PIEZA N°	DESCRIPCIÓN	QTD
103	-----	ROB, EMPURRE HACIA ABAJO	1
104	-----	BLOQUEO	1
105	-----	COLUMNA DE LÍMITE	1
106	-----	PIN	1
107	-----	LLAVE	1
108	-----	RESORTE	1
109	770175	KIT, HARDWARE	1
110	-----	PERNO	1
111	-----	LLAVE	1
112	770176	KIT, CAJA, FIJO	1
113	-----	CUERPO PRINCIPAL, CAJA FIJA	1
114	-----	CUBIERTA, CAJA FIJA	1
115	770203	KIT, PCB	1
116	-----	SENSOR	1
117	-----	PCB DE 21"	1
46	-----	TORNILLO	2
121-1	770197	KIT, DERECHA CUBIERTA, NA	1
122A	-----	CUBIERTA LATERAL, DERECHA	1
123	-----	TORNILLO	4
124	-----	PANTALLA DE POLVO	1
125	-----	CUERPO PRINCIPAL, DERECHO	1
126-1	770477	KIT, DELANTERO PANEL, NA	1
127	-----	TORNILLO	4
128	-----	CUERPO PRINCIPAL, PARACHOQUES	1
129	-----	CUBIERTA, PARACHOQUES	1
131	770200	KIT, BASE	1
132	-----	BASE	1
32	-----	TORNILLO	4
133	770196	KIT, MONTAJE COMPARTIMENTO DE LA BATERÍA, NA	1
134	-----	CAVIDAD, BATERÍA	1
135	-----	INSERTAR	1
136	-----	CABLE, ROJO	33cm
137	-----	CABLE, AMARILLO	33cm
138	-----	CABLE, NEGRO	33cm
139	-----	CONCHA	1

# LISTA DE PIEZAS

ELEMENTO N°	PIEZA N°	DESCRIPCIÓN	QTD
140	-----	TERMINAL	3
143	770202	KIT, BOTÓN	1
144	-----	EJE	1
145	-----	BOTÓN	1
146	-----	RESORTE	1
147-1	770201	KIT, TOPO CUBIERTA, NA	1
152	770195	KIT, CUBIERTA DE LA BATERÍA	1
151	-----	COMPUERTA DE LA BATERÍA	1
153	-----	TORNILLO	2
154-1	770198	KIT, IZQUIERDA CUBIERTA, NA	1
155A	-----	CUBIERTA, LADO IZQUIERDO	1
156	-----	ALOJAMIENTO PRINCIPAL, IZQUIERDO	1
123	-----	TORNILLO	4
124	-----	PANTALLA DE POLVO	1
125A	1760266	KIT, CARCASA IZQUIERDA, NA	1
126A	1760263	BATERÍA, 2AH, NA (OPCIONAL)	1
127A	1760265	CARGADOR RÁPIDO, NA (OPCIONAL)	1



**Briggs & Stratton Power Products Group, LLC**  
**P.O. Box 702**  
**Milwaukee, WI 53201**

**LÍNEA DE AYUDA GRATUITA: 1-800-317-7833**