

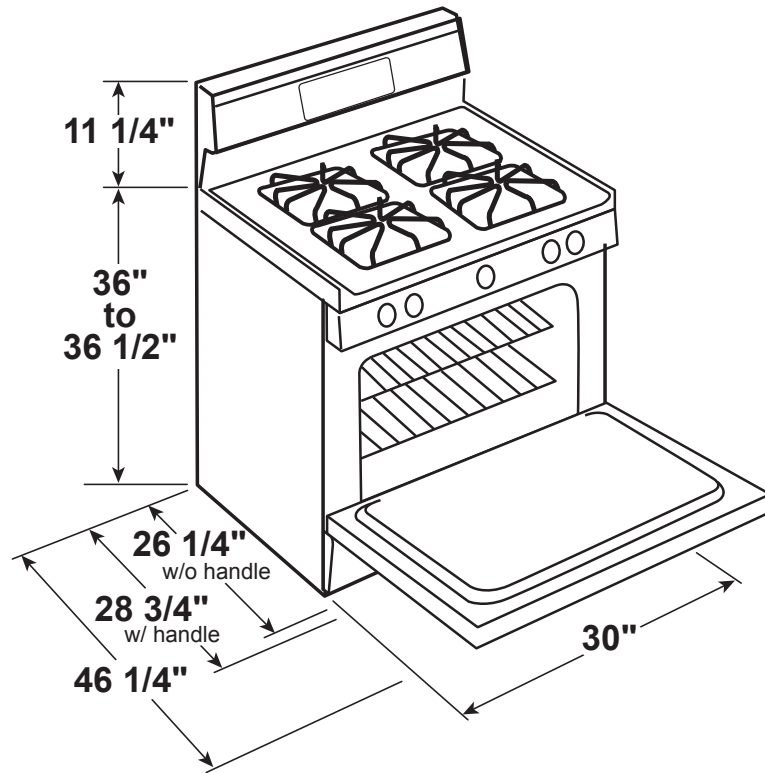
JGB735SP/EP/FP/DP

GE® 30" Free-Standing Gas Convection Range with Air Fry

DIMENSIONS AND INSTALLATION INFORMATION (IN INCHES)

ELECTRICAL RATING: 120V, 60Hz, 15A

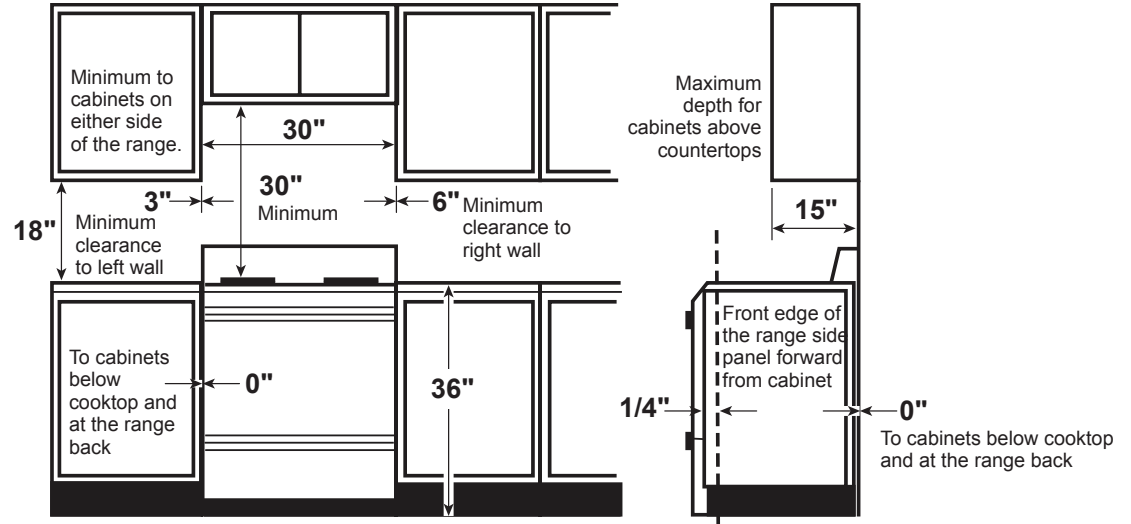
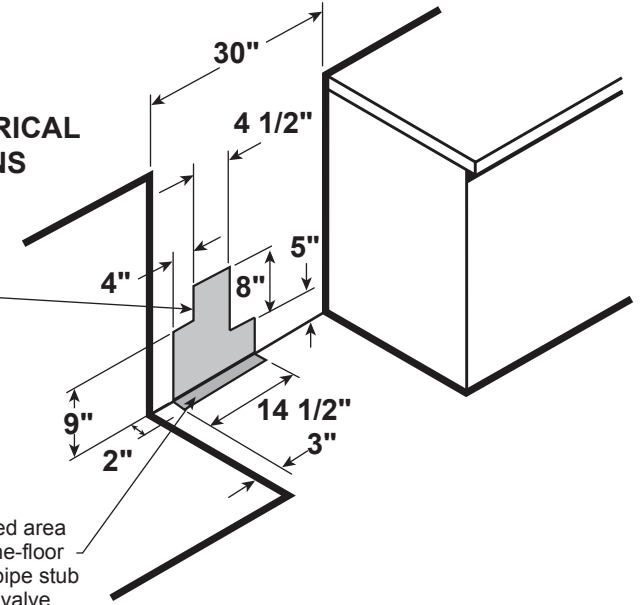
INSTALLATION INFORMATION: Before installing, consult installation instructions packed with product for current dimensional data.



AS PIPE AND ELECTRICAL OUTLET LOCATIONS

Recommended area for 120V outlet on rear wall and area for through-the-wall connection of pipe stub and shut-off valve.

Recommended area for through-the-floor connection of pipe stub and shut-off valve.



For answers to your Monogram, GE Café™ Series, GE Profile™ Series or GE Appliances product questions, visit our website at geappliances.com or call GE Answer Center® Service, 800.626.2000.



All GE Appliances ranges are equipped with an Anti-Tip device. The installation of this device is an important, required step in the installation of the range.

JGB735SP/EP/FP/DP

GE® 30" Free-Standing Gas Convection Range with Air Fry

FEATURES AND BENEFITS

Hot Air Frying – Integrated hot air frying technology gives you crispy results in your oven without using oil

Edge-to-Edge Cooktop – Continuous, edge-to-edge cooktop give you a large cooking space and can handle any cookware.

Integrated Griddle – This integrated non-stick griddle leads the industry in size and quality, so you can cook a lot of food at once.

Power Boil Burner – This 18,000-BTU power boil element produces intense heat to boil water fast.

Convection – This gas convection oven cooks and browns more evenly, using a rear fan to circulate hot air.

Self-Clean with Steam Clean – This self-cleaning oven uses optional steam cleaning for light soils to clean the oven cavity with less heat and odor.

Center Oval Burner – This center oval burner gives you a fifth burner and the perfect place to use griddles or odd-size cookware.

Heavy Duty, Dishwasher-Safe Grates – These cooktop grates can be cleaned one of two ways – either in the dishwasher, or on the bottom of a self-clean oven.

Large Capacity Oven – Cook an entire meal at once with a 5.0 cubic foot oven which provides enough room for multiple dishes.

Optional Roller Rack – An optional roller rack which makes removing heavy or odd-size cookware easy and safe.

Removable Storage Drawer – A full-width drawer provides space for kitchen accessory and cookware storage for added convenience in the kitchen.

Model JGB735SPSS – Stainless Steel

Model JGB735EPES – Slate

Model JGB735FPDS – Black Slate

Model JGB735DPWW – White

Model JGB735DPBB – Black

