

## Features

- Vertically adjustable 3x magnifying mirror on inside of door.
- Two adjustable glass shelves.
- Full-overlay mirrored door.
- Mirrored interior.
- Two-way adjustable hinges with 108-degree opening capability for easy cabinet access.
- Can be installed with left- or right-hand swing.
- Includes side mirror kit for surface mount installation.

## Material

- Anodized aluminum construction with a durable rust-free and chip-free finish.

## Installation

- Includes mounting hardware for surface or recessed installation.

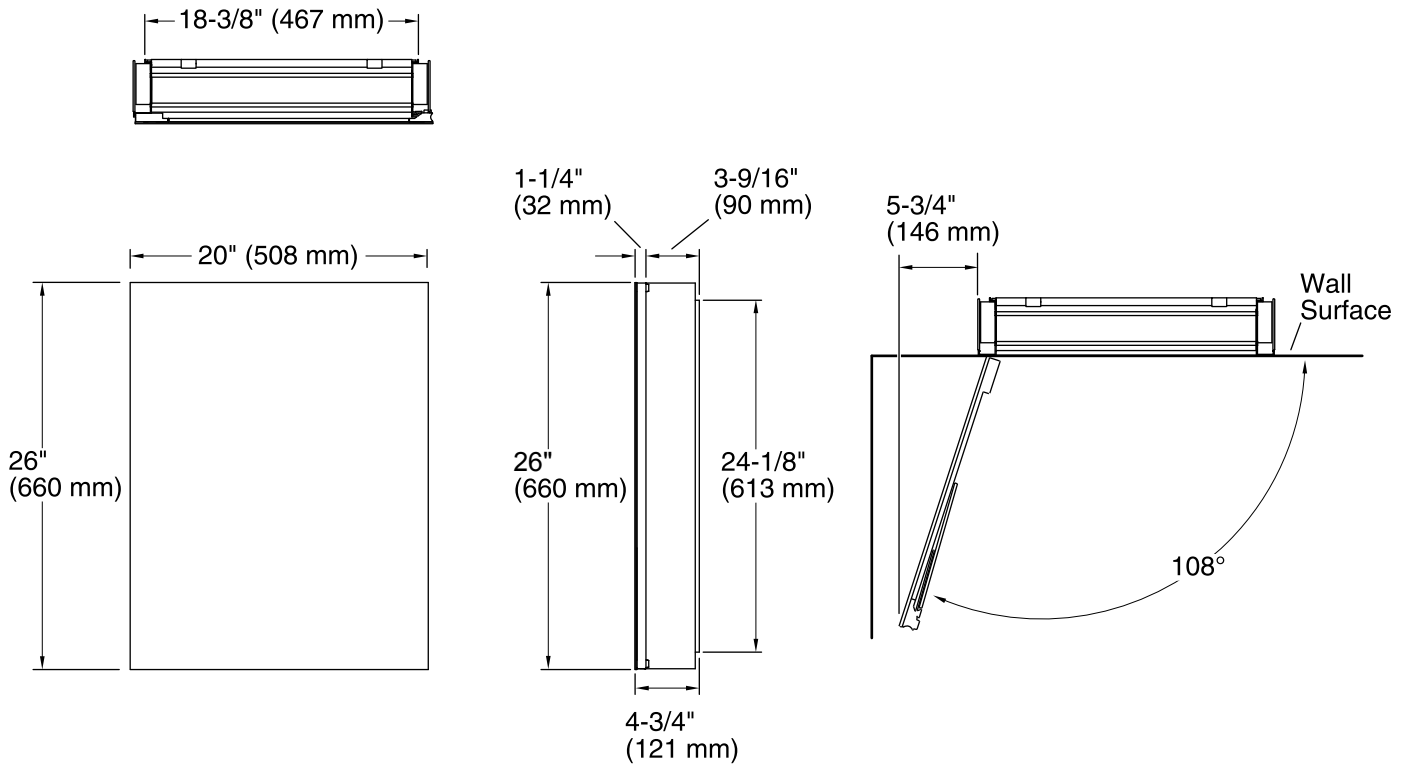


## Codes/Standards

None Applicable

## KOHLER® One-Year Limited Warranty

See website for detailed warranty information.



## Technical Information

All product dimensions are nominal.

## Notes

Install this product according to the installation guide.

**CAUTION:** Risk of electric shock. Electrical wiring may need to be relocated.

**IMPORTANT!** For recess mounting, the wall cavity must be framed and cabinet secured to framing studs. Reroute any electrical wires or water supply piping from the wall cavity. If you encounter drain or vent piping, or if your wall is load-bearing, consult a professional before proceeding.

**CAUTION:** Risk of property damage. For surface mounting, use anchors (not provided) rated for the loaded weight of this product. Refer to the anchor manufacturer's instructions.

When determining the height of the cabinet, ensure the mirrored door will clear all obstacles (such as a faucet). A minimum distance of 3" (76 mm) is required.

This cabinet is designed for either right or left door swing. Check for obstructions.