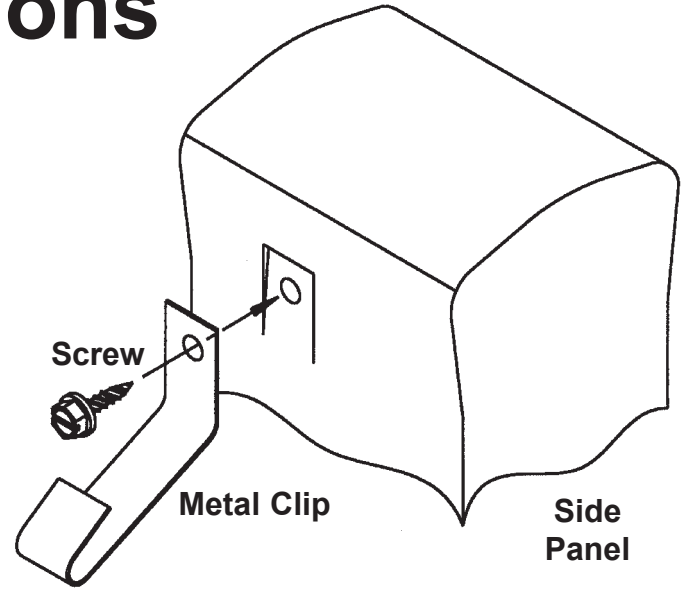


# Attachment Instructions

## for *SCAPEWEL*® Cover Clips

Six (6) metal clips with 1/2" screws are provided. Indents are molded into the outside top of each side panel for clip attachment. Attach Clips as follows:

- 1** Using a 3/32" size drill bit, pre-drill a hole at each indent location. Position the clip in the indent as shown to mark the hole location.
- 2** Attach clips as shown.
- 3** "SNAP" the clips ends over the lip of the Cover.



**For Emergency Egress: Place both hands in the center of cover and push up and away from the house. Make sure everyone in the household understands how the cover is removed.**



*Building on Our Tradition*™