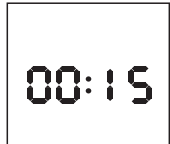




## Assembly Instruction

Furinno Turn-S-Tube Simplistic Entertainment Center

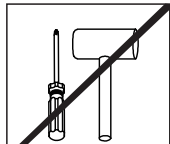
MODEL : 17046



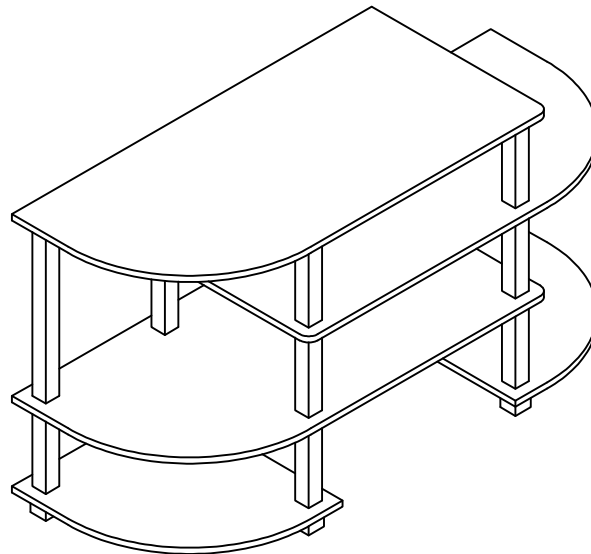
Approx. 15 minutes



Recomm. 1 Person



No Tools Required





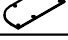


### Customer Support

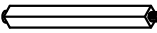
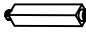

**NEED HELP?** For replacement requests or product inquiries, please contact our Customer Service Team by emailing us at [support@furinno.com](mailto:support@furinno.com). Thank you for selecting Furinno!

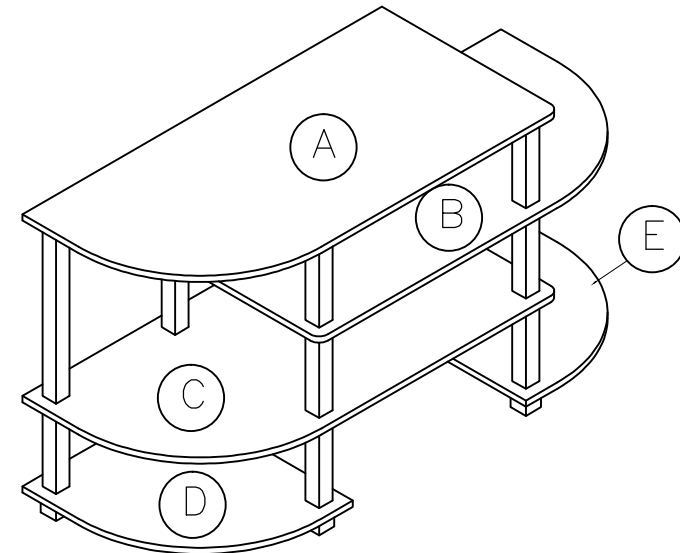
[www.furinno.com](http://www.furinno.com)



## HARDWARE & PART LIST

NO	PARTS LIST	QTY
A	TOP PANEL 	1pc
B	SECOND PANEL 	1pc
C	THIRD PANEL 	1pc
D	BOTTOM LEFT PANEL 	1pc
E	BOTTOM RIGHT PANEL 	1pc

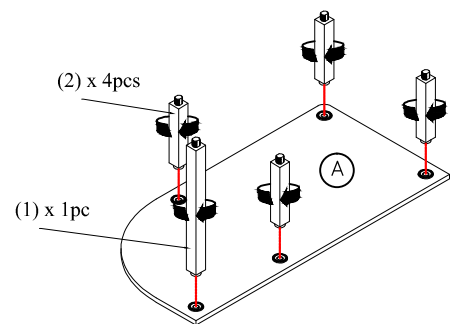
NO	HARDWARE	QTY
1	LONG SQUARE POLE 	2pcs
2	SHORT SQUARE POLE 	13pcs
3	SQUARE LEG 	6pcs



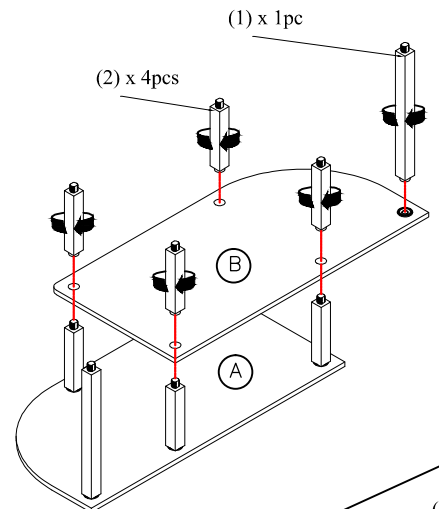
### USEFUL HINTS BEFORE YOU START:

1. Read each step carefully before starting.
2. It is important that each step is performed in correct order to avoid difficulties.
3. Identify, sort and count the parts before assembly.
4. Assemble your furniture on packaging cardboard to prevent scratch or damage.
5. Clean the product with mild cleanser using soft damped cloth. Do not use harsh or abrasive cleanser.
6. Using incompatible hardware might cause damage to product.

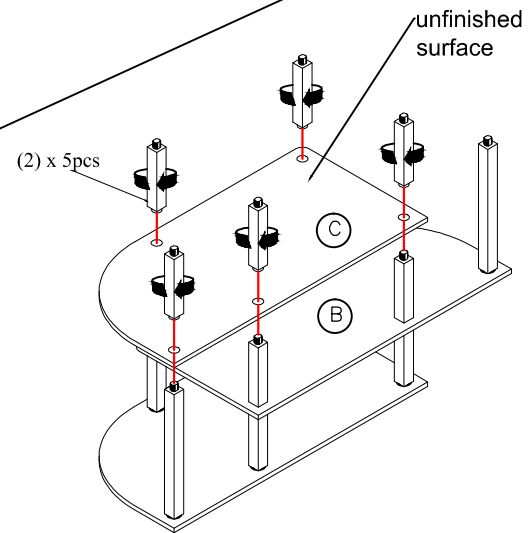
STEP 1



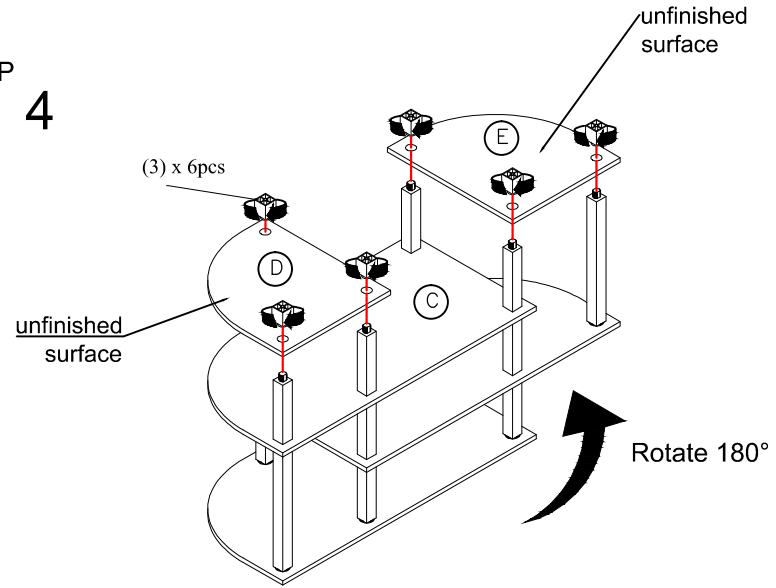
STEP 2



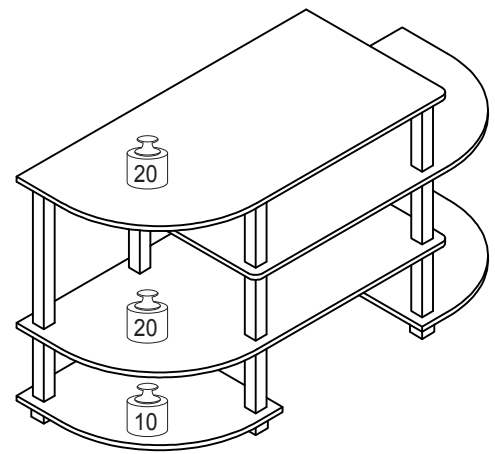
STEP 3



STEP 4



Recommended Maximum Weight



\*Unit in Pound(lbs)

**WARNING:**

>This unit has been designed to support the maximum loads shown. Exceeding these load limits could cause sagging, instability, product collapse, and/or serious injury.

>DO NOT allow children to climb on unit.