

Features

- Premium composite-stone top with sink offers a complete vanity solution and decorative design.
- One-door, four-drawer configuration.
- Includes a removable heat-resistant silicone appliance organizer for maximizing drawer storage.
- Removable spill tray inside cabinet for easy cleaning and organization.
- Full-extension, slow-close drawer slides for access to the entire drawer.
- Vanity drawers hold up to 200 lb.
- Slow-close door hinges with 105-degree opening capability for easy cabinet access.
- Pre-drilled 8" widespread faucet holes (faucet sold separately).
- Finished matched cabinet interior.
- Includes decorative brushed nickel hardware.
- Coordinates with Rubicon™ faucets and accessories.

Material

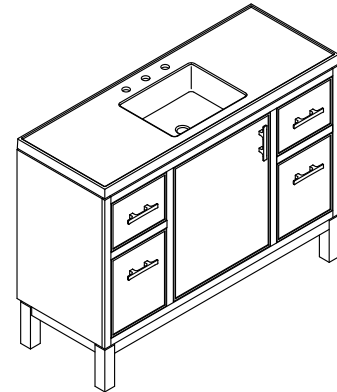
- Composite-stone top.
- Durable vanity finish resists moisture, scratches and stains.

Installation

- Some assembly required.
- Includes leg levelers.

Included Components

Additional Components:
Leg levelers



Codes/Standards



CSA B45.5/IAPMO Z124
EPA TSCA Title VI
CARB P2

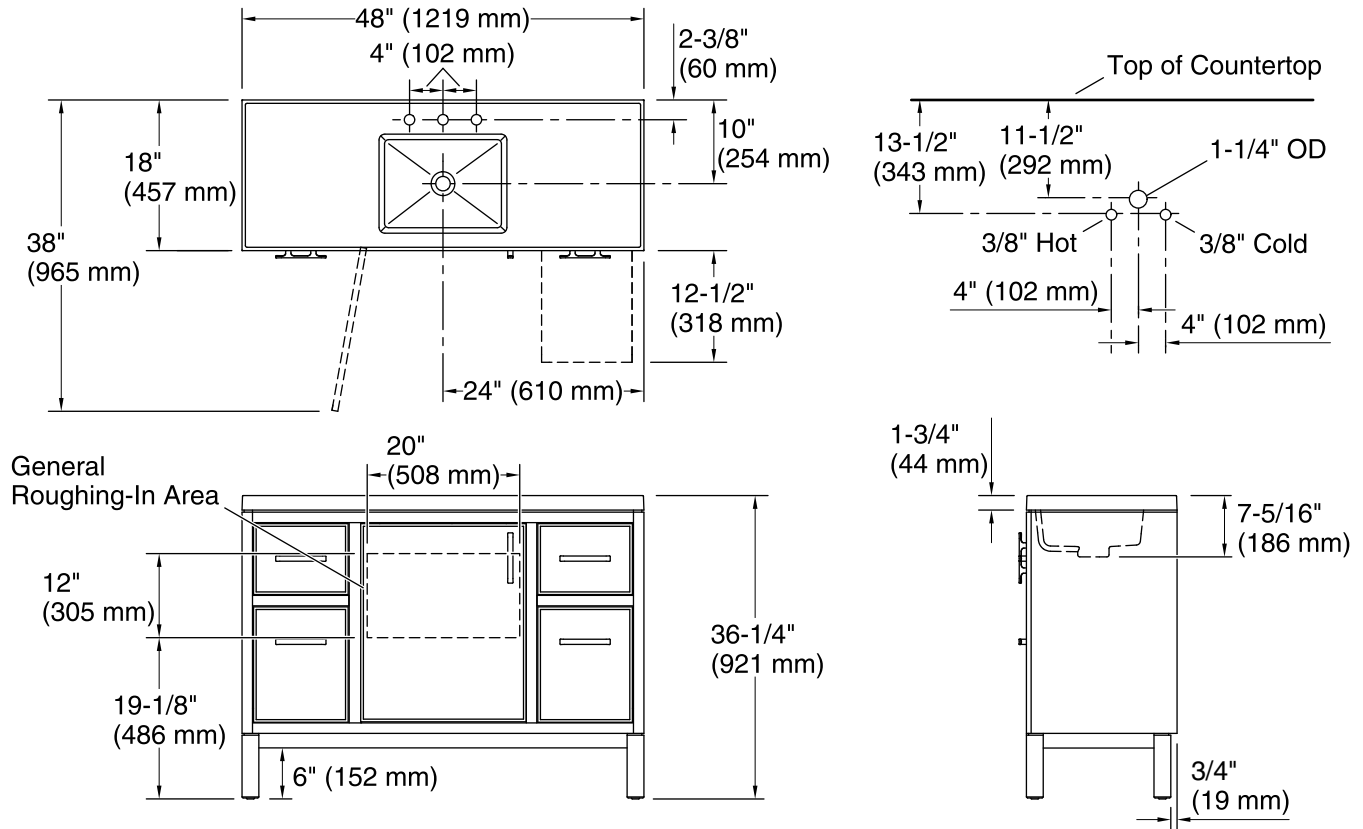
KOHLER® One-Year Limited Warranty

See website for detailed warranty information.

Available Colors/Finishes

Color tiles intended for reference only.

Color	Code	Description
	0	White
	1WT	Mohair Grey



Technical Information

All product dimensions are nominal.

Vanity type: Standard

Notes

Install this product according to the installation instructions.

Select the type of fastener based upon the wall material. Two 250 lb (113.4 kg) minimum load bearing fasteners are recommended.

Install the fasteners to stud framing to avoid possible property and product damage.

When possible, provide 2x6 bracing behind the finished wall for additional support.