

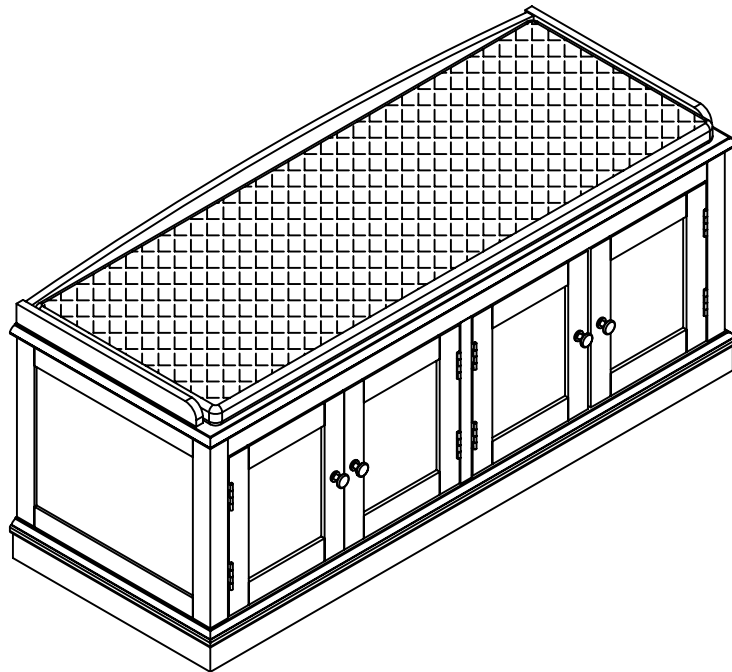
HOME DECORATORS COLLECTION

INV# 77217

SK18118R1 LAUGHLIN STORAGE BENCH 20.5"Hx47.4"Wx18"D

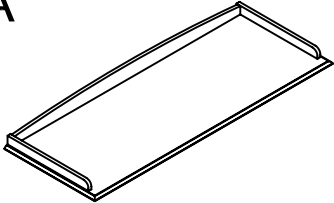
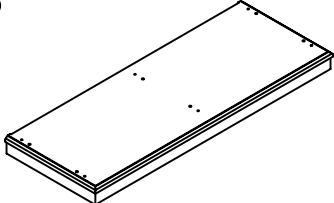
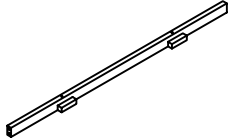
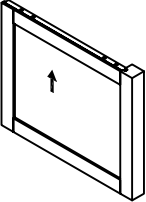
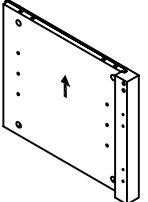
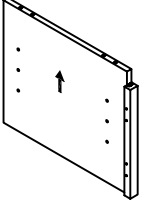
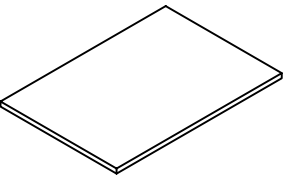
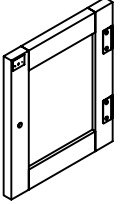
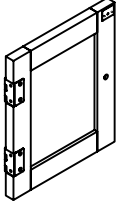
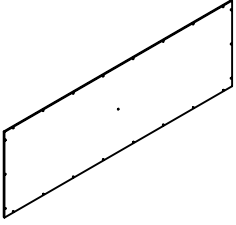
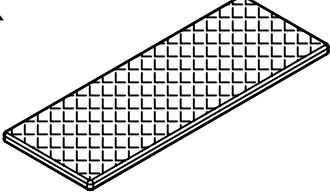
ASSEMBLY INSTRUCTIONS


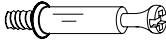



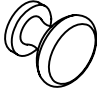



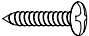


Made In China



Thank you for purchasing this quality product. Be sure to check all packing material carefully for small parts, which may have come loose inside the carton during shipment. Count all parts and material hardware, then compare with parts list to be sure all parts are present. If any parts are missing or damaged, please contact our Customer Service Department for efficient and speedy service. Please indicate the model number and code letter of part(s) needed.

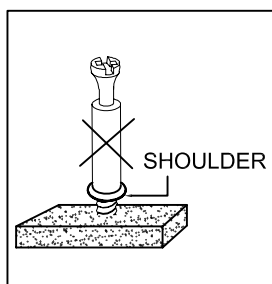
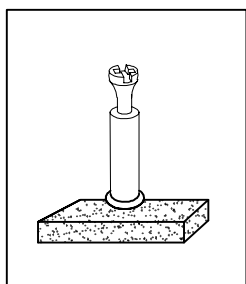
IMPORTANT NOTE: Follow instructions listed below in proper sequence as numbered to assure fast, easy and correct assembly.

PARTS LIST		
A 	B 	C 
TOP PANEL-1PC	BOTTOM PANEL-1PC	FRONT CROSS BRACE-1PC
D 	E 	F 
LEFT SIDE PANEL-1PC	RIGHT SIDE PANEL-1PC	PARTITION-1PC
G 	H 	I 
ADJUSTABLE SHELF -2PCS	LEFT DOOR -2PCS	RIGHT DOOR -2PCS
J 	K 	
BACK PANEL -1PC	CUSHION-1PC	

<p>a</p>  <p>WOOD DOWEL 16PCS</p>	<p>b</p>  <p>CAM LOCK BOLT-12PCS</p>	<p>c</p>  <p>CAM LOCK 12PCS</p>
<p>d</p>  <p>1/2"L ROUND HEAD SCREW-23PCS</p>	<p>e</p>  <p>LONG FLAT HEAD SCREW 2PCS</p>	<p>f</p>  <p>KNOB 4PCS</p>
<p>g</p>  <p>KNOB BOLT 4PCS</p>	<p>h</p>  <p>1/2"L FLAT HEAD SCREW 16PCS</p>	<p>i</p>  <p>MAGNET 2PCS</p>
<p>j</p>  <p>5/8"L ROUND HEAD SCREW 4PCS</p>	<p>k</p>  <p>SHELF PIN 8PCS</p>	<p>l</p>  <p>PLASTIC COVER 12PCS</p>

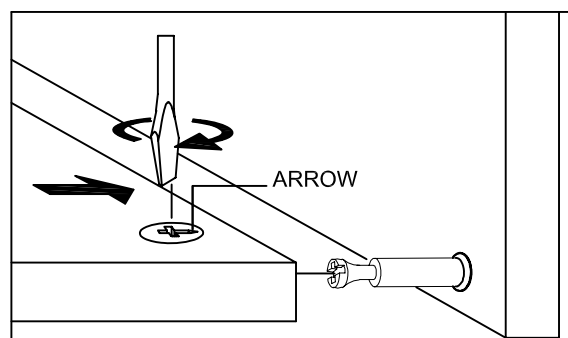
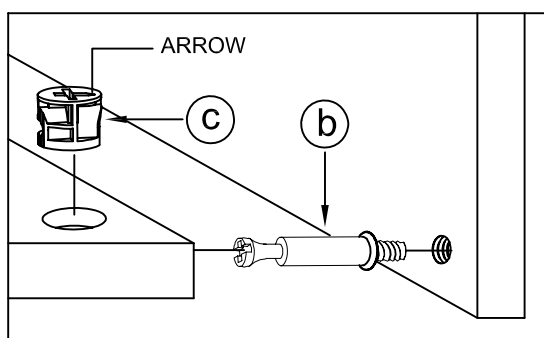
NOTE:THE SURFACE WITH THE STICKER IS THE BACK SIDE.

NOTE: • UPON OPENING, THOROUGHLY CLEAN ALL WOOD SURFACES TO REMOVE DUST AND DIRT THAT MAY HAVE SETTLED ONTO THE FINISH DURING SHIPMENT. IN ORDER TO PREVENT DAMAGE DURING ASSEMBLY. PLEASE ASSEMBLE THIS ITEM WITH AT LEAST TWO PEOPLE.



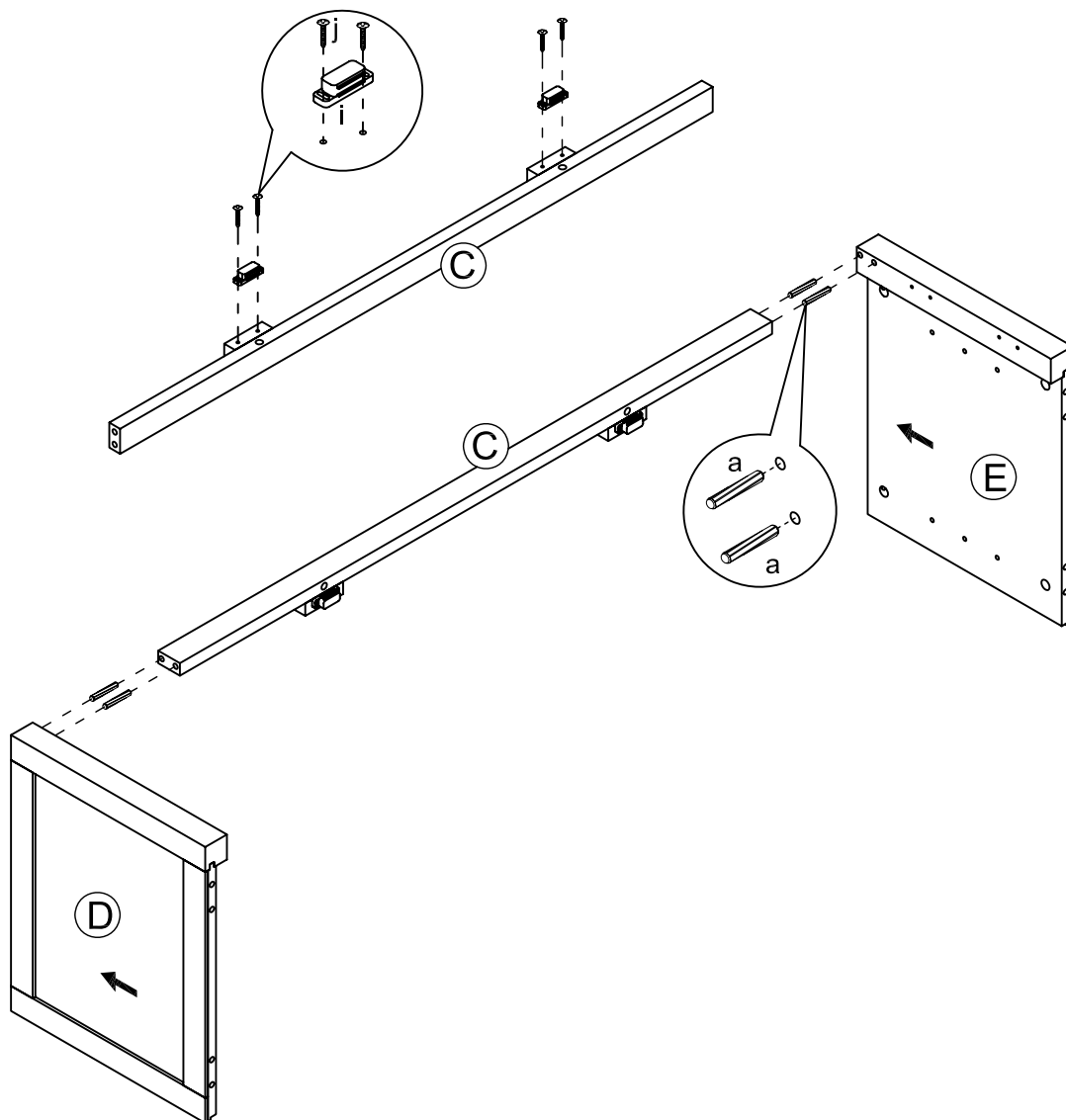
NOTE: TURN THE CAM-BOLT SCREWS UNTIL THEY ARE TIGHT, THE SHOULDER SHOULD BE AGAINST THE SURFACE OF THE PART.

HOW TO USE THE CAM-TOOL



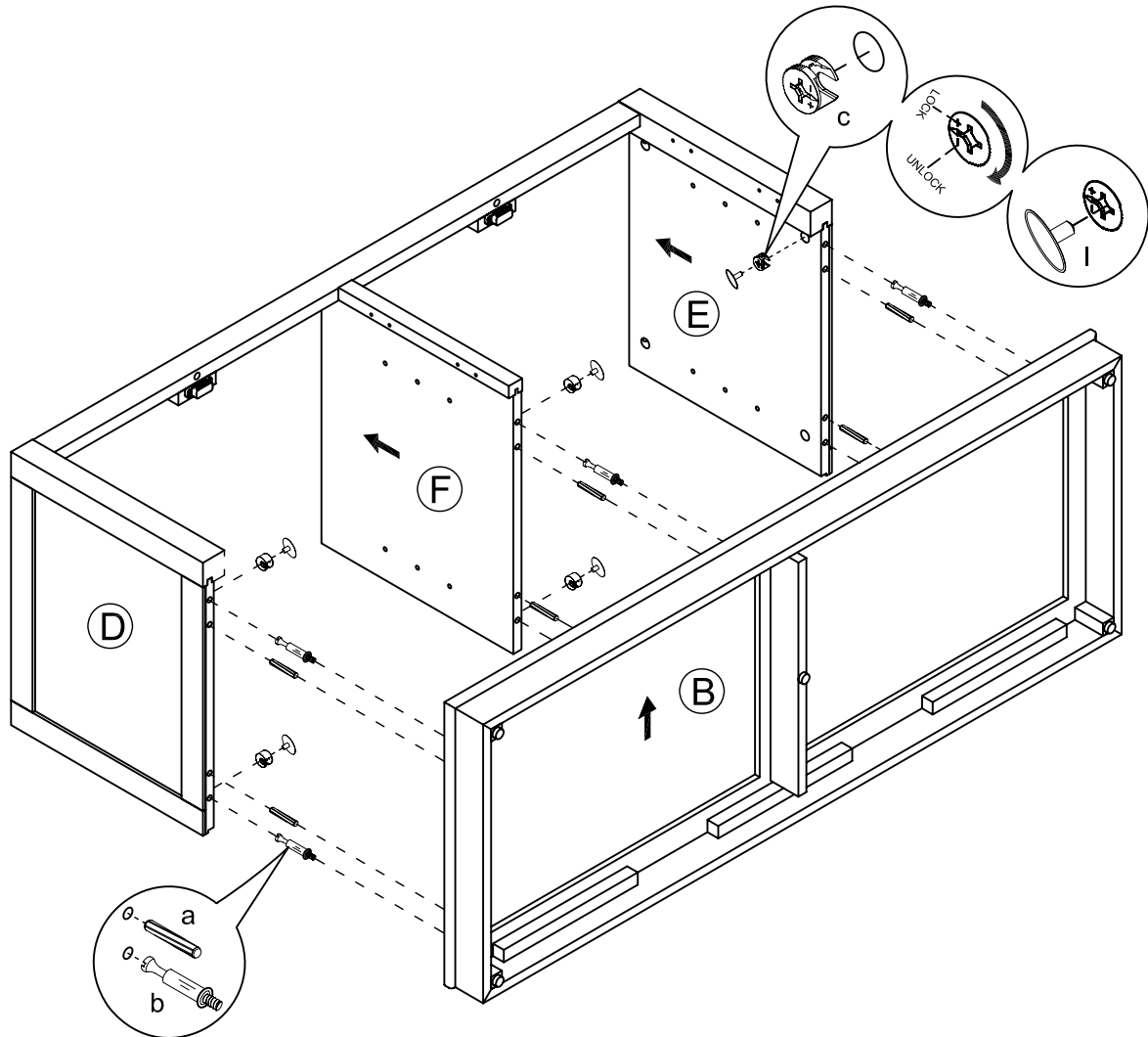
NOTE: • THE ARROWS ON THE HIDDEN CAM-LOCKS SHOULD POINT TO THE CAM-BOLTS.

FIG 1



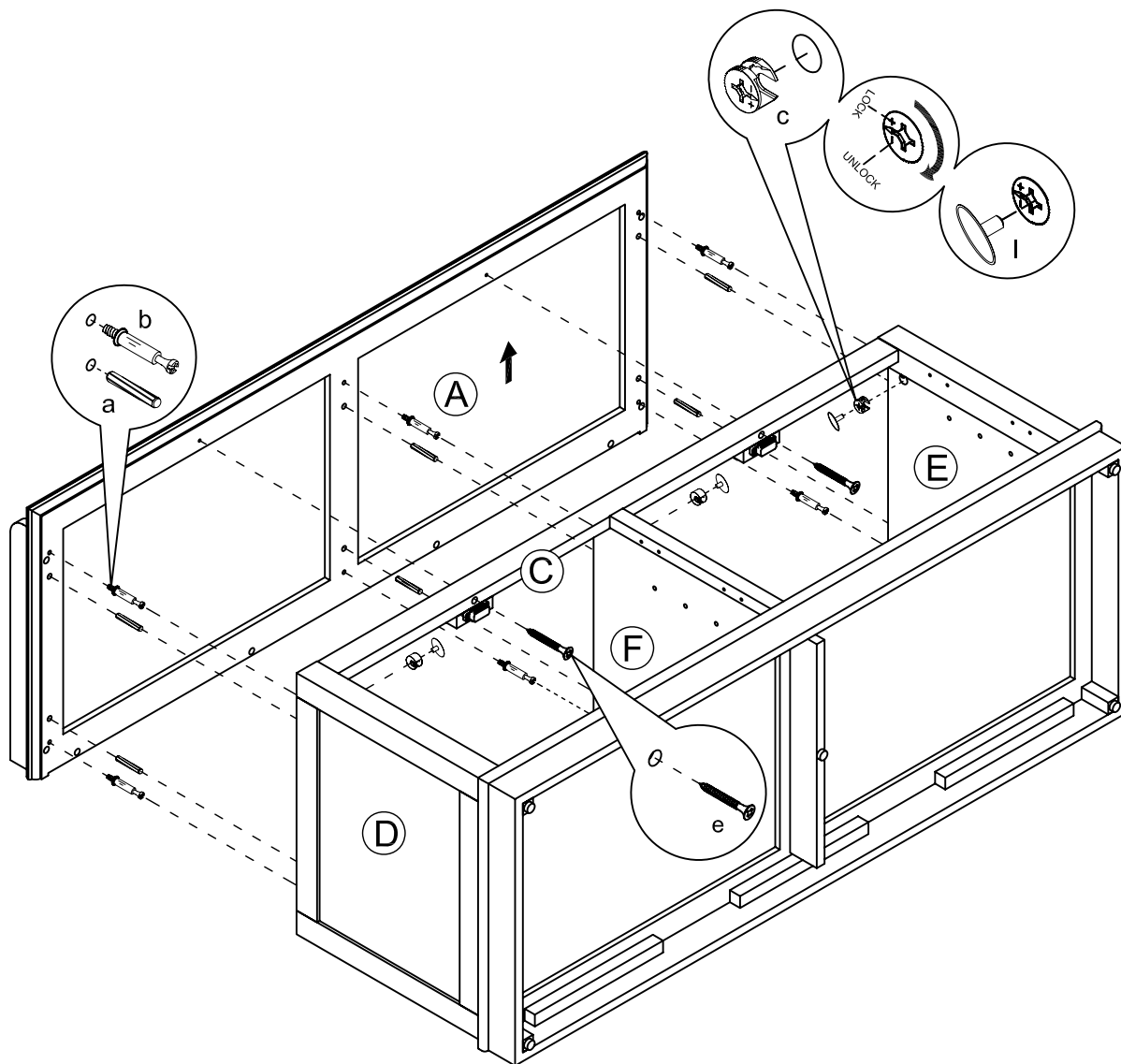
- ATTACH THE MAGNET (i) ONTO BOTTOM OF THE FRONT CROSS BRACE (C) BY USING THE 5/8" L ROUND HEAD SCREW (j).
- INTALL THE WOOD DOWEL (a) INTO THE LEFT SIDE PANEL (D) AND THE RIGHT SIDE PANEL (E).
- JOIN THE FRONT CROSS BRACE (C) TO THE LEFT SIDE PANEL (D) AND THE RIGHT SIDE PANEL (E).

FIG 2



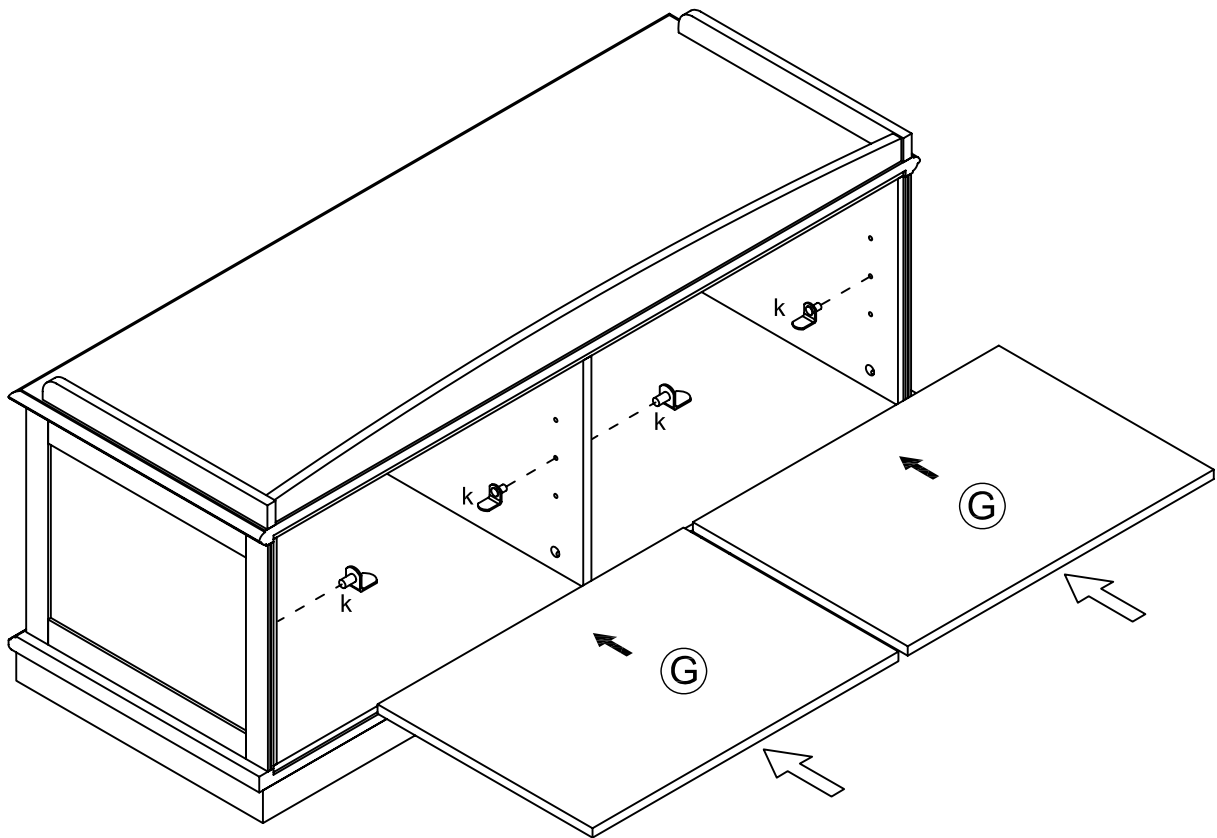
- INSTALL THE WOOD DOWEL (a) AND THE CAM LOCK BOLT (b) INTO THE BOTTOM PANEL (B).
- JOIN THE BOTTOM PANEL (B) TO THE LEFT SIDE PANEL (D) ,THE RIGHT SIDE PANEL (E) AND THE PARTITION (F) BY USING WOOD DOWEL (a) FIRST.
- TIGHTEN THE CAM LOCK BOLT (b) WITH THE CAM LOCK (c) FROM PRE-DRILLED HOLES.
- COVER THE CAM HOLES WITH PLASTIC COVER (I).

FIG 3



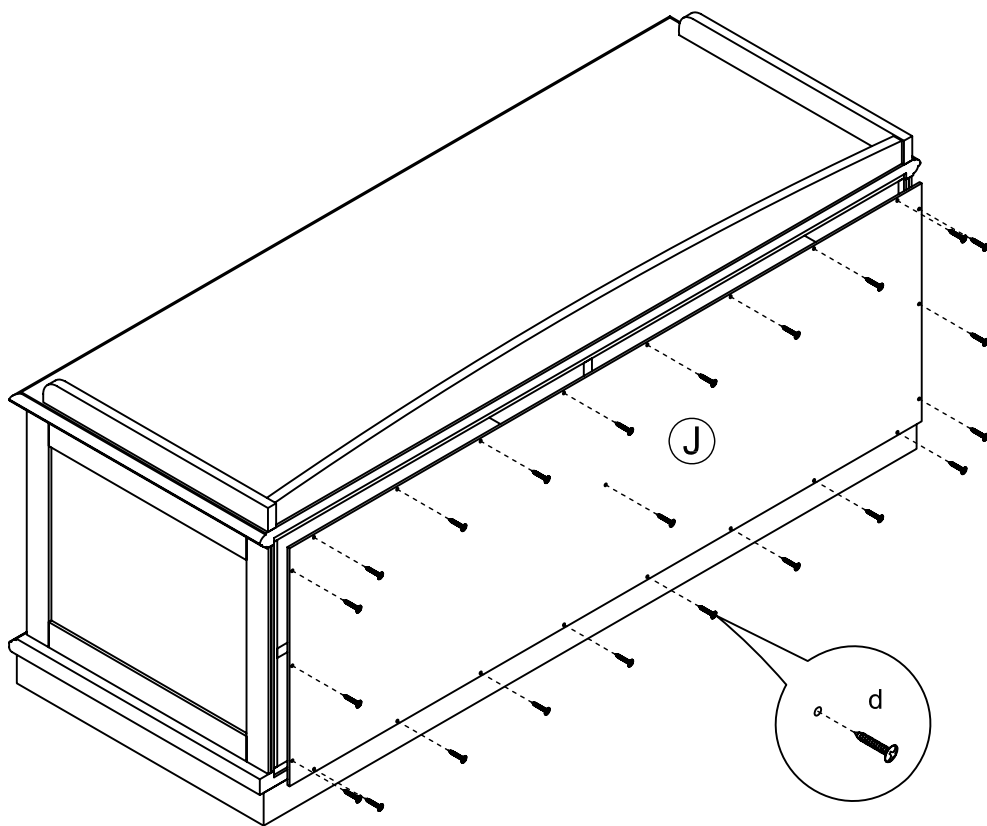
- INSTALL THE WOOD DOWEL (a) AND THE CAM LOCK BOLT (b) INTO THE TOP PANEL (A).
- JOIN THE TOP PANEL (A) TO THE ASSEMBLED PART BY USING WOOD DOWEL (a) FIRST.
- TIGHTEN THE CAM LOCK BOLT (b) WITH THE CAM LOCK (c) FROM PRE-DRILLED HOLES.
- COVER THE CAM HOLES WITH PLASTIC COVER (I).
- TIGHTEN THE FRONT CROSS BRACE (C) TO THE TOP PANEL (A) BY USING THE LONG FLAT HEAD SCREW (e).

FIG 4



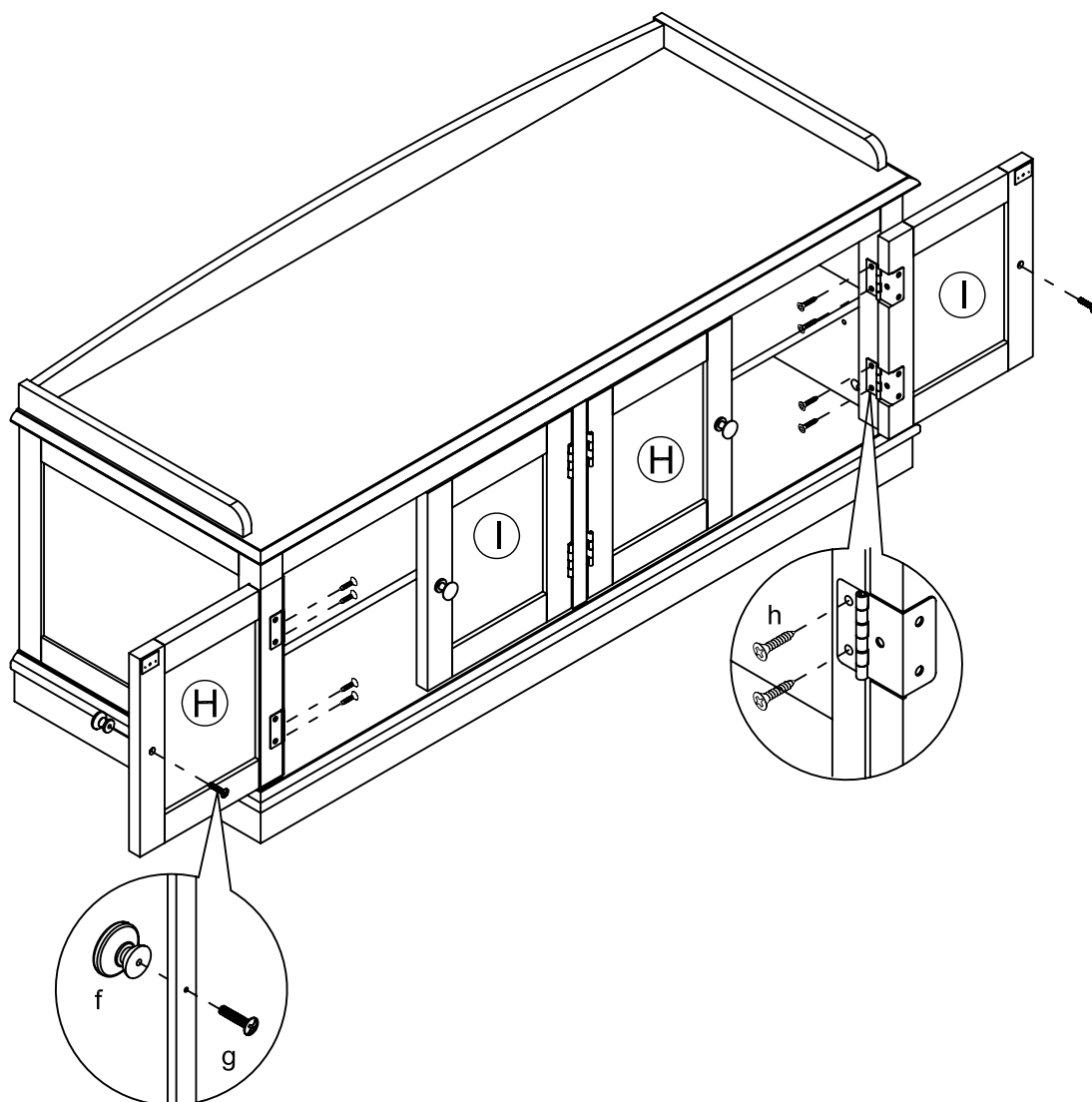
- INSERT THE SHELF PIN (k) IN DESIRED POSITION AND PLACE THE ADJUSTABLE SHELF (G) ABOVE THE SHELF PIN (k).

FIG 5



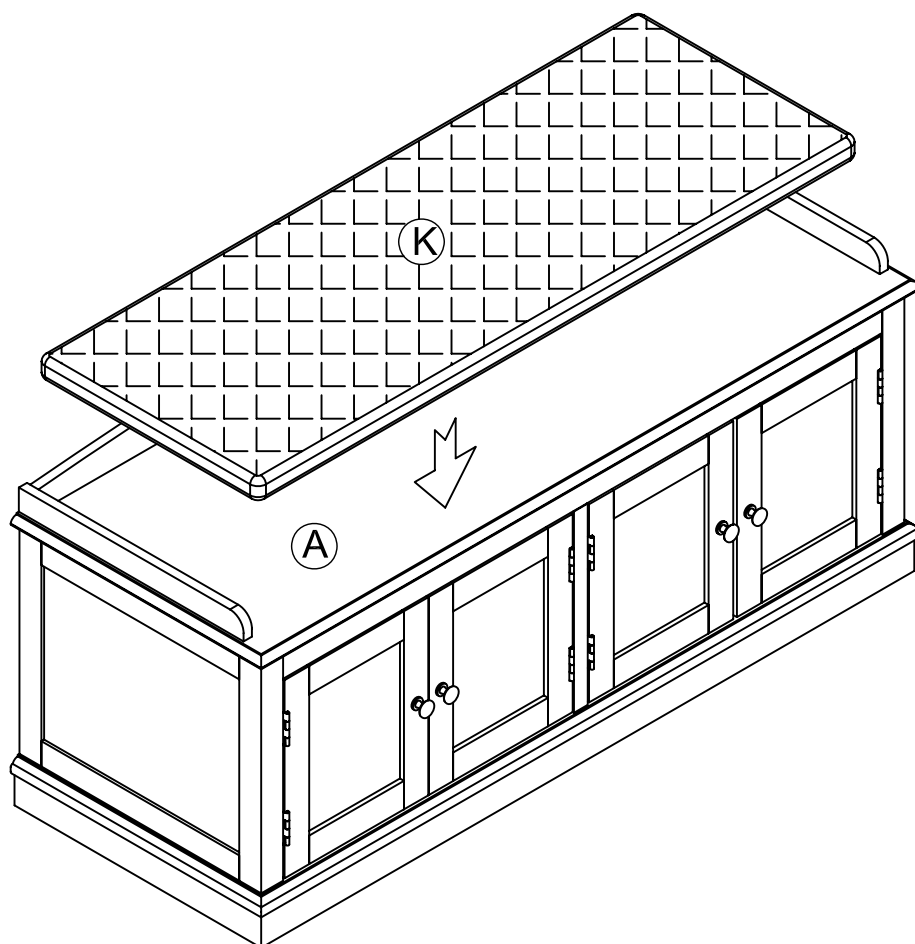
- TIGHTEN THE BACK PANEL (J) TO THE ASSEMBLED PART BY USING THE 1/2"L ROUND HEAD SCREW (d).

FIG 6



- ATTACH THE LEFT DOOR (H) AND THE RIGHT (I) DOOR TO THE ASSEMBLED PART BY USING 1/2" FLAT HEAD SCREW (h).
- TIGHTEN THE KNOB (f) TO THE LEFT DOOR (H) AND THE RIGHT (I) BY USING THE KNOB BOLT (g).

FIG 7



- PLACE THE CUSHION (K) ONTO THE TOP PANEL (A).