



Item #1002 586 860
Model #14601

USE AND CARE GUIDE

MENAGE LED 52 INCH CEILING FAN

Questions, problems, missing parts? Before returning to the store,
call Home Decorators Collection Customer Service
8 a.m. - 6 p.m., EST, Monday-Friday

1-800-HD-HAMPTON

HAMPTONBAY.COM

THANK YOU

We appreciate the trust and confidence you have placed in Home Decorators Collection through the purchase of this ceiling fan. We strive to continually create quality products designed to enhance your home. Visit us online to see our full line of products available for your home improvement needs. Thank you for choosing Home Decorators Collection!

Table of Contents

Table of Contents	2
Safety Information	3
Warranty	4
Pre-installation	4
Specifications	4
Tools Required	4
Hardware Included	5
Package Contents	6
Installation	7
Assembly	8
Hanging the Fan	8
Attaching the Fan Blades	13
Installing the Light Kit	14
Operation	16
Operating Instructions	16
Reverse Function Button Operating Instructions.....	16
Care and Cleaning	17
Troubleshooting	18
Service Parts	19

Safety Information

- Read and save these instructions.
- To reduce the risk of electric shock, ensure electricity has been turned off at the circuit breaker or fuse box before beginning.
- All wiring must be in accordance with the National Electrical Code “ANSI/NFPA 70-1999” and local electrical codes. Electrical installation should be performed by a qualified licensed electrician.
- The outlet box and support structure must be securely mounted and capable of reliably supporting a minimum of 35 lbs. Use only UL Listed outlet boxes marked “FOR FAN SUPPORT.”
- The fan must be mounted with a minimum of 7 ft. clearance from the trailing edge of the blades to the floor.
- To avoid personal injury or damage to the fan and other items, be cautious when working around or cleaning the fan.
- Do not use water or detergents when cleaning the fan or fan blades. A dry dust cloth or lightly dampened cloth will be suitable for most cleaning.
- After making electrical connections, spliced conductors should be turned upward and pushed carefully up into the outlet box. The wires should be spread apart with the grounded conductor and the equipment-grounding conductor on one side of the outlet box and ungrounded conductor on the other side of the outlet box.
- All setscrews must be checked and retightened where necessary before installation.



WARNING: To reduce the risk of electrical shock or fire, do not use this fan with any solid-state fan speed control device. It will permanently damage the electronic circuitry.



WARNING: To reduce the risk of personal injury, do not bend the blade arms (also referred to as flanges), when installing the brackets, balancing the blades, or cleaning the fan.



WARNING: Do not insert foreign objects between rotating fan blades.



WARNING: To reduce the risk of fire, electric shock, or personal injury, mount the fan to the outlet box marked acceptable for fan support with the screws provided with the outlet box.



CAUTION: To reduce the risk of personal injury, use only the screws provided with the outlet box.



WARNING: Changes or modifications to this unit not expressly approved by the party responsible for compliance could void the user’s authority to operate the equipment.



NOTE: This equipment has been tested and found to comply with the limits for a Class B digital device, pursuant to Part 15 of the FCC Rules. These limits are designed to provide reasonable protection against harmful interference in a residential installation. This equipment generates, uses and can radiate radio frequency energy and, if not installed and used in accordance with the instructions, may cause harmful interference to radio communications. However, there is no guarantee that interference will not occur in a particular installation. If this equipment does cause harmful interference to radio or television reception, which can be determined by turning the equipment off and on, the user is encouraged to try to correct the interference by one or more of the following measures: Reorient or relocate the receiving antenna. Increase the separation between the equipment and receiver. Connect the equipment into an outlet on a circuit different from that to which the receiver is connected. Consult the dealer or an experienced radio/TV technician for help.

Warranty

We warrant the fan motor to be free from defects in workmanship and material present at time of shipment from the factory for a period of lifetime after the date of purchase by the original purchaser. We also warrant that all other fan parts, excluding any glass or acrylic blades, to be free from defects in workmanship and material at the time of shipment from the factory for a period of one year after the date of purchase by the original purchaser. We agree to correct such defects without charge or at our option replace with a comparable or superior model if the product is returned. To obtain warranty service, you must present a copy of the receipt as proof of purchase. All costs of removing and reinstalling the product are your responsibility. Damage to any part such as by accident, misuse, improper installation or by affixing any accessories, is not covered by this warranty. Because of varying climatic conditions this warranty does not cover any changes in brass finish, including rusting, pitting, corroding, tarnishing or peeling. Brass finishes of this type give their longest useful life when protected from varying weather conditions. A certain amount of “wobble” is normal and should not be considered a defect. Servicing performed by unauthorized persons shall render the warranty invalid. There is no other express warranty. We hereby disclaim any and all warranties, including but not limited to those of merchantability and fitness for a particular purpose to the extent permitted by law. The duration of any implied warranty which cannot be disclaimed is limited to the time period as specified in the express warranty. Some states do not allow limitation on how long an implied warranty lasts, so the above limitation may not apply to you. The retailer shall not be liable for incidental, consequential, or special damages arising out of or in connection with product use or performance except as may otherwise be accorded by law. Some states do not allow the exclusion of incidental or consequential damages, so the above exclusion or limitation may not apply to you. This warranty gives specific legal rights, and you may also have other rights which vary from state to state. This warranty supersedes all prior warranties. Shipping costs for any return of product as part of a claim on the warranty must be paid by the customer.

Contact the Customer Service Team at **1-800-HD-HAMPTON** or visit www.hamptonbay.com.

Pre-Installation

SPECIFICATIONS

Fan size	Speed	Volts	Amps	Watts	RPM	CFM	N.W.	G.W.	C.F.
52 in.	Low	120	0.25	13.58	73	2003	7.46 kgs (16.45 lbs)	8.97 kgs (19.78 lbs)	1.869' ft.
	Medium		0.37	31.35	120	3049			
	High		0.51	60.97	156	4417			



NOTE: These are approximate measures. They do not include amps and wattage used by the light kit.



Intertek

TOOLS REQUIRED

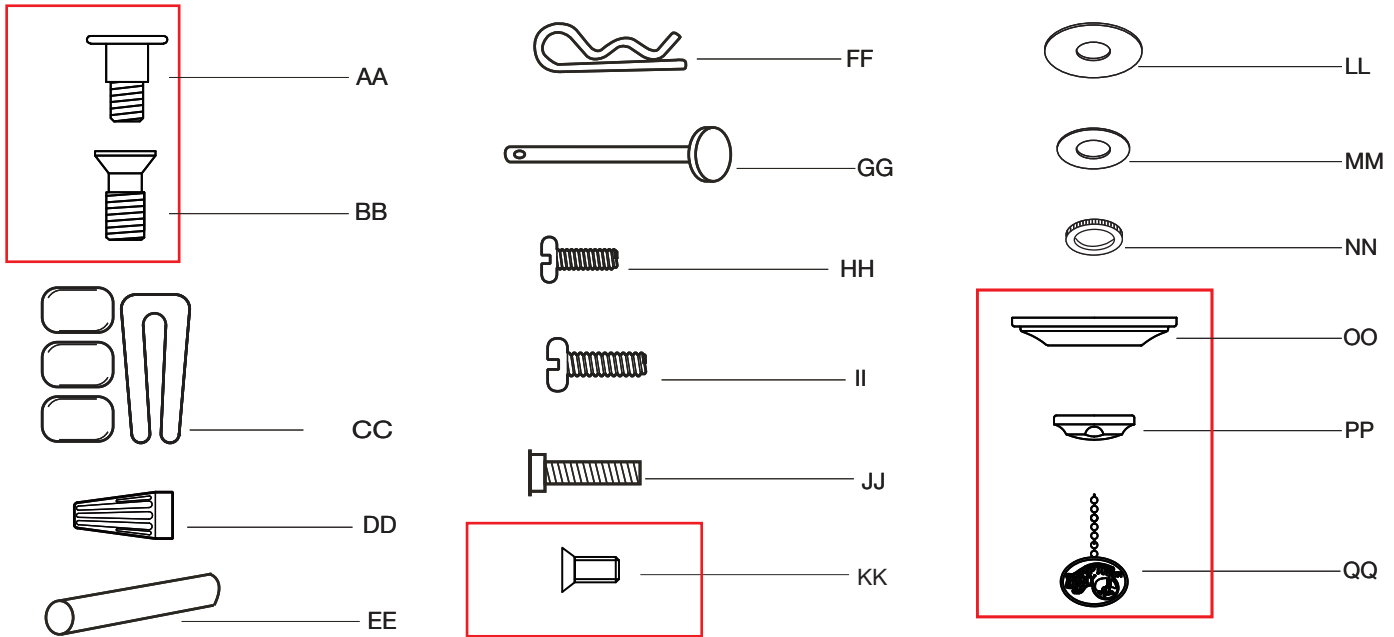


Pre-Installation (continued)

HARDWARE INCLUDED



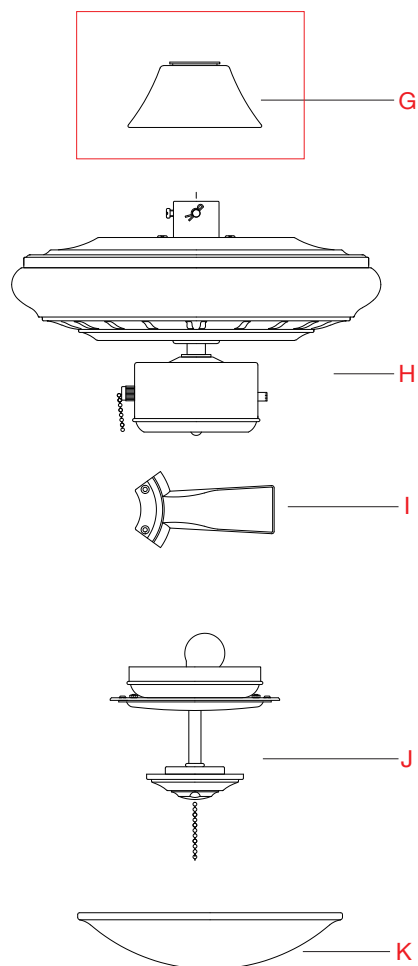
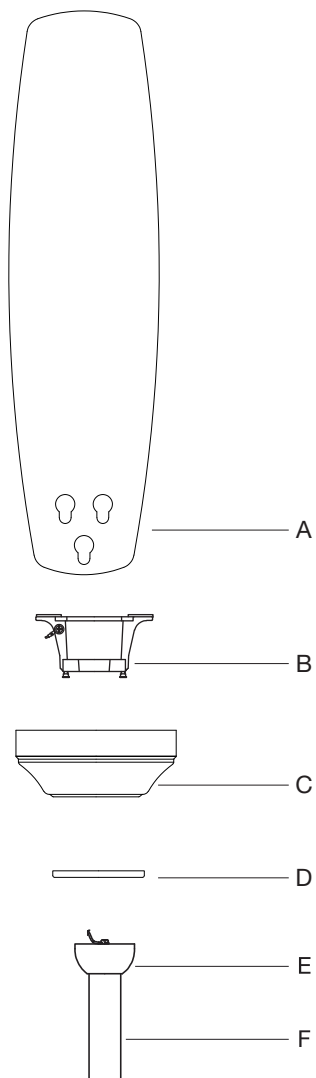
NOTE: Hardware shown to actual size unless noted otherwise in the table below.



Part	Description	Quantity
AA	Blade Screw(preassembled)	15
BB	Blade holder screw(preassembled)	10
CC	Balance kit (not to scale)	1
DD	Wire nuts	3
EE	Cross pin (not to scale) (preassembled)	1
FF	Hitch pin (preassembled)	1
GG	Lock pin (not to scale) (preassembled)	1
HH	Hanger ball set screw (preassembled)	1
II	Fan motor assembly coupling set screw (preassembled)	2
JJ	Mounting bracket screw (preassembled)	2
KK	Switch box screw (preassembled)	3
LL	Rubber washer (preassembled)	1
MM	Metal washer (preassembled)	1
NN	Hex nut (preassembled)	1
OO	Cap(preassembled)	1
PP	Finial(preassembled)	1
QQ	Pull chain fob	2

Pre-Installation (continued)

PACKAGE CONTENTS



Part	Description	Quantity
A	Fan blade	5
B	Mounting bracket	1
C	Canopy	1
D	Canopy cover	1
E	Hanger ball (preassembled)	1
F	Downrod (preassembled)	1

Part	Description	Quantity
G	Coupling cover	1
H	Fan motor assembly	1
I	Blade holder	5
J	17W LED assembly	1
K	Glass	1

Installation

MOUNTING OPTIONS



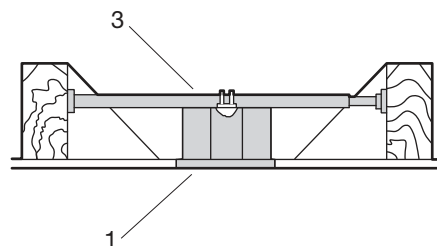
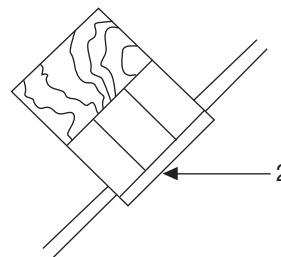
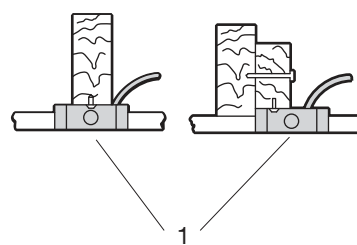
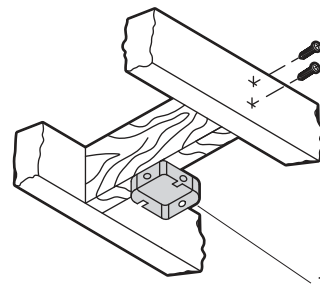
WARNING: To reduce the risk of fire, electric shock, or personal injury, mount the fan to an outlet box marked acceptable for fan support using the screws provided with the outlet box. An outlet box commonly used for the support of lighting fixtures may not be acceptable for fan support and may need to be replaced. If in doubt, consult a qualified electrician.

If your ceiling fan does not have an existing UL-listed mounting box, then install one using the following instructions:

- Disconnect the power by removing the fuses or turning off the circuit breakers.
- Secure the outlet box (1) (not included) directly to the building structure. Use appropriate fasteners and materials (not included). The outlet box and its bracing must be able to fully support the weight of the moving fan (at least 35 lbs.). Do not use a plastic outlet box.
- The illustrations to the right show three different ways to mount the outlet box (not included).
- To hang your fan where there is an existing fixture but no ceiling joist, you may need an installation hanger bar (3) (not included), as shown.



NOTE: You may need a longer downrod to maintain proper blade clearance when installing on a steep, sloped ceiling. The maximum angle allowable is 18°. If the canopy touches the downrod, remove the decorative canopy bottom cover and turn the canopy 180° before attaching the canopy to the mounting plate (2).



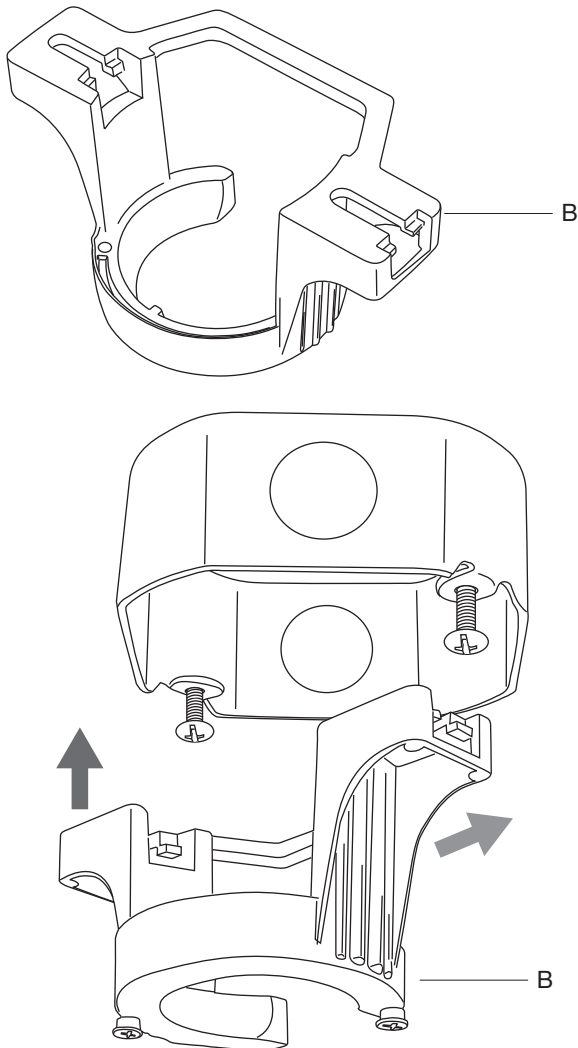
Assembly – Hanging the Fan

1 Attaching the mounting bracket to the electrical box



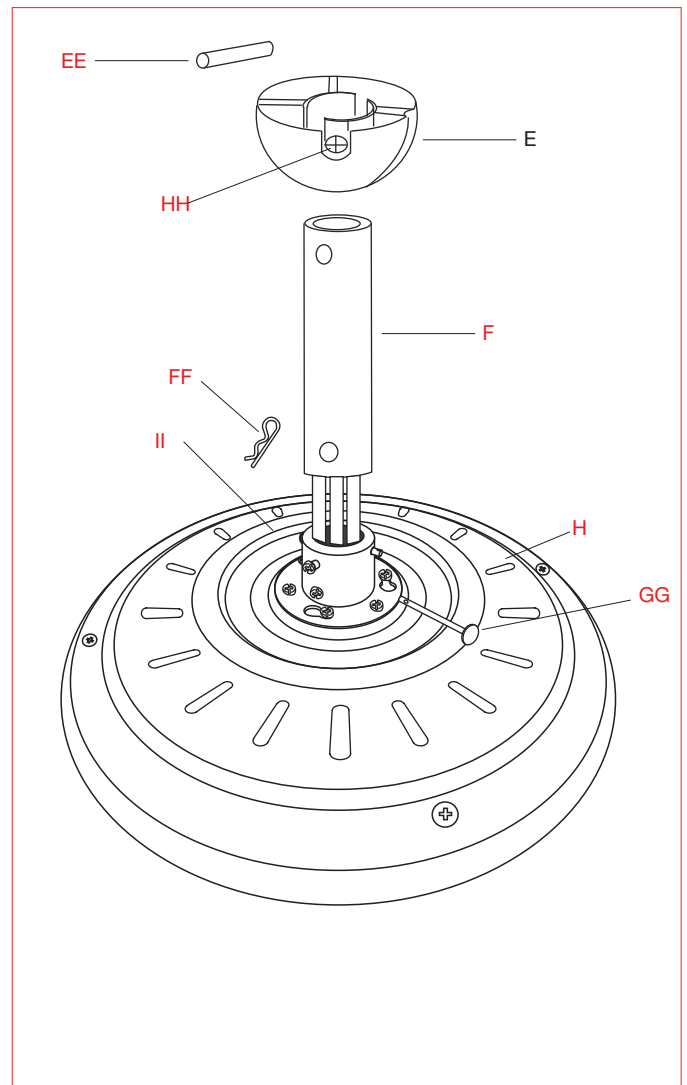
WARNING: To reduce the risk of fire, electric shock, or other personal injury, mount the fan only to an outlet box or supporting system marked acceptable for fan support and use the mounting screws provided with the outlet box.

- Place the slots from mounting bracket (B) over the two screws provided with the outlet box. Slide the mounting bracket (B) until it locks in place at the narrow section of the slots.
- Securely tighten the two mounting screws.



2 Attaching the downrod to the fan motor assembly

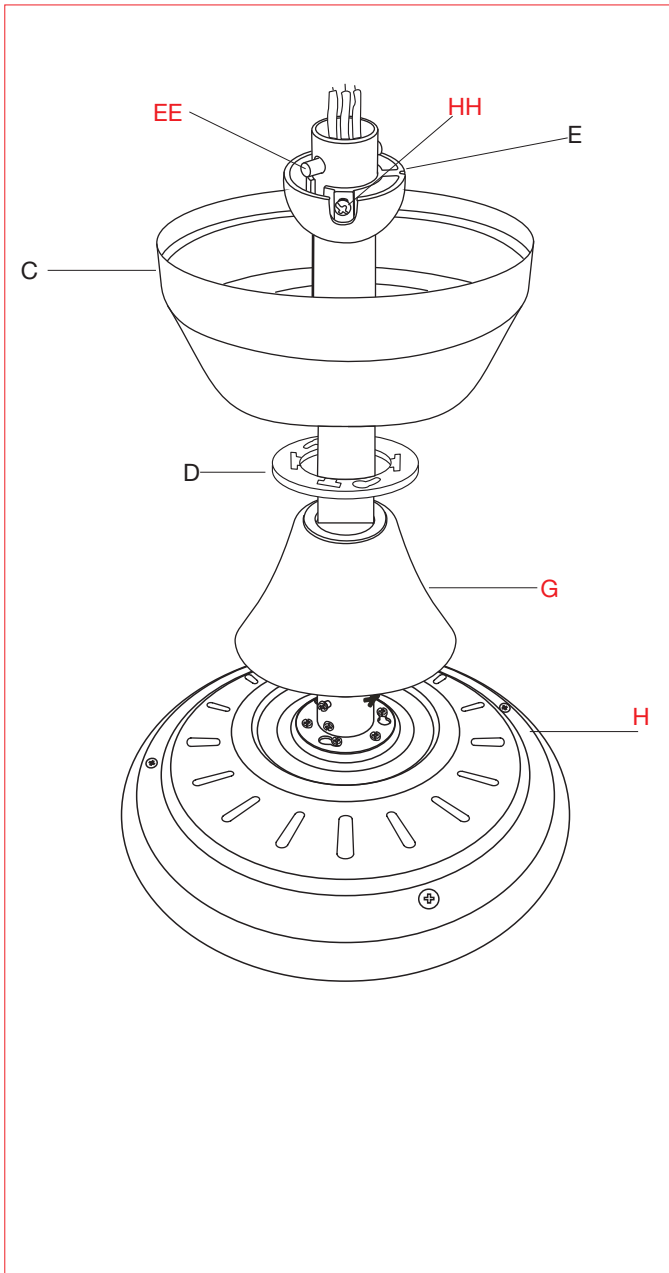
- Loosen the two set screws (II) from the fan motor assembly (H) coupling. Remove the hitch pin (FF) and lock pin (GG) from the fan motor assembly (H).
- Remove the hanger ball (E) from the downrod (F) by loosening the hanger ball set screw (HH), and removing the cross pin (EE), then sliding the hanger ball (E) off of the downrod (F).
- Carefully feed the fan wires up through the downrod (F). Thread the downrod (F) into the fan motor assembly (H) coupling. Line up the holes and replace the lock pin (GG) and the hitch pin (FF). Tighten the set screws (II).



Assembly – Hanging the Fan (continued)

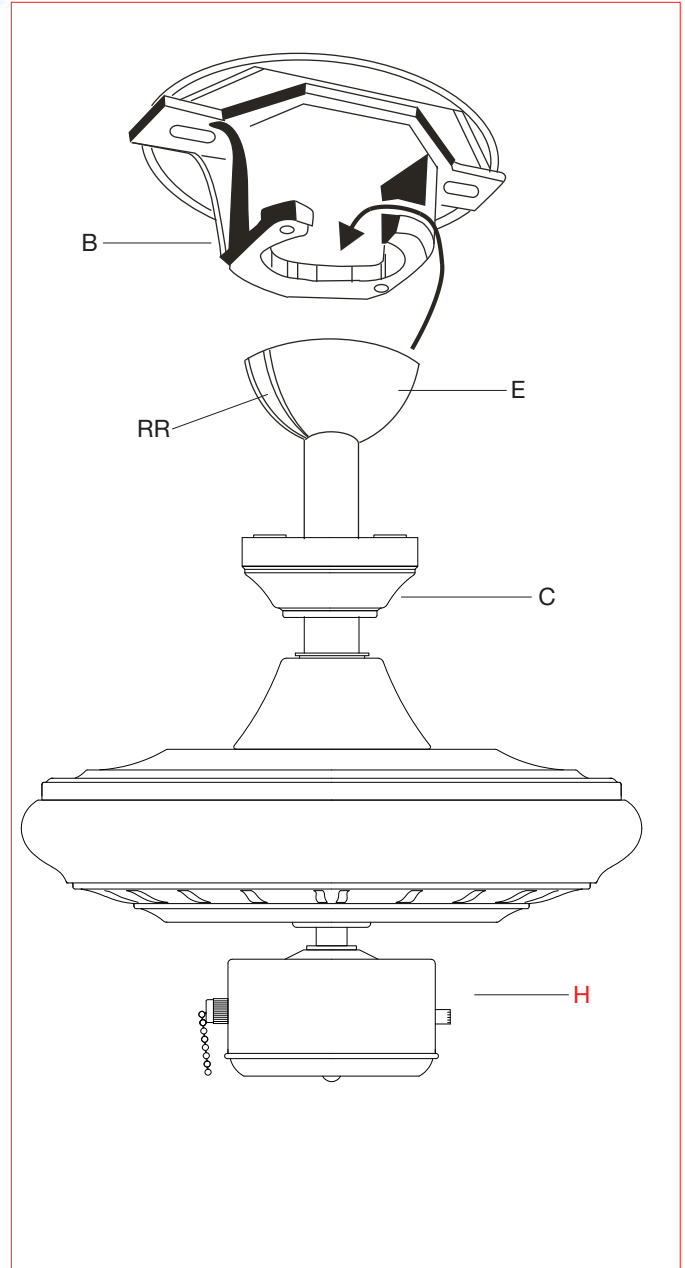
3 Attaching the coupling cover, canopy cover, and canopy to the downrod

- Slip the coupling cover (G), canopy cover (D), and canopy (C) onto the downrod (F). Carefully reinstall the hanger ball (E) onto the downrod (F), and ensure that the cross pin (EE) is in the correct position, the set screws (HH) are tight, and the wires are not twisted.



4 Hanging the fan motor assembly from the mounting bracket

- Lift the fan motor assembly (H) into position, and place the hanger ball (E) into the mounting bracket (B). Rotate the fan motor assembly (H) until the check groove drops into the registration slot (RR) and seats firmly. The downrod (F) should not rotate if this is done correctly.



Assembly — Hanging the Fan (continued)

5 Making the electrical connections



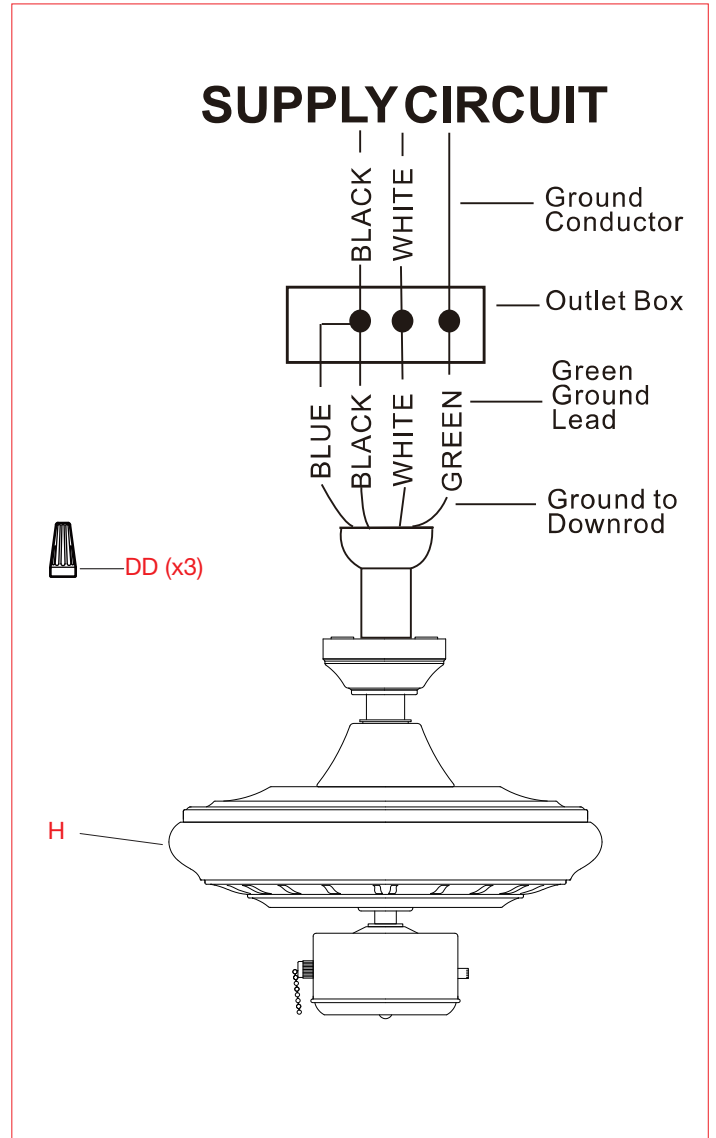
WARNING: To avoid possible electrical shock, ensure the electricity is turned off at the circuit breaker or main fuse box before wiring.



WARNING: Check to see that all connections are tight, including the ground, and that no bare wire is visible at the wire nuts, except for the ground wire.

Follow the steps below to connect the fan to your house supply wires. Secure the wire nuts (DD) supplied with your fan by wrapping the connections with electrical tape.

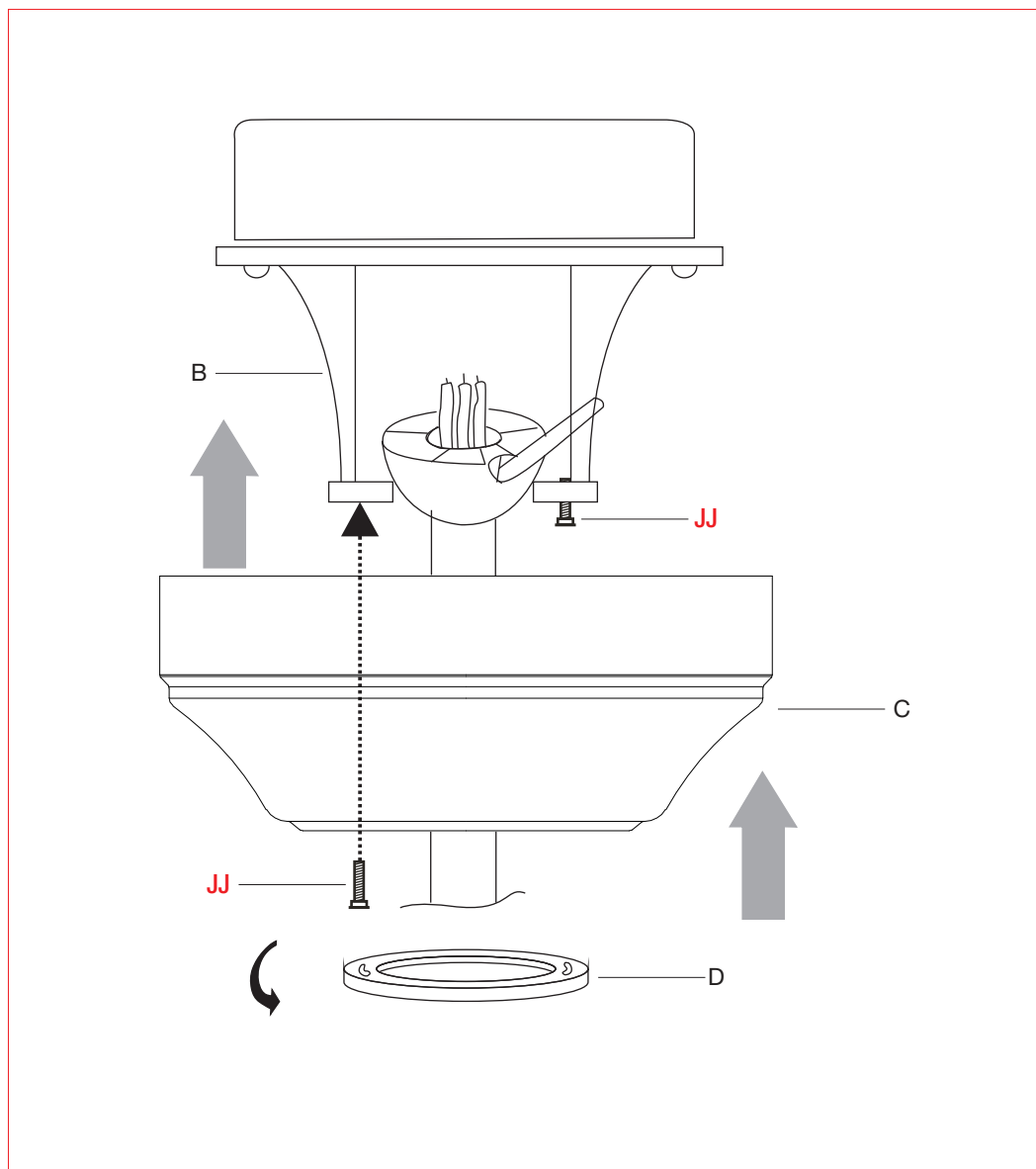
- Connect the fan supply (black) wire and light supply (blue) wire to the black household supply wire.
- Connect the neutral fan (white) wire to the white neutral household wire.
- If your outlet box (1) has a ground wire (green or bare copper), connect it to the fan ground wires; otherwise, connect the hanging ball (E) ground wire to the mounting bracket (B).
- Secure the wire connection with a plastic wire nut (DD) provided with the electrical hardware.
- After connecting the wires, spread them apart so that the green and white wires are on one side of the outlet box (1) and the black and blue wires are on the other side. Carefully tuck the wire connections up into the outlet box (1).



Assembly — Hanging the Fan (continued)

6 Securing the fan motor assembly to the mounting bracket

- Remove one screw (JJ) from the mounting bracket (B) and loosen the other screw (JJ) approximately 1/4 turn.
- Carefully raise the canopy (C) up to the mounting bracket (B), and ensure the loosened screw (JJ) is inserted into the key hole on the canopy (C). Rotate the canopy (C) clockwise.
- Secure the canopy (C) by replacing the screw (JJ) previously removed and tightening the screw (JJ) previously loosened.
- Place the canopy cover (D) on the canopy (C), and rotate the canopy cover (D) clockwise until it locks into position.



Assembly – Attaching the Fan Blades

7 Fastening the blade assemblies to the fan motor assembly



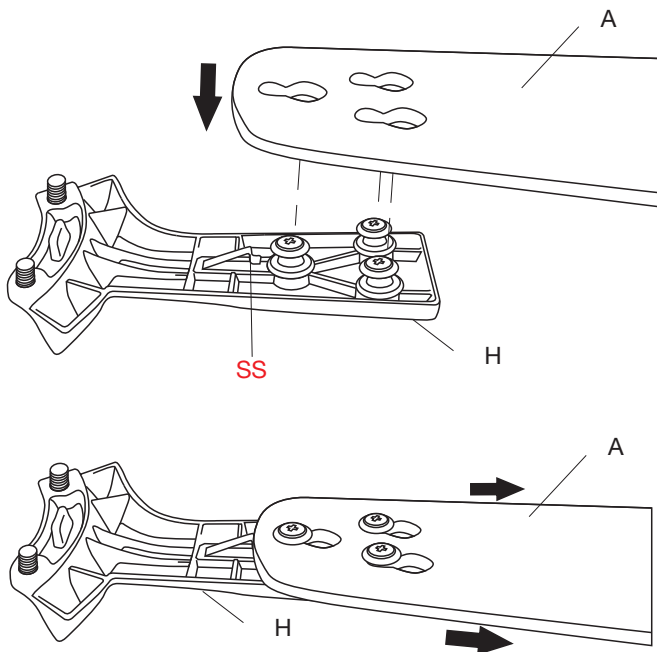
WARNING: Failure to properly seat the blades (A) on the blade arms (I) and engage in the locking mechanism(SS) could result in the fan blades (A) loosening and possibly falling.

To install the blade to the blade arm:

- Mount the fan blade (A) to the blade bracket (I) by aligning the three key-slot holes in the blade (A) with the three posts on the top of the blade bracket (I).
- Firmly slide the blade (A) away from the blade arm (I) until the blade (A) engages in the locking mechanism (SS). Make sure the locking mechanism (SS) at the rear of the blade bracket (I) springs upward and butts against the edge of the blade (A), indicating a secure connection.
- Visually inspect the top of the blade bracket (I) to ensure the locking mechanism (SS) is securely in place.
- Repeat this procedure for the remaining blades (A).

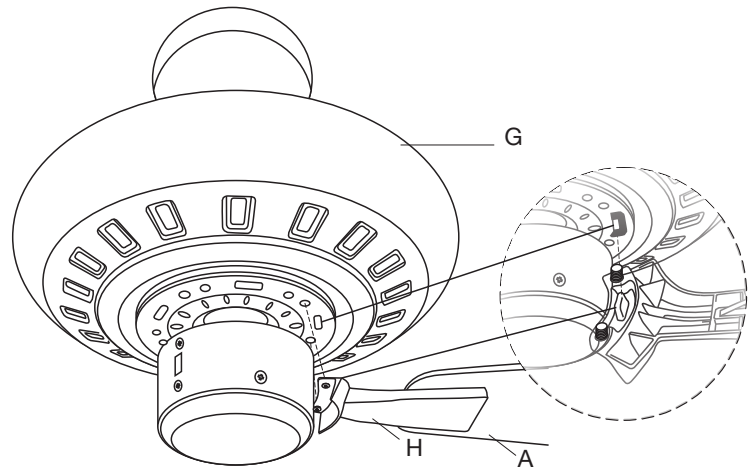
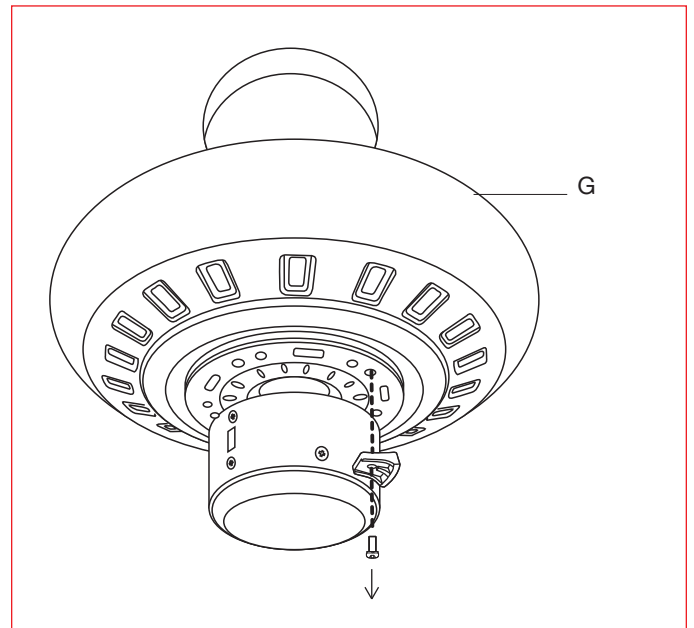
To detach the blade from the blade arm:

- Press down the locking mechanism (SS) to release the blade (A) from the blade arm (I). Slide the blade (A) toward the blade arm (I) until the blade (A) disengages from the locking mechanism (SS). Carefully push the blade (A) up to detach from the blade arm (I).



8 Fastening the blade assemblies to the fan

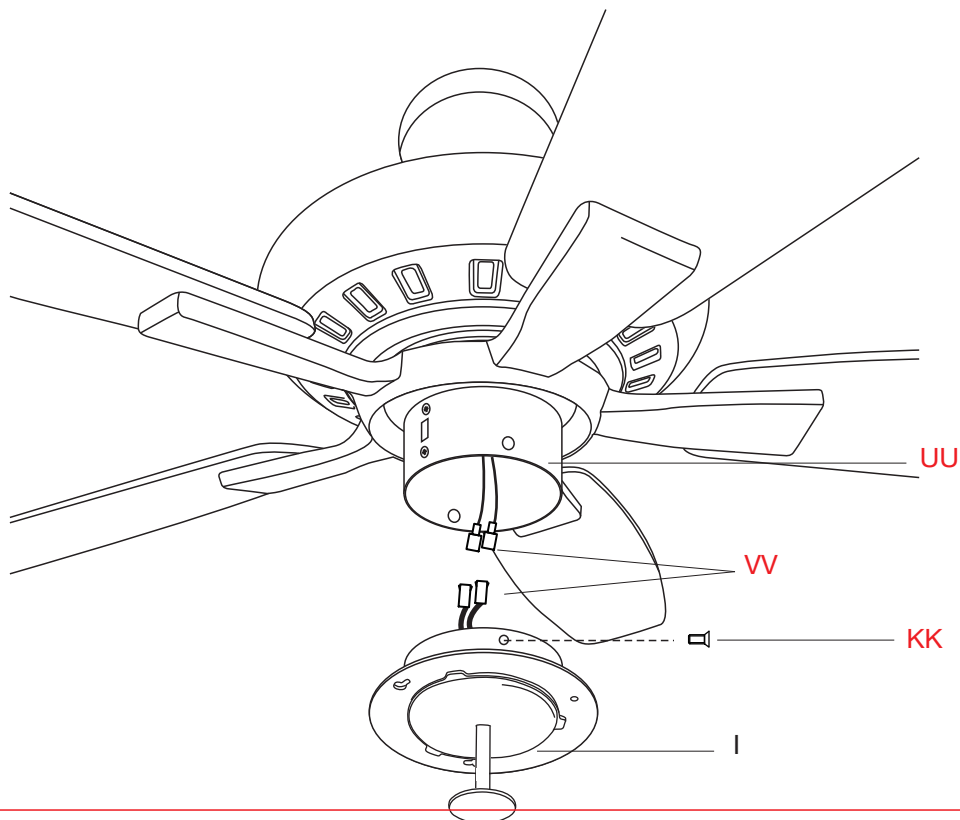
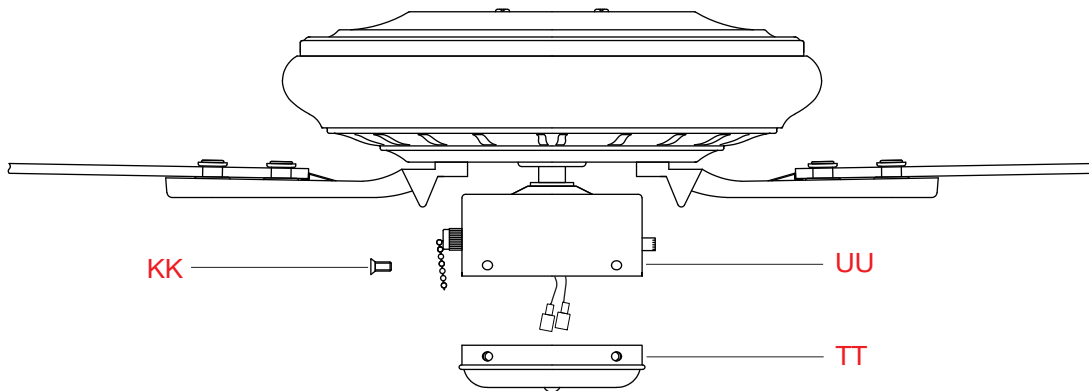
- Loosen the five screws and remove the five plastic blocks from the fan motor assembly (G) before attaching the blade holder (I) to the fan motor assembly (G). Discard the plastic blocks and the five screws.
- Fasten the blade assemblies to the fan motor assembly (H) by lining up the slots of the motor with the tabs on the blade arms (I).
- Tighten the two blade arm screws (BB) already installed in the blade arms (I).
- Repeat this procedure for the remaining blade arms (I).



Assembly – Installing the Light Kit

9 Attaching the 17W LED Assembly to the Fan

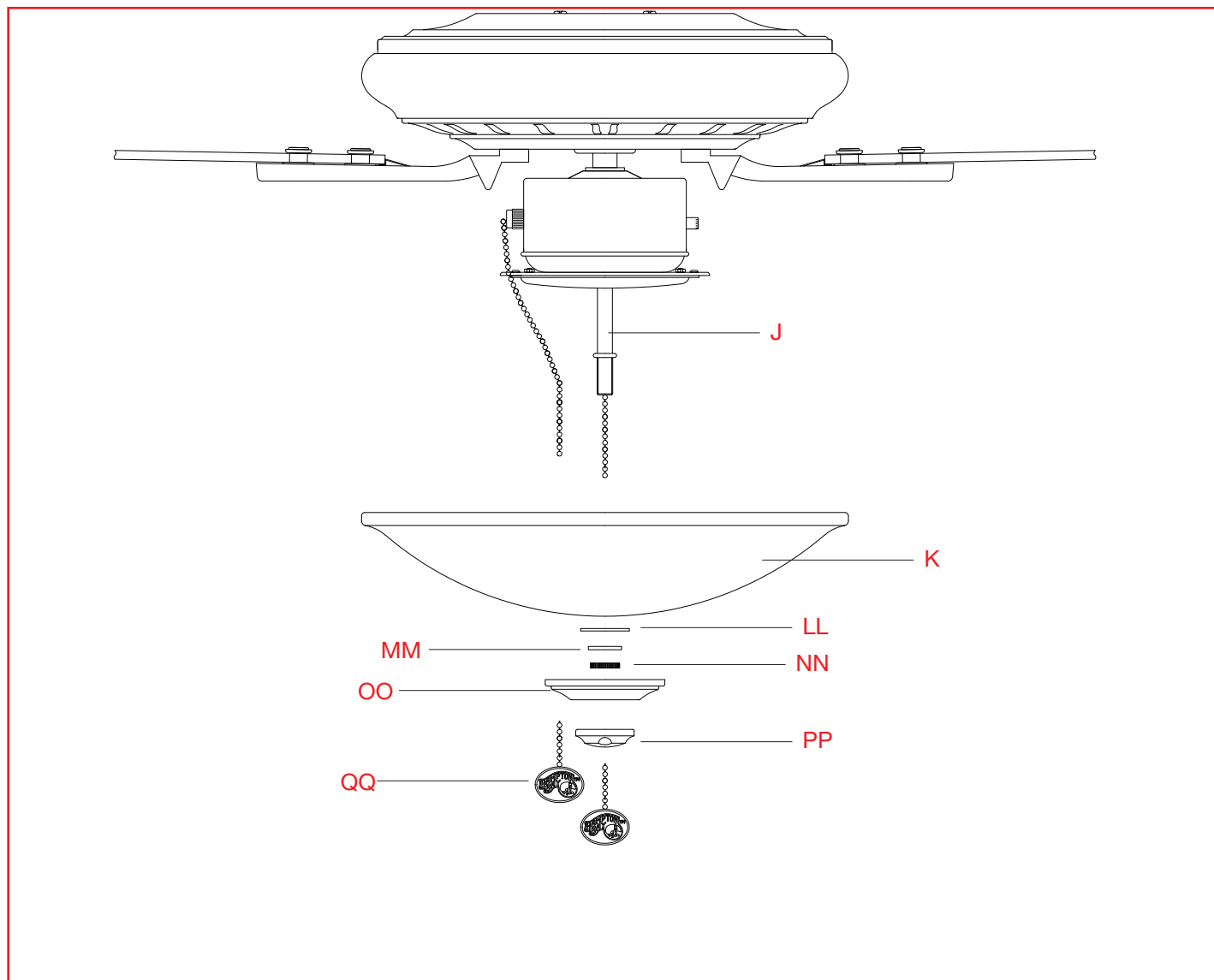
- Disassemble the switch box cover (TT) by removing the three screws (KK) on the switch box (UU)
- While holding the 17W LED assembly (J) under your fan, snap together the wire connection plugs (VV).
- Carefully push all wires back into the switch box (UU), then install the 17W LED assembly (J) onto the switch box (UU) with the three screws (KK) removed previously and securely tighten all screws.



Assembly – Installing the Light Kit (continued)

10 Installing the glass shade

- Remove the rubber washer (LL), metal washer (MM), hex nut (NN), cap(OO) and finial(PP) from the 17W LED assembly (J).
- Place the glass shade (K) over the 17W LED assembly (J) stem, and secure with the rubber washer (LL), metal washer (MM), hex nut (NN), cap(OO) and finial(PP). Do not over-tighten.

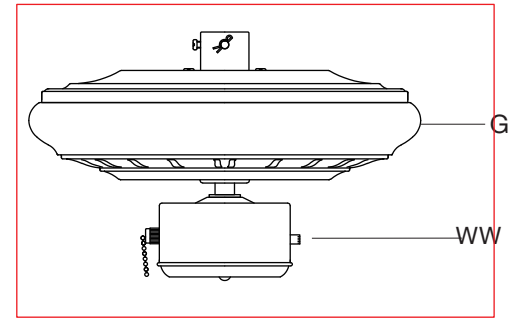


Operation

Turn on the power and check the operation of your fan. There are two pull chains used to operate your fan.

The 3-speed pull chain controls the fan speed as follows:
1 pull- High, 2 pulls- Medium, 3 pulls- Low, and 4 pulls- Off.

The light kit pull chain turns the light kit "ON" or "OFF."



REVERSE FUNCTION BUTTON OPERATING INSTRUCTIONS

The reverse switch(WW) is located on the surface of the switch housing(UU).

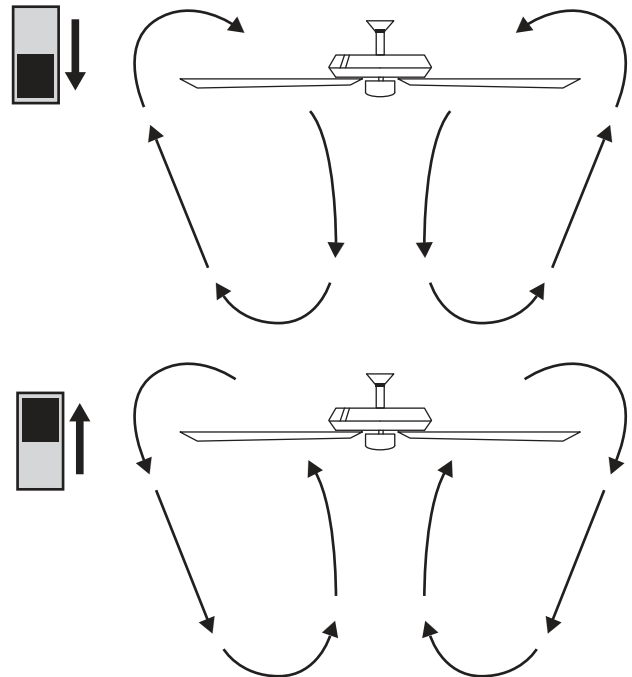
This switch controls directions: forward (switch **down**) or reverse (switch **UP**).



NOTE: Wait for the fan to stop before reversing the direction of the blade rotation.

Warm weather - (Counterclockwise Direction) A downward air flow creates a cooling effect. This allows you to set your air conditioner on a higher setting without affecting your comfort.

Cool weather - (Clockwise Direction) An upward air flow moves warm air off the ceiling. This allows you to set your heating unit on a lower setting without affecting your comfort.



Care and Cleaning

Do

- Check the support connections, brackets, and blade attachments twice a year. Ensure they are secure. Because of the fan's natural movement, some connections may become loose over time. It is not necessary to remove the fan from the ceiling.
- Clean your fan periodically. Use only a soft brush or lint-free cloth to avoid scratching the finish. The plating is sealed with a lacquer to minimize discoloration or tarnishing.
- (Optional) Apply a light coat of furniture polish to the wood blades.
- (Optional) Cover small scratches with a light application of shoe polish.

Do not

- Do not use water when cleaning. Water could damage the motor, or the wood, or possibly cause an electrical shock.
- Do not apply oil to your fan or motor. The motor has permanently-lubricated sealed ball bearings.

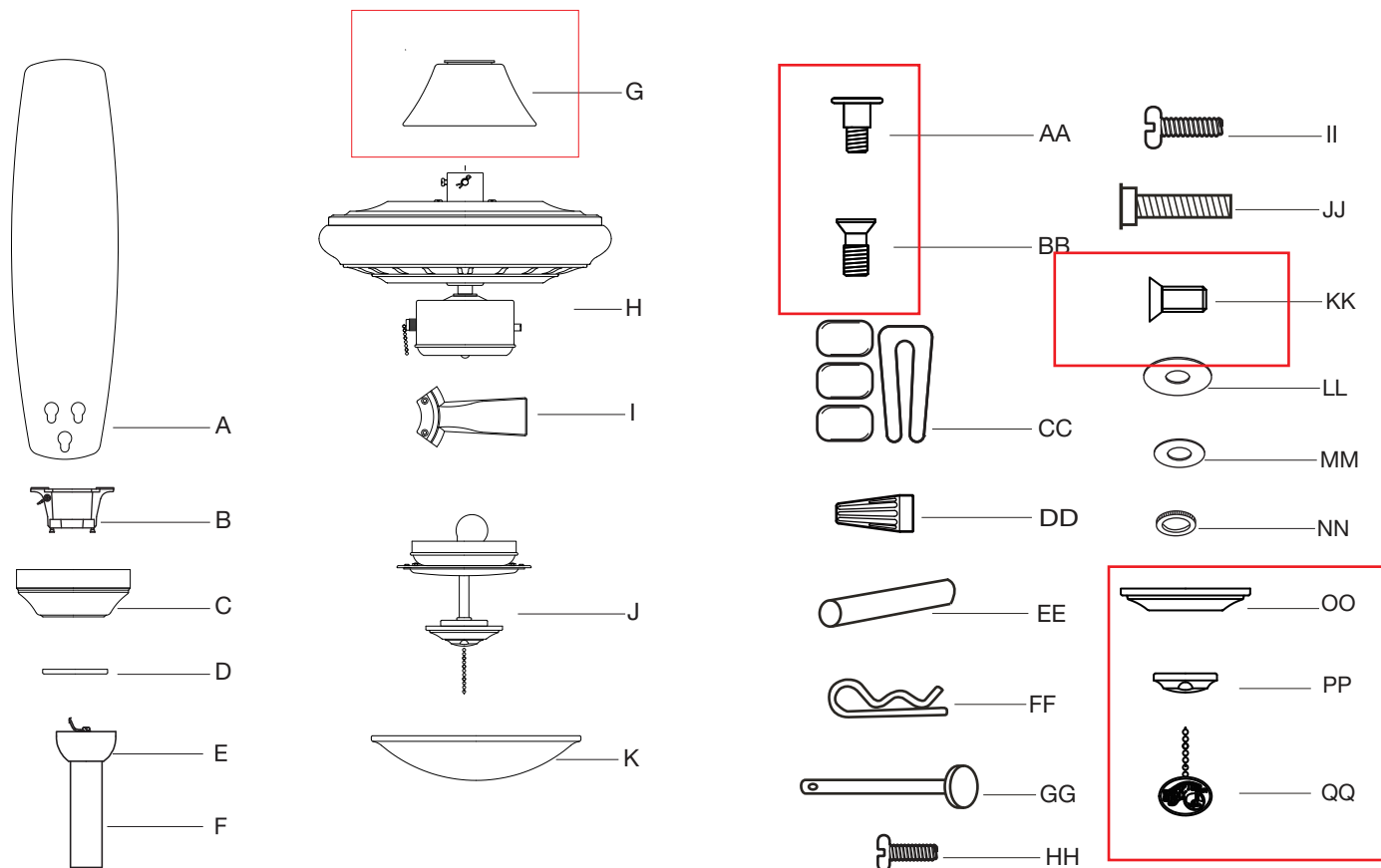
Troubleshooting



WARNING: Ensure the power is off at the electrical panel box before you attempt any repairs. Refer to the section "Making the Electrical Connections" on page 11.

Problem	Solution
The fan will not start.	<input type="checkbox"/> Check main and branch circuit fuses or breakers.
	<input type="checkbox"/> Check line wire connections to the fan and switch wire connections in the switch housing.
	<input type="checkbox"/> Check to make sure the dip switches from the remote control and receiver are set to the same frequency.
The fan sounds noisy.	<input type="checkbox"/> Make sure all motor housing screws are snug.
	<input type="checkbox"/> Make sure the screws that attach the fan blade arm to the motor hub are tight.
	<input type="checkbox"/> Make sure wire nut connections are not rattling against each other or the interior wall of the switch housing.
	<input type="checkbox"/> Allow a 24-hour "breaking-in" period. Most noises associated with a new fan disappear during this time.
	<input type="checkbox"/> If using the ceiling light kit, make sure the screws securing the glassware are tight. Check that the light bulb is also secure.
	<input type="checkbox"/> Make sure there is a short distance from the ceiling to the canopy. It should not touch the ceiling.
The fan wobbles.	<input type="checkbox"/> Check that all blade and blade arm screws are secure.
	<input type="checkbox"/> Most fan wobble problems are caused when blade levels are unequal. Check this level by selecting a point on the ceiling above the tip of one of the blades. Measure from a point on the center of each blade to the point on the ceiling. Rotate the fan until the next blade is positioned for measurement. Repeat for each blade. Measurements deviation should be within 1/8 in. Run the fan for 10 minutes.
	<input type="checkbox"/> Use the enclosed blade balancing kit if the blade wobble is still noticeable.

Service Parts




Part	Description
A	Fan blade
B	Mounting bracket
C	Canopy
D	Canopy cover
E	Hanger ball (preassembled)
F	Downrod (preassembled)
G	Coupling cover
H	Fan motor assembly
I	Blade holder
J	17W LED assembly
K	Glass

Part	Description
AA	Blade screw
BB	Blade holder screw
CC	Balance kit
DD	Wire nuts
EE	Cross pin
FF	Hitch pin
GG	Lock pin
HH	Hanger ball set screw
II	Fan motor assembly coupling set screw
JJ	Mounting bracket screw (preassembled)
KK	Switch box screw (preassembled)
LL	Rubber washer
MM	Metal washer
NN	Hex nut
OO	Cap(preassembled)
PP	Finial(preassembled)
QQ	Pull chain fob

SPECIFICATIONS

Airflow Cubic Feet per Minute



Downrod**


High **4,417**

Medium **3,049**

Low **2,003**

**With 4.5in downrod (included)

ENERGYGUIDE

<p>Estimated Yearly Energy Cost</p> <p>\$11</p> <p>\$3  \$34</p> <p>Cost Range of Similar Models (19" – 84")</p> <ul style="list-style-type: none"> • Based on 12 cents per kWh and 6.4 hours use per day • Your cost depends on rates and use • Energy Use: 39 Watts 	<p>Airflow</p> <p>3,285</p> <p>Cubic Feet Per Minute</p> <ul style="list-style-type: none"> • The higher the airflow, the more air the fan will move • Airflow Efficiency: 85 Cubic Feet Per Minute Per Watt
<p>All estimates based on typical use, excluding lights</p>	
<p>ftc.gov/energy</p>	
<p>Airflow Shown is a Weighted Average of High and Low Cubic Feet per Minute Based on Downrod</p>	



Questions, problems, missing parts? Before returning to the store,
call Home Decorators Collection Customer Service
8 a.m. - 6 p.m., EST, Monday-Friday

1-800-HD-HAMPTON

HAMPTONBAY.COM

Retain this manual for future use.