

# Transfer 26 Air Massage Walk In Bathtub (Wheelchair Accessible)



OLA2652A-L-HB Left Drain



OLA2652A-R-HB Right Drain

Actual Size: 26'' W x 52'' L x 42'' H  
 Shipping Size: 28'' W x 54'' L x 50'' H  
 Shipping Weight: 300lbs.  
 Net Weight: 220lbs.  
 Water Capacity: 90 gal. US (unoccupied)  
                           55-75 gal. US (occupied)  
 Approx. Drain Time: +/- 2 minutes (unoccupied bathtub)  
 at ideal home plumbing conditions  
 Approx. Fill Time: 18 Gallons per minute  
 based on in-house water pressure  
 (Disclaimer: Drainage time depends on house drain conditions.)

**Options:**

- Left or Right Hinged Door

**Included Features:**

1. Acrylic Tub Shell:
  - High quality acrylic
  - Excellent color uniformity
  - High Gloss White Finish
  - Fiberglass Reinforced
2. Low threshold step in 7''
3. Stainless Steel Frame with Adjustable Leveling Legs
4. Seat: 19.5'' W x 19'' H x 19'' L
5. One (1) front and one (1) end removable access panels
6. Wall mounted stainless steel safety grab bar in plated chrome finish
7. L-shaped door for wheelchair accessible
8. Air Massage System (4.5AMP 486W)
  - Seventeen (17) therapeutic air massage jets with black low valve
  - Variable Speed Pump with Auto Purge
9. Five-Piece Fast Fill Huntington Brass Roman faucet set (chrome finish)
  - 18 GPM (Average) @ 60 PSI
  - Pull out, hand held, chrome plated shower with 5 ft. retractable stainless steel braided hose

**Plumbing:**

- Two (2) x 5' long stainless steel braided water supply lines with 3/4'' IPS connectors
- Two (2) x 2'' floor drains
- Two (2) PVC 2'' drain elbows

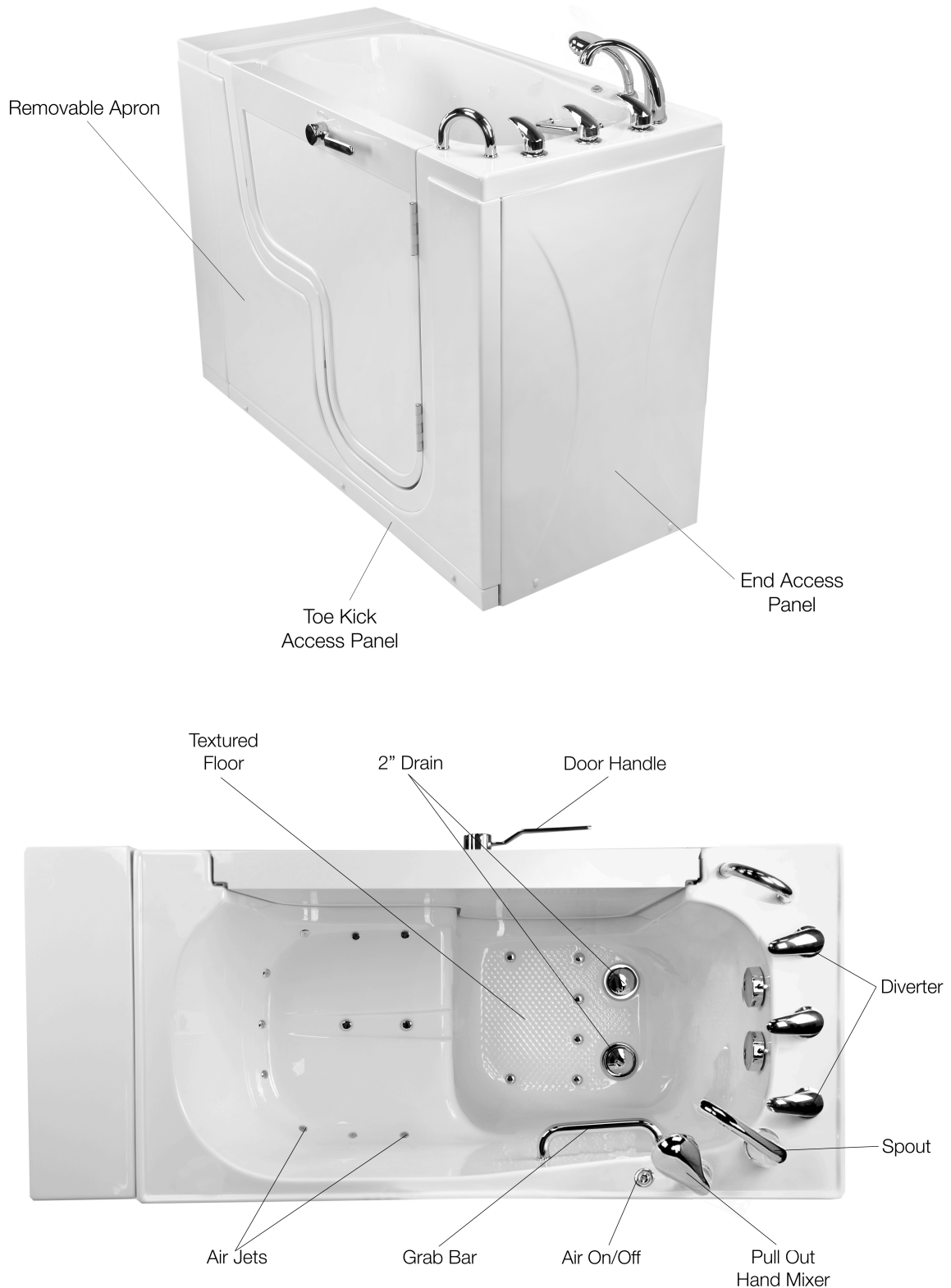
**Electrical:**

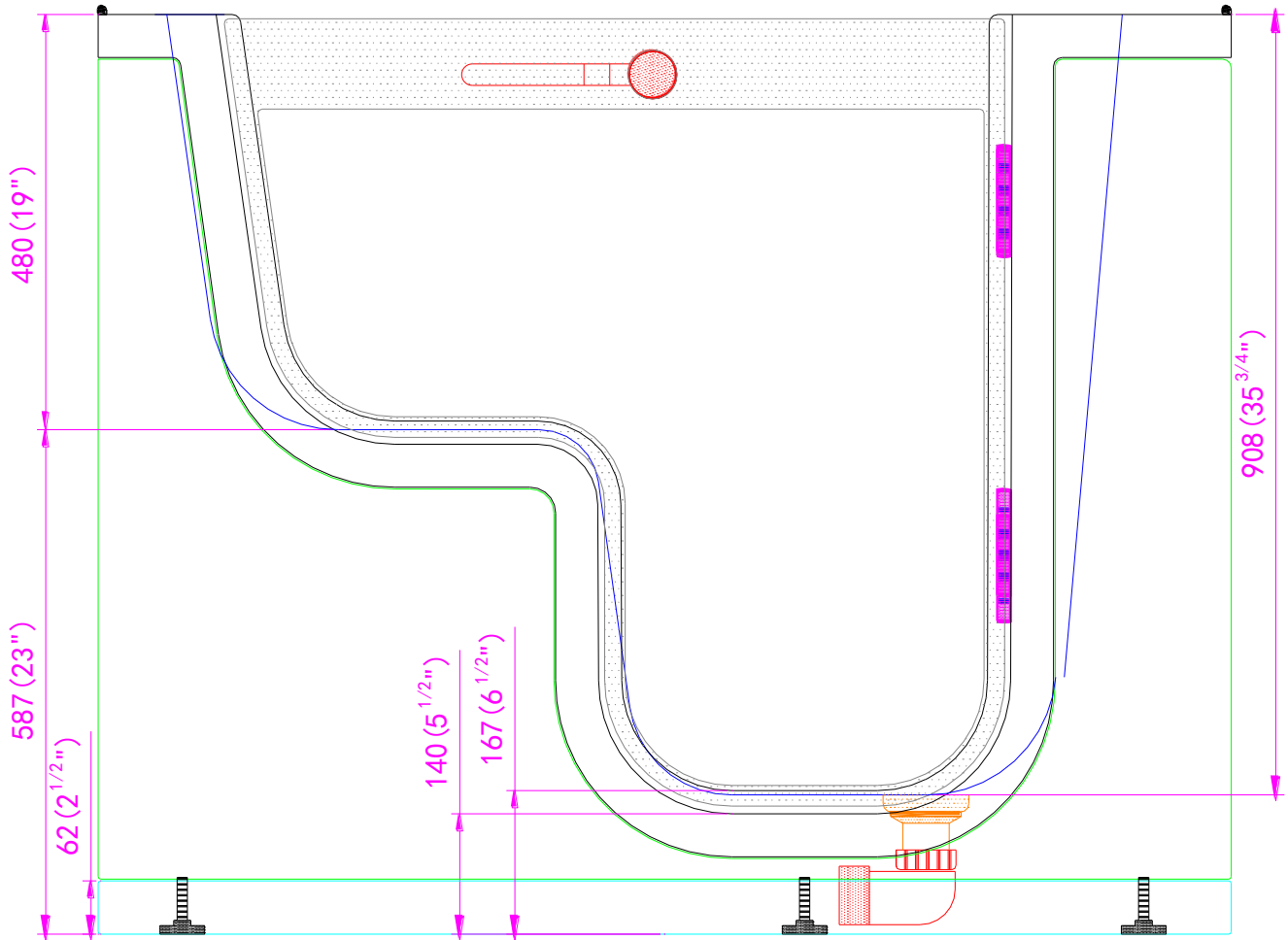
Electrical requirement is one dedicated 120 V electrical line with a 20AMP GFCI standard three prong outlet

**Warranty:**

- Lifetime limited warranty on acrylic walk in tub shell, frame, and the door
- 5 Year parts warranty\*

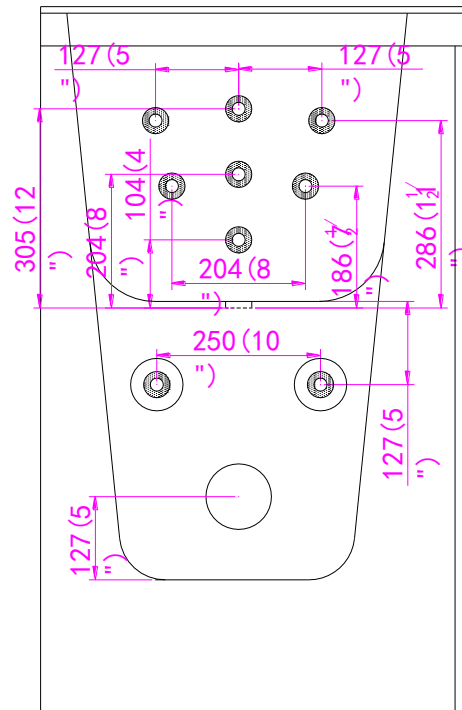
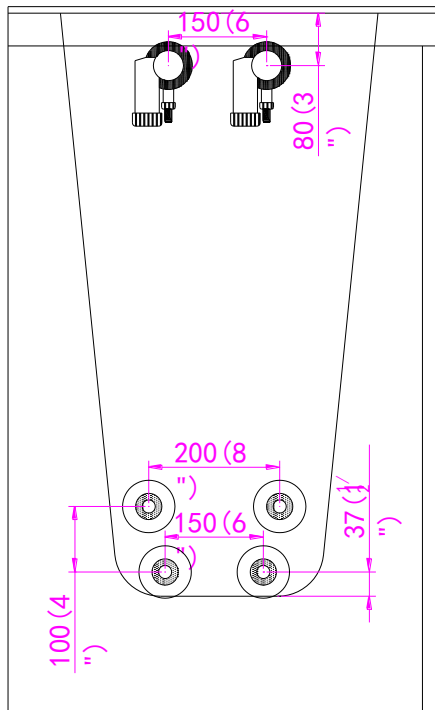
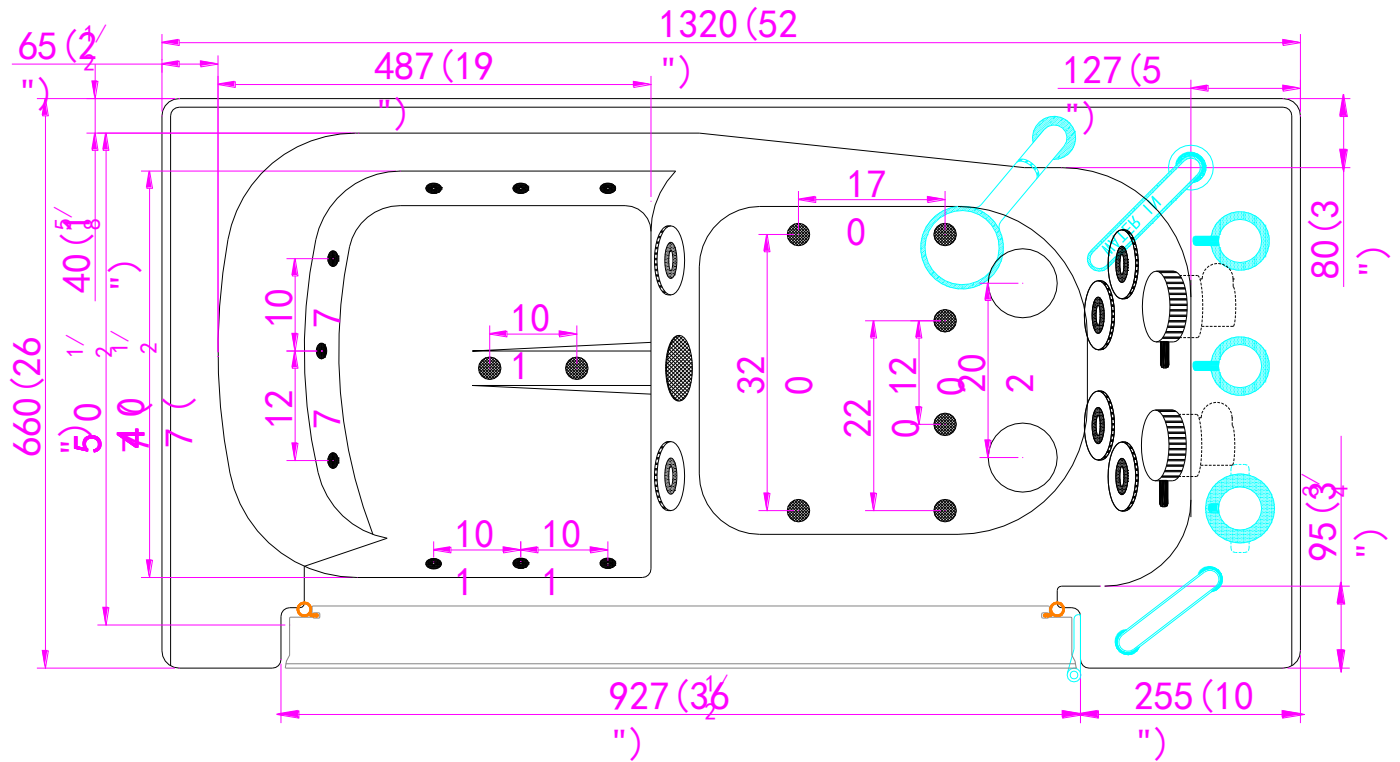
# Transfer 26 Air Massage Walk In Bathtub (Wheelchair Accessible)





Disclaimer:  
In an effort to continually improve our product, specifications and configurations are subject to change without notice. Before ordering or installing, consider future access to essential equipment.

## Transfer 26 Air Massage Walk In Bathtub (Wheelchair Accessible)



**Disclaimer:**

In an effort to continually improve our product, specifications and configurations are subject to change without notice. Before ordering or installing, consider future access to essential equipment.