

URINAL K-5016-ET

Features

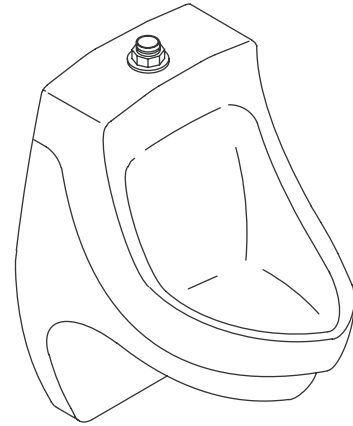
- Vitreous china
- Siphon jet
- 3/4" top spud
- Includes inlet and outlet spuds and hangers
- Includes anti-backsplash wall
- 14-1/2" (36.8 cm) extended rim
- 0.5 gpf (1.9 lpf)
- WaterSense® compliant when used with K-10675 or K-10958



Codes/Standards Applicable

Specified model meets or exceeds the following:

- ADA
- ICC/ANSI A117.1
- ASME A112.19.2/CSA B45.1
- EPA WaterSense®



Colors/Finishes

- 0: White
- Other: Refer to Price Book for additional colors/finishes

Accessories

- CP: Polished Chrome

Specified Model

Model	Description	Colors/Finishes	
K-5016-ET	3/4" top spud urinal	<input type="checkbox"/> 0	<input type="checkbox"/> Other_____
Optional Accessories			
K-10675	0.5 gpf (1.9 lpf) Touchless DC flushometer with WAVE technology	<input type="checkbox"/> CP	
K-10958	0.5 gpf (1.9 lpf) Touchless DC flushometer with TriPoint™ technology	<input type="checkbox"/> CP	

Product Specification

Siphon jet urinal shall be made of vitreous china with a 3/4" top spud. Urinal shall include inlet and outlet spuds and hangers. Urinal shall include anti-backsplash wall. Urinal shall use 0.5 gpf (1.9 lpf). Urinal shall be WaterSense compliant when used with K-10675 or K-10958. Urinal shall have a 14-1/2" (36.8 cm) extended rim. Urinal shall be Kohler Model K-5016-ET-_____.

DEXTER™

Technical Information

Fixture:	
Configuration	3/4" top spud
Spud inlet size	3/4"
Water per flush	0.5 gpf (1.9 lpf)
Included components:	
3/4" inlet spud	18376
2" outlet spud	18766
Hanger (2 required)	64512

Installation Notes

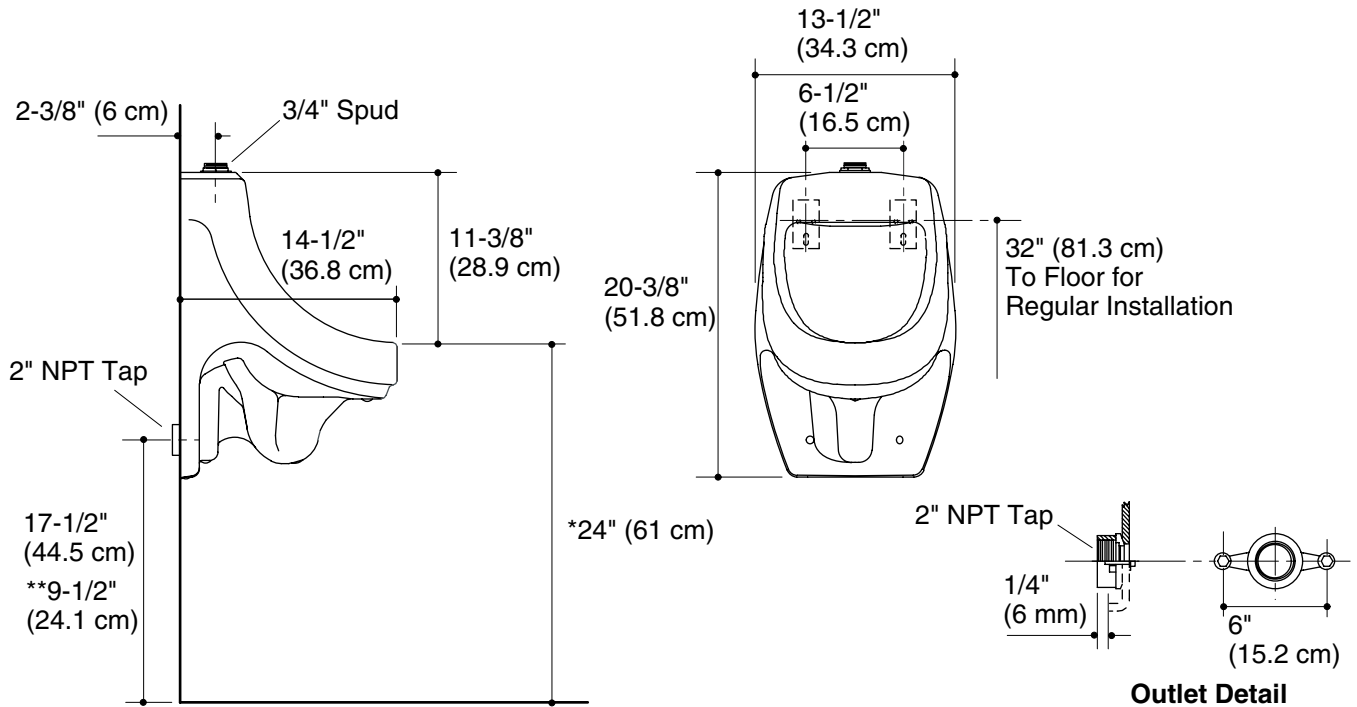
Install this product according to the installation guide.

Refer to manufacturer's instructions and local codes for flush valve requirements.

Will comply with **ADA** when installed per Section 605 Urinals of the Act.

*Urinal complies with ADA requirement when rim is mounted no higher than 17" (43.2 cm) from finished floor.

**Outlet height for ADA compliance.



Product Diagram