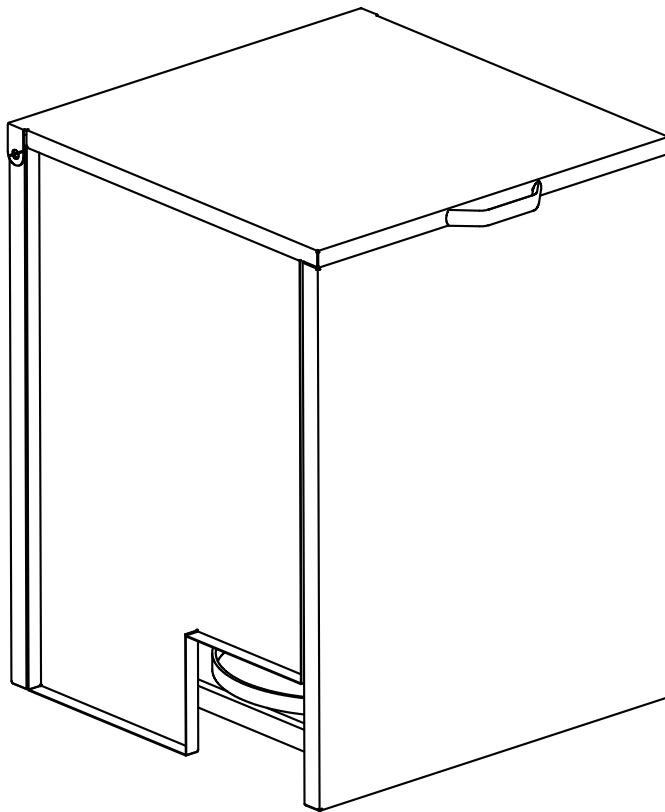


Instructions & User's Manual

Model No: Tank Holder



**FOR OUTDOOR USE ONLY.
KEEP THE INSTRUCTIONS FOR FUTURE REFERENCE.**

For product warranty, please go to www.hamptonbay.com or call 1-855-HD-HAMPTON

SAFETY INFORMATION

Before you assemble or operate this unit, please carefully read this entire manual.

WARNING

- **MAXIMUM WEIGHT CAPACITY:** This item can withstand an additional weight of 30 lbs.
- This item is intended for outdoor use only.
- While propane tank is installed do not use near flammable or combustible objects.
- Storage of this item indoors is permissible only if the tank is disconnected and properly stored outdoors.
- Young children should be carefully supervised when in the vicinity of this item.
- Do not sit on this item.
- Always place this item on a hard, level non-combustible surface such as concrete, rock or stone.
- This item must be used **ONLY** outdoors in a well ventilated space and shall not be used inside a building, garage or any enclosed area.
- This item is designed for use with a 20 lb. liquid propane gas (LP) tank (not included).
- This item is not to be installed or used in or on any recreational vehicle or boat.
- Do not attempt to transport this item with a gas tank installed.

Before beginning assembly of product, make sure all parts are present. Compare parts with package contents list and hardware contents list. If any parts are missing or damaged, do not attempt to assemble the product.

Estimated Assembly Time: 10 minutes

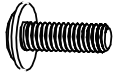
Tools Required for Assembly (not included): Phillips Screwdriver

NOTE: You must follow all steps to properly assemble this Tank Hideaway™. Do not attempt to assemble without the proper tools.

HARDWARE



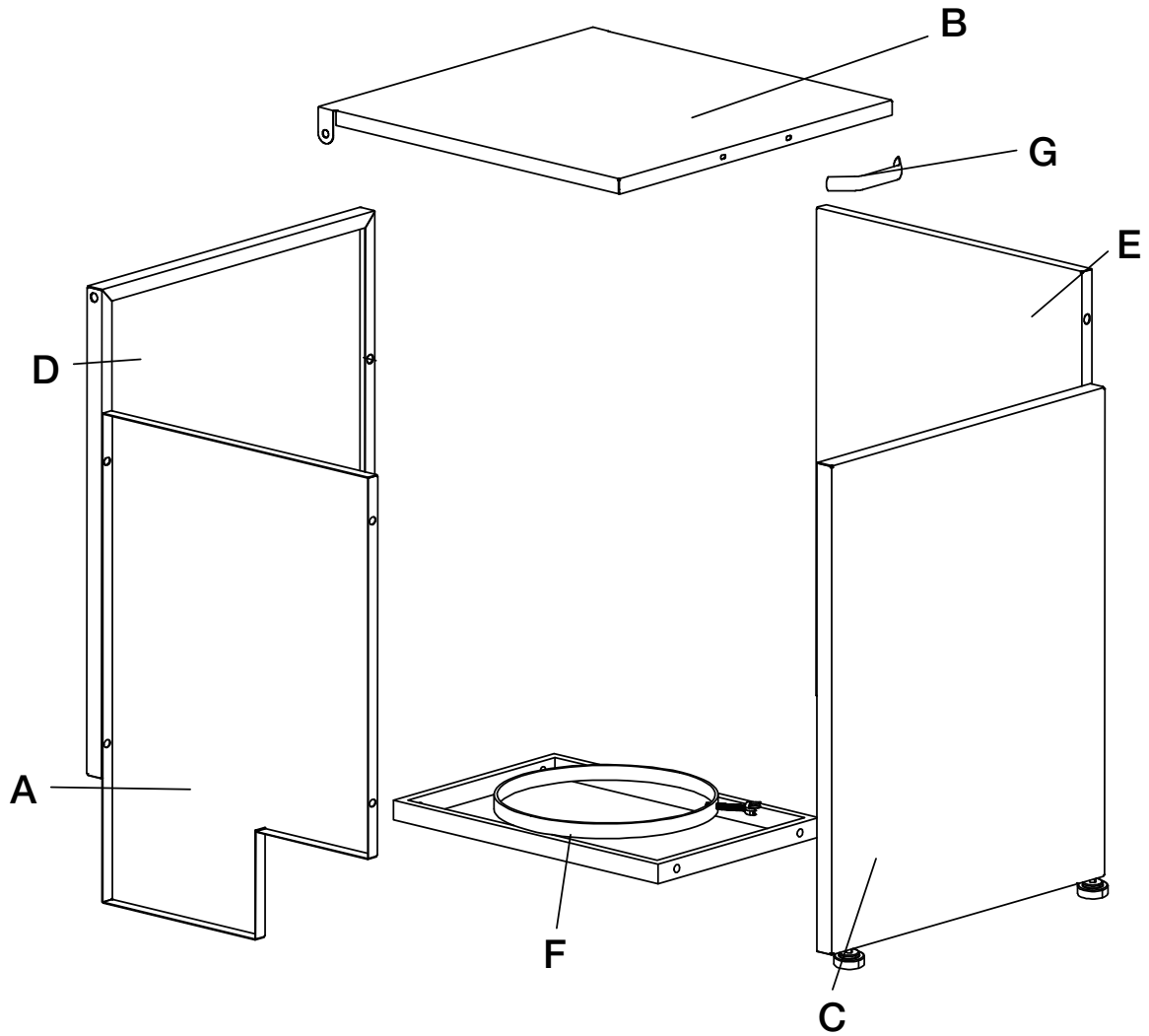
AA



BB

Item	Description	Qty
AA	M6X12 Screw	10
BB	M6X25 Screw	4

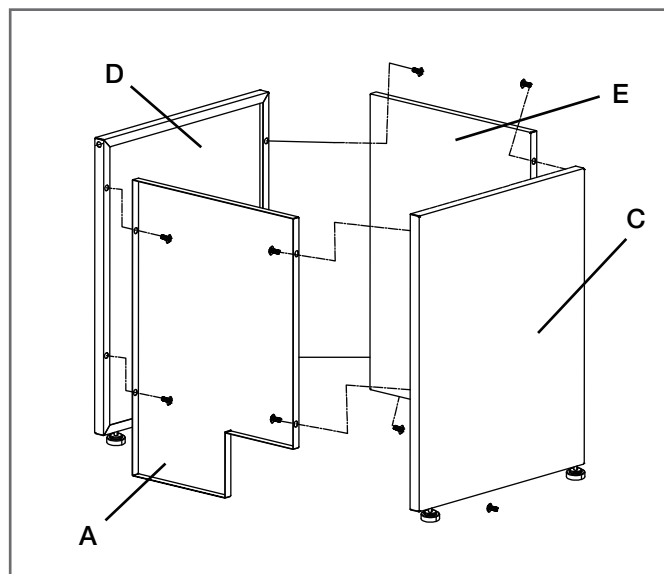
CONTENTS



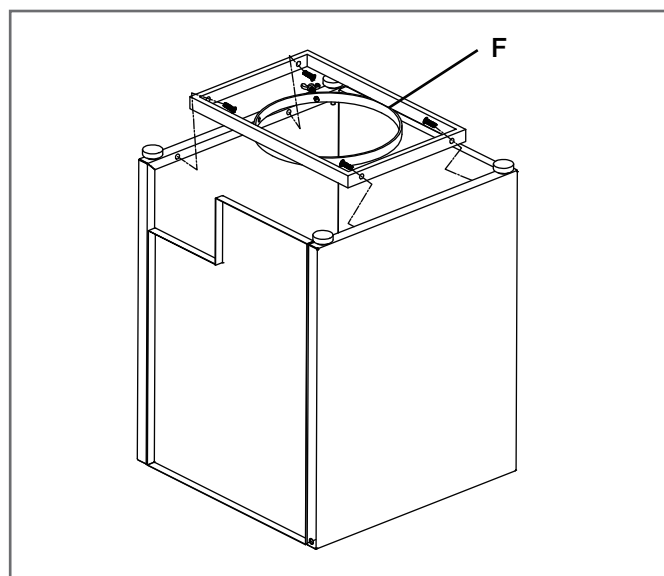
Item	Description	Qty
A	Left Side Panel	1
B	Lid	1
C	Front Panel	1
D	Back Panel	1
E	Right Side Panel	1
F	Metal Stand	1
G	Handle	1

ASSEMBLY INSTRUCTIONS

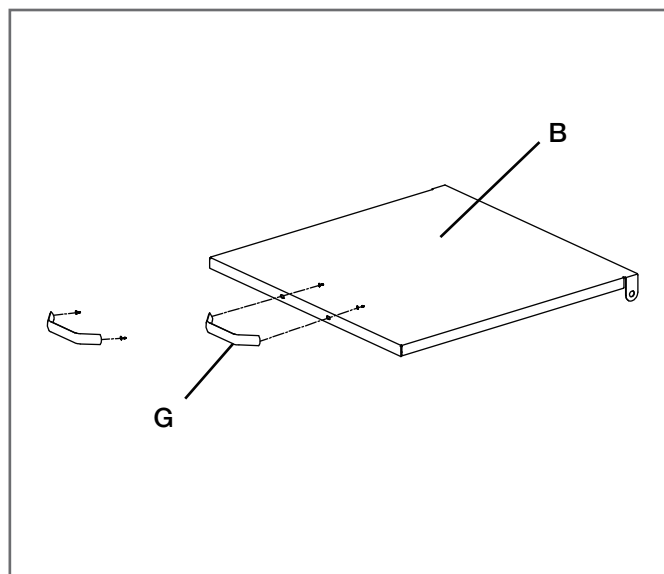
1. Attach the left panel(A), front panel(C), right panel(E) and back panel(D) with 8pcs M6X12 screws(AA), then tighten them.



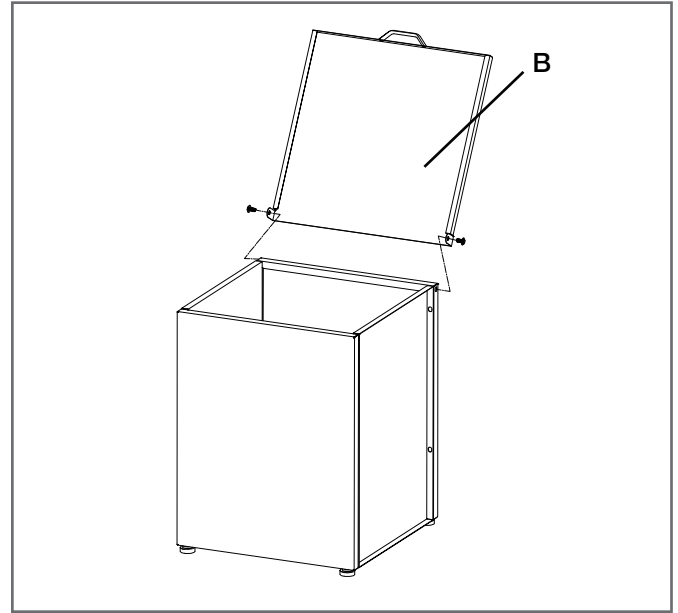
2. Turn over the body and assemble metal stand(F) to the base of the 4 assembled panels using 4pcs M6X25 screws(BB).



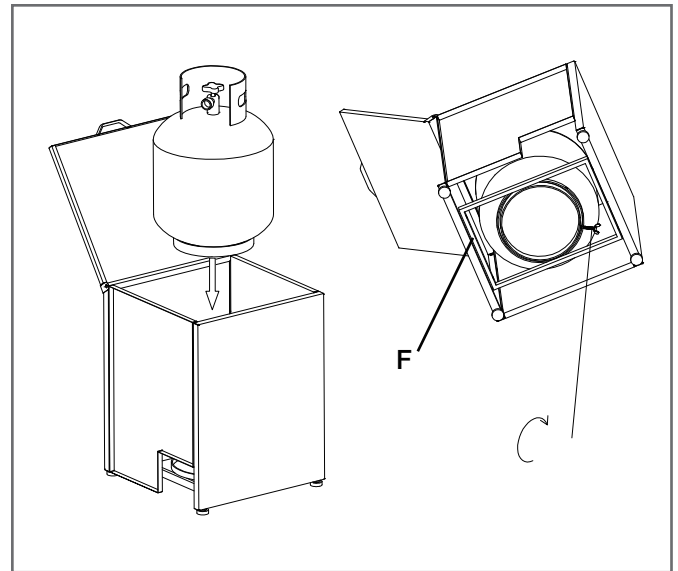
3. Screw off screws from handle(G), then assemble into the lid(B).



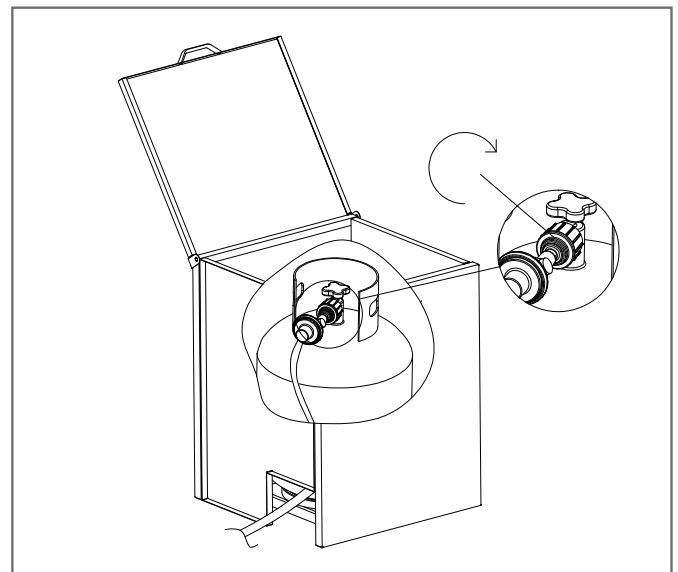
4. Assemble lid(B) into the back panel using 2pcs M6X12 screws(AA).



5. Place a 20 lb. propane gas tank (not included) on top of the stand (F). Turn the preassembled wing screw on the stand (F) to secure the propane gas tank.



6. Feed the regulator hose from your gas appliance (not included) through the opening at the bottom of the Tank Hideaway™. Connect the regulator from your gas appliance to the propane gas tank.



! CAUTION

Open the lid (B) to connect or disconnect your regulator and to open or close the gas propane tank valve. Make sure that the hose is not pressed or pinched underneath the item.

MAINTENANCE

- Store the item in a cool dry place away from direct sunlight.
- The propane gas tank must be disconnected and removed from the item before this item may be stored indoors.
- Use manufacturer approved or supplied replacement parts and accessories only. Otherwise may void the warranty of this product and result in a hazardous condition.
- Keep the item free and clear from combustible materials.