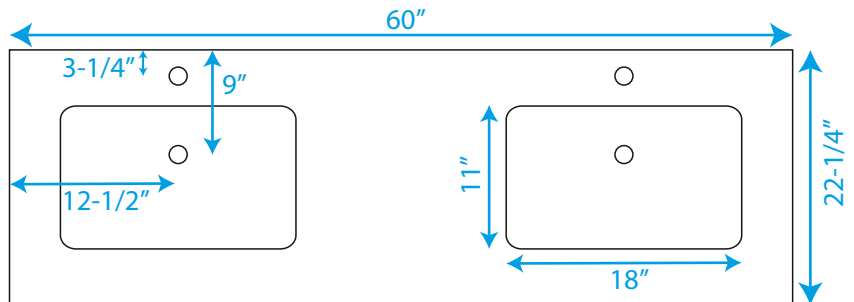
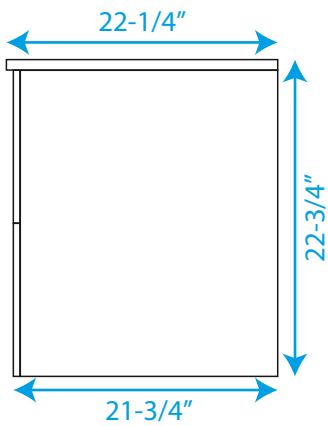
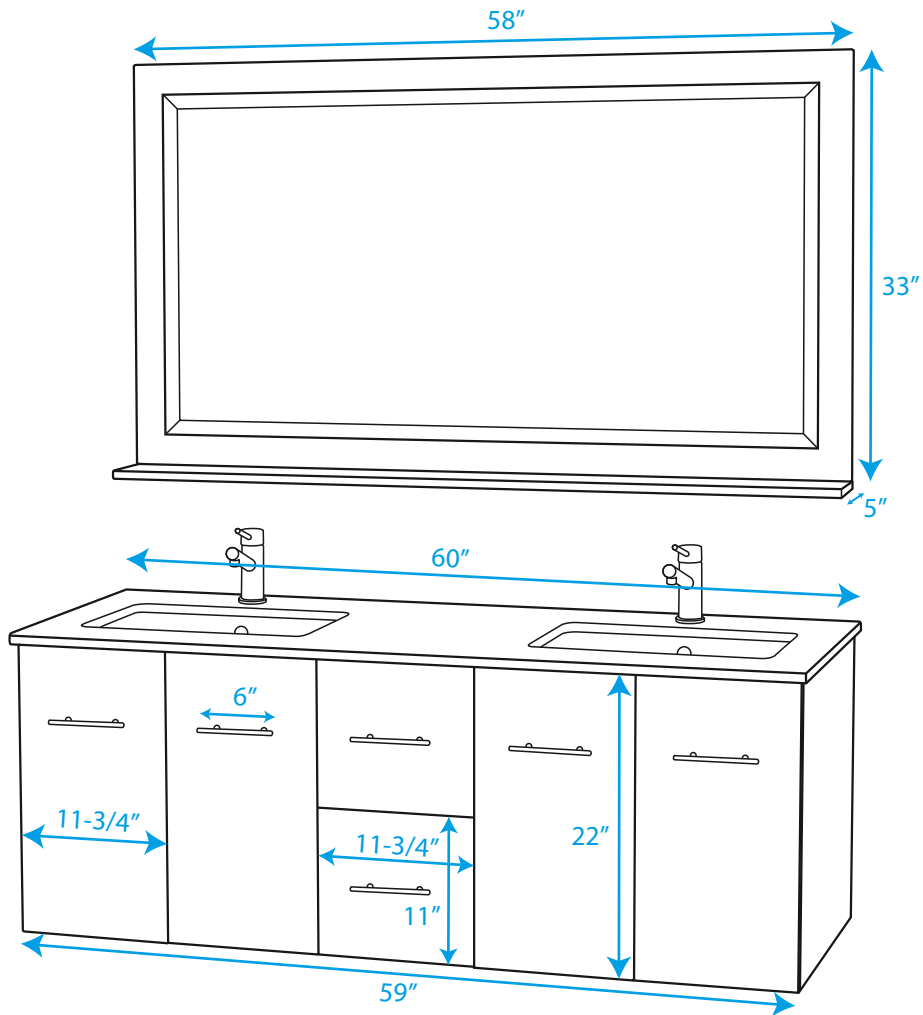


WYNDHAM COLLECTION



WC-WHE009-60-DBL