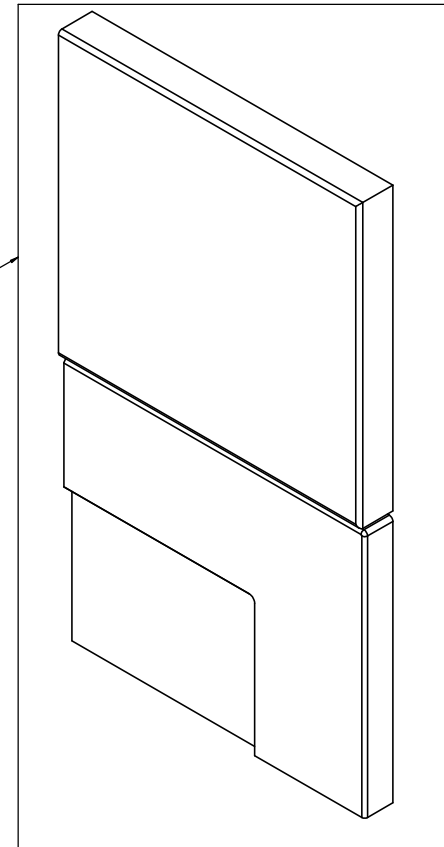
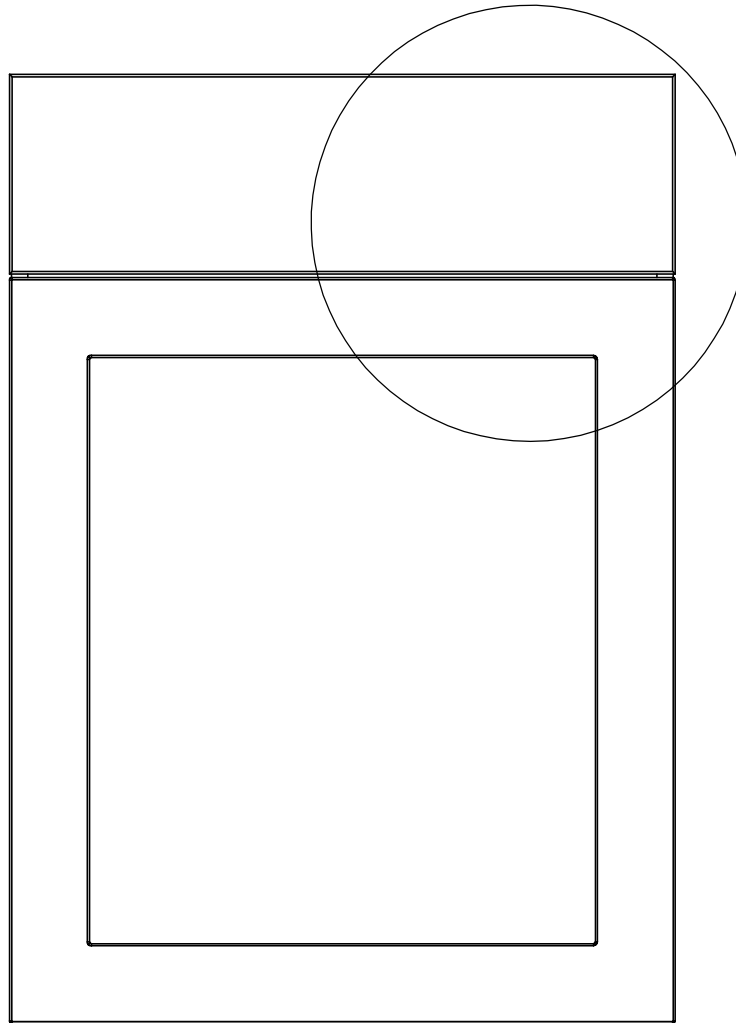


Item ID	Front Thickness [in] mm	Door Thickness [in] mm
CM2135B-WH	[.63] 16	[.63] 16

This profile belongs to CM2135B-WH

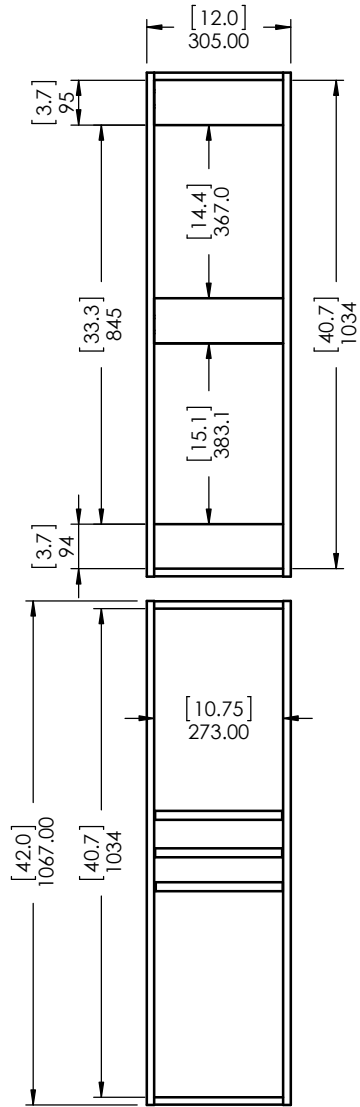


Detailed View

Profile: Cambridge White & Kitchen Gray		
PROPRIETARY AND CONFIDENTIAL THE INFORMATION CONTAINED IN THIS DRAWING IS THE SOLE PROPERTY OF WOODCRAFTERS. ANY REPRODUCTION IN PART OR AS A WHOLE WITHOUT THE WRITTEN PERMISSION OF WOODCRAFTERS IS PROHIBITED.	UNLESS OTHERWISE SPECIFIED DIMENSIONS ARE IN MM AND [INCHES] TOLERANCES ARE +.039[1]-.039[1] SCALE:1:2	

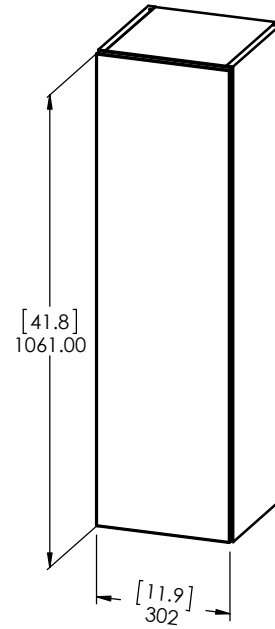
Item ID	Shelf Thickness mm (in)	Depth "X"
BT1242W-BT	19 (.75)	12.6
BT1242W-WH	19 (.75)	12.5
BT1242W-RC	19 (.75)	12.6
CM1242W-DK	19 (.75)	12.6
CM1242W-WH	15 (.59)	12.5
CM1242W-KG	19 (.75)	12.5

REV	ECO#	DESCRIPTION	REV'D BY DATE	CHK'D BY DATE	APRV'D BY DATE
0		New Release	ASG 9/22/17	ASG 9/22/17	ASG 9/22/17

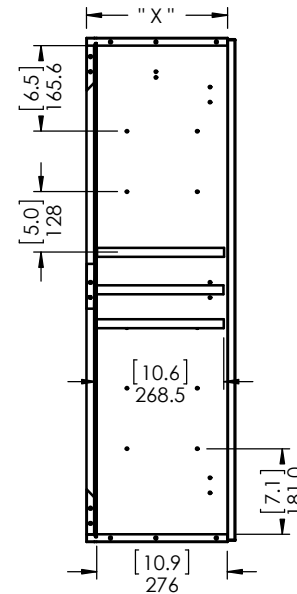
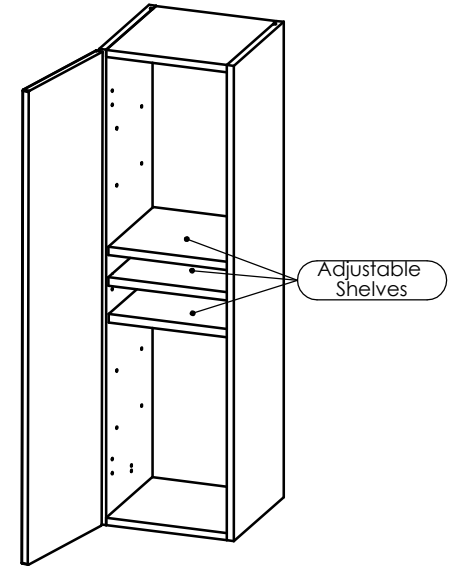


BACK VIEW

**Front View
(front door removed)**



ISOMETRIC VIEW



**Side View
(left panel removed)**

<p>PROPRIETARY AND CONFIDENTIAL THE INFORMATION CONTAINED IN THIS DRAWING IS THE SOLE PROPERTY OF WOODCRAFTERS HOME PRODUCTS L.L.C. ANY REPRODUCTION IN PART OR AS A WHOLE WITHOUT THE WRITTEN PERMISSION OF WOODCRAFTERS HOME PRODUCTS L.L.C. IS PROHIBITED.</p>	<p>UNLESS OTHERWISE SPECIFIED DIMENSIONS ARE IN mm and [inches] AND TOLERANCES ARE +/- 0.5[0.02]</p>	DRAWN BY: A.Salinas 8/23/17	
		CHECKED BY: A.Salinas 8/23/17	
		APPROVED BY: A.Salinas 8/23/17	
		DO NOT SCALE DRAWING SCALE: 1:20 SIZE: A	
<p>PART NO. Kitchen Wall Cabinet 12x42 SHEET 1 OF 1 REV: 0</p>			