

**SPECIFICATIONS**

**SINGLE HANDLE 3/4" THERMOSTATIC SHOWER VALVE ONLY**

**Model**

D155000BT

**Description**

- Dual 3/4" FIP outlets allow for either top or bottom outlet plumbing orientation
- Integrated check valves and screwdriver stops
- Requires separate volume control/shut off valve
- 16.6gpm @ 45 psi. Complies with ASSE 1016
- Use with D5620 series trim kits only

**Standards**



• UPC/cUPC

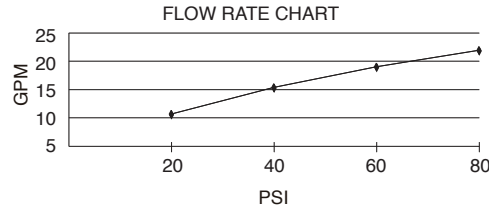
MEETS ASME  
A112.18.1M/ A112.18.1

• ASME A112.18.1M/ A112.18.1

MEETS ASSE  
1016

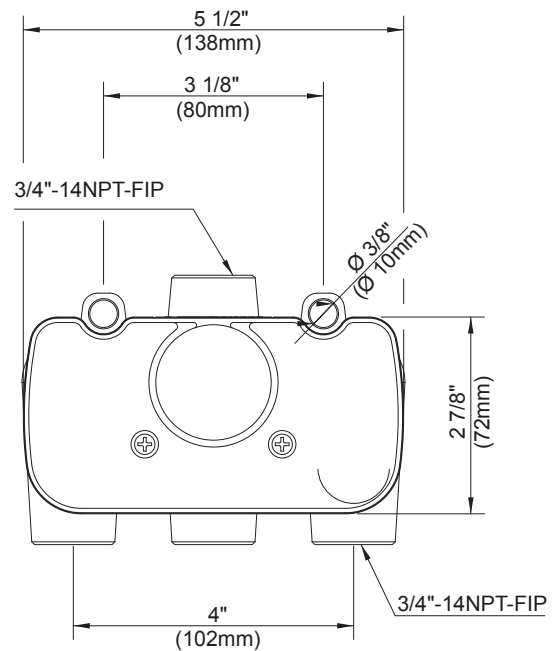
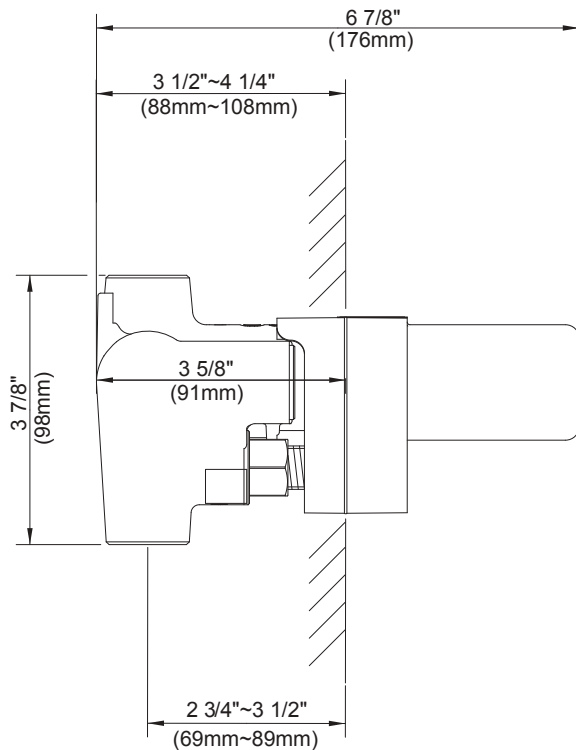
• ASSE 1016

**Flow Rate**



**Warranty**

Danze products are covered by a manufacturer's limited "lifetime" warranty for manufacturing defects.



**Submittal Information:**

Job Name: \_\_\_\_\_

Location: \_\_\_\_\_

Contractor: \_\_\_\_\_

Contact #: \_\_\_\_\_