

SUREBONDER®

Model 9600 Pneumatic Stapler



Operating Instructions

Read Safety Rules and Instructions Carefully;
Save this manual for Future Reference

For Insulation, Roofing Felt, House Wrap, Auto and Marine
Vinyl Trim, Cabinet Backs, Small Furniture, Screen Door
Repair, Molding, and Picture Frames

WARRANTY

If you have any problems with this tool, please call FPC Corporation toll-free at 1-800-860-3838 before returning it to the place of purchase.

FPC Corporation warrants this tool to be free from defects in material and workmanship, under normal conditions of use and when used in accordance with FPC operating instructions, for a period of 90 days from the date of purchase by the user. Within the 90 day warranty FPC at its option shall repair or replace tool. The tool must be returned at the distributor/user expense, either within warranty or out. Repaired or replaced tools will receive a 60 day warranty. USER MUST BE USING THE PROPER STAPLES FOR THIS WARRANTY TO BE VALID. WARRANTY IS VOID IF INCORRECT TYPE OF STAPLES ARE USED.

Visit us at surebonder.com for our full line of products



FPC Corporation - 355 Hollow Hill Drive - Wauconda, IL 60084
Phone: (847) 487-4583 Fax: (847) 487-0174
website: www.surebonder.com e-mail: sales@surebonder.com

IMPORTANT SAFETY WARNINGS:

THE SAFETY WARNINGS BELOW CANNOT COVER ALL POSSIBLE SITUATIONS THAT MAY OCCUR. THESE BASIC SAFETY PRECAUTIONS SHOULD ALWAYS BE FOLLOWED TO PROTECT AGAINST PERSONAL INJURY TO THE OPERATOR OR OTHER PERSONNEL IN THE AREA, AS WELL AS DAMAGE TO THE EQUIPMENT. READ AND UNDERSTAND THESE WARNINGS BEFORE USING EQUIPMENT.

Keep tool away from children, and DO NOT allow children near work area. Do not allow children or untrained personnel to handle this tool.

DO NOT operate this stapler while tired, or under the influence of drugs, alcohol, or medication that makes you drowsy.

Never point the stapler at yourself or others - always assume that the stapler is loaded, and proceed with caution.

Wear safety glasses and ear protection. The tool operator and all personnel in the work area must wear safety glasses that protect the front and side, to avoid eye injury. Ear plugs should be worn to avoid hearing damage.

If operator will be working in a situation where overhead work will be done (i.e. on a ladder, stairs, or scaffolding) a hard hat must be worn.

Never wear loose clothing or jewelry because it can get caught in the moving parts of this tool. Make sure long hair is covered, to avoid getting it caught in stapler.

Keep the tool pointed away from yourself and others at all times. Keep hands and all body parts away from rear area of stapler (near air hose) to guard against injury. Keep hands and feet away from firing head during use.

Keep proper balance and footing at all times - do not over-reach.

Never use oxygen, bottled gas or any type of combustible fuel as a power source - it can cause an explosion and serious injury.

Do not use near flammable liquids or gases - the stapler sparks during operation, and could cause an explosion and serious injury.

Use an air hose that will withstand at least 150 psi, OR 150% of the maximum pressure of the compressor.

Never connect this tool to compressed air if the pressure could exceed 200 psi, as the stapler could burst. Use only clean, dry, regulated compressed air, with pressure not exceeding 100 psi.

Disconnect stapler from air supply before loading staples, to prevent a staple being fired during connection to air hose.

Do not use a non-relieving coupler with this stapler - if used, the stapler could remain charged with air after disconnecting, and would still be able to drive a staple even after being disconnected. The stapler and air hose must have a coupling so that all pressure is removed from the stapler when the coupling is disconnected.

Do not depress the trigger or safety mechanism while loading staples - accidental firing of a staple can occur. Keep your fingers away from the trigger when not firing staples. Always keep the stapler pointed downward during loading.

Do not use an air hose that is too long - tool operator can trip over it. Make sure all connections are tight.

- Disconnect air hose from stapler
- before performing maintenance or loading staples
 - clearing a jam
 - when tool is not in use
 - when moving it to another location
 - when handing stapler to another person

(WARNINGS continued next page)

Seal Kit #9600-400

Includes:

Diagram No.	Description	Call for P Price
5	PACKING	
6	SEAL	
8 (2)	O-RING 18X2.4mm	
10	O-RING 3"X2.4mm	
11 (2)	O-RING 27.3X3mm	
13	O-RING 23X24mm	
14	O-RING 40X19mm	
17	O-RING 27.3X3mm	
19	JOINT GUIDE	
TOTAL PRICE:		Call for P Price

Drive Pin Kit #9600-410

Includes:

Diagram No.	Description	Call for P Price
12	DRIVER UNIT	
TOTAL PRICE:		Call for P Price

Fastener Kit #9600-420

Includes:

Diagram No.	Description	Call for P Price
2	HEX. SOC.HD. BOLT	
7	SPRING	
20	SEAL	
21	SWITCH	
22	SPRING	
23	STEPPED PIN	
32	HEX. SOC.HD. BOLT	
35	PUSHER	
38	CLICK LEVER PIN	
40	SPRING	
42	STEPPED PIN	
45	SPRING	
46	END STOPPER	
TOTAL PRICE:		Call for P Price

PARTS SOLD SEPERATELY

Dia. No.	Part No.	Description	Price Each
1	9600-01	EXHAUST COVER	not available
4	9600-04	DEFLECTOR	not available
9	9600-09	HD. VALVE PISTON	not available
15	9600-15	COLLAR	not available
16	9600-16	CYLINDER	not available
18	9600-18	BUMPER	not available
24	9600-24	TRIGGER A	not available
25	9600-25	GUN BODY UNIT	not available
26	9600-26	LOCK NUT	not available
27	9600-27	END. CAP	not available
28	9600-28	AIR PLUG	not available
33	9600-33	DRIVER GUIDE COVER A	not available
34	9600-34	DRIVER GUIDE COVER B	not available
35	9600-35	PUSHER	not available
36	9600-36	LABEL	not available
37	9600-37	MAGAZINE A	not available
39	9600-39	PLATE	not available
41	9600-41	CLICK LEVER	not available
43	9600-43	MAGAZINE B	not available
44	9600-44	SUPPORT	not available
Kit P Prices			
	9600-400	SEAL KIT	Call for P Price
	9600-410	DRIVE PIN KIT	Call for P Price
	9600-420	FASTENER KIT	Call for P Price

go to www.surebonder.com

Preparing for Use

If stapler has been stored in a cold environment, bring it to a warm area and allow it to warm up before using.

Loading

- Make sure Stapler is disconnected from Air Supply.
- Only use the proper size and type of staple with this stapler, as specified under "Staples".
- Depress the Track Release Lever to release the spring-loaded Staple Magazine; slide the magazine out (back) as far as it will go.

TO LOAD STAPLES-TURN STAPLER UPSIDE DOWN, continue to place a full strip of staples into the staple magazine, with the staple points facing upward away from the tool (Fig. 1). Slide the staple magazine closed until the track release lever snaps back into place with a click. (Closing the staple magazine while staples are loaded engages the spring-load mechanism, so it will take slightly more pressure to slide the magazine closed).

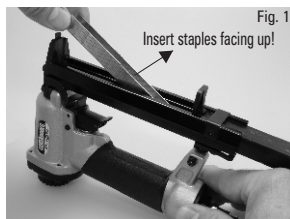


Fig. 1: **LOADING STAPLES:** Turn stapler upside down, insert strip of staples into staple magazine with staple points facing up.

Using the Stapler

- This stapler is equipped with a contact safety mechanism; the trigger will not operate unless the contact mechanism is firmly depressed against the surface to be stapled.
- Grip the body of the stapler firmly, make sure that the contact mechanism is placed securely against work surface, and pull the trigger to drive a staple.
- Remove finger from the trigger.
- To drive another staple, move the stapler to next area on work surface to be stapled, and repeat these steps.

After Stapling

- Disconnect the air hose from the stapler.
- Remove all staples from the staple magazine of the stapler.
- Place several drops of oil (included in case) into the air inlet.
- Shut off air compressor and drain any moisture from the compressor tank.
- Drain the air line filter; clean the filter element, then blow air in opposite direction to remove any dirt/debris.
- Keep lubricator filled with oil (included in case).

Clearing Staple Jams

- Disconnect the air hose from the stapler.
- Carefully remove staple strip from staple magazine.
- Remove any remaining loose staples from inside the staple magazine, using pliers to grasp the staples, if necessary.
- Once jammed staples have been removed, reload stapler.

APPLICATIONS

Including, but not limited to: insulation, roofing felt, house wrap, auto and marine vinyl trim, cabinet felt, cabinet backs, screen door repair, small furniture, light trim, molding and picture frames, and general staple use.

FEATURES

- View window for staples
- Adjustable exhaust
- Rubber hand grip for comfort
- Firing Safety mechanism
- Easy drop-in staple loading

OPERATION

The Surebonder 9600 Pneumatic Stapler is designed to use an 18 gauge, narrow crown heavy-duty wire staple in 1/4", 5/16", 3/8", 1/2", 17/32" and 9/16" leg lengths. For best results use: **Surebonder #4 Heavy-Duty Staples** (same as Arrow T50 or Stanley TRA700 Series Staples).

AIR SUPPLY

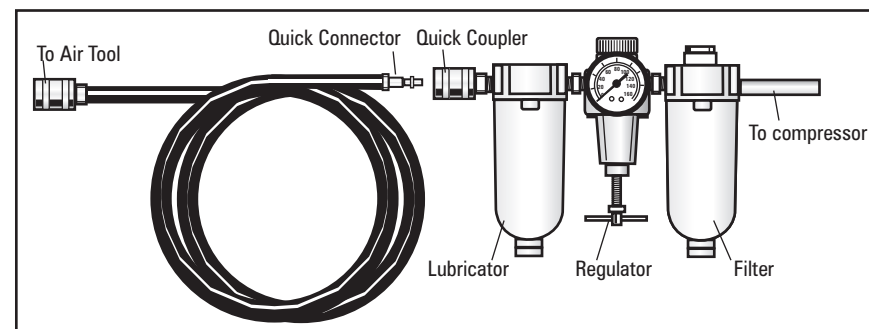
This stapler is designed to operate on clean, dry, regulated compressed air, between 60 and 100 psi. It is preferable to include an air filter, pressure regulator, and automatic oiler within 15 feet of the tool, if possible.

An air filter is needed to remove contaminants and moisture that are contained in compressed air; filtering will significantly prolong the life of the tool. If an automatic oiler is not installed, **place 5 to 6 drops of oil into the tool's air inlet at the beginning of each work day.**

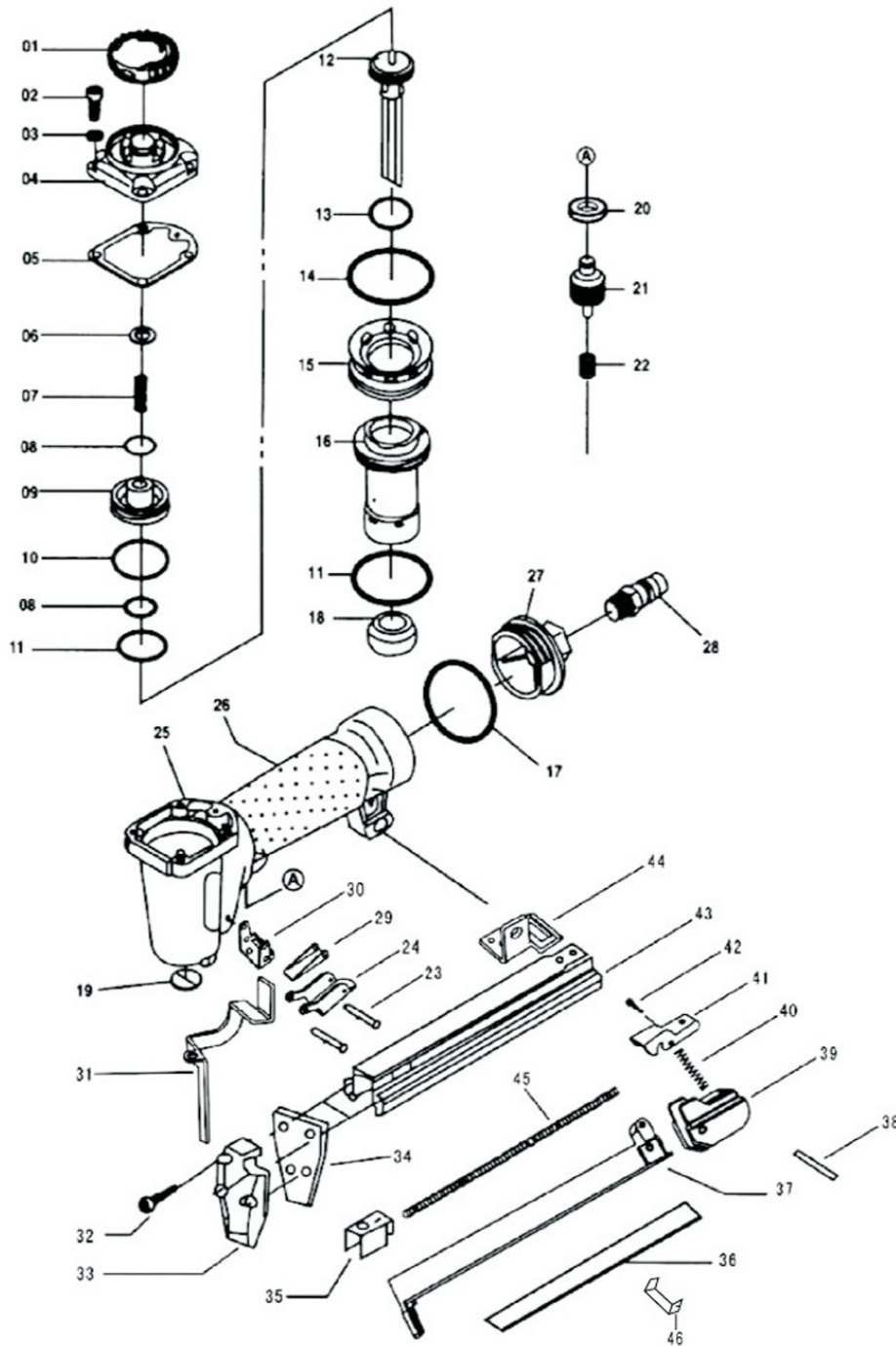
The staple gun comes factory-equipped with a male quick connector. The staple gun must always be connected to the air supply with a coupling that removes all pressure when it is disconnected.

NOTE: all components used with this staple gun (air hose, connectors, regulators, filters, etc) must be rated at 150 psi, OR 150% of the maximum compressor potential, whichever is higher. Do not connect this staple gun to a system with maximum potential air pressure greater than 200 psi.

AIR CONNECTION SETUP



Model #9600 Parts List



DO NOT place finger on trigger when disconnecting air hose - the stapler could fire when reconnected to the air supply.

Carry tool by the handle only, not by the air hose.

Do not drive staples close to the edge of the workpiece. It could split, allowing a staple to fly or ricochet and causing personal injury. Do not try to drive staples at too steep an angle. Make sure stapler is held firmly during firing to minimize recoil.

Do not drive a staple into very hard material, thin material, or on top of an existing staple - the staple could ricochet, causing personal injury.

Never use the stapler if it is leaking air, the Safety mechanism is not working, stapler has missing or damaged parts, or requires repair. Make sure all screws and caps are securely tightened.

Inspect the stapler before each use to insure that the trigger, safety mechanism, and spring are operating properly. Lock the stapler in a clean, dry storage area between uses.

Only use parts, staples, and accessories supplied or recommended by FPC Corporation. Unauthorized parts or fasteners can lead to malfunction and serious injury. Only personnel trained by FPC Corporation, the distributor, or the employer shall repair the stapler. Do not modify this tool without the written approval of FPC Corporation.

Manufacturer assumes no responsibility for consequential or indirect damages from the use of this product.

Save this manual and have it available for tool operators reference!

Specifications

Overall Dimensions:	8.9" x 8.1" x 2.2"
Operating Pressure:	60 - 100 PSI (do not exceed 120 PSI)
Magazine Capacity:	100 Staples
Air Inlet Size:	3/8" NPT
Weight of Tool:	2.9 lbs.
Staple Specs:	18 Gauge- Narrow Crown Heavy Duty Staples 1/4", 5/16", 3/8", 1/2", 9/16" leg lengths

