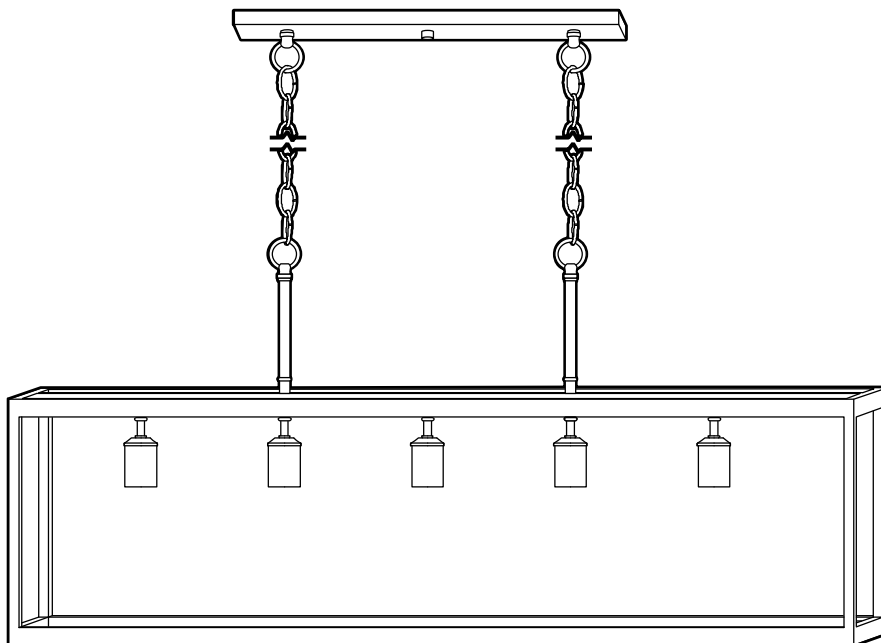


USE AND CARE GUIDE

BOSWELL QUARTER 5-LIGHT LINEAR CHANDELIER



Questions, problems, missing parts? Before returning to the store,
call Home Decorators Collection Customer Service
8 a.m. – 7 p.m., EST, Monday – Friday, 9 a.m. – 6 p.m., EST, Saturday

1-800-986-3460

HOMEDEPOT.COM/HOMEDECORATORS

THANK YOU


We appreciate the trust and confidence you have placed in Home Decorators Collection through the purchase of this light fixture. We strive to continually create quality products designed to enhance your home. Visit us online to see our full line of products available for your home improvement needs. Thank you for choosing Home Decorators Collection!


Table of Contents


Table of Contents.....	2	Hardware Included.....	3
Safety Information.....	2	Package Contents	4
Warranty	2	Installation	5
Pre-Installation	3	Care and Maintenance	7
Planning Installation	3	Troubleshooting.....	7
Tools Required	3		


Safety Information


Read and understand this entire manual before you attempt to assemble, install, or operate this product.

 **WARNING:** Read instructions carefully and turn off the electricity at the main circuit breaker panel before you begin this installation.

 **WARNING:** If any special control devices are used with this fixture, follow the instructions carefully to assure full compliance with N.E.C. requirements. If there are any questions, contact a qualified electrical contractor.

 **WARNING:** This product contains chemicals known to the State of California to cause cancer, birth defects, and/or other reproductive harm. Thoroughly wash hands after installing, handling, cleaning, or otherwise touching this product.

 **WARNING:** Risk of fire. 90°C supply conductors. Consult a qualified electrician to ensure the correct branch circuit conductor.

 **CAUTION:** All glass is fragile. Use care when handling glass shades and bulbs.

Warranty

The manufacturer warrants this lighting fixture to be free from defects in materials and workmanship for a period of three (3) years from the date of purchase. This warranty applies only to the original consumer purchaser and only to products used in normal use and service. If this product is found to be defective, the manufacturer’s only obligation, and your exclusive remedy, is the repair or replacement of the product at the manufacturer’s discretion, provided that the product has not been damaged through misuse, abuse, accident, modifications, alterations, neglect, or mishandling. This warranty shall not apply to any product that is found to have been improperly installed, set-up, or used in any way not in accordance with the instructions supplied with the product. This warranty shall not apply to a failure of material or workmanship. This warranty shall not apply to the finish on any portion of the product, such as surface and/or weathering, as this is considered normal wear and tear. The manufacturer does not warrant and specially disclaims any warranty, whether express or implied, of fitness for a particular purpose, other than the warranty contained herein. The manufacturer specifically disclaims any liability and shall not be liable for any consequential or incidental loss or damage, including but not limited to any labor / expense costs involved in the replacement or repair of said product.

Contact the Customer Service Team at 1-800-986-3460 or visit www.HomeDepot.com/HomeDecorators.

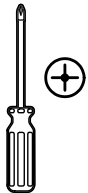
Pre-installation

PLANNING INSTALLATION

Before beginning installation, make sure all parts are included using the Hardware Included and Package Contents sections. If any part is missing or damaged, do not attempt to assemble, install, or operate the product.

To avoid damaging this product, place it on a soft, non-abrasive surface, such as carpet or cardboard.

TOOLS REQUIRED



Phillips screwdriver



Pliers



Wire stripper



Safety glasses



Electrical tape



Ladder




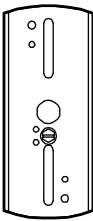
Drill



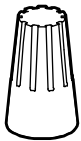
1/8 in. and 3/8 in. Drill bits

HARDWARE INCLUDED

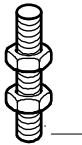
 **NOTE:** Hardware not shown to actual size.



AA



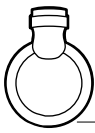
BB



CC



DD



EE



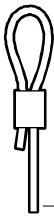
FF



GG



HH

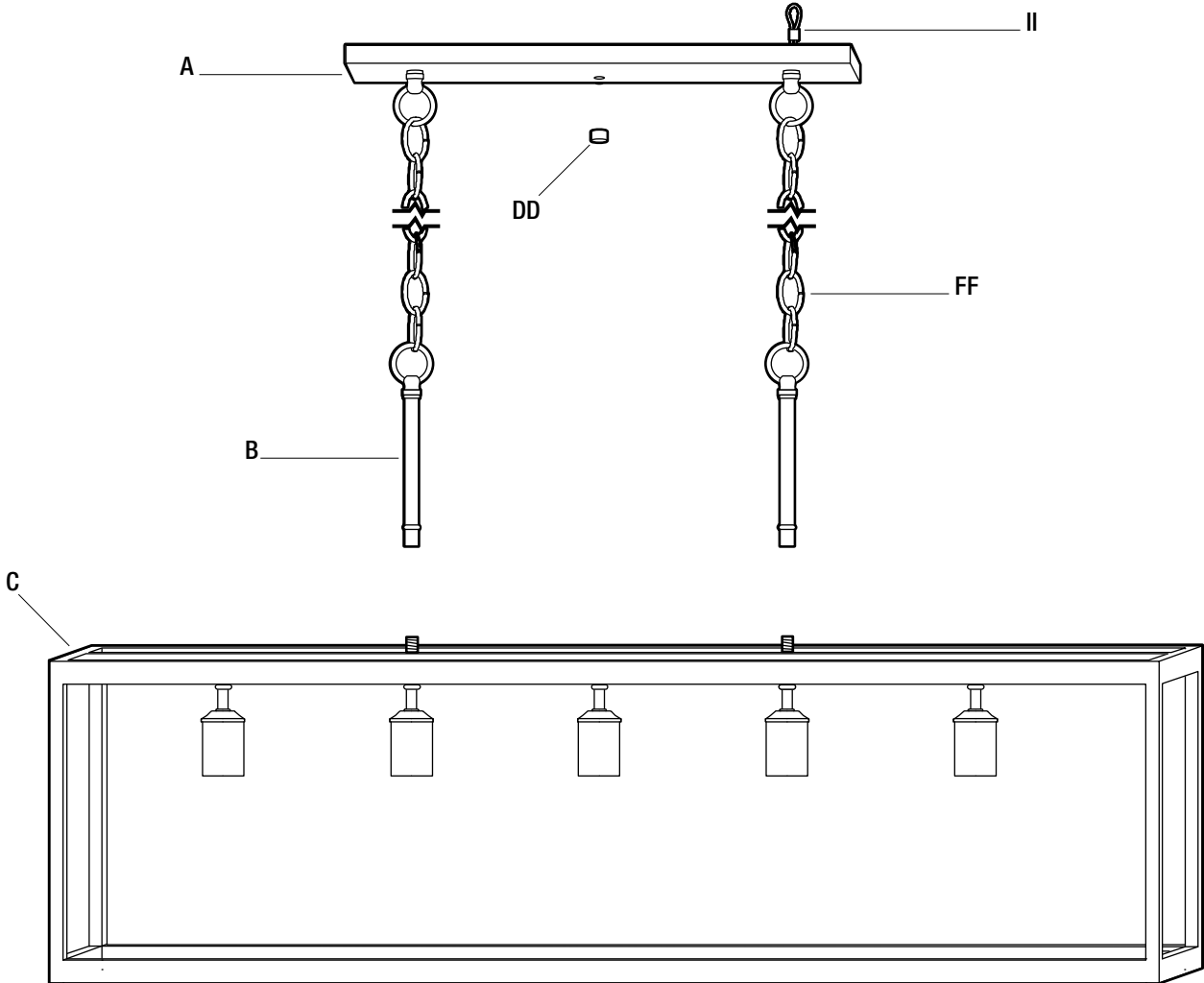


II

Part	Description	Quantity
AA	Mounting strap	1
BB	Wire nut	3
CC	Nipple with hex nuts (preassembled)	1
DD	Finial	1
EE	Chain loop (preassembled)	4
FF	Chain	2
GG	#8 x 11/16 screw	1
HH	Flat washer	1
II	Support cable (preassembled on Canopy (A))	1

Pre-installation (continued)

PACKAGE CONTENTS

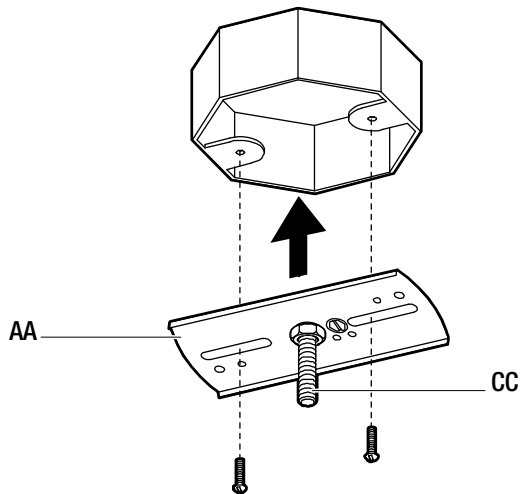


Part	Description	Quantity
A	Canopy	1
B	Stems	2
C	Fixture body	1

Installation

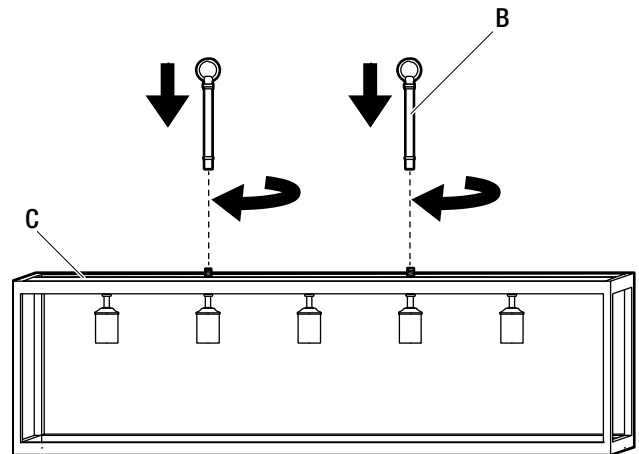
1 Installing the mounting strap

- The nipple with hex nuts (CC) is preassembled on the mounting strap (AA). Ensure the nipple with hex nuts (CC) is tightened securely to the mounting strap (AA).
- Install the mounting strap (AA) to the junction box using the junction box screws (not provided). Ensure the nipple (CC) protrudes away from the junction box as shown.



2 Assembling the fixture

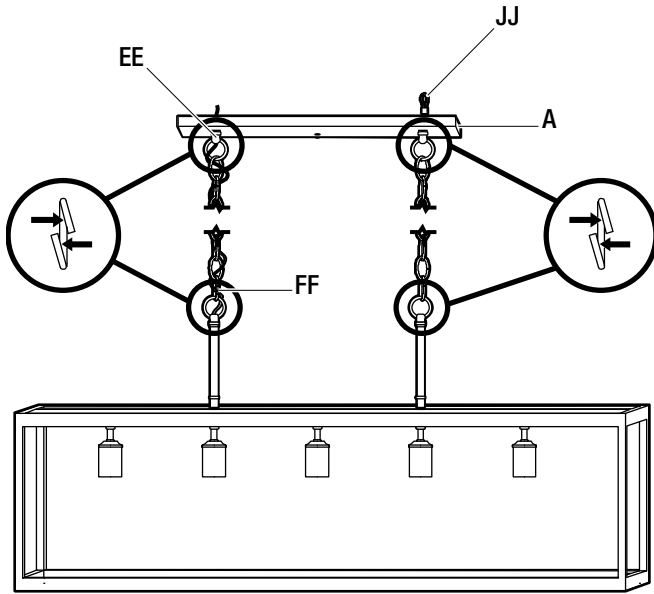
- Screw the stems (B) into the fixture body (C). Secure the stems tightly.



Installation (continued)

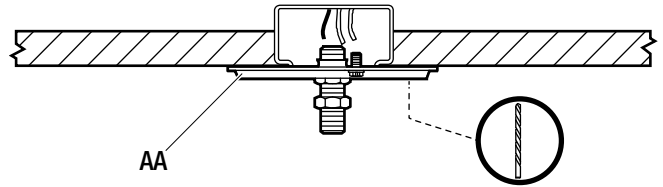
3 Preparing the wires, chains and canopy

- (optional) Shorten the chain length and wires to your desired hanging length.
- Weave the wires through the chain (FF), chain loop (EE), and canopy (A). Open a chain link at each end of the chain (FF) and attach both ends of the chain (FF) to the chain loops (EE) pre-attached at the canopy (A) and fixture stem (B). Close the chain links.

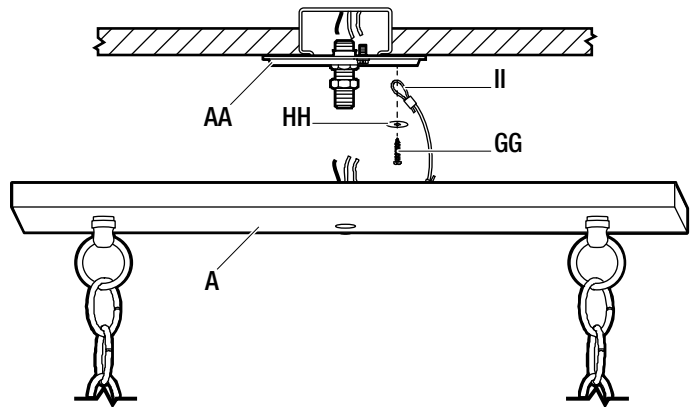


4 Installing the support cable

- Using a 1/8 in. drill bit, drill a pilot hole for the cable support screw (GG) in the ceiling. See reference dimension for estimate location.

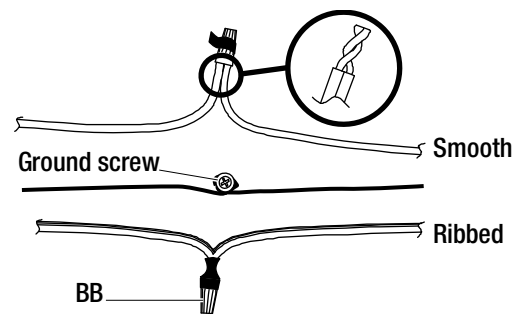


- Next, assemble the screw (GG) into the flat washer (HH) and through the loop in the support cable (II) and install into the previously drilled pilot hole in the ceiling.



5 Connecting the wires

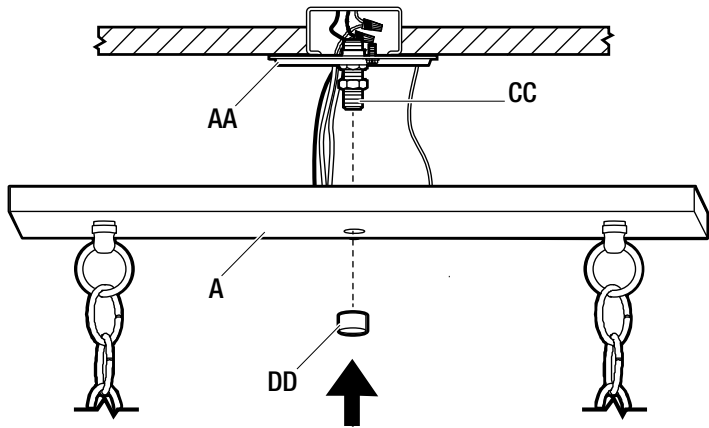
- Strip 3/8 in. of insulation from the wire ends of the fixture.
- Using wire nuts (BB), connect the RIBBED fixture wire to the white (neutral) supply wire from the junction box. Then connect the SMOOTH fixture wire to the black (live) supply wire from the junction box.
- Connect the ground wire from the junction box and the ground wire from the fixture to the ground screw on the mounting strap (AA). Tighten the ground screw to secure both ground wires to the mounting strap (AA).
- Wrap electrical tape (not included) around the wire nuts (BB), and ensure they are secure. Then push all wire connections into the outlet box.



Installation (continued)

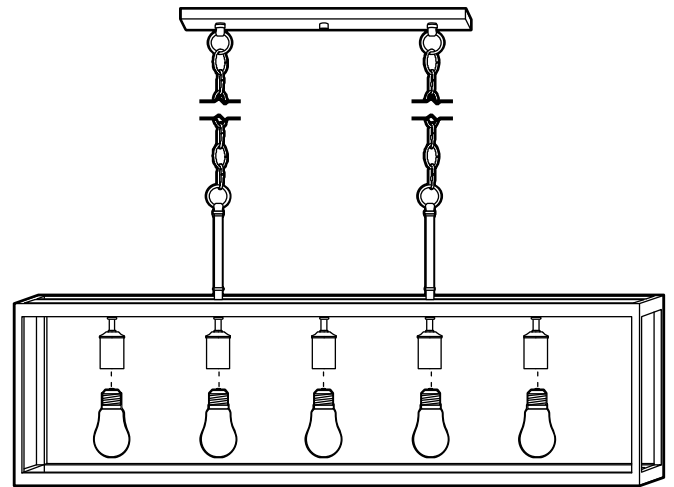
6 Hanging the fixture on the ceiling

- Attach the fixture canopy (A) onto the nipple (CC) protruding from the mounting strap (AA) and secure tightly to the ceiling using the finial (DD).



7 Installing the bulbs

- Screw bulbs (not included) into the fixture sockets. This fixture uses 100-watt MAX, incandescent, medium-base, SBCFL or SBLED bulbs. Ensure that you do not exceed the recommended wattage.



Care and Maintenance



WARNING: Before you perform any cleaning or maintenance work, turn off the electricity at the main circuit breaker panel.

- Wipe the fixture with a damp, soft cloth. Do not use any abrasive cleaners or cleaners that contain alcohol.
- When replacing bulbs, use 100-watt MAX, incandescent, medium-base, SBCFL or SBLED bulbs.

Troubleshooting

Problem	Possible Cause	Solution
The light will not turn on.	A bulb is burned out.	Replace the bulb.
	The power is off.	Ensure the power supply is on.
	There is a faulty wire connection.	Check the wiring. Contact a qualified and licensed electrician if you are not comfortable troubleshooting wiring problems.
	There is a faulty switch.	Test or replace the switch.
The fuse blows or the circuit breaker trips when the light is turned on.	There are crossed wires or the power wire is grounding out.	Discontinue use of the fixture. Check the wire connections or contact a qualified electrician.

HOME DECORATORS COLLECTION

Questions, problems, missing parts? Before returning to the store,
call Home Decorators Collection Customer Service
8 a.m. – 7 p.m., EST, Monday – Friday, 9 a.m. – 6 p.m., EST, Saturday

1-800-986-3460

HOMEDEPOT.COM/HOMEDECORATORS

Retain this manual for future use.