

# ASSEMBLY INSTRUCTIONS

## Athens Arbor / Arch

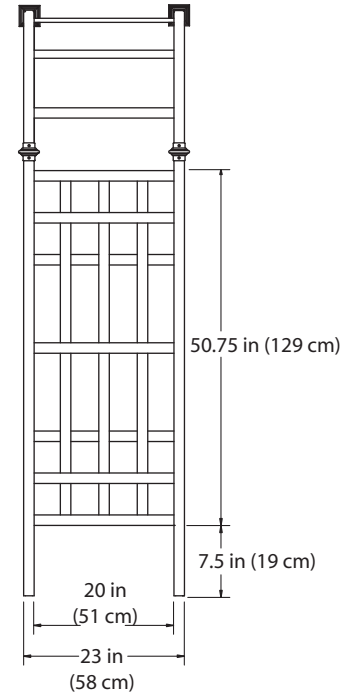
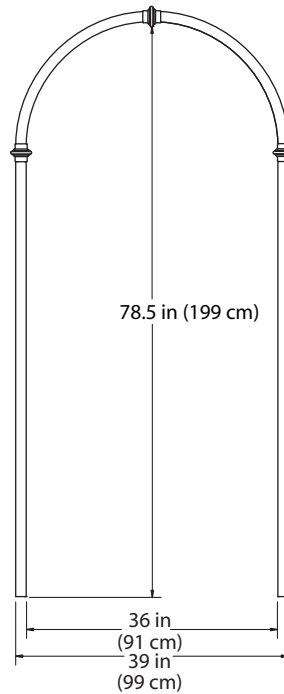
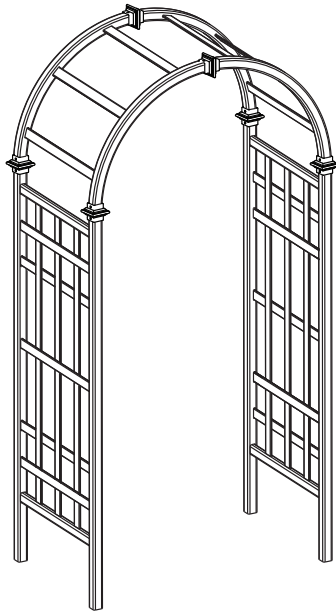
## Sierra Composite Arbor / Arch

New England  
Arbors

Leadership by Design

[www.newenglandarbors.com](http://www.newenglandarbors.com)

[www.newenglandarbors.co.uk](http://www.newenglandarbors.co.uk)



Please read through before starting assembly.

**IMPORTANT: CHECK THE INSIDE OF YOUR POSTS FOR ALL MATERIALS.**

### Check Box for These Contents

In the event of missing or defective parts please call our customer service dept. at **1 800 282 9346** (Mon. to Fri. 8:00 AM to 4:00 PM EST). (UK Tel: **(44) 2038 687160** (Mon. to Fri. 8~1:00 PM to 10:00 PM GMT).

1. Post Caps (6) - 10600 White / 14066 Composite
2. Arches (4) - 10601 White / 14067 Composite
3. Arch Rafters (6)\* - 10602 White / 14068 Composite
4. Side Panel Horizontal Top Rails (2) - 10603 White / 14072 Composite
5. Posts (2 L's & 2 R's) - 10604-L & 10604-R White / 14070 Left & 14069 Right Composite
6. Side Panel Horizontal Spindles (10)\* - 10605 White / 14068 Composite
7. Side Panel Vertical Spindles Long (6) - 10606 White / 14071 Composite
8. Side Panel Horizontal Bottom Rails (2) - 10603 White / 14072 Composite
9. Ground Anchoring Stakes (4) - 10608-1 White / 14073 Composite
10. 5/8" (1.6 cm) Self-Augering Stainless Steel Screws - (48) - 20016 White / 20030 Composite

\*) Arch Rafters & Side Panel Horizontal Spindles are the same parts.

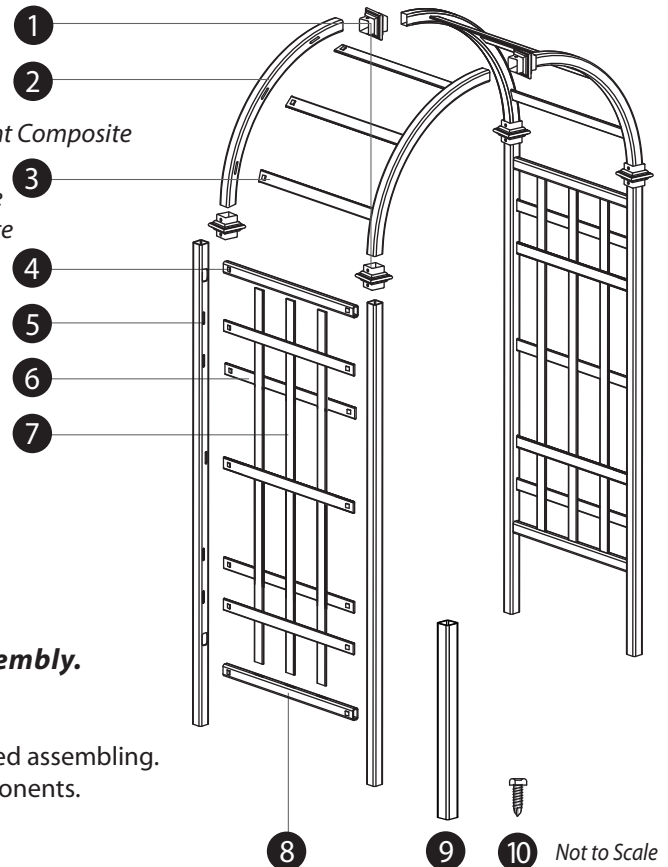
### Tools You Will Need

- Cordless Drill
- Level
- Stool or Short Ladder
- Shovel
- Cement (For Installation)

### General Information

**Read Instructions through carefully before beginning assembly.**

- When assembling components, place on a non-abrasive surface (i.e. shipping box) to avoid scratching.
- We recommend an area approx 10'x 8' (3 m x 2.5 m) for unobstructed assembling.
- You should not need to use excessive force when assembling components.



**PLEASE NOTE:**

**All of the horizontal rails, spindles and arch rafters have locking tabs located at both ends. Once inserted and pushed into the routed holes, they will lock into place permanently.**

## STEP ONE

### Assemble the Arch System

**1**

Slide post caps into position as illustrated. Push firmly until the arches bottom out inside the post caps.

**2**

Join arches together as illustrated.

**3**

Fasten 4 screws in post cap at top of arch as illustrated (Fig. 1), and repeat for other arch. Fasten 2 screws in top portion of post caps at bottom of arch (Fig. 2), and repeat for other arch.

**4**

Insert arch rafters (6) into the holes on the arches until they bottom out inside the arches. There are "locking tabs" located at each end of the rafters that once inserted into the holes will lock into place.

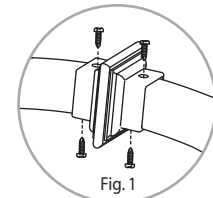
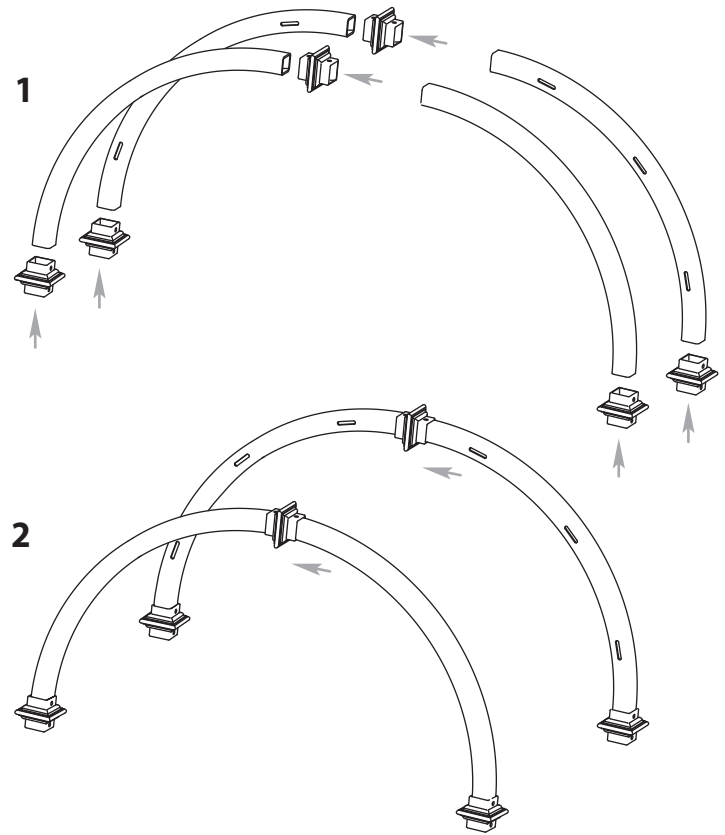


Fig. 1

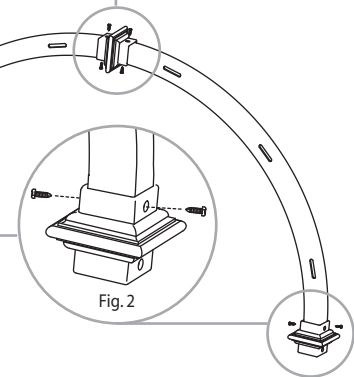
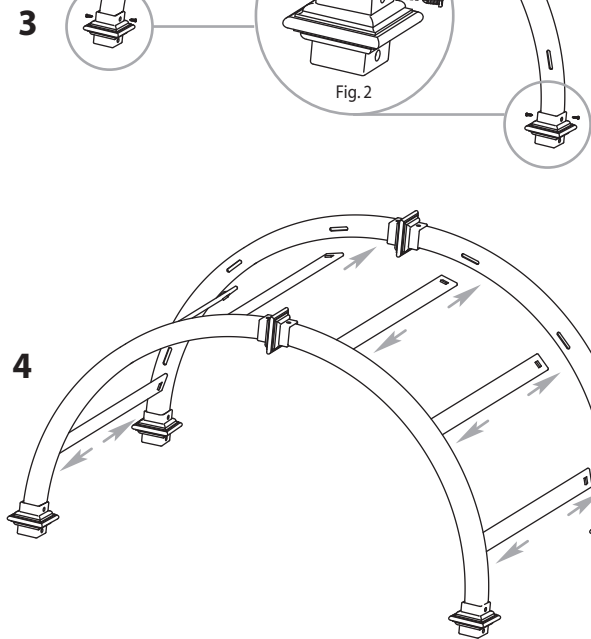


Fig. 2



## STEP TWO

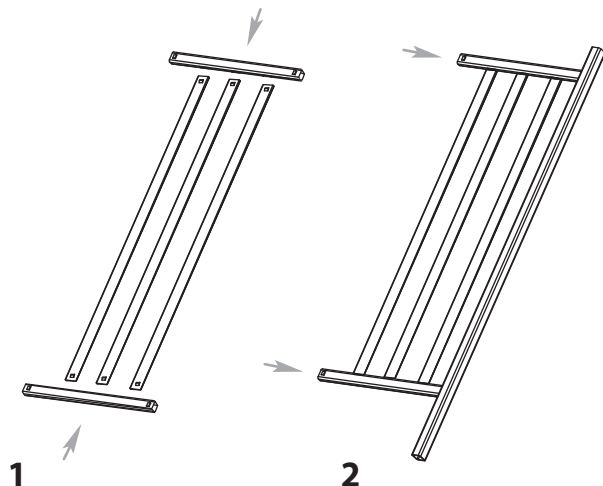
### Assemble the Side Panels

**1**

Lay out the side panel horizontal top and bottom rails and three of the side panel vertical spindles. Push the horizontal top and bottom rails down over the verticals to lock into place.

**2**

Lay out the one post (L or R) with holes facing sideways, and insert the top and bottom horizontal rails as illustrated.



(Continued on following page...)

**3**

Insert the horizontal spindles into the posts in the 'sandwich' pattern as illustrated.

**4**

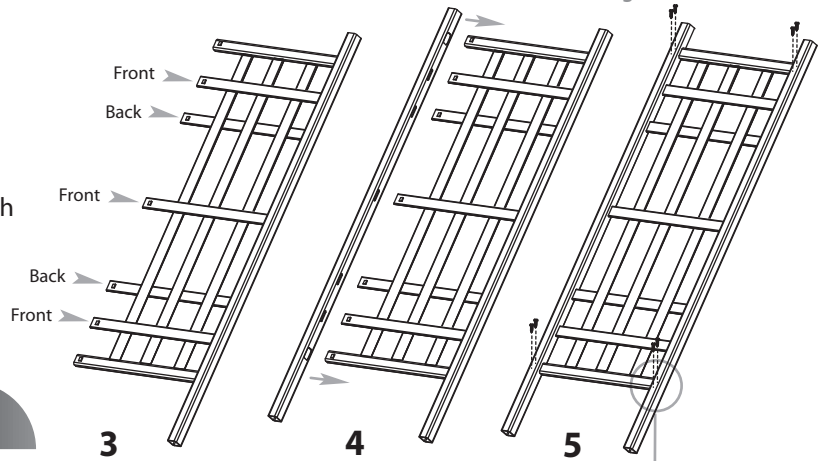
Lay out the **opposite post** from point #2 as illustrated and complete the side panel by inserting it into the post.

**5**

Fasten the horizontal side panel rails at the intersection of each post with 2 screws. This will stiffen your side panel.

**6**

Repeat for other side panel.



## STEP THREE

### Connect Arch System to Side Panels

**1**

Set out both side panels (36" (91.4 cm) opening between inside of posts)

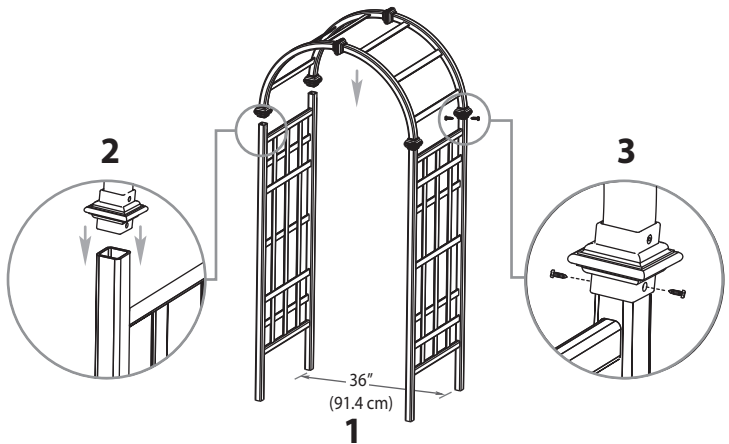
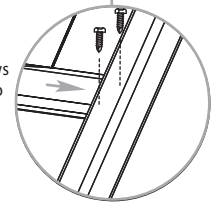
**2**

Place the assembled arch over the side panels and push down until the post tops bottom out inside the post caps. You will need a helper for this step.

**3**

Fasten the assembled arch system to the posts by installing screws into the two pre-drilled holes provided on the bottom of each post cap.

Position Screws  
Diagonally to  
Each Other



## STEP FOUR

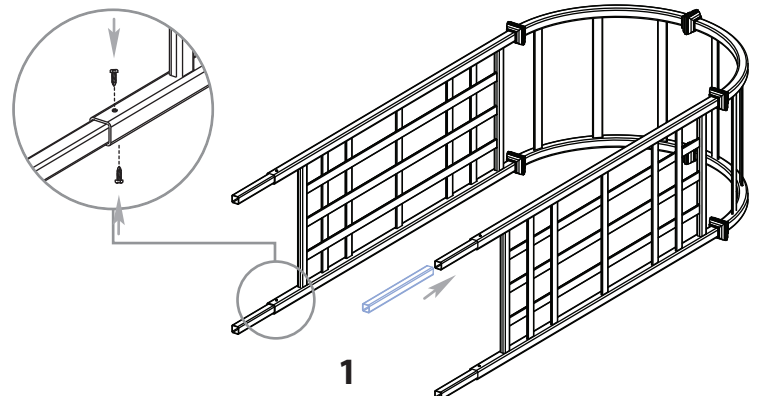
### Arbor Installation

*Arbors must be well secured to prevent tipping over from wind load etc. We have provided four ground anchors for securing the arbor either into the ground or a concrete footing. In some cases it may be acceptable to secure the arbor to an existing structure such as a fence post. If you are installing your arbor on concrete or a deck, see your hardware store for the appropriate galvanized bracketing hardware.*

### Ground Stakes Installations

**1**

Slide the four ground anchoring stakes into the bottom of each posts until it bottoms out and secure with two screws, one on the outer side and one on the inner side of the post as shown.



# Arbor Installation

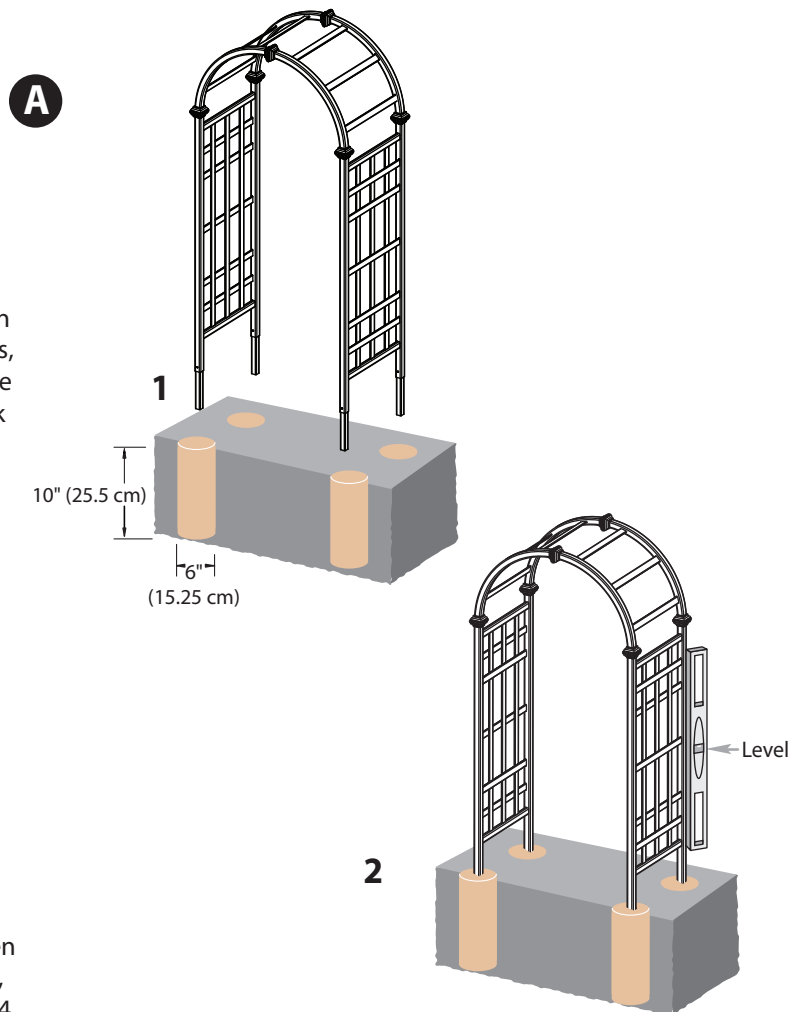
## A Into Earth (temporary Installation)

1

Move the arbor to its final location (you will need a helper). When you are satisfied with the location, mark the locations of the posts, then move the arbor aside and lay it carefully on its side. Excavate 4 holes approx. 10" (25.5 cm) deep. Carefully move the arbor back into position and level it both vertically and horizontally.

2

Backfill the holes with the excavated soil to cover the anchors.



## B Into Earth With Concrete Footing

1

Similar to the above steps, move the arbor to its final location. When you are satisfied with the location, mark the locations of the posts, then move the arbor aside and lay it carefully on its side. Excavate 4 holes approx. 18" (45.75 cm) deep, 6" (15.25 cm) diameter.

2

Fill the holes with wet cement flush to the ground. You will need 2 bags of pre-mix concrete (purchase separately). Carefully move the arbor back into position.

3

Support the arbor and level over the holes with bricks, stones or blocks of wood under the bottom rail of the side panel. The post bottoms should insert themselves approximately 1" (2.5 cm) into the concrete. Allow the concrete to set.

