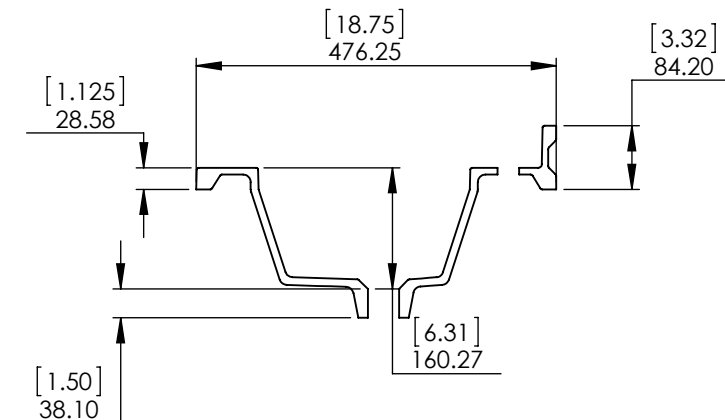
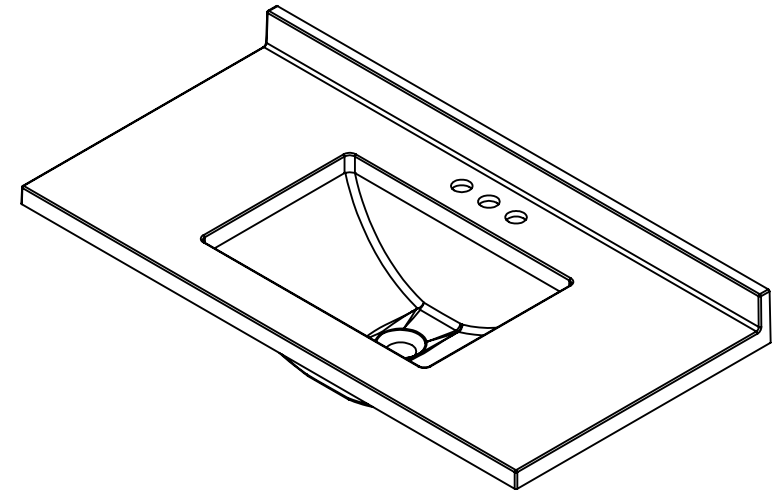
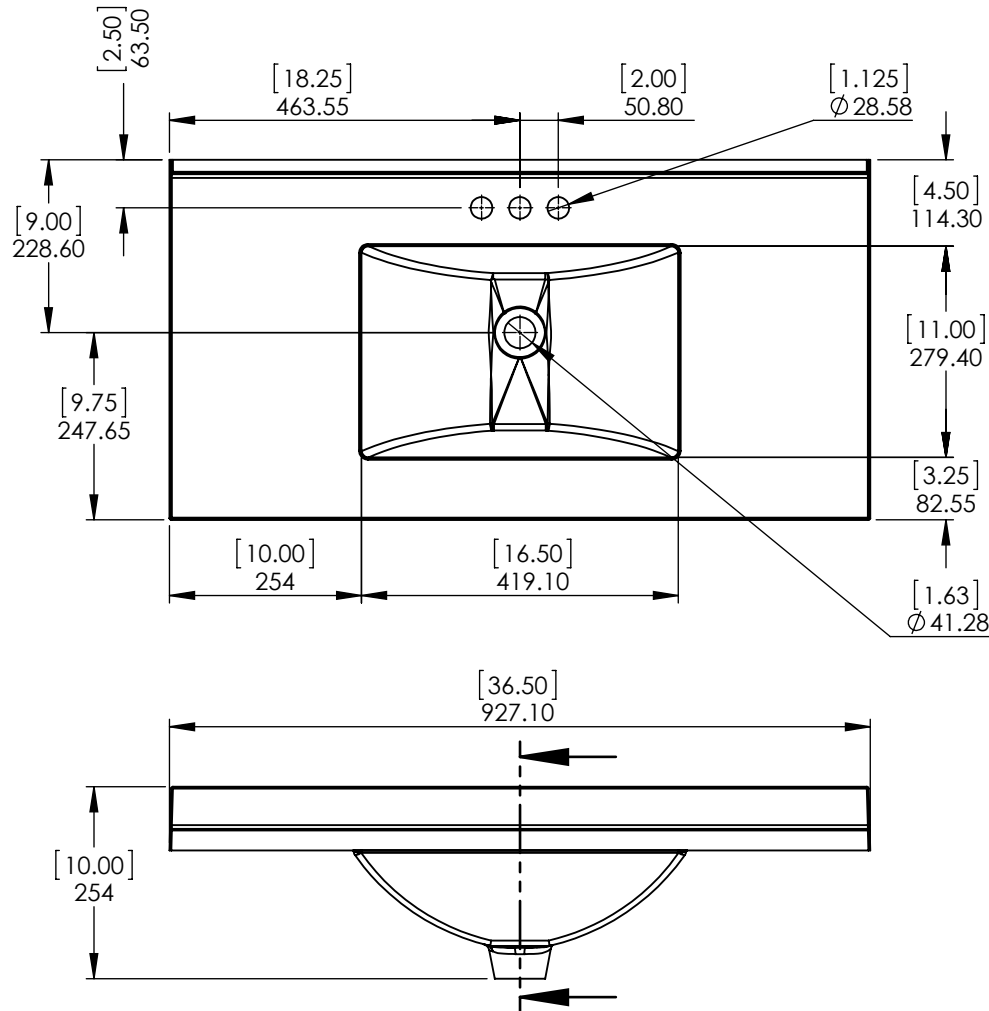


ID	Description	Technology	Status
595455	Vtop Rect 36.5x18.75 White	Solid White	Approved for production
595458	Vtop Rect 36.5x18.75 SS Autumn	Solid Surface	Approved for production

Rev #	Approved by	Change
0	R. Rubio	Released



NOTE: MAX. WARPAGE
TOLERANCE 1/8"

PROPRIETARY AND CONFIDENTIAL
THE INFORMATION CONTAINED IN THIS DRAWING IS THE
SOLE PROPERTY OF WOODCRAFTERS. ANY
REPRODUCTION IN PART OR AS A WHOLE WITHOUT THE
WRITTEN PERMISSION OF WOODCRAFTERS IS PROHIBITED.

UNLESS OTHERWISE SPECIFIED
DIMENSIONS ARE IN MM.
AND (INCHES)
TOLERANCES ARE
+ 0.125 [3.175] - 0.125 [-3.175]
SCALE:1:10

	NAME	DATE
DRAWN	R. Rubio	11/01/16
CHECKED	R. Rubio	11/01/16
ENG APPR.	R. Rubio	11/01/16
MFG APPR.	C. Leal	11/01/16

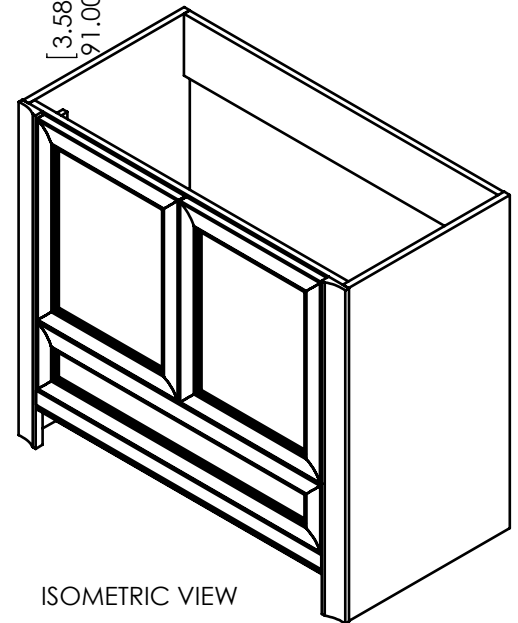
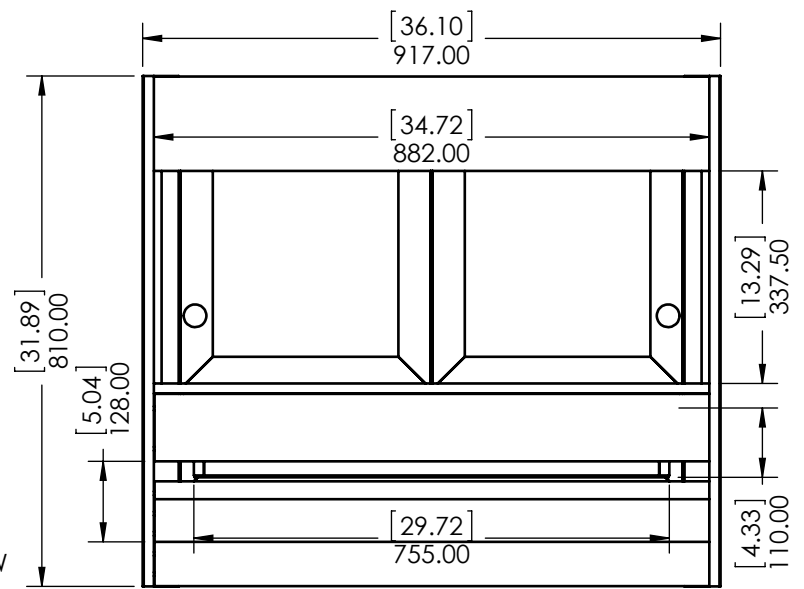
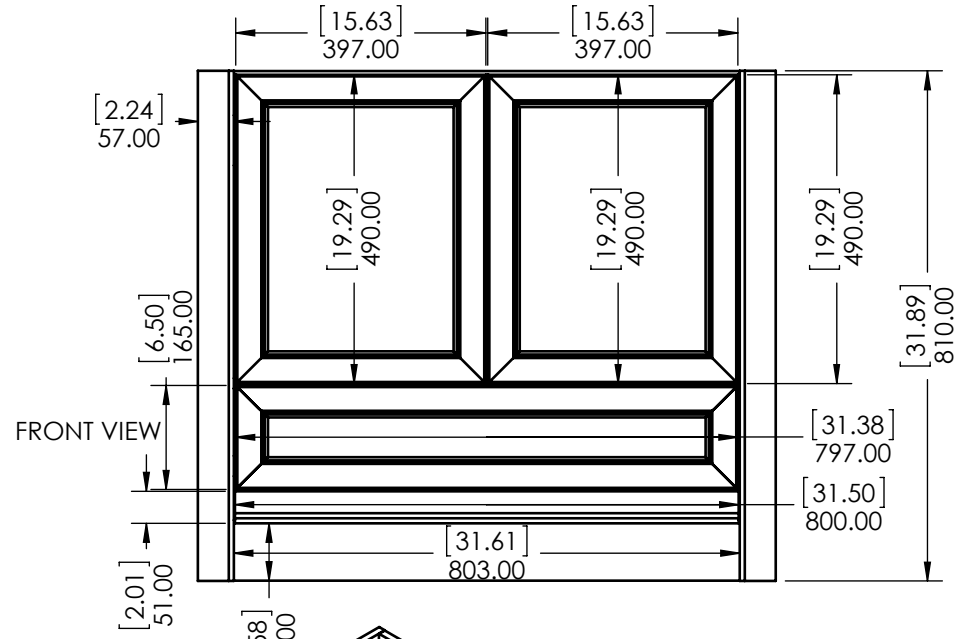
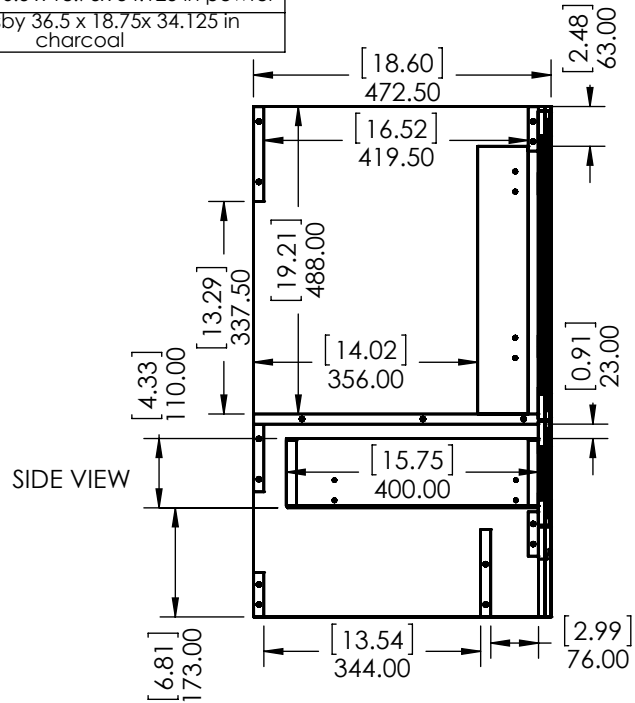
Wood Crafters

SIZE DWG. NO. **A** Vtop Rect 36.5x18.75 4in

SHEET 1 OF 1
REV: **0**

ITEM ID	DESCRIPTION
CD36P2-CG	Candlesby 36.5 x 18.75x 34.125 in cognac
CD36P2-PW	Candlesby 36.5 x 18.75x 34.125 in pewter
CD36P2-CL	Candlesby 36.5 x 18.75x 34.125 in charcoal

REV	ECO#	DESCRIPTION	REV'D BY DATE	CHK'D BY DATE	APR'VD BY DATE
0		New Release	IASV 12/17/15	IASV 12/17/15	IASV 12/17/15



BACK VIEW

FRONT VIEW

ISOMETRIC VIEW

SIDE VIEW

PROPRIETARY AND CONFIDENTIAL
 THE INFORMATION CONTAINED IN THIS DRAWING IS THE SOLE PROPERTY OF WOODCRAFTERS HOME PRODUCTS L.L.C. ANY REPRODUCTION IN PART OR AS A WHOLE WITHOUT THE WRITTEN PERMISSION OF WOODCRAFTERS HOME PRODUCTS L.L.C. IS PROHIBITED.

UNLESS OTHERWISE SPECIFIED
 DIMENSIONS ARE IN mm and [inches]
 AND TOLERANCES ARE +/- 1.0 [0.04]

DRAWN BY:	IASV	12/17/15
CHECKED BY:	IASV	12/17/15
APPROVED BY:	IASV	12/17/15
DO NOT SCALE DRAWING	SCALE: 1:10	SIZE: A

Wood Crafters
 TITLE: **ENSAMBLE CANDLESBY 36"**
 PART NO: PAGE 1 OF 1 REV: 0