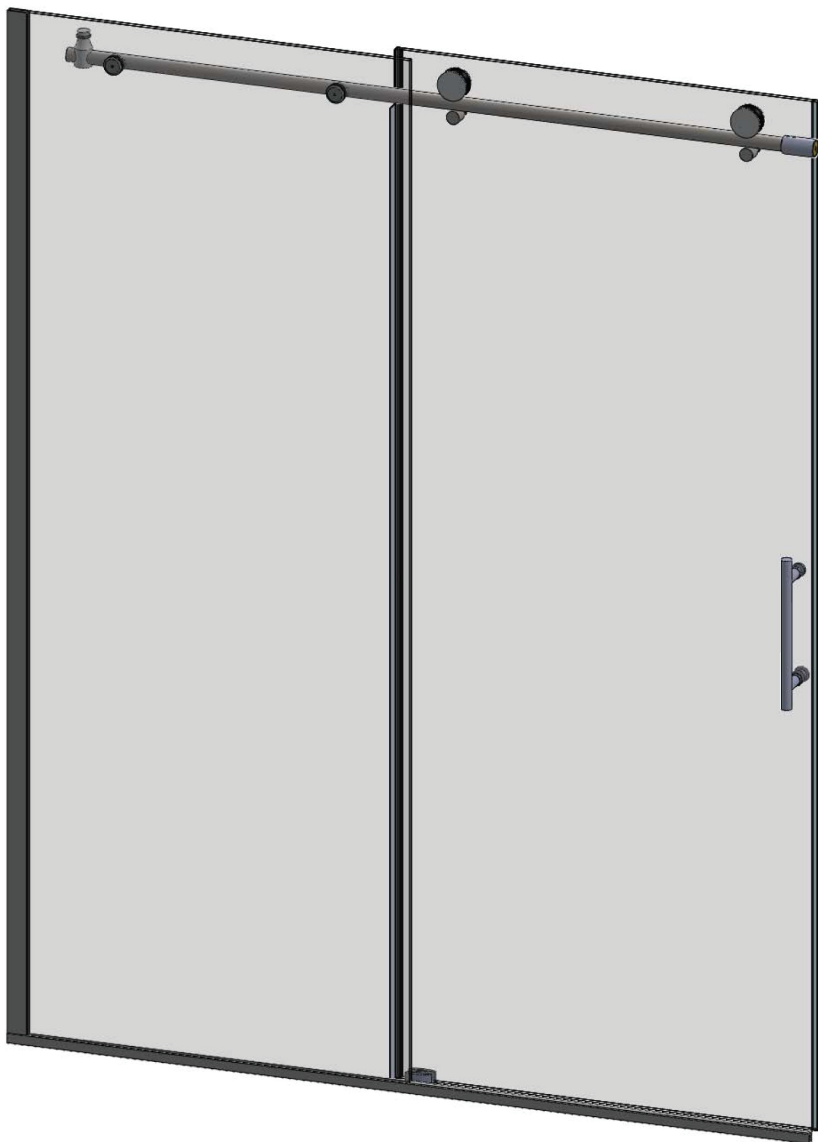




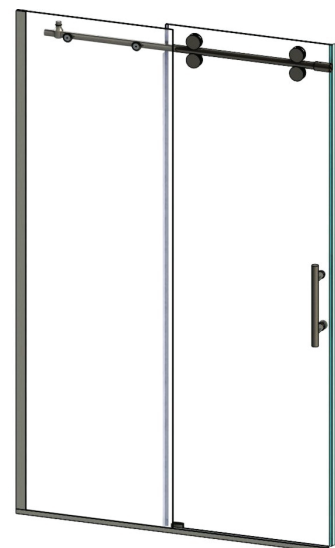
Frameless Fixed Panel Slider

QCI5279

FRAMELESS DOOR / PANEL



DOUBLE ROLLER
SUPPLEMENT INCLUDED



Parts List

ITEM NO.	NUMBER	DESCRIPTION	QTY.
1	Fixed Panel	GLASS PANEL	1
2	Door Panel	DOOR PANEL	1
3	SC925-0001-77	U-CHANNEL, VERTICAL, L - 77"	1
4	SC938-0001-48.5 SC938-0001-60.5	U-CHANNEL, HORIZONTAL, L - 48.5" or 60.5"	1
5	SC892-0001-30	FILLER, L - 30"	1
6	SCV353-0001-75.69	3/8" VINYL, SEAL, L - 75.69"	1
7	RO9AA-090PS	ROLLER	2*
8	HA9AS-420PS HA9AS-540PS	HEADER ASSEMBLY, L - 42.25" or 54.25"	1
9	BK9J-000PS	WALL MOUNT BRACKET	1
10	AJ9AQ-000PS	ANTI-JUMP	2**
11	GU9AD-000PS	GUIDE, DOOR	1
12	PL9AA-000PS	END PLUG, HEADER	1
13	ST9AA-000PS	DOOR STOPPER	1
14	PU9S-8SS	7 7/8" HANDLE	1
15	SCV921-0001-75.69	VINYL SEAL, L - 75.69"	1

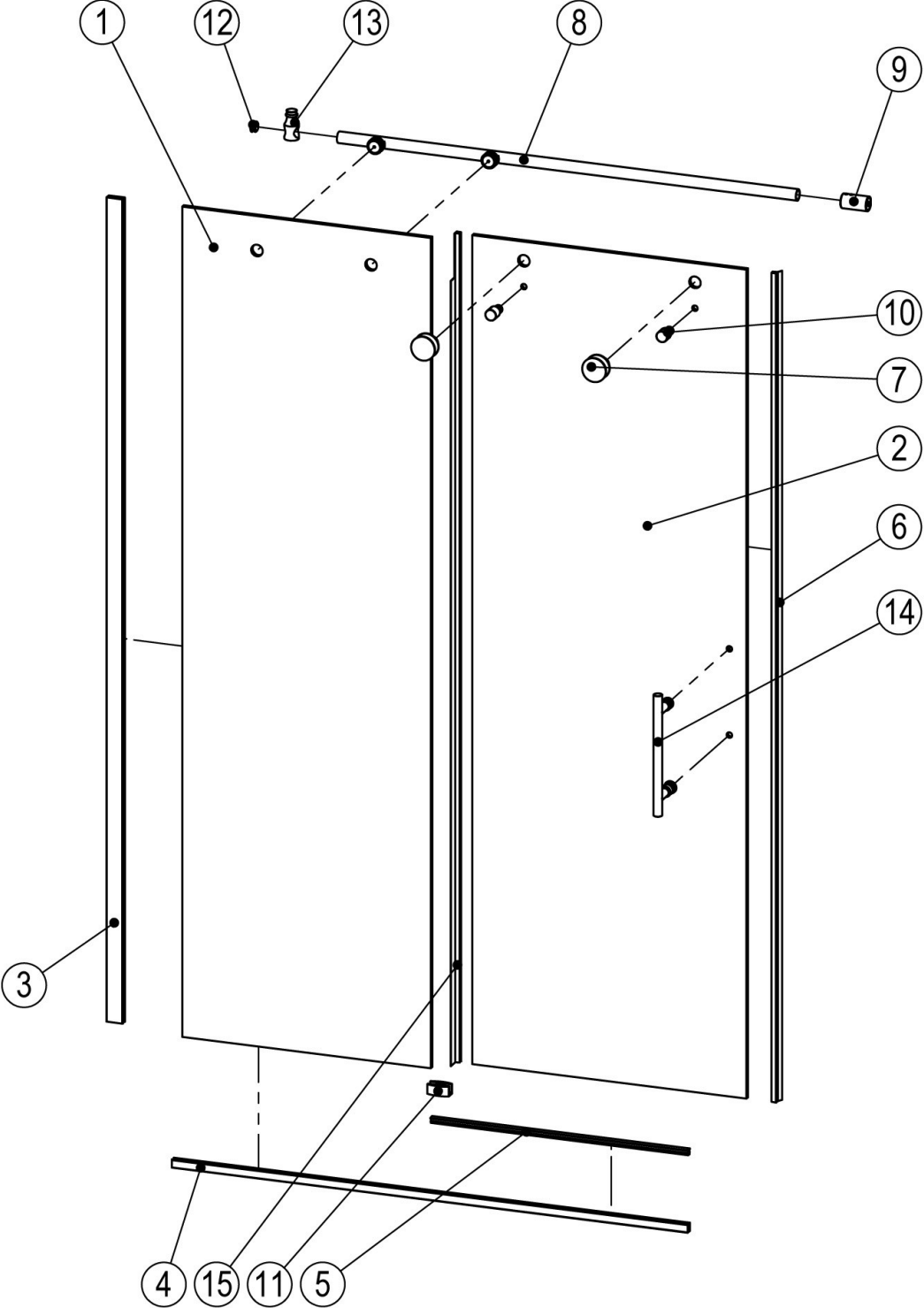
DOUBLE ROLLER UNITS ONLY:

* QTY is 4

** QTY is 0

ALL OTHER HARDWARE IS UNCHANGED

Exploded View



Tools:

To install your New Shower Enclosure, you may need the following:

- Pencil
- Low Tack Tape
- Tape Measure
- 4' & 6' Levels
- #2 Phillips Screwdriver
- Drill
- 1/8" & 3/16" Drill Bit
- Center Punch
- Files
- Hack Saw
- Caulk Gun
- Clear Silicone Caulk
- Suction Cups

Safety Notes:

- This unit is best installed by two people.
- Handle the glass panels carefully and protect the edges. Safety tempered glass is very resistant to breakage, but the sharp corners of the panels can damage tile and flooring surfaces.
- The glass can break if unequal pressure is applied during installation.
- Please wear safety glasses whenever drilling or cutting. When drilling holes in ceramic tile or marble, use a center punch and hammer to carefully break the glazed surface to prevent skidding when drilling.

NOTE: Tempered glass cannot be cut.

Installation Notes:

- Proper blocking is required for every Heavy Glass unit prior to installation. At minimum 2x4 blocking is required at the location of any structural member of the unit including, but not limited to: hinges, clamps, and header brackets. All fasteners at these locations are required to be installed into the blocking.
- A minimum of 1 1/4" thread engagement is required of all fasteners into the blocking at these locations. Depending on the application the customer maybe required to supply the proper fasteners to ensure adequate engagement.
- U-Channel maybe installed using wall plugs where no backing is found.
- Use caution to not pierce plumbing or electric lines while installing door hardware.
- Cover the drain with tape prior to installation to prevent loss of small parts.
- Unpack your unit carefully and inspect for freight damage. Lay out and identify all parts using the instruction sheet as a reference. Before discarding the carton, check to see that no small hardware parts have fallen to the bottom of the box. If any parts are damaged or missing, refer to the description noted in the instructions when contacting your dealer for replacements.

Maintenance:

Two primary materials are used to manufacture your new shower enclosure: tempered glass and anodized aluminum. To assure a long lasting finish on the enclosure, wipe it down with a towel after each use.

For occasional, more concentrated cleaning efforts, we find that **Lysol® Non-Abrasive Bathroom Cleaner** works extremely well. Be sure that any over spray falling on the aluminum frame is rinsed thoroughly and dried. Many over-the-counter cleaners, if applied to the aluminum and left on, will harm the metal finish and cause permanent damage even though their directions indicate safe use on shower doors. Never use a scouring agent to clean the aluminum.

Maintenance:

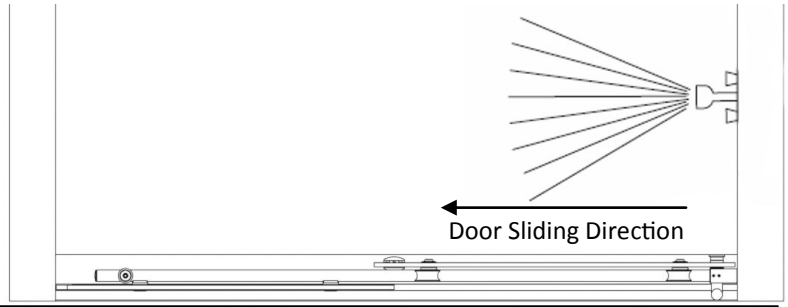
Two primary materials are used to manufacture your new shower enclosure: tempered glass and anodized aluminum. To assure a long lasting finish on the enclosure, wipe it down with a towel after each use.

For occasional, more concentrated cleaning efforts, we find that **Lysol® Non-Abrasive Bathroom Cleaner** works extremely well. Be sure that any over spray falling on the aluminum frame is rinsed thoroughly and dried. Many over-the-counter cleaners, if applied to the aluminum and left on, will harm the metal finish and cause permanent damage even though their directions indicate safe use on shower doors. Never use a scouring agent to clean the aluminum.

For units with **AquaglideXP** we recommend the use of Maintain spray on the glass. Please contact customer service for details.

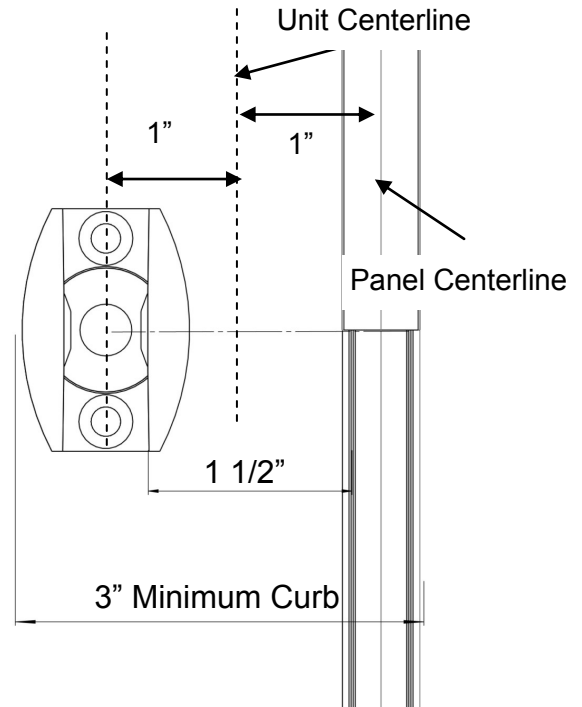
This unit maybe installed with the door to the right or left.

In order to minimize chances of water leakage, please install the door closest to the shower head. Installation with the door opposite of the shower head when closed leaves a gap for water to potentially leak past.



1 Determine location of the unit centerline on the threshold. From unit centerline mark location of panel centerline 1" towards outside of shower. Next, mark a continuous panel centerline on the wall the panel will mount to, starting where the threshold centerline meets the wall. Use a level to ensure the wall centerline is plumb and straight. The wall centerline should be a minimum of the unit height from the threshold.

NOTE: The unit centerline for this unit does NOT get anything mounted to it. The Panel and Guide centerlines are 1" from the unit centerline.

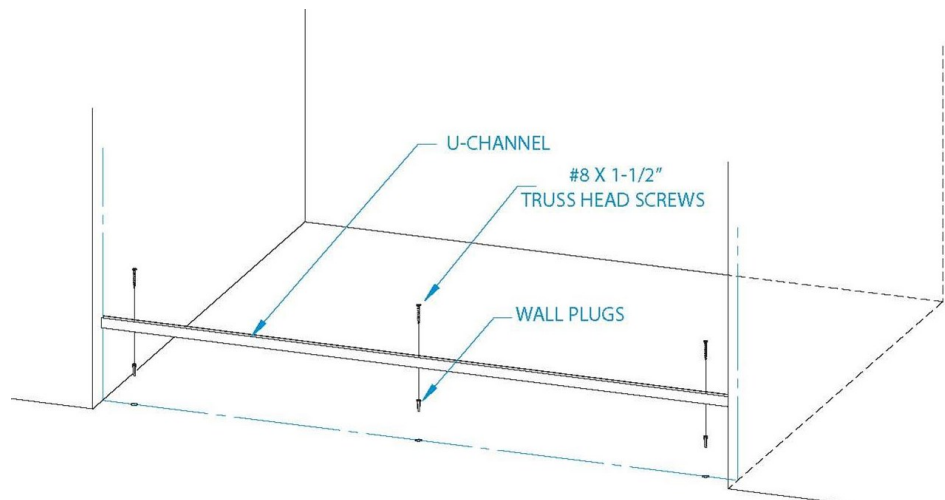


This unit requires a minimum 3" of flat curb to be installed correctly.

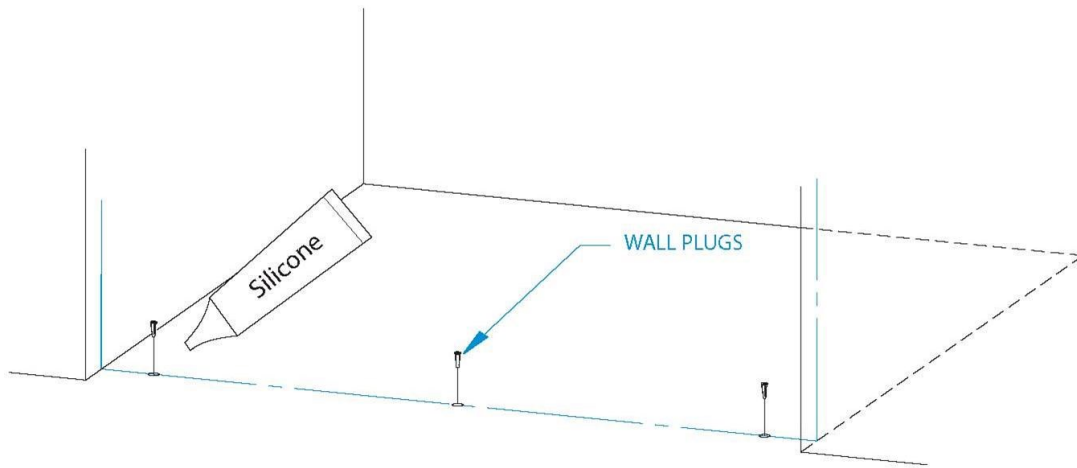
2 Cut the threshold U-channel to the appropriate size. This piece of U-channel will be equal to the opening width. Next drill three 3/16" diameter holes in the center of U-channel (centerline groove provided for convenience), two holes approximately 4-1/2" from each end and one in the middle. Place the U-channel in its correct position with the u-channel centerline over the threshold centerline as marked in step one.

With a pencil carefully mark each hole position on the threshold centerline. Remove the u-channel and drill a 3/16" diameter hole, approximately 1" deep, directly on the threshold centerline at the marked locations.

Note: It is critical that the threshold U-Channel is centered on the PANEL centerline.



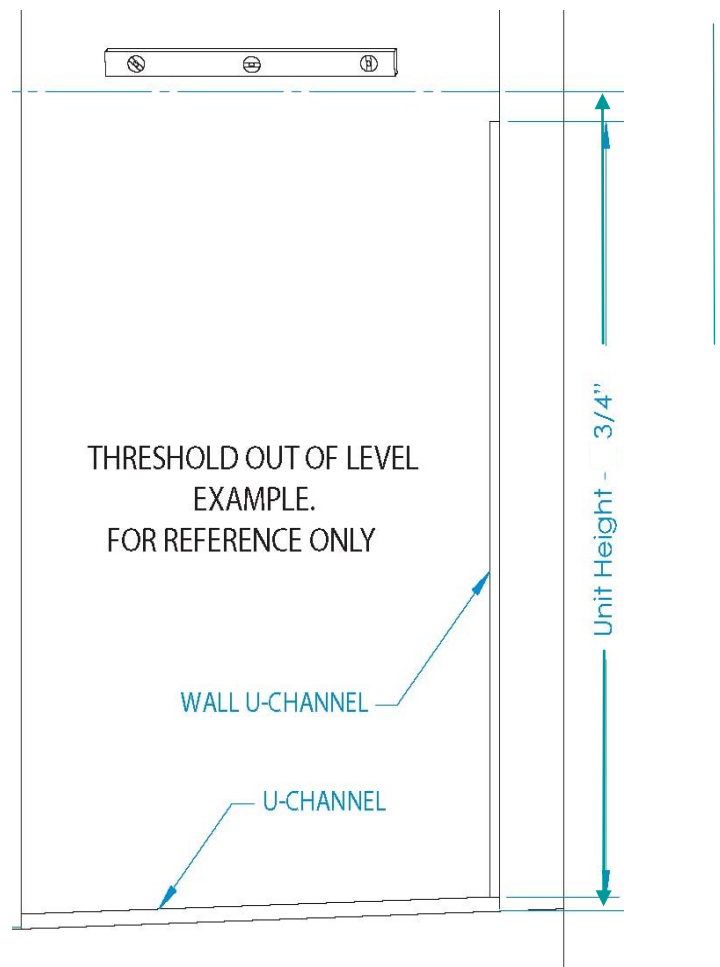
3 Insert a small amount of silicone into each drilled hole, then insert a wall anchor into each hole. (Note: Drill hole, then insert a wall anchor.) This must be done just before u-channel installation. Carefully cut the heads off the wall anchors with a razor blade. Place the U-Channel in correct position and secure it with #8 x 1-1/2" truss head screws.



4 Cut the wall U-Channel to length properly using the below formula:

$$U\text{-channel Height} = \text{Unit Height} - 3/4''$$

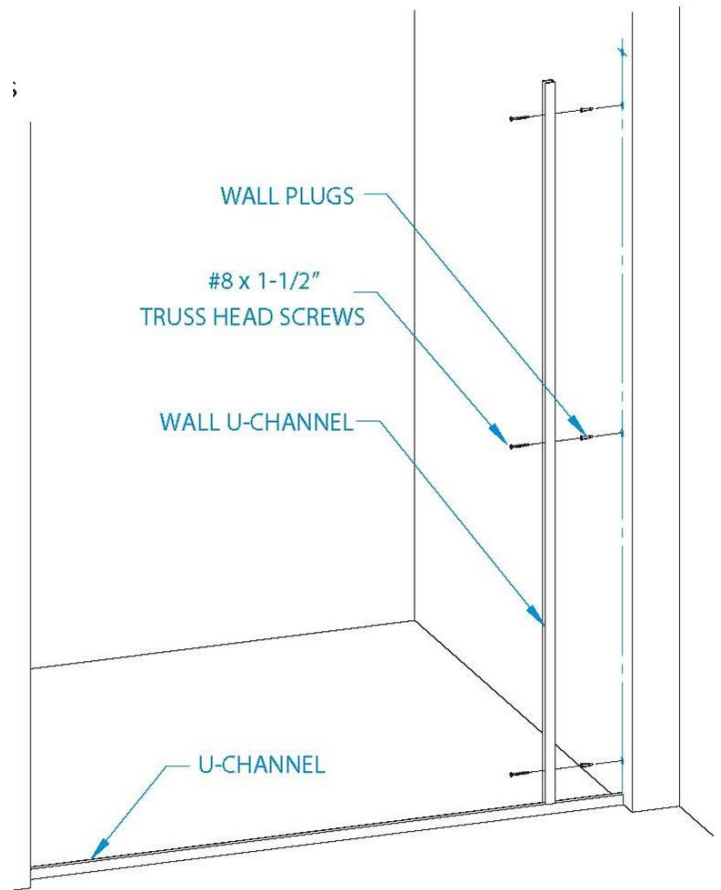
Next, drill three 3/16" diameter holes in the center of U-channel (centerline groove provided for convenience); one hole 6" from each end and one hole in the middle. Place the U-channel over the wall centerline marked in step one. With a pencil, carefully mark each hole position on the wall centerline. Drill a 3/16" diameter hole, approximately 1" deep, directly on the wall centerline at the marked locations.



5 Insert a wall plug [16] into each drilled hole. Then carefully cut the heads off of the wall plugs [16] with a razor blade. So there is nothing raised above the surface of the wall.

Place the u-channel [3] in position and secure it with #8 x 1-1/2" truss head screws [18].

Note: Do not over-tighten the screws.



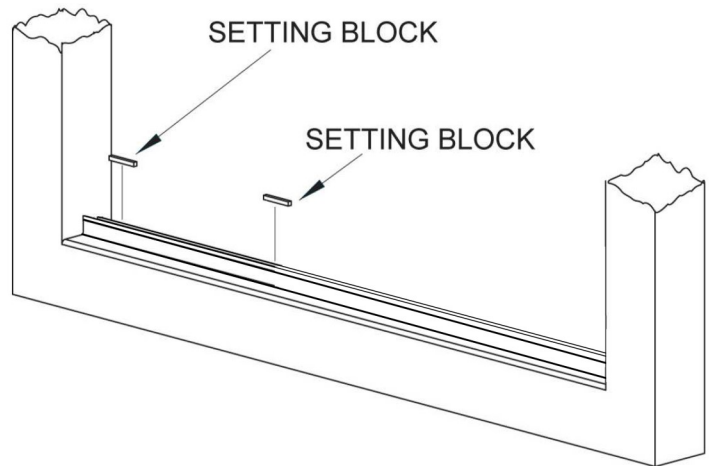
6 Place 1/8" setting blocks [20] into the U-channel as shown or approximately every 18".

DO NOT place setting blocks over screw heads, but set them close to ensure that the screw heads are below the setting blocks.

Using suction cups set, the Stationary Glass Panel into the U-channels on the appropriate side. Use different sizes of setting blocks to make exposed edges of the glass level and plumb.**

Exposed edges **MUST** be level and plumb before moving to next step.

**Different sizes setting blocks may be required depending on level conditions. Various sizes of setting blocks are provided and can be used in different combinations (stacked) to obtain the desired result.

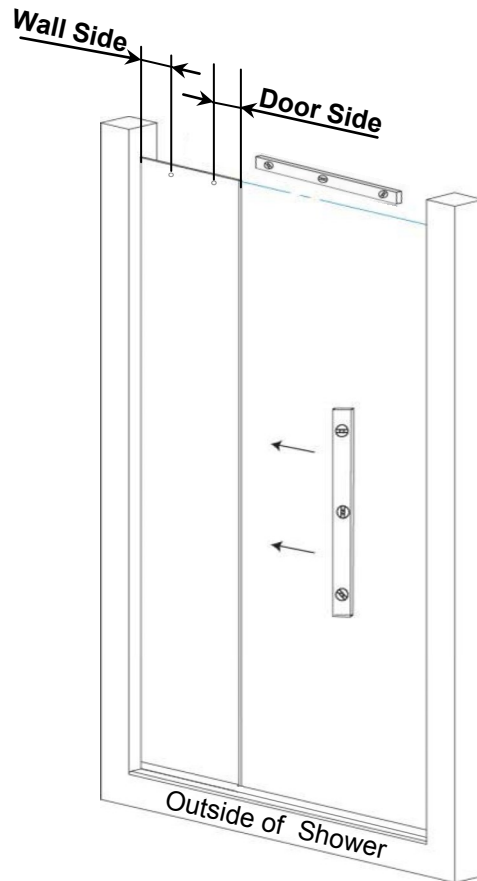


7 Using suction cups, set the Glass Panel into the U-channels on the appropriate side. Use different sizes of setting blocks to make exposed edges of the glass level and plumb.**

Refer to the sizing chart below to properly orient the Glass Panel according to the unit range. Measurement is from edge of glass to the header bar assembly hole*

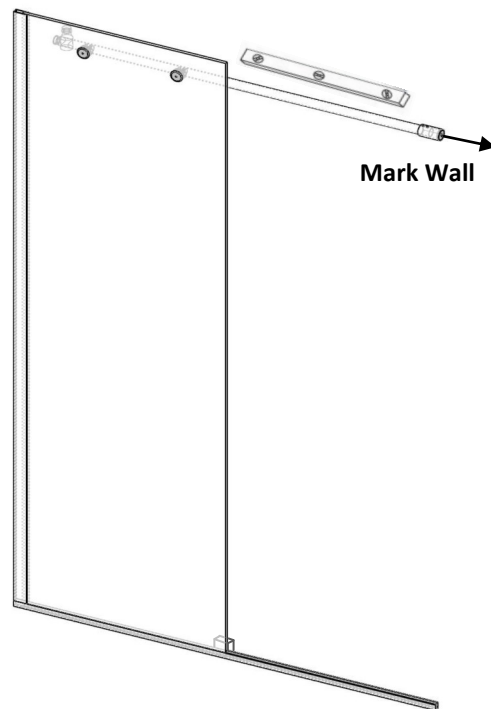
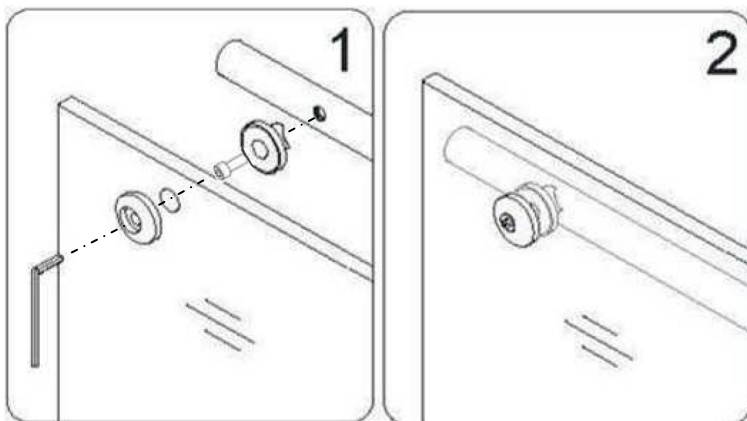
Exposed edges **MUST** be level and plumb before moving to next step.

*Panel Glass Sizing Chart		
Unit Range	Wall Side	Door Side
44 1/2" - 45 3/4"	5 1/2"	6 7/8"
45 3/4" - 47 1/2"	6 7/8"	5 1/2"
56 1/2" - 57 5/8"	5 1/2"	6 7/8"
57 5/8" - 59 1/2"	6 7/8"	5 1/2"



**Different sizes setting blocks may be required depending on level conditions. Various sizes of setting blocks are provided and can be used in different combinations (stacked) to obtain the desired result.

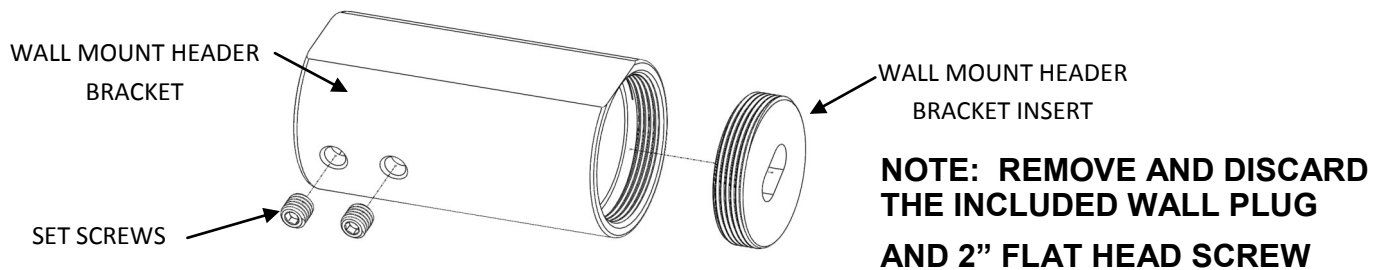
8 Once the Stationary Glass Panel [1] has been installed, unscrew the caps to attach the roller bar header assembly [8] to the top of the panel glass (see example). Once in place, slightly loosen the screw inside to allow for adjust of the header bar. Once adjusted to proper length and leveled, tighten the screws.



With the header assembly [8] mounted, use a pencil to mark the location where it sits flush against the door side wall as shown.

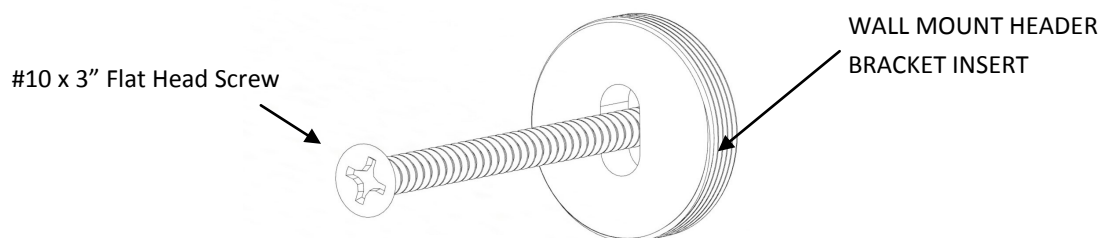
9 After marking, remove header assembly [8]. Drill a 3/16" diameter hole thru the finished wall material at the marked wall location. Drill a 1/8" diameter pilot hole approximately 2" deep into the blocking behind the finish wall material.

DO NOT DRILL 3/16" HOLE INTO BLOCKING



Next, screw the Header Bracket Insert onto the wall with the supplied #10 x 3" Flat Head screw. Install the Header Bracket Insert with the adjustment slot in the vertical direction. This will allow for a small amount of adjustment to make sure the header is level.

Do not completely tighten the NEW Flat Head Screw at this point.

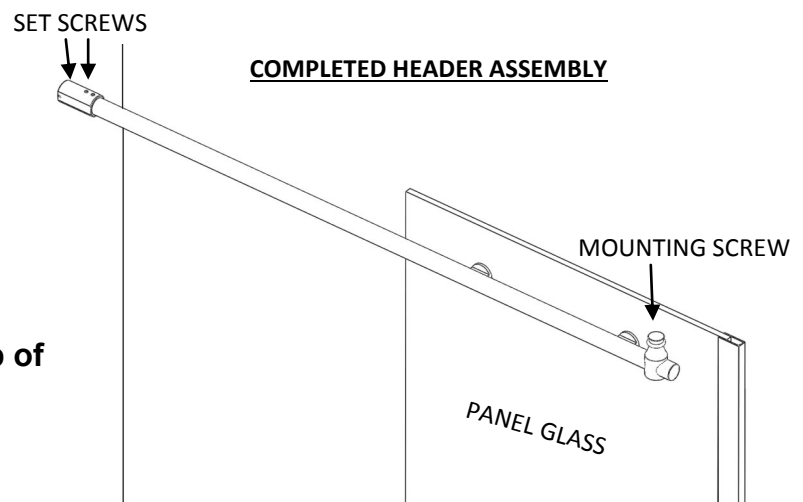


10 Reassemble the header assembly to the fixed panel glass and the wall mount header bracket. Check the header for level. Lightly tap the wall mount bracket to achieve level. Carefully remove the header assembly and completely tighten the Flat Head Screw from Step 9. Final install the header assembly to the panel glass and wall mount bracket. Tighten the set screws in the wall mount bracket.

After the header assembly is secure, install the door stopper [13] onto the header assembly [8] by screwing in top mounting screw. (See Example)

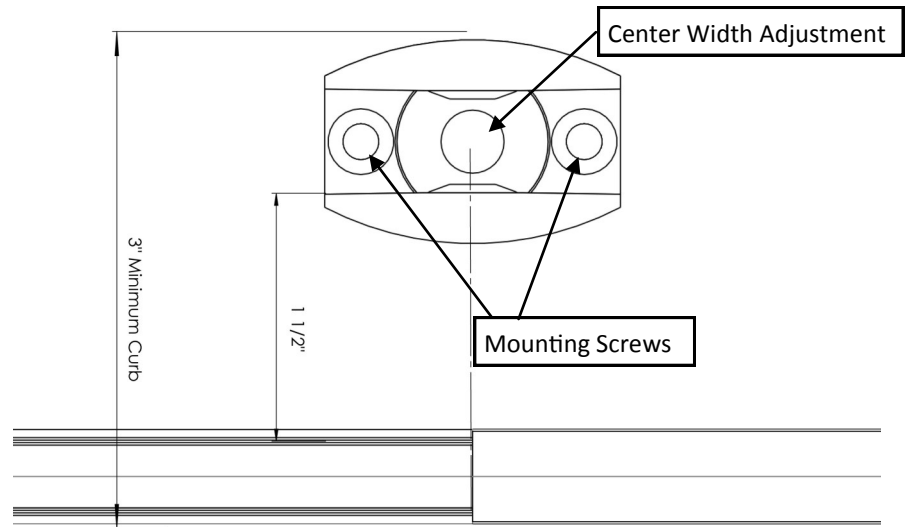
NOTE: Set screws should be on the top of the header bracket.

Do not over-tighten screws.



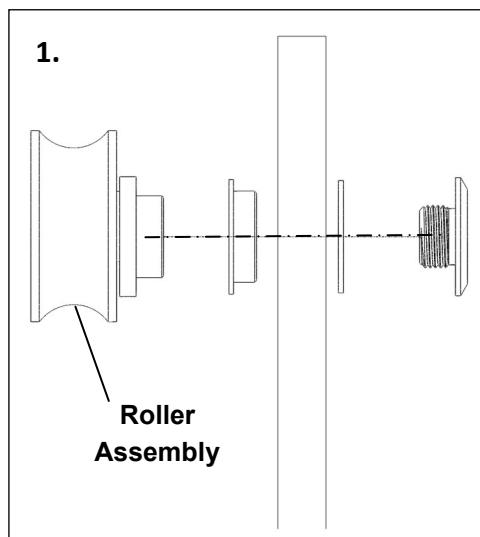
11 The Door guide [11] can now be installed along the threshold. From the edge of the panel glass that was just installed, measure 1 1/2" from the inside of the Horizontal U-channel [4]. Place door guide as shown in picture below, then mark the two holes to drill with a pencil. Insert a small amount of silicon into each drilled hole, then insert a wall anchor into each hole. (Note: Drill hole, then insert a wall anchor.) Carefully cut the heads off the wall anchors with a razor blade. Place the door guide back in correct position and secure it with #8 x 1-1/2" truss head screws.

NOTE: The center piece of the door guide adjusts the width of glass it can accept. Turn the center to match your door glass thickness.

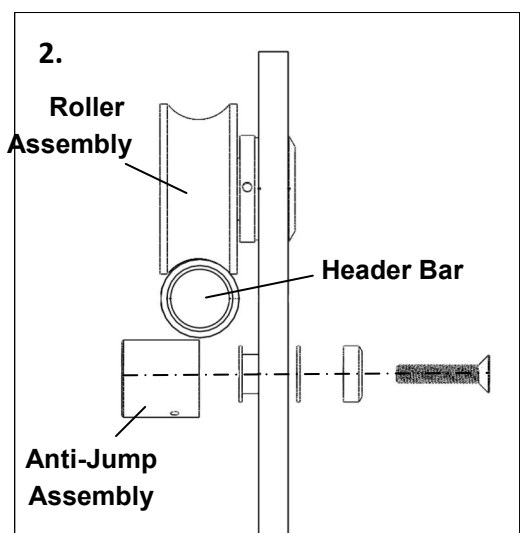


12 Disassemble the two Rollers [7] and secure to door panel glass. (See example 1).

With rollers mounted onto the door panel, make sure the rollers are rotated to their lowest position so that the door panel does not hit the ground or u-channel during installation. Then carefully lift the door panel into place so the rollers rest on top of the roller bar assembly. Holding the door in place, install the anti-jump assembly below the roller bar assembly in the two holes provided to hold it in place. (See example 2).

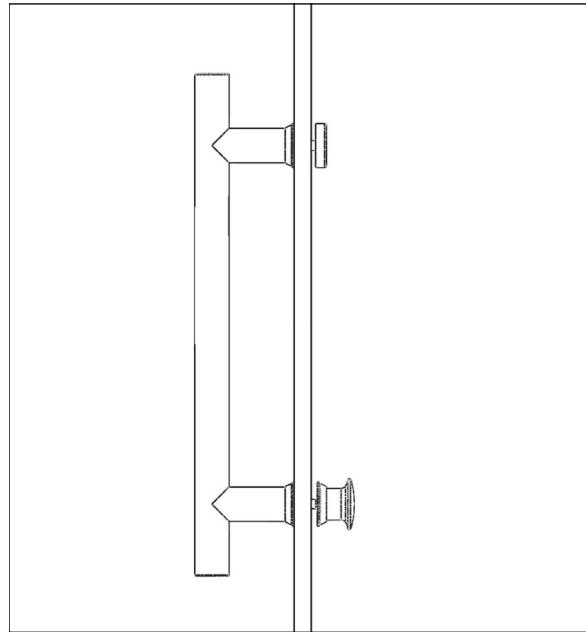


NOTE:
Anti-jump is cammed and should be installed with a 1/16" or less gap between itself and the header bar.



NOTE: If a Double Roller unit was purchased, please see appendix A to mount bottom rollers

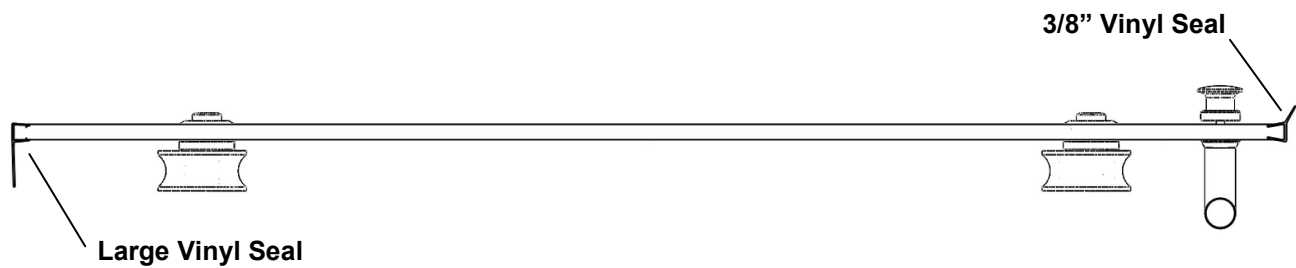
13 Disassemble the Pull Handle [14] and install on the Door Panel [2] . Handle should face outside of shower and the knob on the back side of the Pull Handle [14] should be on the bottom side as shown.



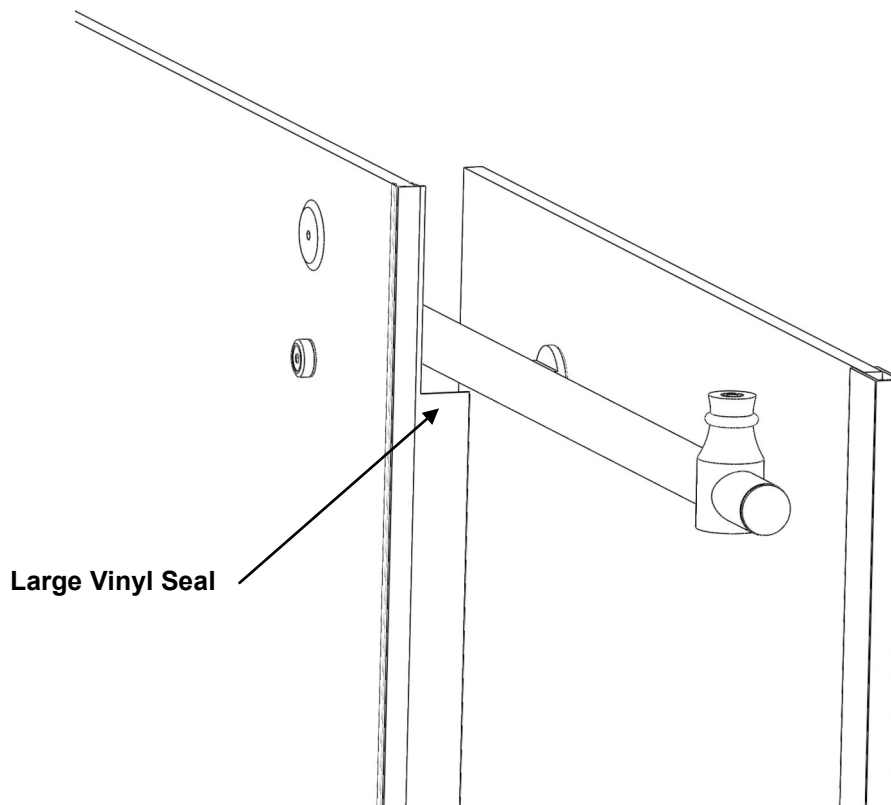
14 Cut Filler [5] to appropriate length to cover the remaining gap between the Panel Glass [1] and the wall. Snap Filler [5] in open top of the Horizontal U-channel [4].



15 Place large Vinyl Seal [15] on Door Panel [2] so that the vinyl edge sticks out towards the Fixed Glass Panel [1]. Then place smaller 3/8" Vinyl Seal [6] on the handle side of the Door Panel [2] so that the vinyl edge sticks out towards the inside of the shower. (See Example) Use silicone to hold in place.

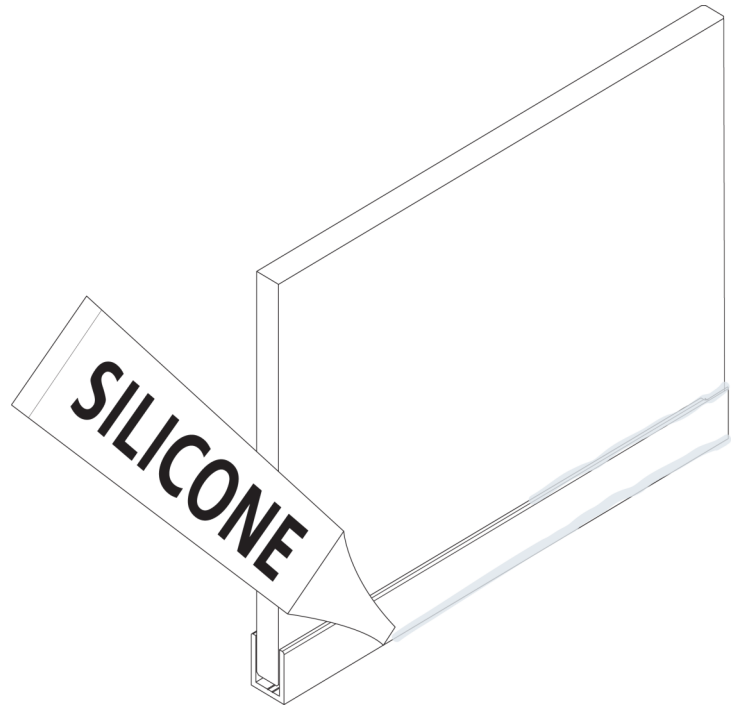


16 The larger vinyl seal will need to be cut slightly in order for the header bar to have space to roll freely. See example below.



17 On the interior face of the glass, place a strip of low tack tape on the glass about 1/8" to 3/16" away from edge of the u-channel both vertically and horizontally. Run a small bead of silicone along this edge. Next, on the interior, run a bead of silicone between the u-channel and the threshold and also between the u-channel and the wall. After completing, remove the tape before silicone sets.

Repeat silicone application process to outside of door. Apply between fixed glass panel and u-channel, u-channel and wall, u-channel and threshold.



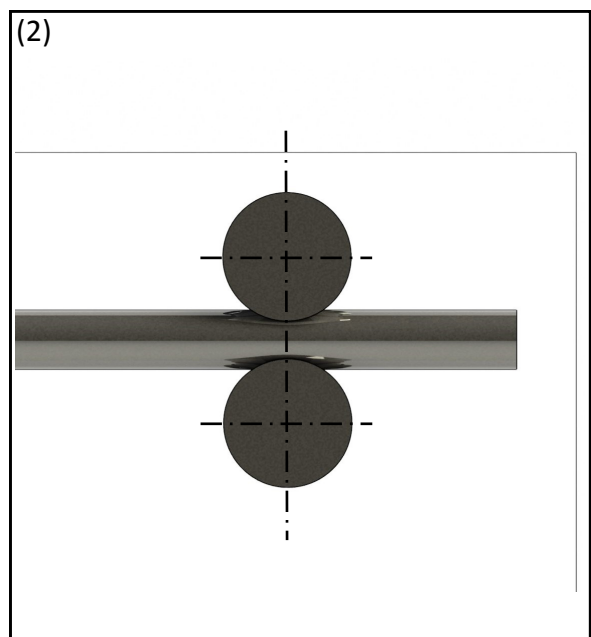
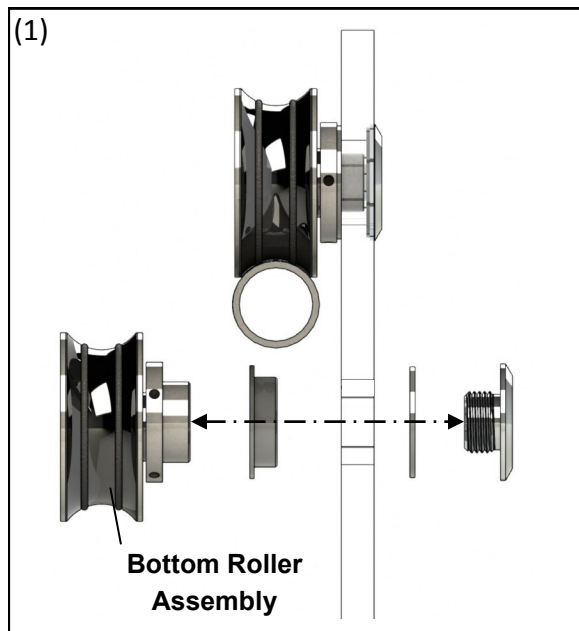
NOTE: DO NOT USE the shower until the silicone is completely cured. Check the tube of silicone for the manufacturer recommended cure time (typically 24 - 48 hours).

Appendix A - Bottom roller installation

Install the top rollers as instructed in step 12.

Install the bottom rollers using the same installation method.

After using top rollers to adjust the door for level/plumb, align the bottom rollers as shown in example 1. Adjust the bottom rollers so that they are centered vertically with the top rollers. (see example 2). Bottom rollers may not make full contact with the header bar). Tighten all fasteners to secure position of rollers.



Return to step 13 after rollers have been installed and adjusted