

POWERSMART[®]

INSTRUCTION MANUAL

6 Ton Electric Log Splitter

Model # PS90



Have product questions or need technical support? Please feel free to contact us!

Website: www.Amerisuninc.com

Toll free: 1-800-791-9458 M-F 9-5 EST

Email: support@amerisuninc.com

CONTENTS

Technical data.....	3
General safety rules.....	4
Specific safety rules for log splitter.....	5
Electrical information.....	6
Knowing your log splitter.....	8
Assembly and adjustments.....	9
Operation.....	11
Maintenance.....	14
Troubleshooting.....	16
Exploded view & parts list.....	17
Warranty.....	20

TECHNICAL DATA

6 Ton Electric Log Splitter	Model # PS90
Motor:	120V, 60 Hz, 15A
Splitting force:	6 Tons
Cycle time:	22 Seconds
Motor speed:	3450 RPM
Log capacity:	10-inch Diameter 21-inch Length
Hydraulic pressure:	2740 PSI
Hydraulic fluid:	AW32 hydraulic fluid for operation over 40°F or automatic transmission fluid for operation below 40°F
Hydraulic tank capacity:	2.9 Quarts
Cylinder stroke:	15.4 inches
Package dimensions (LxWxH):	43 1/8 x 13 x 20 1/4 inches
Weight:	104 lb.

Thank you for purchasing PowerSmart products. Please register online at **www.Amerisuninc.com**.

The information will allow us to track your warranty and update on your unit.

Important: Our company does not provide email or personal information to any third party for any reason. For any questions check our website or call customer service at (800)791 9458.

Warning! We strongly recommend that this item not be modified and/or used for any application other than that for which it was designed. If you have any questions relative to its application, do not use the equipment until you have consulted us and we have advised you.

Contact PowerSmart at (800)791-9458 M-F 9am-5pm EST

GENERAL SAFETY RULES

Safety is a combination of common sense, staying alert, and knowing how your log splitter works. **SAVE THESE SAFETY INSTRUCTIONS.**



WARNING: To avoid mistakes that could cause serious injury, do not plug in log splitter until the following steps have been read and understood.



WARNING: This appliance is not intended for use by children or by unassisted, unsupervised persons whose physical, sensory or mental capabilities prevent them from using it safely. Children should be supervised to ensure that they do not play with the appliance.

Before starting up your machine, please check it carefully for any defects. If you find any, do not start up your machine. Please call Power Smart customer service at 1-800-791-9458 M-F 9-5 EST.



WARNING: When using the log splitter, basic safety precautions should always be followed to reduce the risk of fire, electric shock, and personal injury. These include:

- **Know your product** – Know how to stop the machine. Thoroughly familiarize yourself with the controls.
- **Keep bystanders away** – All visitors and pets should be kept a safe distance away from the work area.
- **Use the right product** – Do not use this machine for any job except that for which it is intended.
- **Dress properly** – Do not wear loose clothing or jewelry. They can get caught in moving parts. Protective rubber gloves and non-slip footwear are recommended when working outdoors.

CAUTION! – Exercise caution to avoid slipping or falling. Wear protective footwear that will protect your feet and improve your footing on slippery surfaces.

- **Stay alert** – Watch what you are doing. Use common sense. Do not operate the log splitter when you are tired, or under the influence of alcohol or drugs.
- **Do not overreach** – Keep proper footing and balance at all times.
- **Avoid unintentional starting** – Do not carry a plugged in machine with your finger on the trigger. Make sure the switch is off before plugging in the machine.
- **Do not abuse the cord** – Never carry the machine by the cord or yank the cord to disconnect it from the receptacle. Keep the cord away from heat, oil, and sharp edges.
- **Use safety glasses** – Also use safety footwear, snug-fitting clothing, protective gloves, hearing and head protection.

SPECIFIC SAFETY RULES FOR LOG SPLITTER



WARNING: Do not operate your log splitter until it is completely assembled and installed according to the instructions.

1. IF YOU ARE NOT thoroughly familiar with the operation of the log splitter, obtain instruction from a qualified person.
2. MAKE SURE wiring codes and recommended electrical connections are followed. When servicing, use only identical replacement parts. Disconnect log splitter from the power source before making adjustments or repairs.
3. Place the log splitter on a stable, flat, and level work surface where there is plenty of room for handling logs.
4. INSPECT THE LOG SPLITTER before each use. Keep guards in place and in working order. Replace damaged, missing, or failed parts before using.
5. Do not alter the log splitter. Altering the tool or exceeding its design capabilities and capacities could result in serious injury or fatality and will void the warranty.
6. MAKE SURE THE EXTENSION CORD is no longer than 25 ft., 14 gauge. Ensure the power cord is rated for outdoor use. Ground the log splitter and avoid contact with grounded surfaces during operation. See “Electrical Information” for further details.
7. MAKE all adjustments with the switch in the OFF position and the log splitter disconnected from the power source.
8. Never use the log splitter for any other purpose than splitting wood. Any other use can result in injury. Use extreme caution at all times.
9. PREPARE LOGS FOR SPLITTING. Make sure the ends of the logs are cut square. Cut off any branches flush with the trunk.
10. INSPECT EACH LOG before splitting. Make sure there are no nails or foreign objects in the log.
11. Only a single operator should load and operate the log splitter. Keep all others, including children and pets, a minimum of 20 in. (6.1 m) away from the work area.
12. NEVER TRY TO SPLIT LOGS larger than the rated capacity of the tool. Attempting to do so could result in personal injury and damage to the tool.
13. Split only one log at a time. Do not attempt to split two logs on top of each other.
14. DO NOT put your hands or feet between the log and the splitting wedge or between the log and the push rod while the tool is in operation.

Warning: KEEP HANDS AWAY FROM SPLITS AND CRACKS WHICH OPEN IN THE LOG. THEY MAY CLOSE SUDDENLY AND CRUSH OR AMPUTATE YOUR HANDS.

15. Do not attempt to load a log while the push rod is in motion. When loading, place your hands on the sides of the log, not on the ends.
16. WAIT FOR THE PUSH ROD TO STOP MOVING before loading another log onto the log splitter. Do not try to remove a split log until the entire splitting cycle is completed.
17. Use only your hands to operate the control lever. Never use your foot, knee, rope, or extension device.
18. Never use your hands to remove a jammed log. If a jam should occur, release the ON/OFF push button. Follow the instructions in this manual for removing a jammed log.
19. Stack logs as you work. This will provide a safer, less cluttered work area.

ELECTRICAL INFORMATION

Grounding instructions

IN THE EVENT OF A MALFUNCTION OR BREAKDOWN, grounding provides the path of least resistance for electric current and reduces the risk of electric shock. This tool is equipped with an electric cord that has an equipment grounding conductor and a grounding plug. The plug **MUST** be plugged into a matching outlet that is properly installed and grounded in accordance with ALL local codes and ordinances.

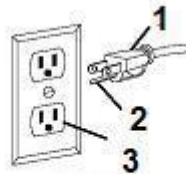
DO NOT MODIFY THE PLUG PROVIDED. If it will not fit the outlet, have the proper outlet installed by a licensed electrician.

IMPROPER CONNECTION of the equipment grounding conductor can result in electric shock. The conductor with the green insulation (with or without yellow stripes) is the equipment grounding conductor. If repair or replacement of the electric cord or plug is necessary, **DO NOT** connect the equipment grounding conductor to a live terminal.

CHECK with a licensed electrician or service personnel if you do not completely understand the grounding instructions, or if you are not sure if the tool is properly grounded.

USE ONLY THREE-WIRE EXTENSION CORDS that have 3-pronged plugs and outlets that accept the tool's plug as shown in Fig. A. Repair or replace a damaged or worn cord immediately.

Fig.A



- 1 3-pronged plug
- 2 grounding prong
- 3 properly grounded outlet

CAUTION: In all cases, make certain the outlet in question is properly grounded. If you are not sure if it is, have a licensed electrician check the outlet.



WARNING: Do not expose to rain or use in damp locations.

Guidelines for using extension cords

Make sure your extension cord is in good condition. When using an extension cord, be sure to use one heavy enough to carry the current your product will draw. An undersized cord will cause a drop in line voltage resulting in loss of power and overheating. The table below shows the correct size to be used according to cord length and nameplate ampere rating. If in doubt, use the next heavier gauge. The smaller the gauge number, the heavier the cord.

Minimum Gauge for Extension Cords (AWG)
(When using 120 V only)

Ampere Rating		Total Length of Cord in feet			
More Than	Not More Than	25	50	100	150
0	6	18	16	16	14
6	10	18	16	14	12
10	12	16	16	14	12
12	16	14	12	Not Recommended	

Make sure your extension cord is properly wired and in good condition. Always replace a damaged extension cord or have it repaired by a qualified person before using it.

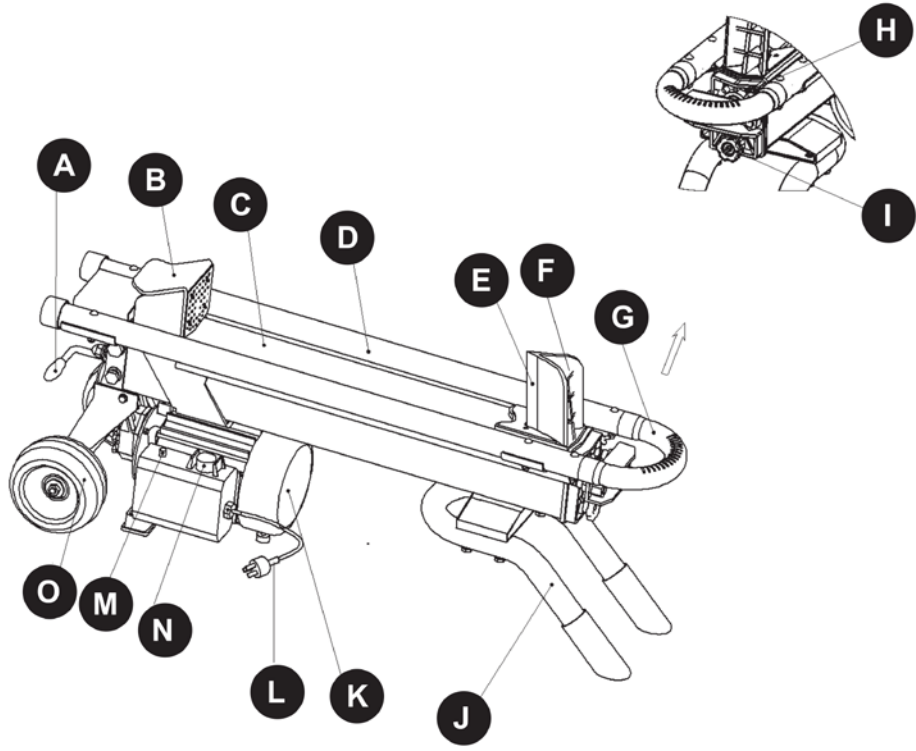
Protect your extension cords from sharp objects, excessive heat and damp or wet areas.

Use a separate electrical circuit for your tools. This circuit must not be less than a #12 wire and should be protected with a 15 A time-delayed fuse. Before connecting the motor to the power line, make sure the switch is in the OFF position and the electric current is rated the same as the current stamped on the motor nameplate. Running at a lower voltage will damage the motor.



WARNING: This tool must be grounded while in use to protect the operator from electric shock.

KNOWING YOUR LOG SPLITTER

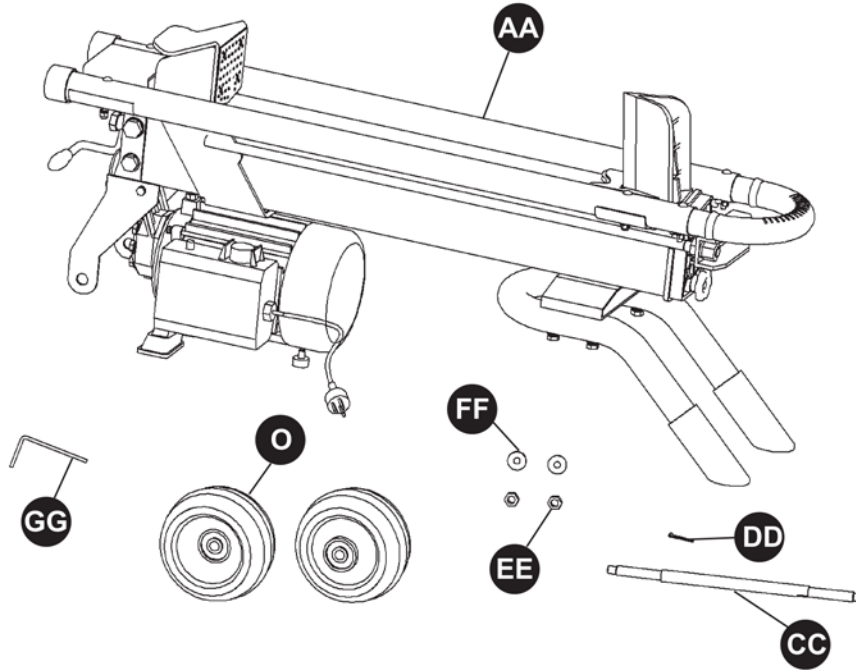


- | | | | |
|---|-------------------------|---|---|
| A | Hydraulic control lever | I | Fluid fill & drain location with dipstick |
| B | Push rod | J | Front leg |
| C | Worktable | K | Motor |
| D | Worktable guard | L | Power cord |
| E | Splitting wedge | M | Circuit breaker |
| F | Rear of wedge | N | ON/OFF push switch |
| G | Handle | O | Wheel |
| H | Bleed screw | | |

ASSEMBLY AND ADJUSTMENTS

Unpacking

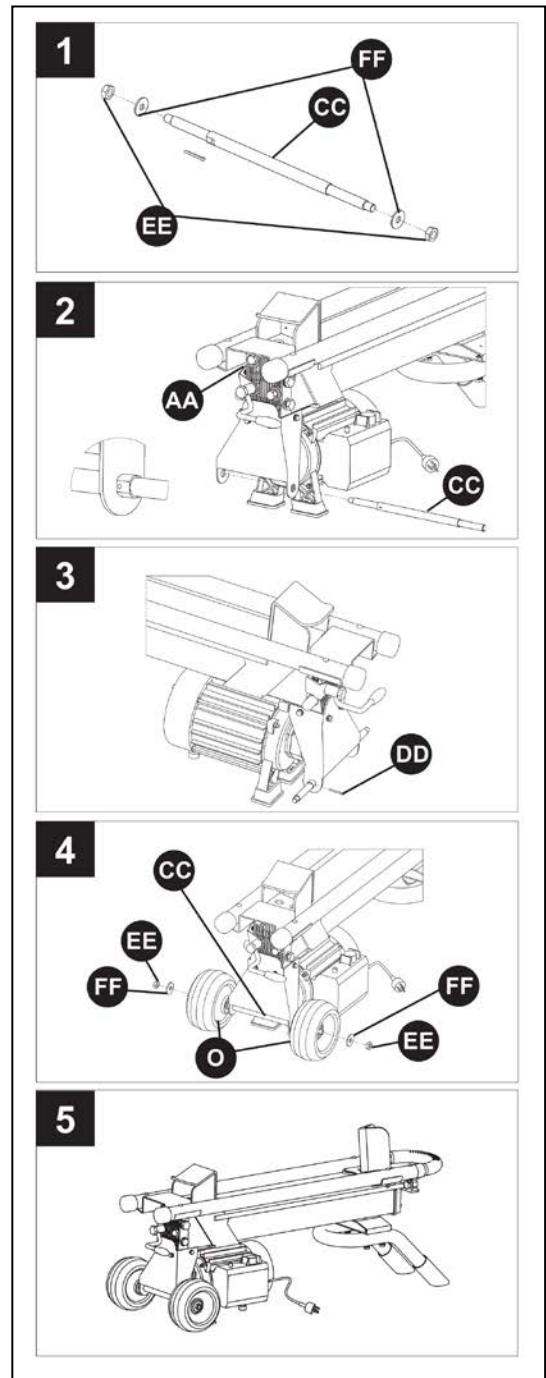
Unpack the log splitter and all its parts, and compare against the list below. Do not discard the carton or any packaging until the log splitter is completely assembled.



Part	Description	Quantity	Part	Description	Quantity
AA	Log Splitter	1	FF	Flat Washer	2
CC	Wheel Shaft	1	O	Wheel	2
DD	Cotter Pin	1	GG	Allen Key	1
EE	Lock Nut	2			

Wheel assembly

1. Unscrew the lock nuts (EE) and flat washers (FF) from the wheel shaft (CC).
2. Insert the wheel shaft (CC) into the frame of the log splitter (AA) (Figure 2) and secure with the cotter pin (DD) (Figure 3).
3. Secure the wheels (O) to the wheel shaft (CC) using the lock nuts (EE) and flat washers (FF) (Figure 4).
4. Log splitter is fully assembled (Figure 5).



OPERATION

WARNING: Read and thoroughly understand all instructions and safety information before operating this log splitter. Failure to do so may cause serious injury or death. Do not allow anyone to operate this log splitter who has not read this manual. As with all power equipment, a log splitter can be dangerous if assembled or used improperly. Do not operate this log splitter if you have doubts or questions concerning safe operation. Call our customer service department at 1-800-791-9458 to address these concerns.

WARNING: Always wear safety glasses, safety gloves, safety shoes and suitable work clothing when operating this log splitter. Do not wear jewelry, neckties or other loose clothing which could get caught in moving parts.

WARNING: Keep hands and feet clear of the ram and wedge at all times.

WARNING: Do not start or operate this machine in the presence of flammable liquids or gases.

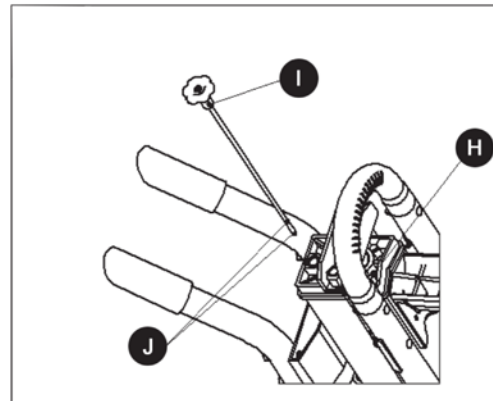
BEFORE OPERATING

Check the hydraulic fluid level

Before operating, select a suitable work area and check the level of hydraulic fluid.

A safe work area will contain a flat surface on which to place the log splitter, as well as ample room to stack both split and unsplit logs. Make sure there is a safe electrical connection no more than 25 feet from the workspace.

1. Make sure the bleed screw (H) is closed.
2. Lift up on the handle of the log splitter. Make sure the splitter is resting securely and will not fall.
3. Unscrew the dipstick (I).
4. Pull out dipstick.
5. Wipe the fluid off the dipstick.
6. Put the dipstick back in the fluid tank and then pull it out again.
7. Check the fluid level. It should be between the two notches (J) near the end of the dipstick.
8. Add fluid, if needed.
9. Replace the dipstick and tighten it



Remember to use AW32 fluid for operation at temperatures above 40 degrees Fahrenheit, and automatic transmission fluid for operation below 40 degrees Fahrenheit. The Log Splitter is pre-loaded with AW32 fluid during the manufacturing process.

Select a work area

Place the log splitter on a flat, stable surface. Make sure there is sufficient room for the unsplit logs and for the stacks of split logs. Make sure there is a safe electrical connection no more than 25 ft. from the work area.

Note: Transporting and lifting the log splitter is a two-person job. The wheels are designed for moving the log splitter very short distances.

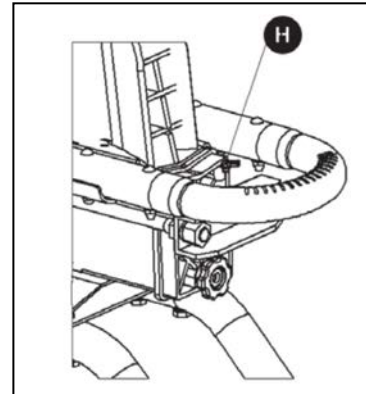
WARNING: ALWAYS LOOSEN THE BLEED SCREW PRIOR TO OPERATION. THIS WILL REMOVE ANY AIR TRAPPED IN THE HYDRAULIC SYSTEM. FAILURE TO RELEASE AIR FROM THE HYDRAULIC SYSTEM MAY DAMAGE THE SEALS AND PERMANENTLY DAMAGE THE LOG SPLITTER.

1. Loosen the bleed screw (H) Counter-clockwise one or two turns to allow air to be released from the hydraulic system.

Note: A flow of air through the bleed screw should be detectable while the log splitter is in use.

2. Close the bleed screw (H) after operation.

Note: Check the bleed screw and make sure it is closed before and during transporting the log splitter to and from the jobsite and storage area. Hydraulic fluid may leak through the bleed screw opening if the bleed screw is not fully tightened.



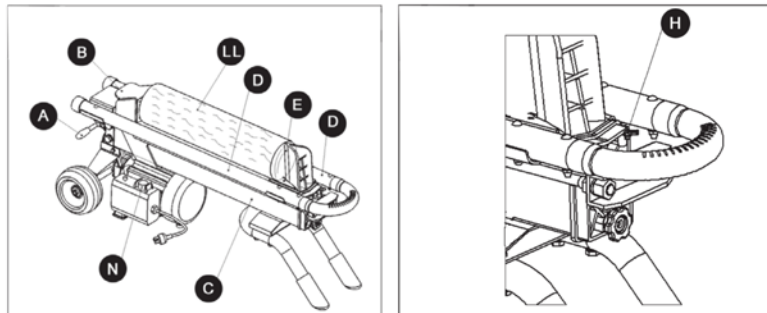
WARNING: NEVER TRY TO SPLIT LOGS LARGER THAN THE RATED CAPACITY OF THE LOG SPLITTER. ATTEMPTING TO DO SO COULD RESULT IN PERSONAL INJURY AND DAMAGE TO THE LOG SPLITTER.

Select/prepare a log for splitting

1. Make sure there are no nails or foreign objects in the log.
2. Make sure the end of each log to be split is square.
3. Remove any branches by cutting them flush with the trunk.
4. Make sure each log is no longer than 21 in. and the diameter is 10 in. or less.

Place a log on the log splitter

Place a properly prepared log (LL, not included) firmly on the worktable (C) between the two worktable guards (D). The log should fit between the push rod (B) and the splitting wedge (E).



Operate the log splitter

Two controls, a hydraulic control lever (A) and an ON/OFF push button (N), must be activated to operate the log splitter. Both controls must be held during the splitting process. If either control is released, the log splitter will stop automatically.

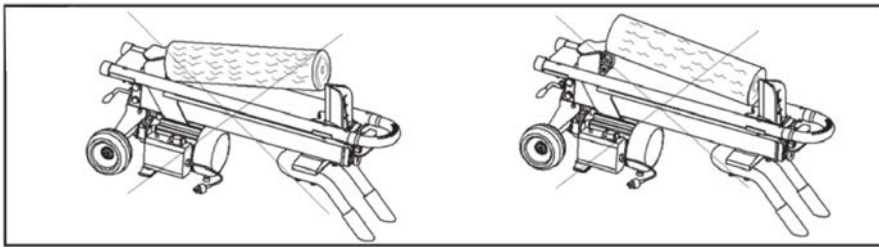
1. Loosen the bleed screw (H) one or two turns, if needed.
2. Depress and hold the ON/OFF push button (N) with your right hand and allow the motor to cycle up to speed.
3. Push down on the hydraulic lever (A).
4. Release the ON/OFF push button (N) and the lever (A) when the log is split. The push rod (B) will retract.

Warning: If the log does not begin to split after 5 seconds of operation, release both controls. The motor or hydraulic fluid may overheat and damage the machine.

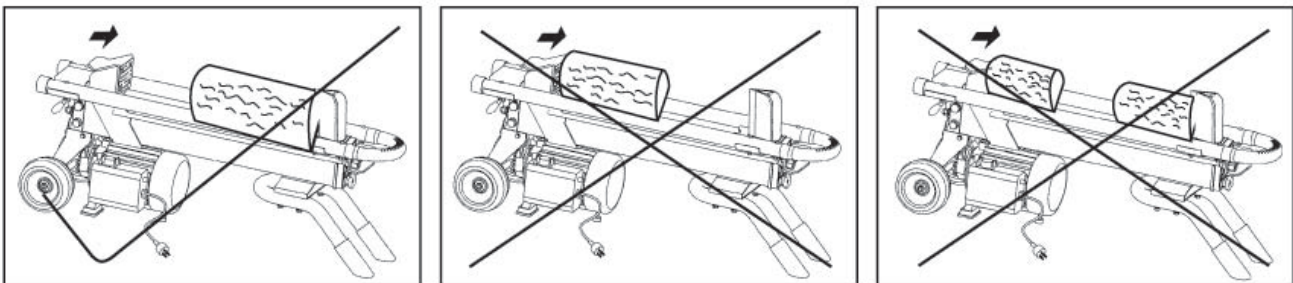
Remove a jammed log

Warning: Do not attempt to remove a jammed log with your hand or try to knock it off the worktable. Doing so may cause injury and may also damage the splitting wedge.

1. Release the ON/OFF push button (N) and the hydraulic lever (A) to turn off the power and retract the push rod (B).
2. Insert a wooden wedge (MM, not included) under the jammed log (LL).
3. Activate the push button (N) and the hydraulic lever (A) to start the log splitter and push the wedge under the log.
4. Release both controls when the log is freed, or when the log is at the height of the wooden wedge (MM).



5. Repeat steps 3 through 4 until the log is freed.
6. Never try to split logs larger than the rated capacity of the log splitter. Attempting to do so could result in personal injury and damage to the log splitter.
7. Never place hands or feet between log and splitting wedge or between log and ram during forward or reverse stroke.
8. Keep clear of moving parts.
9. Do not attempt to split more than one log at one time.



MAINTENANCE

WARNING

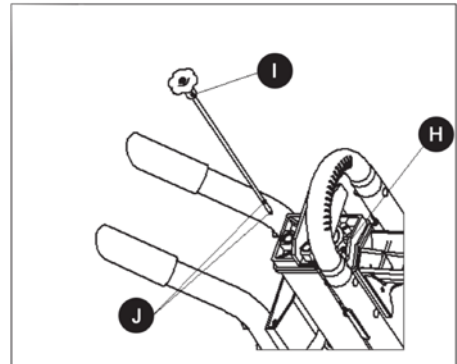
Prior to inspection or maintenance, turn off power switch and disconnect plug from power source.

Check the level of hydraulic fluid before each use. Replace the hydraulic fluid at the beginning of each season or if the fluid level is low. Use an AW32 hydraulic fluid for operation over 40°F and automatic transmission fluid for operation below 40°F.

Check the hydraulic fluid level

Warning: Lifting the log splitter is a two person operation. Once raised, make sure the log splitter is stable before performing any maintenance.

1. Make sure the bleed screw (H) is closed.
2. Lift up on the handle of the log splitter. Make sure the splitter is resting securely and will not fall.
3. Use the hex wrench to loosen the fluid drain bolt (I).
4. Pull out the bolt with attached dipstick.
5. Wipe the fluid off the dipstick.
6. Put the dipstick back in the fluid tank and then pull it out again.
7. Check the fluid level. It should be between the two notches (J) near the end of the dipstick.
8. Add fluid, if needed.
9. Replace the dipstick and tighten the fluid drain bolt.



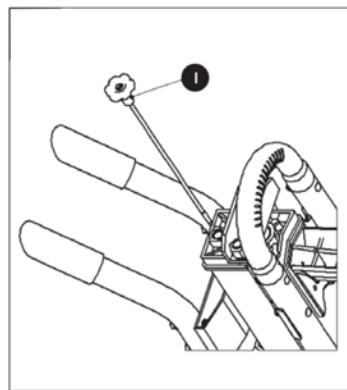
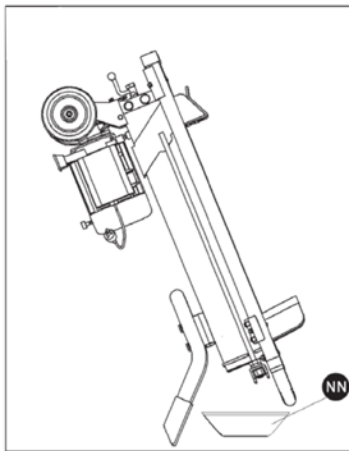
Replace hydraulic fluid

Warning: Lifting the log splitter is a two person operation. Once raised, make sure the log splitter is stable before performing any maintenance.

1. Place a 1 gallon (or larger) pan (NN, not included) under the motor end of the log splitter.
2. Use the hex wrench to loosen the fluid drain bolt (I) and remove the bolt with attached dipstick.
3. Raise the splitting wedge end of the log splitter to allow the fluid to drain into the pan. Lower the splitter when it is empty.

Note: Dispose of used fluid properly.

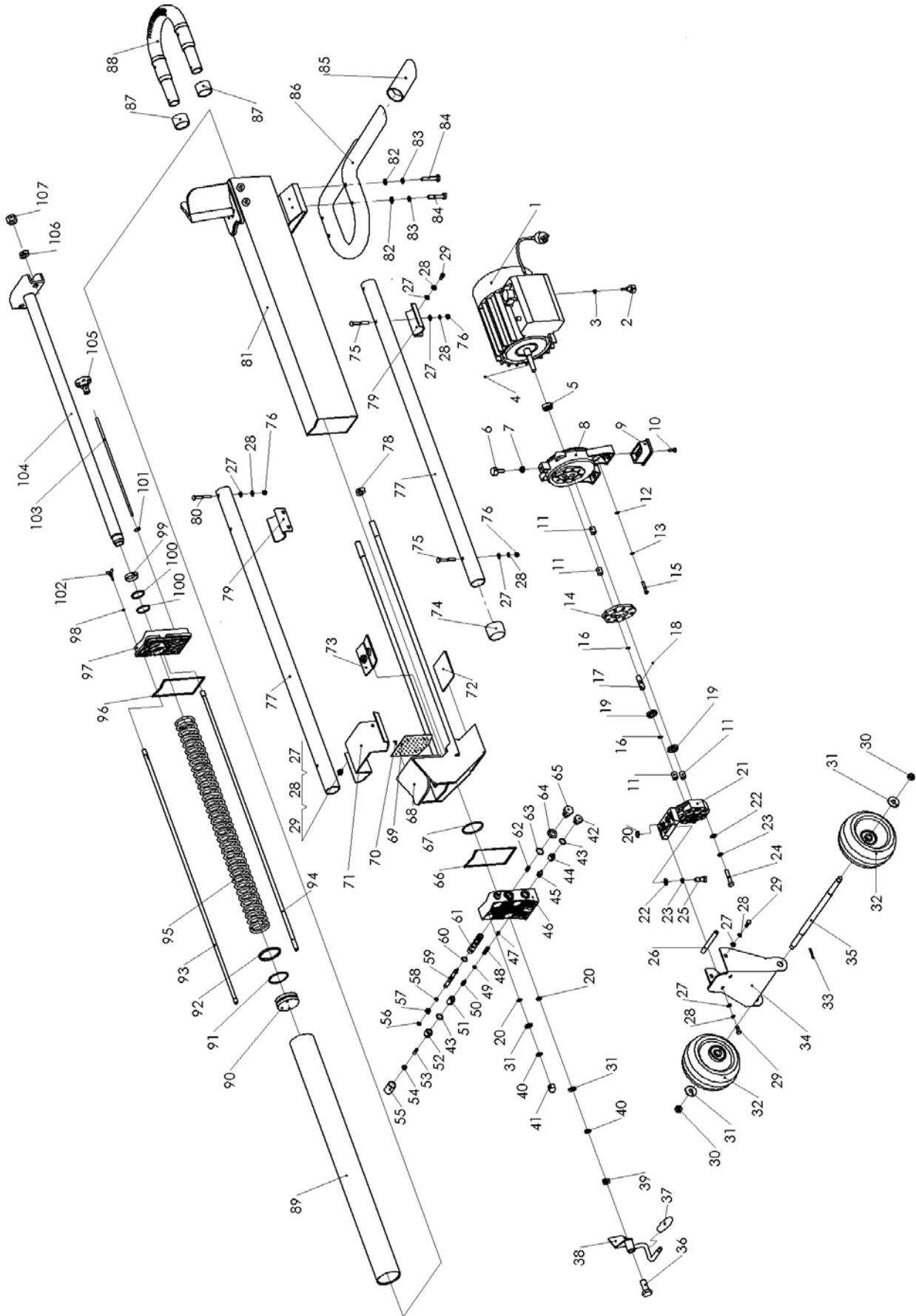
4. Raise the motor end of the splitter and make sure it is secure.
5. Pour approximately 2.9 quarts of approved hydraulic fluid for operation over 40°F or automatic transmission fluid for operation below 40°F.
6. Check the fluid level with the dipstick. Add more fluid if needed.
7. Replace the fluid drain bolt (2) and tighten securely.
8. Lower the log splitter.



TROUBLESHOOTING

Problem	Cause	Action
Logs will not split	Extension cord is too long or gauge is too low.	Check extension cord to ensure the gauge of the cord is 10 or 12 AWG and that the cord length does not exceed 25 ft.
	Incorrect positioning of the log.	Make sure the log is properly positioned on the worktable.
	The size or hardness or density of the log may exceed the capacity of the log splitter.	Reduce the log size before placing it on the log splitter.
	Splitting wedge cutting edge is blunt or dull.	Sharpen the wedge.
	The bleed screw was not loosened and air is trapped in the hydraulic tank.	Loosen the bleed screw one or two turns.
	The hydraulic fluid is low and may need to be replenished.	Check the hydraulic fluid level.
	The maximum pressure limiting adjustment setting has changed.	Contact customer service (800)791-9458.
Hydraulic fluid leaks	The bleed screw may not have been tightened before transporting the splitter.	Tighten the bleed screw.
	The bleed screw may not have been loosened before operation and air is trapped in the hydraulic system.	Loosen the bleed screw one or two turns.
	The fluid drain bolt may be loose.	Use the hex wrench to tighten the bolt.
	The hydraulic control valve assembly and/or seals may be worn.	Contact customer service (800)791-9458.
Push rod movement is jerky, makes unfamiliar noise or vibration.	The hydraulic fluid level may be low.	Check the fluid level and refill if needed.
	There may be air in the hydraulic system.	Loosen the bleed screw one or two rotations.

EXPLODED VIEW & PARTS LIST



Item	Stock #	Description	Qty
1	PS90-001	Motor	1
2	PS90-002	Rubber washer B	1
3	PS90-003	Nut M5	1
4	PS90-004	Column pin 2.5×4	1
5	PS90-005	Oil seal 11×26×7	1
6	PS90-006	Rubber washer A	1
7	PS90-007	Nut M8	1
8	PS90-008	Front cover	1
9	PS90-009	Front rubber feet	2
10	PS90-010	Bolt M6×12	2
11	PS90-011	Bushing	4
12	PS90-012	Flat washer 5	4
13	PS90-013	Spring washer 5	4
14	PS90-014	Clapboard	1
15	PS90-015	Bolt M5×25	4
16	PS90-016	Steel ring 10	2
17	PS90-017	Gear shaft	1
18	PS90-018	Steel ball 2.5	1
19	PS90-019	Gear	2
20	PS90-020	Oil seal 9.5×2.65G	6
21	PS90-021	Pump cover	1
22	PS90-022	Flat washer 8	9
23	PS90-023	Spring washer 8	9
24	PS90-024	Bolt M8×55	6
25	PS90-025	Bolt M8×30	3
26	PS90-026	Shaft	1
27	PS90-027	Flat washer 6	20
28	PS90-028	Spring washer 6	18
29	PS90-029	Bolt M6×12	10
30	PS90-030	Lock nut M10	2
31	PS90-031	Flat washer 10	8
32	PS90-032	Wheel	2
33	PS90-033	Cotter pin 3.2×20	1
34	PS90-034	Bracket for wheel	1
35	PS90-035	Wheel shaft	1
36	PS90-036	Bolt	1
37	PS90-037	Rubber sleeve	1
38	PS90-038	Hydraulic control lever	1
39	PS90-039	Nut M10	1
40	PS90-040	Spring washer 10	5
41	PS90-041	Nut M10	3
42	PS90-042	Hex Bolt A	1
43	PS90-043	Oil seal 11.8×1.8G	2
44	PS90-044	Hex Bolt	1
45	PS90-045	Oil valve	1
46	PS90-046	Front cover	1
47	PS90-047	Prick valve	1
48	PS90-048	Adjustment spring	1
49	PS90-049	Oil Seal 4.87×1.8G	2

Item	Stock #	Description	Qty
50	PS90-050	Shaft	1
51	PS90-051	Bush for shaft	1
52	PS90-052	Hex nut	1
53	PS90-053	Locked nut M6×20	1
54	PS90-054	Nut M6	1
55	PS90-055	Plastic cover	1
56	PS90-056	E-ring	1
57	PS90-057	Spring	1
58	PS90-058	Oil seal 5.6×1.8G	1
59	PS90-059	Journey valve	1
60	PS90-060	Oil seal 11.2×1.8G	5
61	PS90-061	Control valve (GS)	1
62	PS90-062	Spring II	1
63	PS90-063	Oil seal 14×1.8G	1
64	PS90-064	Copper washer 14	1
65	PS90-065	Orientation Bolt	1
66	PS90-066	Washer	1
67	PS90-067	Oil seal 48.7×3.55G	1
68	PS90-068	Push rod	1
69	PS90-069	Tine plate	1
70	PS90-070	Bolt M4×6	4
71	PS90-071	Front bracket	1
72	PS90-072	Down pad	1
73	PS90-073	Upper pad	1
74	PS90-074	Rubber plug	2
75	PS90-075	Bolt M6×50	4
76	PS90-076	Nut M6	6
77	PS90-077	Worktable guard	2
78	PS90-078	Nut M14	2
79	PS90-079	Bracket	2
80	PS90-080	Bolt M6×45	2
81	PS90-081	Cylinder body	1
82	PS90-082	Flat washer 8	4
83	PS90-083	Spring washer 8	4
84	PS90-084	Bolt M8×50	4
85	PS90-085	Rubber foot	2
86	PS90-086	Rear support	1
87	PS90-087	Plastic bush	2
88	PS90-088	Handle	1
89	PS90-089	Cylinder	1
90	PS90-090	Piston	1
91	PS90-091	Oil seal 46.2×3.55G	1
92	PS90-092	Piston ring	1
93	PS90-093	Stud B	3
94	PS90-094	Stud A	1
95	PS90-095	Spring	1
96	PS90-096	Gasket	1
97	PS90-097	Rear cover	1
98	PS90-098	Oil seal 3.6×1.8G	1

Item	Stock #	Description	Qty
99	PS90-099	Dustproof seal	1
100	PS90-100	Oil seal 30×2.65G	2
101	PS90-101	Oil seal 11.8×2.65G	1
102	PS90-102	Bleed screw	1
103	PS90-103	Dipstick	1
104	PS90-104	Piston bar	1
105	PS90-105	Knob	1
106	PS90-106	Nut M14	2
107	PS90-107	Lock nut M14	2

TWO (2) YEARS LIMITED WARRANTY

PowerSmart® is committed to building tools that are dependable for years. Our warranties are consistent with our commitment and dedication to quality.

TWO (2) YEARS LIMITED WARRANTY OF POWER SMART PRODUCTS FOR HOME USE.

PowerSmart ("Seller") warrants to the original purchaser only, that all PowerSmart consumer power tools will be free from defects in material or workmanship for a period of two (2) years from date of purchase. Ninety (90) days for all Power Smart Products, if the tool is used for professional or commercial use.

SELLER'S SOLE OBLIGATION AND YOUR EXCLUSIVE REMEDY under this Two (2) Years Limited Warranty and, to the extent permitted by law, any warranty or condition implied by law, shall be the repair or replacement of parts, without charge, which are defective in material or workmanship and which have not been misused, carelessly handled, or misrepaired by persons other than Seller or Authorized Service Center. To make a claim under this Limited Warranty, you must return the entire power tool product; transportation prepaid, to Power Smart Include a legible copy of the original receipt, which lists the date of purchase (month and year) and the name of the company purchased from.

THIS LIMITED WARRANTY DOES NOT APPLY TO ANY ACCESSORY ITEMS INCLUDED WITH THE TOOL SUCH AS CIRCULAR SAW BLADES OTHER RELATED ITEMS OR TO ANY REPLACEMENT PARTS LISTED UNDER MAINTENANCE.

ANY IMPLIED WARRANTIES SHALL BE LIMITED IN DURATION TO TWO (2) YEARS FROM DATE OF PURCHASE. SOME STATES IN THE U.S. AND SOME CANADIAN PROVINCES DO NOT ALLOW LIMITATIONS ON HOW LONG AN IMPLIED WARRANTY LASTS, SO THE ABOVE LIMITATION MAY NOT APPLY TO YOU.

IN NO EVENT SHALL SELLER BE LIABLE FOR ANY INCIDENTAL OR CONSEQUENTIAL DAMAGES (INCLUDING BUT NOT LIMITED TO LIABILITY FOR LOSS OF PROFITS) ARISING FROM THE SALE OR USE OF THIS PRODUCT. SOME STATES IN THE U.S. AND SOME CANADIAN PROVINCES DO NOT ALLOW THE EXCLUSION OR LIMITATION OF INCIDENTAL OR CONSEQUENTIAL DAMAGES, SO THE ABOVE LIMITATION OR EXCLUSION MAY NOT APPLY TO YOU.

THIS LIMITED WARRANTY GIVES YOU SPECIFIC LEGAL RIGHTS, AND YOU MAY ALSO HAVE OTHER RIGHTS WHICH VARY FROM STATE TO STATE IN THE U.S., PROVINCE TO PROVINCE IN CANADA AND FROM COUNTRY TO COUNTRY.

For questions / comments, technical assistance or repair parts –
Please call toll free at: 1-800-791-9458 (M-F 9am – 5pm EST)
Email: support@amerisuninc.com

SAVE YOUR RECEIPTS. THIS WARRANTY IS VOID WITHOUT THEM.