

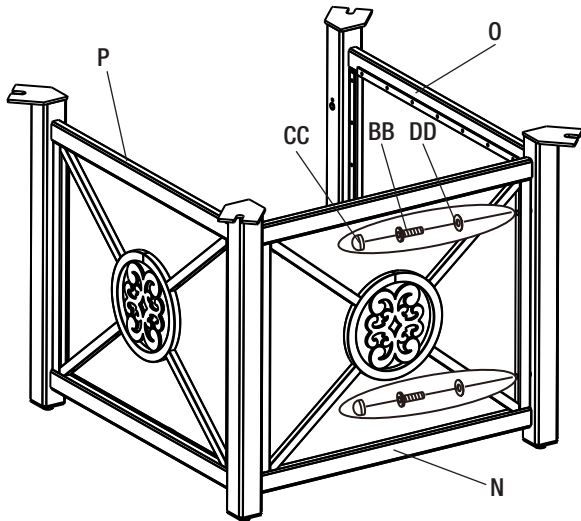
# Assembly

## 1 Assembling the side panels

- Attach the back panel (N) to the left and right side panels (O and P) using four ¼ in. x 45 mm bolts (BB) and Ø6.5 x 1.0 mm washers (DD). Guide the bolts (BB) through the holes in the back panel (N) and into the pre-drilled holes in the side panels (O and P). Hand tighten only.

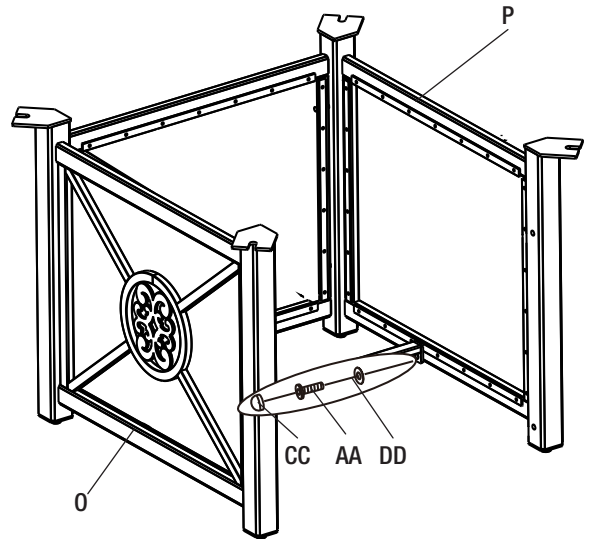


**NOTE:** Bolt covers (CC) are not added until step 9. They are shown in the illustrations prior to step 9 to illustrate their proper locations.



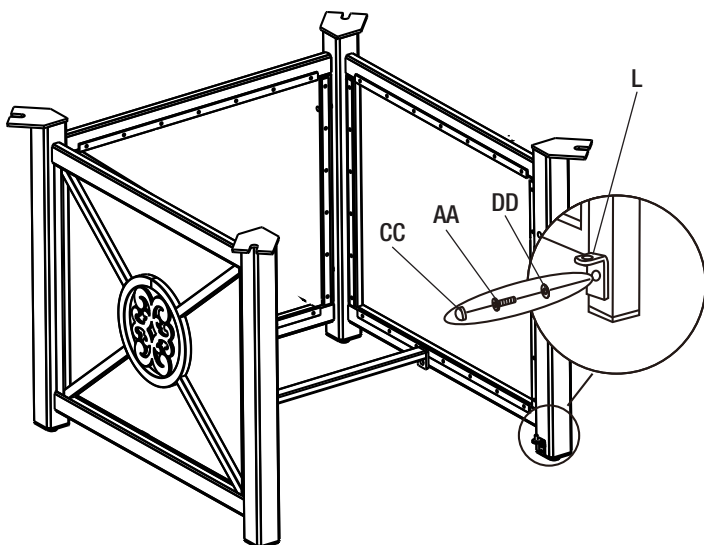
## 2 Attaching the middle support

- Attach the middle support (T) to the side panels (P and O) using two ¼ in. x 18 mm bolts (AA) and Ø6.5 x 1.0 mm washers (DD). Guide the bolts (AA) through the holes in the middle support (T) and into the pre-drilled holes in the side panels (O and P). Hand tighten only.



## 3 Attaching the door panel

- Attach the "L" connector of the door panel (L) to the right side panel (O) using a ¼ in. x 18 mm bolt (AA) and Ø6.5 x 1.0 mm washer (DD). Guide the bolt (AA) through the hole in the "L" connector portion of the door panel (L) and into the pre-drilled hole in the right side panel (O). Do not over tighten.



## 4 Securing the door panel

- Put the door onto the "L" connector (pre-assembled), guide the pin on the lower "L" connector into the hole under the door. Then guide the pin on the upper "L" connector (L) into the hole in the upper portion of the door. Use a ¼ in. x 18 mm bolt (AA) and Ø6.5 x 1.0 mm washer (DD) to secure the "L" connector to the side panel-2 (P). Do not over tighten.

