

PRESENZA
ITALIA

**UNDER CABINET RANGE HOOD
CAMPANA EXTRACTORA PARA
LA PARTE INFERIOR DE LA
ALACENA**



**INSTALLATION GUIDE
AND USER MANUAL**

**GUÍA DE INSTALACIÓN
Y MANUAL OPERATIVO**

Model No Modelo QR045

Table of Contents

Table of Contents 2
 Safety Information 2
Warranty
 One Year Limited Warranty..... 4
 Warranty Claim Procedure..... 4
Pre-Installation
 Tools/Materials Required..... 5
 Package Contents 6
 Hardware Included..... 6
 Planning Installation 7
Installation 10
Operation..... 13


Maintenance
 Replacing Filters 14
 Replacing Lights 14
Care and Cleaning
 Range Hood 15
 Filters..... 15
Troubleshooting 16
Specifications
 Wiring Diagram 17
 External Range Hood Diagram..... 18
Service Parts..... 19
MANUAL DEL USARIO 20


Safety Information


READ AND SAVE THESE INSTRUCTIONS


Warning - To reduce the risk of fire, electric shock, or injury to persons, observe the following:


1. Use this unit only in the manner intended by the manufacturer. If you have any questions, contact the manufacturer.
2. Before servicing or cleaning unit, switch power off at service panel and lock service disconnecting means to prevent power from being switched on accidentally. When the service disconnecting means cannot be locked, securely fasten a prominent warning device, such as a tag, to the service panel.
3. Installation work and electrical wiring must be done by qualified person(s) in accordance with all applicable codes and standards, including fire-rated construction.
4. Sufficient air is needed for proper combustion and exhausting of gases through the flue (chimney) of fuel burning equipment to prevent back drafting. Follow the heating equipment manufacturer’s guideline and safety standards such as those published by the National Fire Protection Association (NFPA), and the American Society for Heating, Refrigeration and Air Conditioning Engineers (ASHRAE), and the local code authorities.
5. When cutting or drilling into a wall or ceiling, do not damage electrical wiring and other hidden utilities.
6. Ducted fans must always be vented to the outdoors.


 **DANGER:** Turn off the power circuit breaker or the power switch on the junction box before installing or servicing this unit. Touching circuitry inside the range hood while it is energized will result in death or serious injury.


 **DANGER:** All electrical wiring must be properly installed, insulated, and grounded. Improper insulation and grounding will result in deadly electrical shock.

 **DANGER:** If installing this unit over a gas range, turn off the gas at the source before installing or servicing this unit.

 **WARNING:** Attempting to install or service this unit when you do not have the necessary technical or electrical background could result in personal injury.

 **WARNING:** The unit has sharp edges. Always wear safety gloves during installation, cleaning, or servicing.

 **WARNING:** Always leave safety grills and filters in place. Without these components, operating fans could catch on to hair, fingers, or loose clothing.

 **WARNING:** Stay clear of the rotating fan when the motor is running.

 **WARNING:** Keep this appliance clean and free of grease and residue build-up at all times to prevent fires.

 **CAUTION:** This device is for general ventilating use only. Do not use to exhaust hazardous or explosive materials and vapors.

Safety Information (continued)

COOKING SAFETY INFORMATION

1. Never leave the range hood unattended when in use.
2. Never cook over open flames under the range hood.
3. Always turn the range hood on when cooking at high heat or when cooking flaming foods.
4. If you choose to hang the range hood as below (Fig. 1) distance (D) from the cooktop surface, use extra caution as the surface of range hood may be extremely hot to the touch. For this unit, (D in Fig. 1) is 458 mm - 710 mm (18 in - 28 in). If you choose an 18 in installation, the temperature of the unit surface will be high if the unit is operated under high power cooking for a certain amount of time.
5. Use caution when cooking with oil or with deep-fryers. Overheating may cause oil to reach its flash point and ignite. Used oil will ignite at lower temperatures than fresh oil. Heat oils slowly on low to medium setting.
6. Avoid boil overs, as they may cause smoking and greasy spillovers that could ignite.
7. To prevent burns or fires, always use cookware appropriate to the size of the heating element that you are using.
8. In event of a cooking fire, observe the following:
 - Be careful to avoid burns.
 - Smother flames with a close-fitting lid, cookie sheet, or metal tray, then turn off the burner. If the flames do not go out immediately, evacuate and call the fire department.
 - Never pick up a flaming pan.
 - Do not use water, including wet dishcloths or towels, as you could cause a steam explosion.
 - Use an extinguisher only if: (a) you have a class ABC extinguisher and you know how to operate it, (b) the fire is small and contained in the area where it started, (c) the fire department is being called, and (d) you can fight the fire with your back to the exit.



WARNING: To reduce the risk of fire, use only metal duct work. Never use plastic duct work.



WARNING: To reduce the risk of fire or electric shock, do not use this range hood with with any external solid state speed control device.



CAUTION: For general ventilation use only. Do not use the range hood fans to exhaust hazardous or explosive vapours.



CAUTION: Never dispose of cigarette ashes, ignitable substances, or any foreign objects in fans.



CAUTION: At least two people are needed to move and safely install the unit. Failure to properly lift the range hood could result in product damage or personal injury.

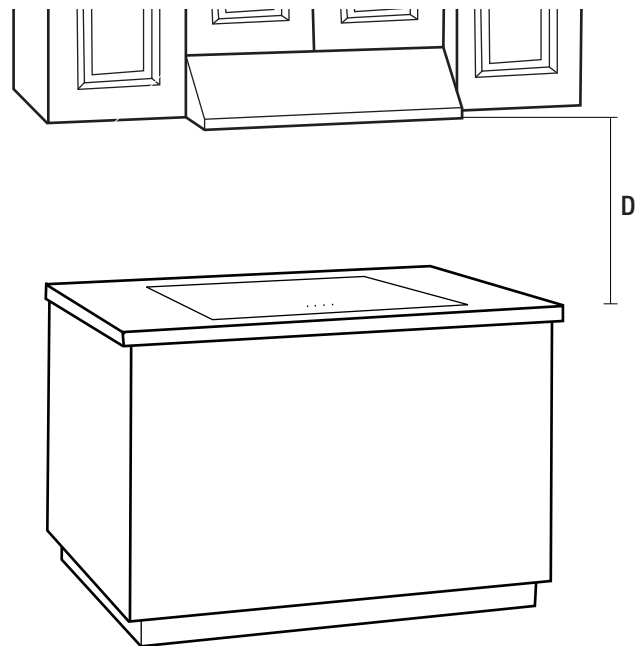


Fig. 1

CLEANING SAFETY INFORMATION

1. The fan and filters must be cleaned periodically and kept free from accumulation of cooking residue. Old and worn filters must be replaced immediately.
2. Never disassemble parts to clean. Parts should be disassembled by qualified persons only.

Warranty

ONE YEAR LIMITED WARRANTY

A thorough inspection must be made before installation and any damage must be promptly reported. We will not be liable for failures or damage that could have been discovered or avoided by proper inspection and testing prior to installation.

Conglom Kitchen & Bath warrants this product to be free from defects in materials or workmanship for one (1) year from the date of purchase. Proof of purchase (original sales receipt) from the original consumer purchaser must be made available to Conglom Kitchen & Bath for all warranty claims.

This warranty is non-transferable and shall be voided if the unit is removed from its initial installation or if it is not installed following the manufacturer's instructions. It does not apply in the event of product damage due to the use of other than genuine Conglom Kitchen & Bath replacement parts, (Replacement parts may be obtained by e-mail at customer.service@conglomkb.com or by calling 1-877-333-0098 between 8:30 am - 5:00 pm EST) installation error, abuse, misuse or improper care and maintenance (whether performed by a plumber, contractor, service provider or member of the purchaser's household). The warranty excludes damage due to aggressive air or water conditions, harsh or abrasive cleaners and/or materials.

Under no circumstance shall we be held liable for personal injury or property damage resulting from improper installation or use of this product. We will not be held liable for inconvenience caused by loss of use of this product, costs incurred for labour or materials, removal and installation of replacement units, or any other incidental or consequential damages. Costs relating to obtaining access for repair or replacement are the responsibility of the user.

Our obligation shall be limited to the repair or replacement of a unit (at our discretion) that may prove, by our sole examination, to be defective under normal use and service during the warranty period.

Any failure of this product that is not traceable to a defect in material or workmanship is not covered by this warranty. These non-warrantable items include, but are not limited to:

- Improper installation not in accordance with manufacturer's instructions.
- Dents and/or scratches incurred during shipping, handling, or installation.
- Change in colour or finish due to chemical usage.
- Damage caused by failure to follow care and cleaning guidelines, including damage caused by the use of abrasive cleaners.
- Alterations made to the unit by the purchaser or installer.
- Damage caused by accidental impact, fire, flood, freezing, and normal wear.
- Bends and warping caused by forced connections, over-tightened fittings, and inadequate support during installation.
- Any defects or damage to light bulbs.

This warranty does not extend to commercial and institutional installation or use.

WARRANTY CLAIM PROCEDURE

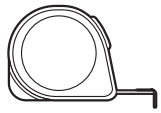
If a claimable defect occurs or replacement parts are needed, please contact our customer service team at customer.service@conglomkb.com or 1-877-333-0098 (Service available in English and French, Monday - Friday from 8:30 am - 5 pm, EST).

Before you make your call, please ensure that you have:

- Model number or description.
- Proof of sale.
- Details regarding the defect and/or part number.
- Name(s) and address(es) of the owner and/or installer.

Pre-Installation

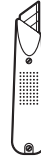
TOOLS/MATERIALS REQUIRED (NOT SUPPLIED)



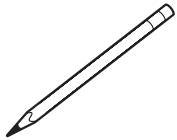
Measuring tape



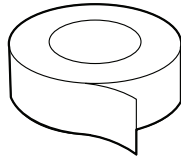
Level



Utility knife



Pencil



Tape



Adjustable wrench



Phillips screwdriver



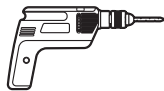
Flathead screwdriver



Needle nose pliers



Hammer



Electric drill



Safety goggles

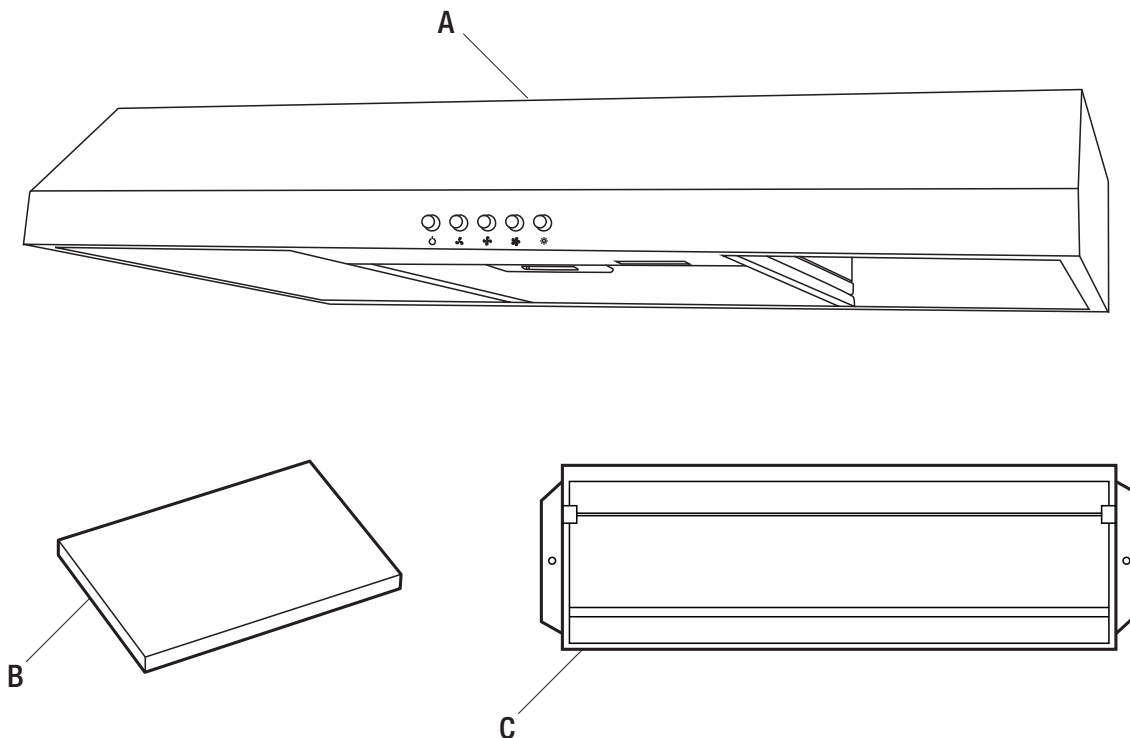


Safety gloves

Pre-Installation (continued)

ENGLISH

PACKAGE CONTENTS



Part	Description	Quantity
A	Range hood	1
B	Charcoal filter (located inside the hood)	1
C	Damper (located on the hood)	1

HARDWARE INCLUDED

NOTE:

Parts not shown to actual size.



Part	Description	Quantity
AA	Long tapping screw - (M5 mm x 12 mm)	4
BB	Short tapping screw - (M4 mm x 8 mm)	2

Pre-Installation (continued)

PLANNING INSTALLATION

Number of people required: 2 or more

Carefully check the range hood for damage and for missing parts prior to installation. If there is any damage or if you are missing parts, do not proceed with the installation. Report damage and missing parts immediately. Do not dispose of packaging before you are satisfied with your new range hood.



WARNING: Always wear safety goggles and gloves during installation.

1. Before installation, measure all distances to ensure the proper position of the range hood (A).

- The distance (1) from the cooking surface to the range hood must be at least 458 mm (18 in). For the best performance, do not install the range hood more than 710 mm (28 in) above the cooking surface.
- Dimension (2) should be at least 762 mm (30 in). The range hood should be approximately the same size as the cook top.

2. If the bottom of the cabinet (3) above the location where the range hood is to be installed is recessed, attach appropriately sized wood filler strips (4) on each side using wood screws.

3. Screws are provided to secure the range hood to most types of cabinets, but consult a qualified installer to verify that the supplied screws are suitable for your cabinets.

4. Put a thick, protective covering over your counter, cooktop, or range to protect it from damage and dirt during installation. Remove any hazardous objects around the area.

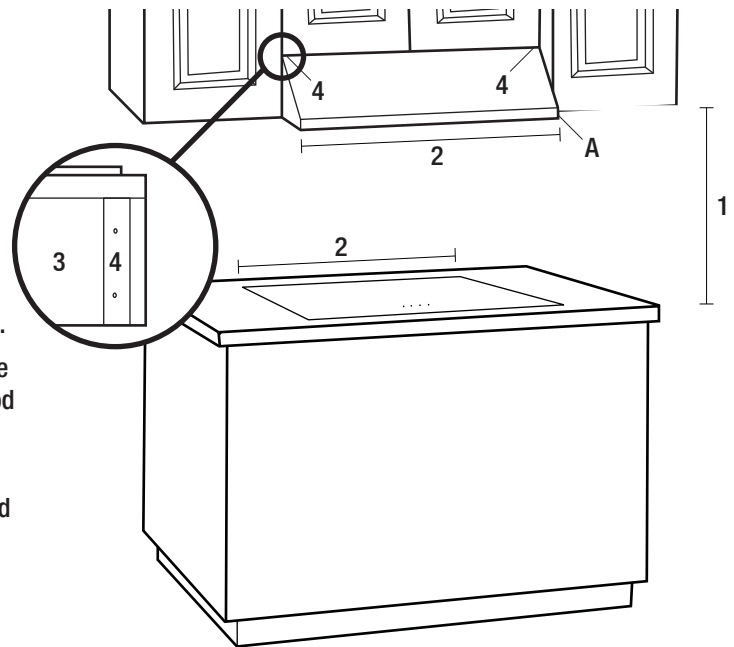


Fig. 2

VENTING OPTIONS:

- Determine if your existing venting system is top venting or back venting, and ensure that the openings in the cabinet or wall for the damper and for power access are in appropriate locations and are of appropriate sizes, as per Fig. 3 if it is top vent or Fig. 4 if it is back vent.
- If this is a new installation, choose the venting method that suits your needs. Cut out openings for the damper and for power access in the cabinet bottom or exterior wall, depending on the direction of venting chosen.

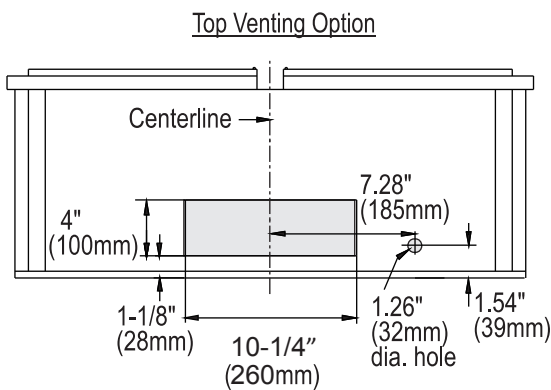


Fig.3

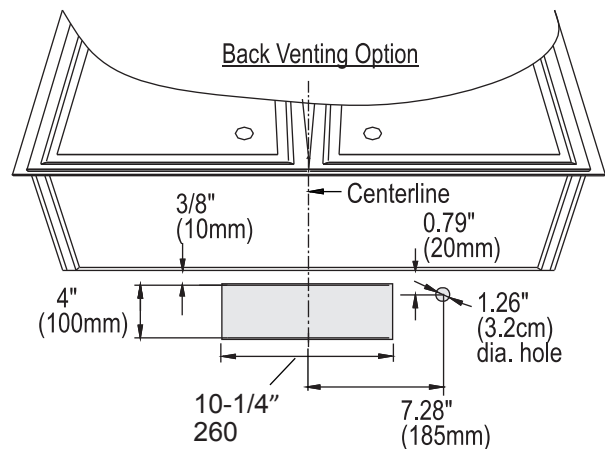


Fig.4

Pre-Installation (continued)

FOLLOW THESE GUIDELINES WHEN INSTALLING DUCT WORK:

- Your venting system must vent to the outdoors either horizontally through the back wall (13) or vertically through the roof (14) (refer to Fig. 5/ Fig. 6/ Fig. 7).
- Use round metal duct work with a uniform diameter of 152 mm (6 in). The total duct run in the venting system should be not more than 10.7 m (35 ft).
- Calculate the total effective length of the duct work by adding the equivalent lengths in the table shown (Fig. 9). For each fitting used add the length of the equivalent straight duct used in the system.
- Fasten all connections between pieces of duct with sheet metal screws and tape all joints with certified duct tape.
- If you must turn the path of the duct work using elbows, keep the number of elbows to a minimum for effective performance and use no more than three 90° elbows. Ensure that there is a minimum of 458 mm (18 in) of straight vent between each elbow. Elbow as far away from the range hood's exhaust opening as possible.
- Cap the exterior of the duct with a wall cap (15) or roof cap (16). Never use 102 mm (4 in) laundry-type wall caps. Use caulking to seal exterior wall or roof opening around the cap.
- The venting system must have a damper. If the roof or wall cap has a damper, do not use the damper supplied with the range hood.

Horizontal Wall Venting

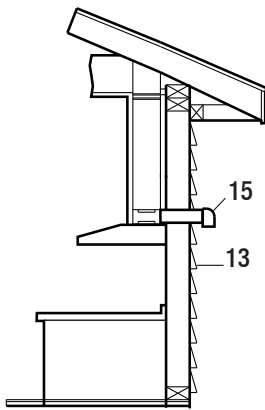


Fig.5

Horizontal Wall Venting

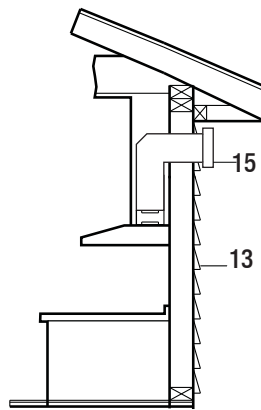


Fig.6

Vertical Roof Venting

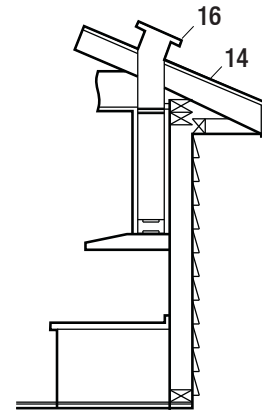


Fig.7

For inside venting system (air does not exhaust to outdoors) (Fig. 8):

Please refer to the Installation section. The cover on the top plate will be removed and air will be exhausted through the charcoal filter and out from 17.

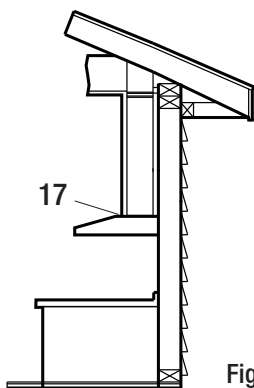


Fig. 8

Equivalent Length Chart

Type of duct	Length added
45° Elbow	0.91 m (3 ft)
90° Elbow	1.52 m (5 ft)
90° Flat elbow	3.66 m (12 ft)
2.74 m (9 ft) Straight duct	2.74 m (9 ft)
Wall cap	0 m (0 ft)

Fig. 9

Pre-Installation (continued)

WIRING CONNECTION REQUIREMENTS

Installation work and electrical wiring must be done by a qualified person(s) in accordance with all applicable codes and standards, including fire-rated construction.

OBSERVE ALL GOVERNING CODES AND ORDINANCES WARNINGS

- Electrical grounding is required for this range hood. Check with a qualified electrician if you are not sure whether the range hood is properly grounded.
- Failure to follow electrical requirements may result in a fire.
- A fuse in the neutral or grounding circuit could result in electrical shock.
- If the hot/cold water pipe is interrupted by plastic nonmetallic gaskets or other materials, DO NOT use for grounding.
- DO NOT GROUND TO A GAS PIPE.

IMPORTANT: It is the customer's responsibility to contact a qualified electrical installer and assure that the electrical installation is adequate and complies with the National Electrical Code, or CSA standards, as well as all local codes and ordinances.

1. Save installation instructions for electrical inspector's use.
2. If codes permit and a separate ground wire is used, it is recommended that a qualified electrician determine if the ground path is adequate.
3. DO NOT use an extension cord or adapter plug with this appliance.
4. The range hood must be connected with copper wire only.
5. The range hood should be connected directly to the junction (or circuit breaker) box through flexible, armoured or nonmetallic sheathed copper cable. Allow some slack in the cable so the appliance can be moved if servicing is ever necessary.
6. A UL listed or CSA approved conduit connector must be provided at each end of the power supply cable (at the range hood and at the junction box).
7. When making the electrical connection, cut a 3.2 cm (1-1/4 in) hole in the wall. A hole cut through wood must be sanded until smooth. A hole through metal must have a grommet.
8. When cutting or drilling into the wall or ceiling, do not damage electrical wiring and other hidden utilities.
9. Wire size must conform to all local codes and ordinances. The latest edition requirements of the National Electrical Code ANSI/NFPA 70, or the latest edition CSA Standards C22.1-94, Canadian Electrical Code Part 1 and C22.2 No. 0-M91.



DANGER: Risk of electrical shock. This range hood must be properly grounded.



DANGER: Turn off the power circuit breaker or the power switch on the junction box before installing this unit. Touching circuitry inside the range hood while it is energized will result in death or serious injury.

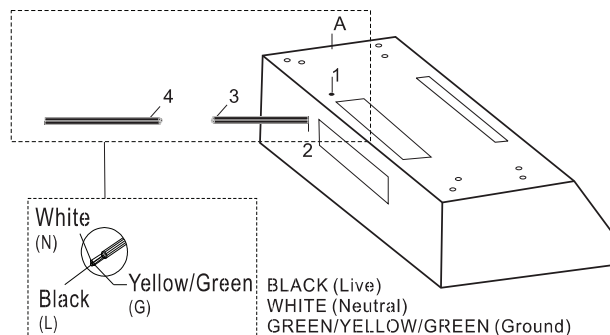


DANGER: All electrical wiring must be properly installed, insulated, and grounded. Improper insulation and grounding will result in deadly electrical shock.

NOTE:

Temporarily wire the range hood to test it for proper operation. If the range hood does not operate correctly, do not proceed with the installation.

- Use the power supply cable to connect the range hood (A) directly to the junction box or circuit breaker box. Use a flexible, armoured, or nonmetallic sheathed copper cable only. Never use an extension cord or adapter plug.
- Connect a UL-listed or CSA-approved conduit connector to each end of the power supply cable (at the range hood and at the junction box). Connect the three colored wires (3) from the range hood (A) to the corresponding wires (4) from the electrical source: black to black (live), white to white (neutral), and green/yellow to green/yellow (ground). Use either the top hole (1) or the back hole (2) of the range hood depending on your installation type.
- Turn the power on, and ensure that the lights and the fan are operating correctly.
- Once you have tested the electrical connection, disconnect the power supply cable and wires from the electrical source before proceeding with the rest of the installation.



Installation

REMOVING THE ELECTRICAL KNOCK-OUT HOLE



WARNING: Always wear safety goggles and gloves during installation.

- Choose the appropriate electrical knock-out hole to remove for your installation type. Use the top hole (1) if your electrical supply is in the cabinet and the back hole (2) if your electrical supply is on the wall below the cabinet (refer to Fig. 10).
- Use a hammer and a flathead screwdriver to gently punch out the electrical knock-out hole.

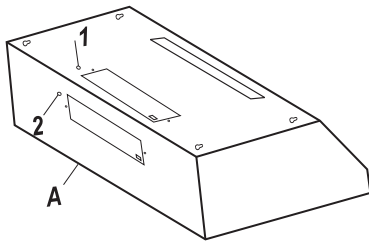


Fig. 10

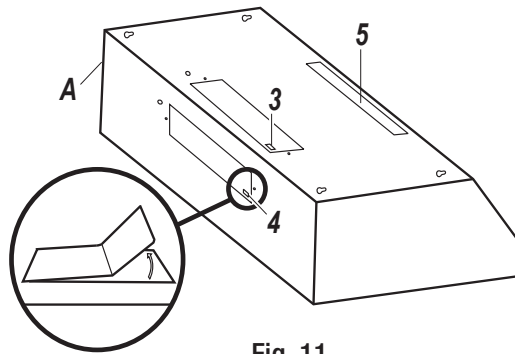


Fig. 11

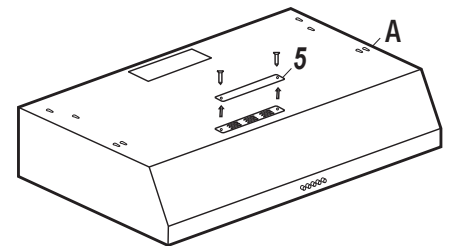


Fig. 12

REMOVING THE VENTING HOLE

- Choose the venting hole to remove for your installation type. Use the top hole (3) for a top venting installation and the back hole (4) for a back venting installation.
- Carefully remove the cover (3 or 4) of the appropriate venting hole using a flat head screwdriver or needle nose pliers (refer Fig. 11). Be careful not to leave any debris inside the range hood (A).
- If you are venting indoors, unscrew the 2 screws holding cover (5) in place and remove the cover as per Fig. 12. **DO NOT REMOVE ANY OTHER VENTING HOLE COVER.**

INSTALLING THE DAMPER (SKIP THIS STEP IF YOU ARE USING INTERIOR VENTING)

NOTE:

Only install the damper if you are using a venting system that does not already have a damper.

If this hood replaces an existing unit, the location of the air exhaust can vary from one manufacturer to another. Ensure that the damper fits in the existing opening before installing.

- Choose to install the damper (C) either in the top position (3) for top venting or in the back position (4) for back venting.
- Insert the damper (C) into the chosen hole in the range hood (A), ensuring that the central flap (6) goes into the hole while the two side flaps (7) remain above it.
- Lift the lid (8) of the damper and screw the damper (C) to the range hood (A) with the two short tapping screws (BB).
- Seal the damper (C) to the range hood (A) on all four sides with duct tape.

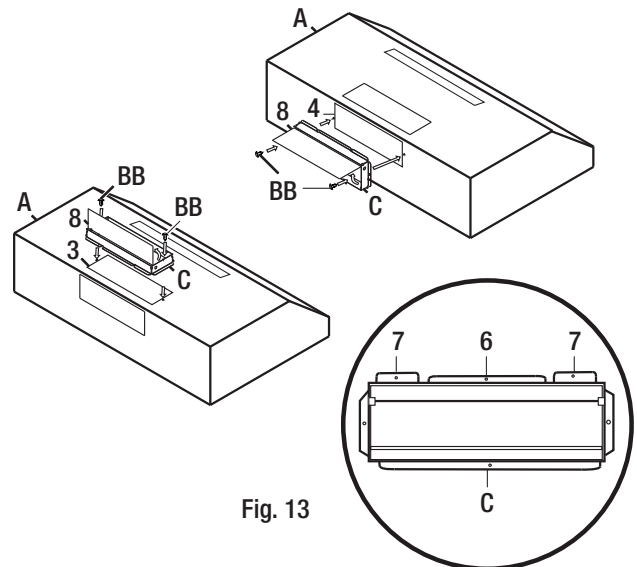


Fig. 13

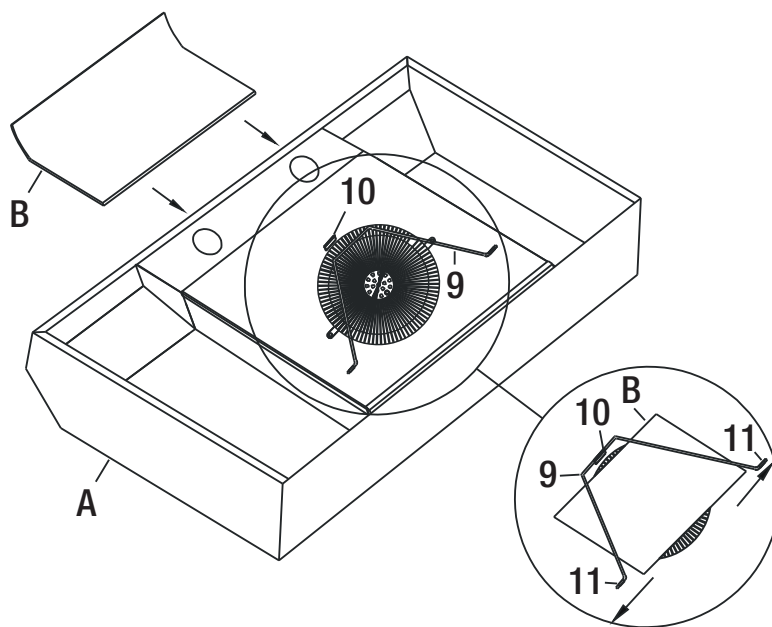
Installation (continued)

INSTALLING THE CHARCOAL FILTER (SKIP THIS STEP IF YOU ARE USING EXTERIOR VENTING)

NOTE:

The charcoal filter should only be installed if you are not using an external venting system.

- Turn over the range hood (A) and place its top on a protective surface.
- Unhook the charcoal filter support (9) from the support hook (10) and pull the charcoal filter support up.
- Place the charcoal filter (B) under the charcoal filter support (9). Ensure that the filter is placed horizontally, or the charcoal filter support (9) will not close properly.
- Slide the charcoal filter support (9) to the left or right in its braces (11) until you can re-hook it on its support hook (10).



Installation (continued)

INSTALLING THE RANGE HOOD

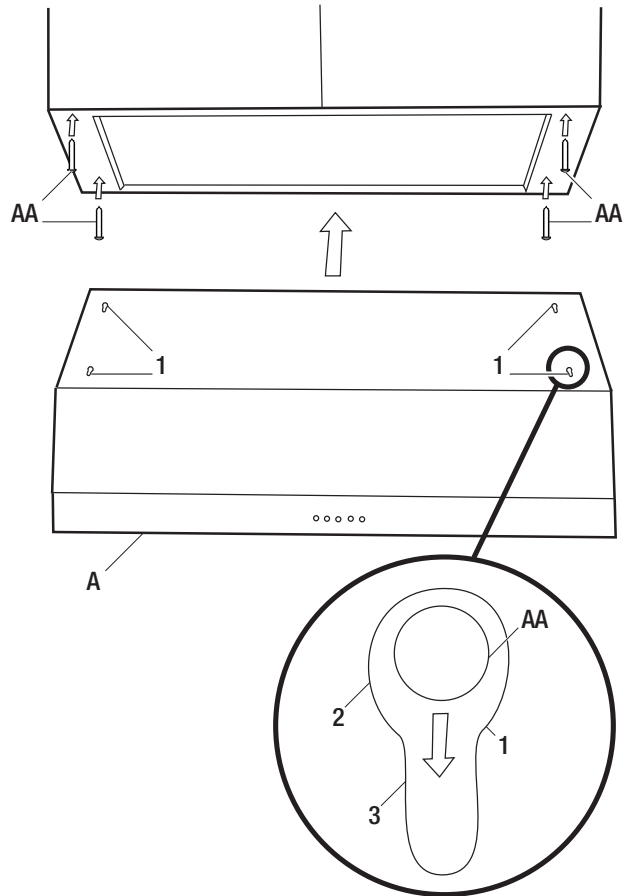


DANGER: Turn off the power circuit breaker or the power switch on the junction box before installing this unit. Touching circuitry inside the range hood while it is energized will result in death or serious injury.



DANGER: If installing this unit over a gas range, turn off the gas at the source before installing or servicing this unit.

- Lift the range hood (A) up under the cabinet to determine its final position. Mark the location of the four keyhole mounting slots (1) on the underside of the cabinet.
- Set the range hood (A) aside on a protective surface.
- Drill four pilot holes in the locations that you marked.
- Screw the four long tapping screws (AA) into the pilot holes. Do not tighten the screws all the way – leave the screw heads about 7 mm (0.28 in) from the cabinet surface.
- Lift the range hood (A) into position, feeding the power cable and the electrical wires through the power access opening. Allow some slack in the cable and wires so that the appliance can be moved if servicing is ever necessary.
- Position the range hood (A) so the large end (2) of the keyhole mounting slots (1) are over the screws (AA). Then push the range hood (A) toward the wall so the screws (AA) are in the neck (3) of the keyhole slots. Tighten the screws (AA). Ensure that the range hood (A) is securely fastened to the cabinet before releasing it.
- If applicable, test the damper blade to ensure it rotates up and down freely.
- If applicable, connect the duct work to the range hood (A). Seal the joints with duct tape to ensure an airtight fit.



FINAL STEP

- Reconnect the power supply cable and wires to the electrical supply. Turn the power on and ensure that the lights and fan are operating correctly.

Operation

NOTE:

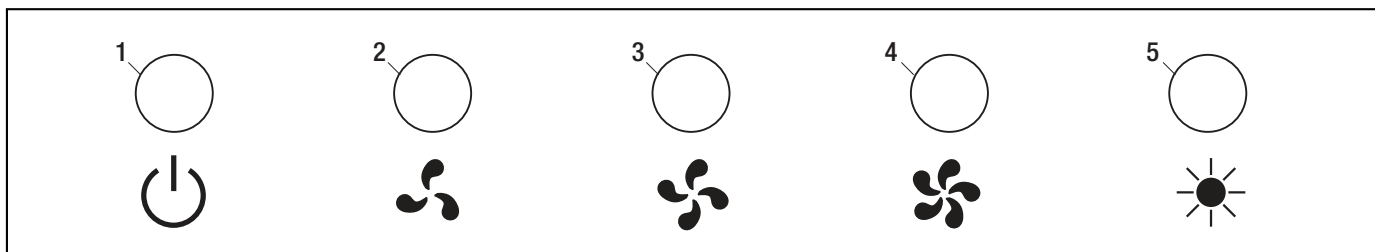
The fan and lights operate independently of each other.

TURNING ON/OFF THE UNIT

- To turn on the fan, press the appropriate speed control switch [Low Speed (2), Medium Speed (3), High Speed (4)] to select the desired level of power. Once a button is pressed, the previous speed mode will be cancelled.
- Press the power switch (1) to turn off the fan.

TURNING ON/OFF THE LIGHTS

- Press the light switch (5) to turn on and off the lights.



REPLACING FILTERS

When filters need replacing, exchange with similar. Also replace filters that are damaged with punctures, bends, or broken frames.

- Turn off the range hood and disconnect the power.
- Replace with an equivalent filter, then reconnect the power.



DANGER: Turn off the power circuit breaker or the power switch on the junction box before performing maintenance. Touching circuitry inside the range hood while it is energized will result in death or serious injury.



WARNING: Failure to replace worn out or damaged filters will increase the risk of fire.

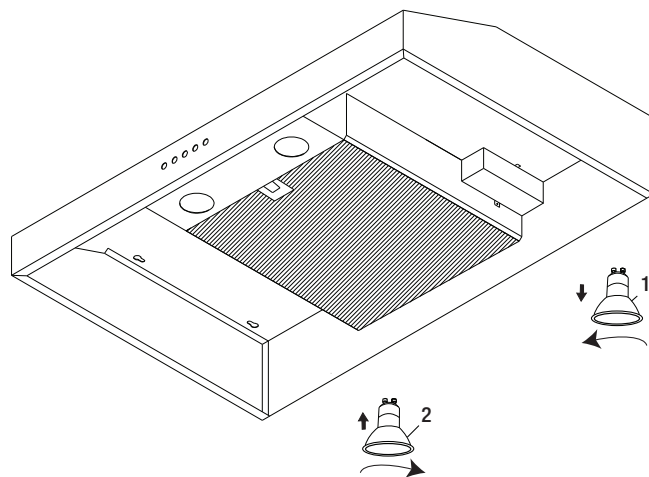
REPLACING LIGHT BULBS

When light bulbs burn out, replace them with a 5W/300 Lumen LED light or 25W - 35W/JDR 16, GU10 twist and lock base light bulb.

- Turn off the range hood, disconnect it from its power source, and ensure that the lights are cool.
- Turn the bulb (1) counter-clockwise and pull it out to remove it.
- Push in the new bulb (2) and turn it clockwise. Do not release the bulb until you are sure the bulb has been securely installed. Then reconnect the power.
- If new bulbs do not operate, ensure that they are inserted correctly.



WARNING: Light bulbs can become hot when turned on. Do not touch bulbs until they are switched off and cooled. Touching hot bulbs could cause serious burns.



Care and Cleaning

RANGE HOOD



WARNING: Failure to maintain basic standards of care and cleaning of the range hood will increase the risk of fire.

The range hood should be cleaned (regularly internally and externally) to preserve its appearance and performance.

Do:

- Always clean in the direction of the grain (original polish lines).
- Clean the range hood periodically with hot, soapy water and a clean cotton cloth.
- Always rinse well with clean water two or three times after cleaning. Wipe completely dry with a soft non-abrasive cloth.
- After cleaning, you may polish with a non-abrasive stainless steel polish or cleaner. Always rub lightly and with the grain
- Ensure that the venting system is free of debris, if you have one.

Do Not:

- Do not use corrosive or abrasive detergents, steel wool, or scouring pads. These will scratch and damage the stainless steel surface.
- Do not use any products containing chloride, fluoride, iodide, or bromide on this product, as they will deteriorate the surface rapidly.
- Do not allow cleaning compounds, salt solutions, disinfectants, or bleaches to remain in contact with the product for extended periods of time.
- Do not allow any deposits to remain for long periods of time on the range hood. Rinse with water immediately and wipe dry with a clean cloth.
- Do not let plaster dust or any other construction residue enter the hood. During construction or renovation, cover the hood.
- Combustible products used for cleaning such as acetone, alcohol, ether, or benzol are highly explosive and should never be used close to a range or stove.

FILTER

The filter fitted by the factory is intended to filter out residue and grease from cooking. You do not need to replace them on a regular basis, but you should keep them clean.

Do:

- Clean the filter once a month using non-abrasive detergents, either by hand or in the dishwasher. When using a dishwasher, set the dishwasher to a low temperature and a short cycle setting. The filter may become discoloured in a dishwasher, but this does not affect its performance.
- Allow filters to completely dry before re-installing them in the range hood.

Do Not:

- Do not allow oil to accumulate over more than 80% of the filter surface. Oil accumulations may drip oil onto the range.
- Do not wash charcoal filter. The charcoal filter should be replaced when it is covered in grease and has reached its maximum absorbancy.

Troubleshooting



DANGER: Turn off the power circuit breaker or the power switch on the junction box before performing maintenance. Touching circuitry inside the range hood while it is energized may result in serious injury or death.

ENGLISH

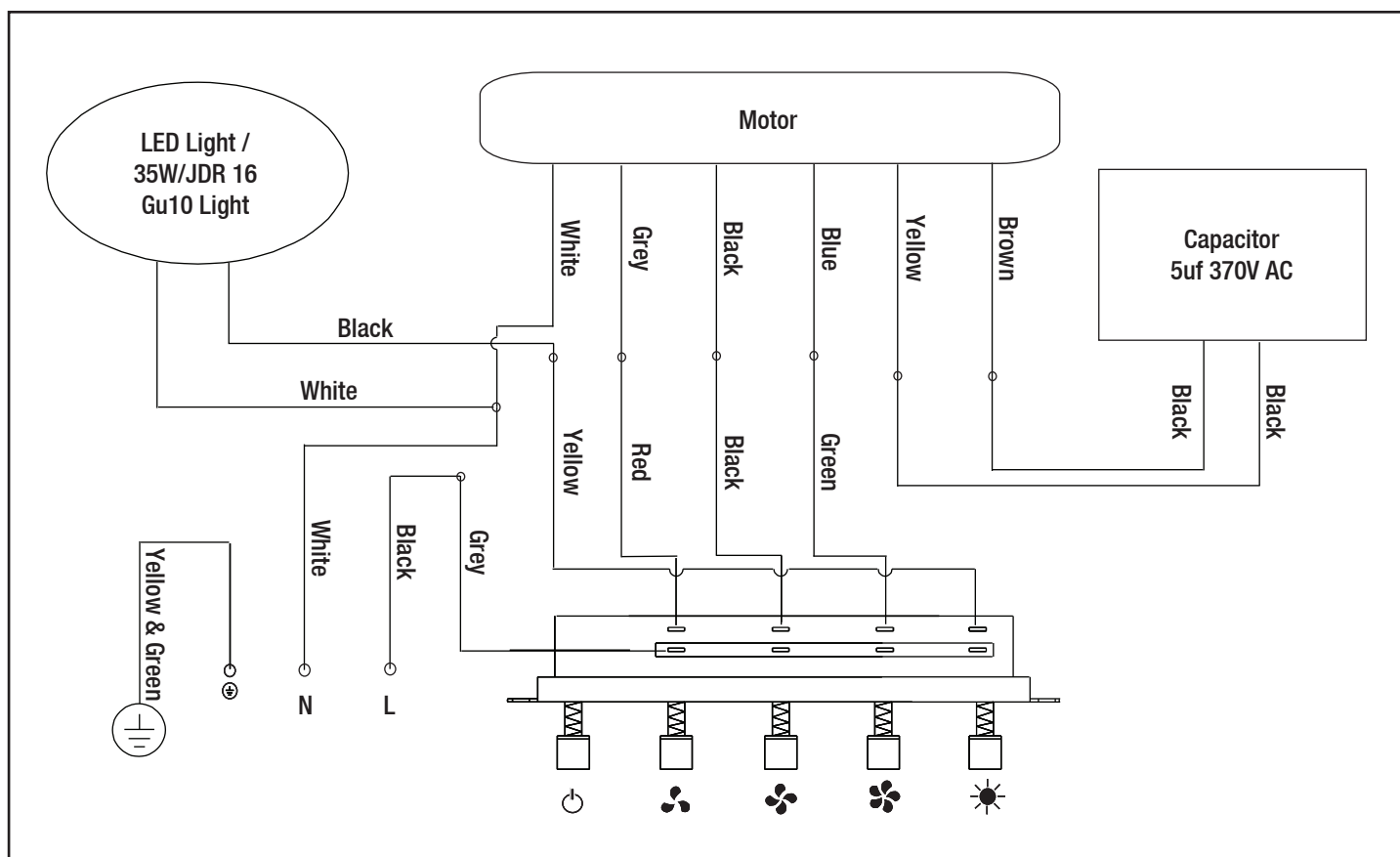
Problem	Solution
The range hood will not operate.	<ul style="list-style-type: none"> - Check that the power supply cable and all electrical wiring are properly connected. - Check that the power is turned on at the junction box or circuit breaker. - Check that the wiring between the switch control and the control board are connected properly.
The range hood vibrates when the fan is operating.	<ul style="list-style-type: none"> - Check that the range hood has been secured properly to the wall. Tighten into position, if necessary. - Check that the motor is secured in place. If not, then tighten the motor in place. - Check that the fan is not damaged. If so, replace the fan.
The fans seem weak.	<ul style="list-style-type: none"> - Check that the duct size used is at least 152 mm (6 in) round. The range hood will not function efficiently with insufficient duct size. - Check that the duct is not clogged with debris and the tight mesh on the wall cap, if applicable, isn't restricting air flow. - Check that the damper unit is opening properly. - Check that no birds or animals have nested in the duct.
The lights work, but the fan is not spinning, is stuck, or is rattling.	<ul style="list-style-type: none"> - The thermal protection system detects if the motor is too hot to operate and shuts the motor down. In this case, the motor will function properly after the thermal protection system cools down (after approximately 10 min). - Check that the fan isn't jammed or scraping the bottom. - If nothing else works, the motor may be defective or seized. If so, replace the motor.
The range hood is not venting properly.	<ul style="list-style-type: none"> - Check that no birds or animals have nested in the duct. - Check that the distance between the cooktop and the bottom of the range hood is between 458 mm (18 in) and 710 mm (28 in). - Check that duct work follows all requirements. Use round metal duct work with a uniform diameter of 152 mm (6 in). The length of duct work must not exceed 35 ft (10.7 m). Reduce the length of duct work and the number of elbows if necessary. Ensure that all joints are properly connected, sealed, and taped. - Check that the duct does not open against the wind. - Ensure that the power is on high speed for heavy cooking. - Close all windows nearest to the range hood to eliminate sudden air gusts. - To enhance the performance of the range hood, open slightly a window on the opposite side of the house where the range hood vents outdoors.
A light does not work.	<ul style="list-style-type: none"> - Check to see if light bulb is burnt. If so, replace. - Check the light bulb to see if it is loose. If so, tighten. - Remove the problem bulb and insert one you know is working. If the properly functioning light does not come on, the problem may be the light assembly. Have the light assembly serviced or replaced.

Specifications

Model	Dimensions	Rating	Control Type	Fan CFM	Speeds	Light Bulb Wattage	Venting Options
QR045	757 mm (29.8 in) W	120~60Hz 1.6A	Push Button	300 ± 10%	High	2 x 5W/300 Lumen LED or 25W-Max.35W JDR 16, GU10 twist and lock base light bulb	Top venting Back venting Recirculating/ Inside venting
	Medium						
	Low						

ENGLISH

WIRING DIAGRAM

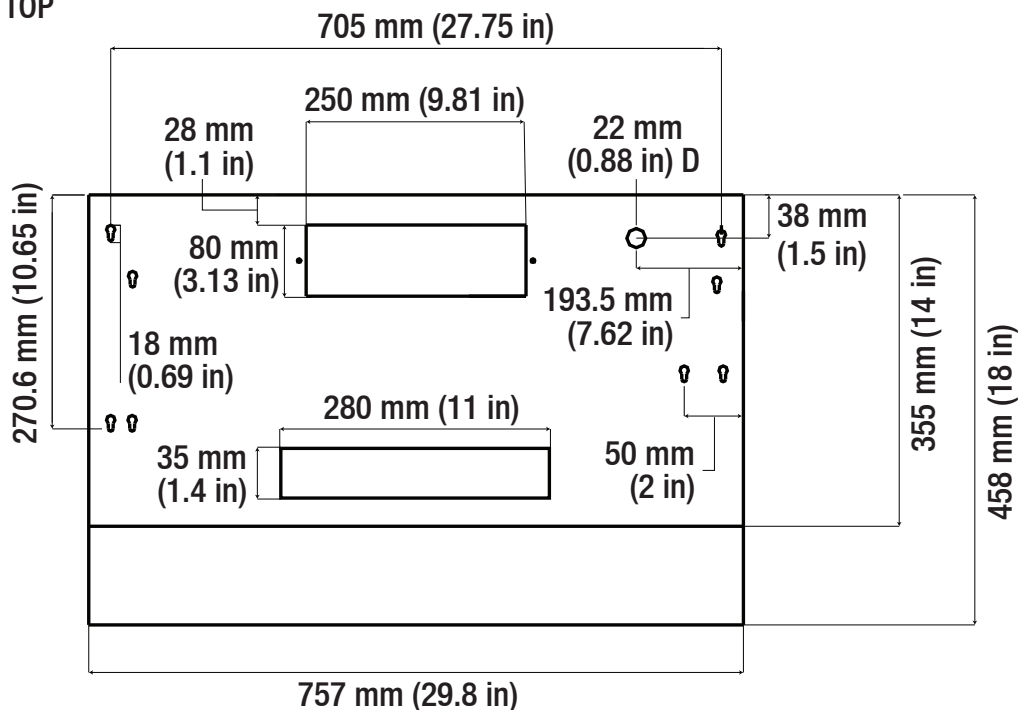


Specifications (continued)

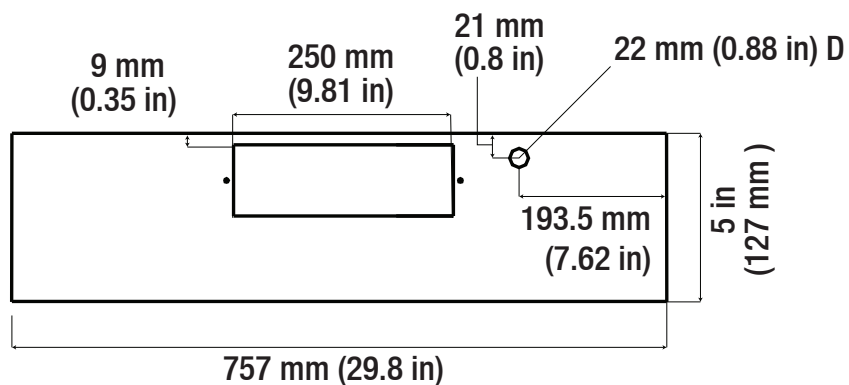
EXTERNAL DIAGRAM OF RANGE HOOD

ENGLISH

TOP

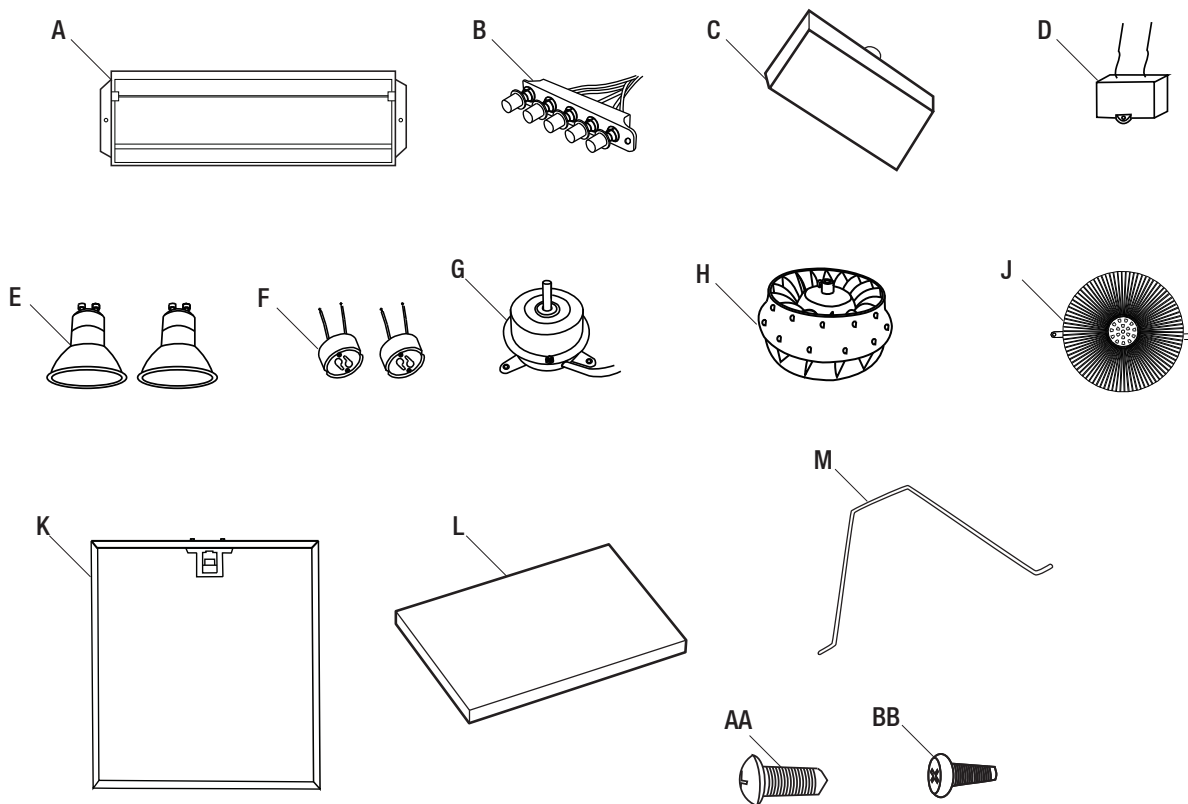


BOTTOM



Service Parts

If you are missing parts or if you require replacement parts, please contact our customer service team at customer.service@conglomkb.com or 1-877-333-0098 (8:30 am – 5 pm, EST, Monday–Friday). Identify the required part(s) and have the part number(s) ready.



Part	Description	Code	Quantity
A	Damper	QHR130	1
B	Control Switch	QHR106	1
C	Wiring Box	QHR138	1
D	Capacitor	QHR100	1
E	5W/300 Lumen LED Lights	QHR181	2
F	Light Base	QHR123	2
G	Motor 120V, 60Hz, 1.1A	QHR126	1
H	Fan	QHR108	1
J	Fan Guard	QHR110	1
K	Aluminum Filter	QHR115	1
L	Charcoal Filter	QHR119	1
M	Charcoal Filter Support	QHR120	1
AA	Long Tapping Screws (M5 x 12 mm)	QHR139	4
BB	Tapping Screws (M4 x 8 mm)	QHR132	2

Índice

OWNER'S MANUAL	2
Índice	20
Información de seguridad	20
Garantía	
Un año de garantía limitada.	22
Procedimiento de reclamación de garantía.	22
Preinstalación	
Herramientas / Materiales necesarios.	23
Contenido del paquete.	24
Accesorios incluidos.	24
Planificación de la instalación.	25
Instalación	28

Funcionamiento	31
Mantenimiento	
Reemplazo de los filtros	32
Cambio de bombillas	32
Cuidado y limpieza	
Campana extractora.	33
Filtros.	33
Solución de problemas.	34
Especificaciones	
Diagrama de cableado.	35
Diagrama exterior de la campana extractora	36
Refacciones	37

Información de seguridad

LEA Y GUARDE ESTAS INSTRUCCIONES

Advertencia: Para reducir el riesgo de incendio, descarga eléctrica o lesiones a las personas, tenga en cuenta lo siguiente:

1. Use esta unidad únicamente de la manera que fue diseñada por el fabricante. Si tiene alguna pregunta, póngase en contacto con el fabricante.
2. Antes de prestar servicio a la unidad o limpiarla, apague el suministro eléctrico en el panel de servicio y bloquee el medio de desconexión del servicio para evitar el encendido accidental del equipo. Cuando el medio de desconexión del servicio no se puede bloquear, adhiera de manera segura un dispositivo visible de advertencia al panel de servicio, tal como un rótulo.
3. El trabajo de instalación y el cableado eléctrico deberá ser realizado por personas calificadas de acuerdo con todos los códigos y normas aplicables, lo que incluye una construcción calificada a prueba de incendio.
4. Se necesita una cantidad suficiente de aire para lograr una correcta combustión y escape de los gases a través del conducto de humos (chimenea) de los equipos que queman combustible para evitar el contratiraje. Siga las especificaciones del fabricante del equipo de calefacción y las normas de seguridad, como las que publica la Asociación Nacional de Protección contra Incendios (National Fire Protection Association, NFPA) y la Sociedad Estadounidense de Ingenieros de Calefacción, Refrigeración y Aire Acondicionado (American Society for Heating, Refrigeration and Air Conditioning Engineers, ASHRAE), así como las que aparecen en los códigos de las autoridades locales.
5. Al cortar o perforar en una pared o techo, evite dañar el cableado eléctrico u otros materiales ocultos.
6. Los ventiladores con conductos siempre deben tener salida al exterior.



PELIGRO: Apague el disyuntor o el interruptor de alimentación en la caja de derivación antes de instalar o dar servicio a esta unidad. No toque los circuitos que se encuentran dentro de la campana extractora mientras está conectada, pues esto puede ocasionar la muerte o una lesión grave.



PELIGRO: Todos los cables eléctricos deben instalarse, aislarse y conectarse a tierra apropiadamente. Si el aislamiento y la conexión a tierra no son adecuados, existe el riesgo de que se produzca una descarga eléctrica mortal.



PELIGRO: Si se instala esta unidad sobre una estufa de gas, apague la fuente de gas antes de instalar o dar servicio a esta unidad.



ADVERTENCIA: No intente instalar o dar servicio a esta unidad si usted no tiene los conocimientos técnicos o de electricidad necesarios, ya que esto puede ocasionar una lesión personal.



ADVERTENCIA: La unidad tiene bordes afilados. Siempre use guantes de seguridad durante la instalación, limpieza o mantenimiento.



ADVERTENCIA: Siempre deje las parrillas y los filtros de seguridad en su lugar. Sin estos componentes, cuando los ventiladores están en funcionamiento se puede atorar el cabello, los dedos o la ropa suelta.



ADVERTENCIA: Manténgase lejos del ventilador giratorio cuando el motor esté funcionando.



ADVERTENCIA: Mantenga este aparato limpio y libre de grasa y acumulación de residuos en todo momento para evitar incendios.



PRECAUCIÓN: El único uso de este dispositivo debe ser de ventilación. No lo utilice para descargar materiales y vapores peligrosos o explosivos.

Información de seguridad (cont.)

INFORMACIÓN DE SEGURIDAD AL COCINAR

1. Nunca deje la campana de extracción sin supervisión cuando esté funcionando.
2. Nunca cocine sobre llamas abiertas debajo de la campana de extracción.
3. Siempre encienda la campana extractora cuando cocine con fuego alto o cuando cocine alimentos flameados.
4. Si decide colgar la campana con la distancia (D) que aparece a continuación (Fig. 1) de la superficie de la cocina, tenga especial cuidado, ya que cuando está en uso, la superficie de la campana puede estar extremadamente caliente al tacto. Para esta unidad, (D en Fig. 1) es 458 mm - 710 mm (18 pulg. - 28 pulg.). Si elige una instalación de 18 pulg., la temperatura de la superficie de la unidad será elevada si la unidad funciona a alta potencia de cocción durante una cierta cantidad de tiempo.
5. Tenga cuidado al cocinar con aceite o al freír con una freidora. El sobrecalentamiento puede ocasionar que el aceite alcance su punto de ignición y se incendie. El aceite usado se incendia a temperaturas inferiores que el aceite nuevo. Caliente los aceites lentamente fijando el control a una temperatura baja o media.
6. No permita que los líquidos se derramen cuando los hierva, ya que pueden ocasionar humos y derrames grasosos que pueden incendiarse.
7. Para evitar quemaduras o incendios, siempre use el equipo de cocina apropiado para el tamaño de la hornilla o quemador que use.
8. En caso que haya fuego al cocinar, siga las indicaciones que presentamos a continuación:
 - Tenga cuidado para no quemarse.
 - Sofoque las llamas con una tapa que cierre herméticamente, con una lámina para hornear galletas o una bandeja metálica; posteriormente apague el hornillo o quemador. Si las llamas no se apagan de inmediato, evacue y llame a los bomberos.
 - Nunca levante una sartén en llamas.
 - No use agua, trapos de cocina húmedos ni toallas, ya que puede ocasionar una explosión de vapor.
 - Use un extintor únicamente si: (a) es tipo ABC y sabe cómo manejarlo, (b) el fuego es pequeño y está contenido en el área donde comenzó, (c) si el departamento de bomberos ya fue avisado, y (d) puede extinguir el incendio con su espalda orientada hacia a la salida.



ADVERTENCIA: Para reducir el riesgo de incendio, utilice sólo tubos metálicos. Nunca utilice tubos de plástico.



ADVERTENCIA: Para reducir el riesgo de incendio o descarga eléctrica, no use esta campana con ningún dispositivo externo de control de velocidad de estado sólido.



PRECAUCIÓN: El único uso de este dispositivo debe ser de ventilación. No use los ventiladores de la campana extractora para sacar vapores peligrosos o explosivos.



PRECAUCIÓN: Nunca tire cenizas de cigarrillo, sustancias inflamables ni objetos externos en los ventiladores.



PRECAUCIÓN: Se requieren al menos dos personas para mover e instalar la unidad con seguridad. El no levantar adecuadamente la campana extractora podría ocasionar daños en el producto o lesiones personales.

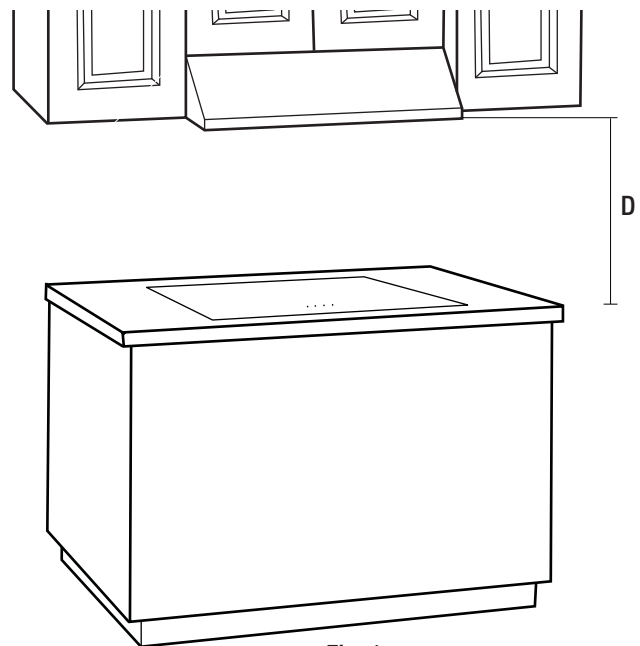


Fig. 1

INFORMACIÓN DE SEGURIDAD PARA LIMPIEZA

1. El ventilador y los filtros deben limpiarse periódicamente y mantenerse libres de acumulación de los residuos generados al cocinar. Los filtros viejos y desgastados deben ser reemplazados de inmediato.
2. Nunca desarme las partes que van a limpiarse. Las partes deben ser desarmadas únicamente por personal calificado.

UN AÑO DE GARANTÍA LIMITADA

Se debe realizar una inspección a conciencia antes de la instalación y debe reportar inmediatamente cualquier daño. No nos hacemos responsables por fallos o daños que pudieran haberse descubierto o evitado con una inspección y pruebas adecuadas antes de la instalación.

Conglom Kitchen & Bath garantiza esta campana extractora contra defectos en materiales y de fabricación durante 1 (un) año a partir de la fecha de compra. Es necesario que el comprador original entregue a Conglom Kitchen & Bath el comprobante de compra (recibo original) para todos los reclamos relacionados con la garantía.

Esta garantía no es transferible y será anulada si la unidad se quita del lugar donde se instaló inicialmente o si no se instala de acuerdo con las instrucciones del fabricante. La garantía no se aplica en caso de daños en el producto debidos al uso de piezas distintas a los repuestos originales de Conglom Kitchen & Bath (las piezas de repuesto se pueden obtener enviando un correo electrónico a customer.service@conglomkb.com o llamando al 1-877-333-0098 entre las 8:30 a. m. y 5:00 p. m. EST) a los errores de instalación, el maltrato, uso indebido y cuidado y mantenimiento inapropiados (sin importar si lo realiza un plomero, contratista, proveedor de servicios o familiar del comprador). La garantía no incluye los daños debidos a condiciones agresivas del aire o el agua, limpiadores y / o materiales fuertes o abrasivos.

Bajo ninguna circunstancia seremos responsables de lesiones físicas o daños a la propiedad que resulten de una instalación o uso inapropiados de este producto. No seremos responsables por inconvenientes ocasionados por pérdida de uso de este producto, costos incurridos en mano de obra o materiales, retiro e instalación de unidades de remplazo, ni ningún otro daño incidental o consecuente. Costos relacionados con la obtención de acceso para la reparación o el reemplazo son la responsabilidad del usuario.

Nuestra obligación se limita a la reparación o reemplazo de una unidad (a nuestra discreción) que pueda comprobarse, únicamente al examinarla nosotros, que tiene defectos bajo un uso y servicio normal durante el periodo de garantía.

Cualquier fallo de este producto que no sea identificable como un defecto en materiales o de fabricación no estará cubierto por esta garantía. Estos artículos que no se pueden garantizar incluyen, pero no se limitan a:

- Instalación indebida sin seguir las instrucciones del fabricante.
- Abolladuras y/o rayones ocasionados durante el transporte, el manejo o la instalación.
- Cambio en el color o acabado debido al uso de productos químicos.
- Daños ocasionados por no seguir las pautas de cuidado y limpieza, incluyendo daños ocasionados por el uso de limpiadores abrasivos.
- Alteraciones hechas a la unidad por parte del comprador o instalador.
- Daños ocasionados por golpes accidentales, incendios, inundaciones, congelamiento y por el desgaste normal.
- Dobleces y deformaciones causados por conexiones forzadas, accesorios demasiado apretados y soporte inadecuado durante la instalación.
- Cualquier defecto o daño a las bombillas.

Esta garantía no cubre el uso o la instalación comercial ni institucional.

PROCEDIMIENTO DE RECLAMACIÓN DE GARANTÍA

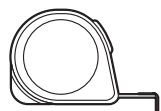
Si ocurre un defecto por el que se pueda presentar una reclamación o si se necesitan repuestos, póngase en contacto con nuestro equipo de servicio al cliente escribiendo a customer.service@conglomkb.com o llamando al teléfono 1-877-333-0098 (de lunes a viernes, de 8:30 a. m. a 5:00 p. m., EST).

Antes de llamar para presentar una reclamación, asegúrese de tener a la mano:

- El número o la descripción del modelo.
- El comprobante de compra.
- Los detalles del defecto y o el número de pieza.
- Nombre(s) y domicilio(s) del propietario y el instalador.

Preinstalación

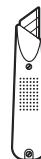
HERRAMIENTAS / MATERIALES NECESARIOS (NO INCLUIDOS)



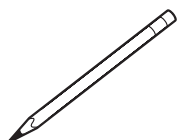
Cinta métrica



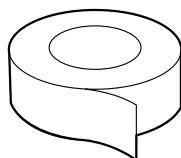
Nivel



Navaja



Marcador o lápiz



Cinta adhesiva



Llave inglesa



Destornillador de estrella (Phillips)



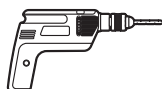
Destornillador plano



Pinzas de punta



Martillo



Taladro eléctrico o destornillador eléctrico



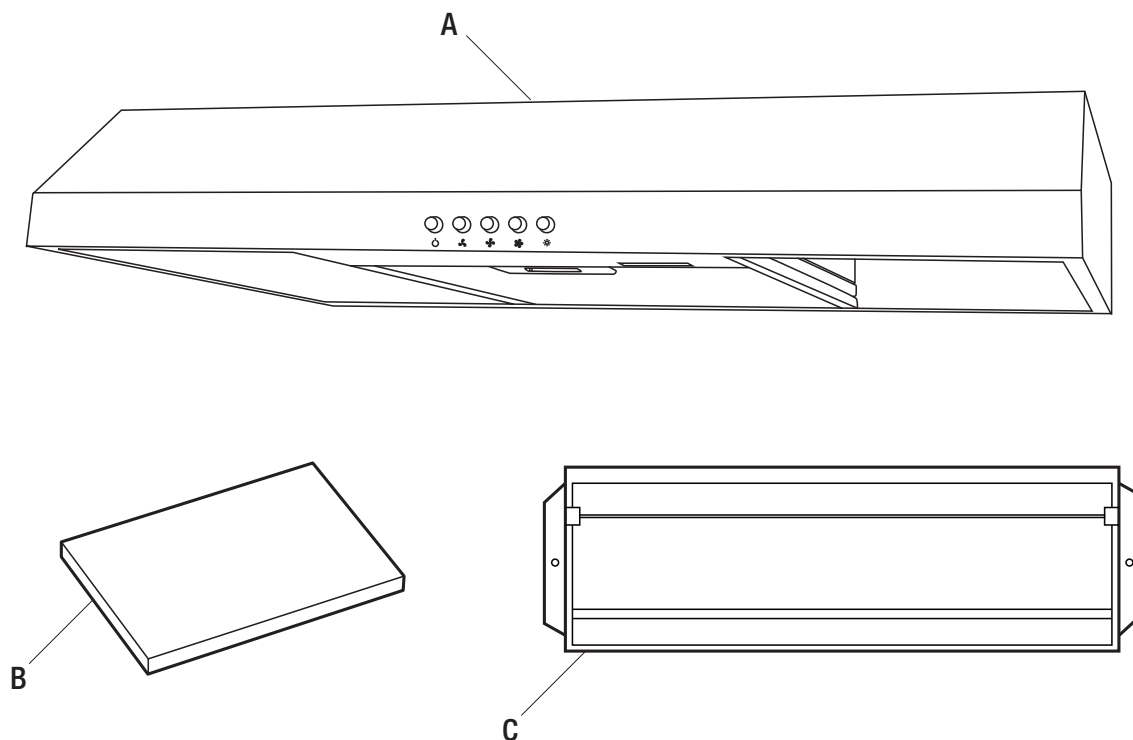
Gafas de seguridad



Guantes de seguridad

Preinstalación (continuación)

CONTENIDO DEL PAQUETE



Pieza	Descripción	Cantidad
A	Campana	1
B	Filtro de carbón	1
C	Regulador	1

ACCESORIOS INCLUIDOS

NOTA:

Las piezas no se muestran en su tamaño real.



AA



BB

Part	Description	Quantity
AA	Tornillo autorroscante largo - (M5 mm x 12 mm)	4
BB	Tornillo autorroscante corto - (M4 mm x 8 mm)	2

Preinstalación (continuación)

PLANIFICACIÓN DE LA INSTALACIÓN

Número de personas necesarias: 2 o más

Verifique cuidadosamente que la campana de extracción no tenga daños y que falten partes antes de la instalación. Si hay algún daño o faltan partes, no prosiga con la instalación. Reporte de inmediato los daños y las partes faltantes. No deseche el empaque antes de que esté satisfecho con su nueva campana de extracción.

1. Antes de comenzar la instalación, mida todas las distancias para asegurarse de la posición adecuada de la campana extractora (A).

- La distancia (1) desde la superficie de cocinado hasta la campana debe ser de al menos 458 mm (18 pulgadas). Para un mejor desempeño, no instale la campana de extracción a más de 710 mm (28 pulgadas) por encima de la superficie de cocinado.
- La dimensión (2) debe ser de al menos 762 mm (30 pulgadas). La campana debe ser de aproximadamente el mismo tamaño que la superficie de cocinado.

2. Si la parte inferior de la alacena (3) situada encima del lugar donde se instalará la campana extractora está hueca, sujete tiras de relleno de madera del tamaño apropiado (4) en cada lado usando tornillos para madera.

3. Se proporcionan tornillos para asegurar la campana extractora a la mayoría de tipos de alacenas, pero consulte a un instalador calificado para verificar que los tornillos suministrados son los correctos para sus alacenas.

4. Coloque una protección gruesa sobre su cubierta, parrillas y estufa, para evitar que se dañen o se empolven durante la instalación. Retire cualquier objeto peligroso alrededor del área.



ADVERTENCIA: Siempre use gafas y guantes de seguridad durante la instalación.

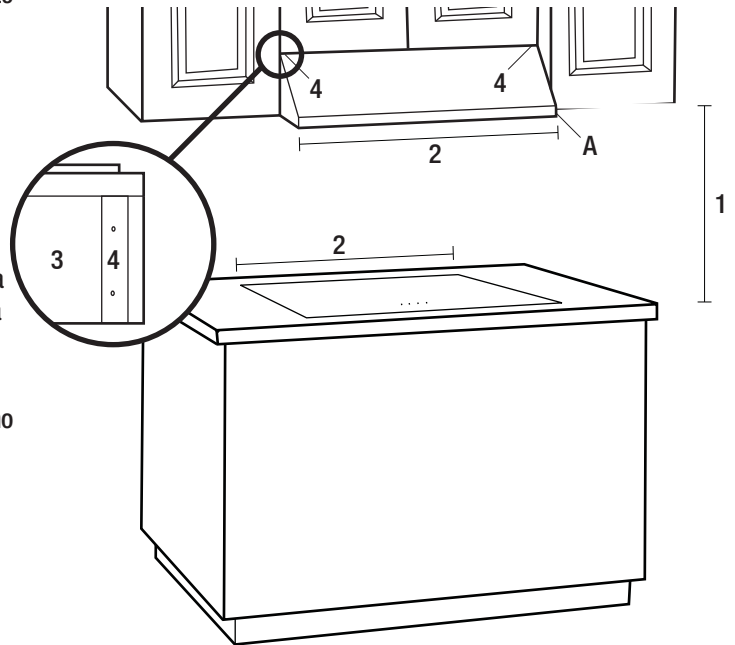


Fig. 2

OPCIONES DE VENTILACIÓN:

- Determine si su sistema de ventilación existente es de ventilación superior o posterior, y asegúrese de que las aberturas en la alacena o en la pared para el regulador y para la alimentación eléctrica estén en un lugar adecuado y que sean del tamaño apropiado, de acuerdo con la Fig. 3 si es ventilación superior, y con la Fig. 4 si es ventilación posterior.
- Si es una nueva instalación, escoja el método de ventilación que se adecue a sus necesidades. Corte las aberturas para el regulador y el acceso de la alimentación eléctrica en la parte inferior o en la pared exterior de la alacena, dependiendo de la dirección escogida para la ventilación.

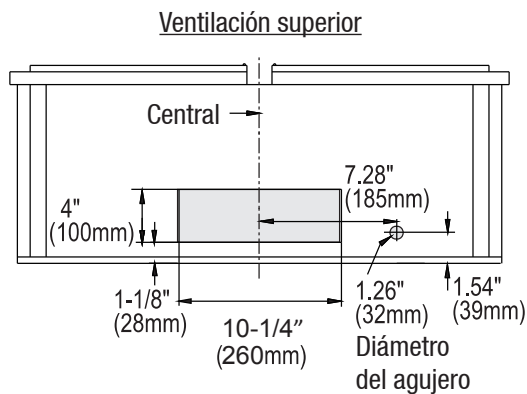


Fig.3

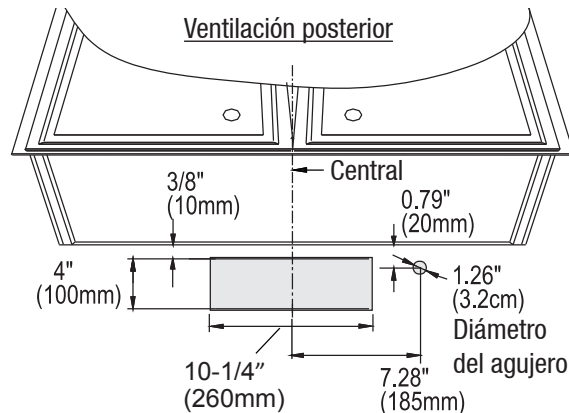


Fig.4

Preinstalación (continuación)

SIGA ESTAS PAUTAS CUANDO INSTALE LOS TUBOS:

- Su sistema de ventilación debe sacar el aire hacia el exterior, ya sea horizontalmente a través de la pared trasera (13) o verticalmente a través del tejado (14) (consulte las figuras 5, 6 y 7).
- Utilice tubo metálico redondo con un diámetro uniforme de 152 mm (6 pulgadas). La extensión total de los tubos en el sistema de ventilación no debe superar los 10.7 m (35 pies).
- Calcule la longitud efectiva de los tubos sumando las longitudes en la tabla que se muestra a continuación (Fig. 9). Por cada accesorio que utilice, sume la longitud del tubo recto utilizado en el sistema.
- Apriete todas las conexiones de los tubos con tornillos para lámina metálica y aplique cinta para tubos a todas las juntas.
- Si fuera indispensable que los tubos dieran la vuelta con codos, mantenga el número de codos al mínimo para que el desempeño sea efectivo, y no use más de tres codos de 90°. Asegúrese de que haya un mínimo de 458 mm (18 pulgadas) de tubo recto entre cada codo. Utilices los codos tan lejos como sea posible de la apertura de escape de la campana de extracción.
- Coloque una tapa en el tubo exterior con una tapa para pared (15) o una tapa para tejado (16). Nunca use tapas para pared tipo lavandería de 102 mm (4 pulgadas). Utilice masilla a prueba de agua para sellar la apertura exterior de la pared o el tejado alrededor de la tapa.
- El sistema de ventilación debe tener un regulador. Si la tapa del techo o la pared tienen un regulador, no use el regulador suministrado con la campana extractora.

Ventilación horizontal a través de la pared

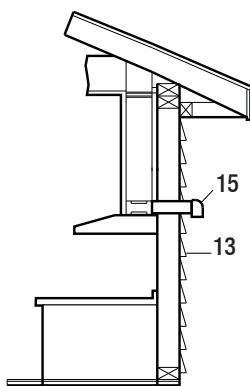


Fig.5

Ventilación horizontal a través de la pared

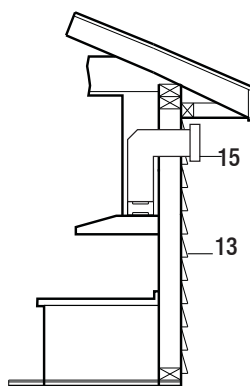


Fig. 6

Ventilación vertical a través del tejado

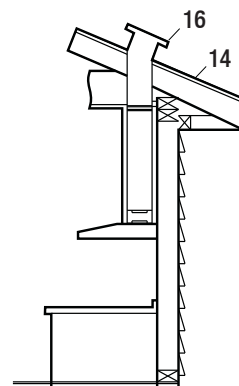


Fig. 7

Para un sistema de descarga interior (en que el aire no se expulsa al exterior), consulte la Fig. 8.

Por favor, consulte la sección Instalación. Se desmontará la cubierta de la placa superior y se descargará el aire a través del filtro de carbón, saliendo por 17.

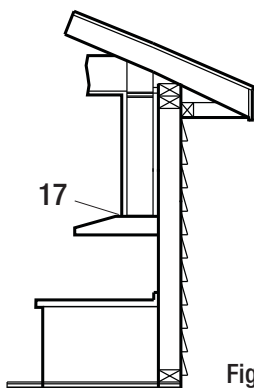


Fig. 8

Gráfica de longitud equivalente

Tipo de tubo	Longitud que debe sumarse
Codo de 45°	3 pies (0.91 m)
Codo de 90°	1.52 m (5 pies)
Codo plano de 90°	3.66 m (12 pies)
Tubo recto de 2.74 m (9 pies)	2.74 m (9 pies)
Tapa de pared	0 m (0 pies)

Fig. 9

Preinstalación (continuación)

REQUISITOS DE CONEXIÓN DE LOS CABLES

El trabajo de instalación y el cableado eléctrico deberán realizarlos personas calificadas de acuerdo con todos los códigos y normas aplicables, lo cual incluye una instalación contra incendios.

CUMPLA CON TODOS LOS CÓDIGOS Y NORMAS VIGENTES

- Este extractor de aire requiere una conexión eléctrica a tierra. Consulte a un electricista calificado si no está seguro de que el extractor de aire esté correctamente conectado a tierra.
- Si no se siguen los requisitos eléctricos, se podría producir un incendio.
- Un fusible en el circuito neutro o de conexión a tierra podría provocar una descarga eléctrica.
- Si la tubería de agua caliente/fría está interrumpida por juntas plásticas no metálicas o por otros materiales, NO la utilice para la conexión a tierra.
- NO CONECTE A TIERRA CON UNA TUBERÍA DE GAS.

IMPORTANTE: Es responsabilidad del cliente comunicarse con un instalador eléctrico calificado y asegurarse de que la instalación eléctrica sea adecuada y cumpla con el Código Eléctrico Nacional, o con las normas de la CSA y todos los demás códigos y normas locales.

1. Guarde las instrucciones de instalación para que las use el inspector eléctrico.
2. Si los códigos lo permiten y se utiliza un cable separado de conexión a tierra, se recomienda que un electricista calificado determine si el camino de conexión a tierra es el adecuado.
3. NO utilice un cable de extensión ni un enchufe adaptador con este aparato.
4. El extractor de aire debe conectarse únicamente con cables de cobre.
5. El extractor de aire deberá conectarse directamente a la caja de derivación (o al disyuntor) por medio de cables de cobre flexibles, blindados o recubiertos con un material no metálico. Deje un poco suelto el cable para poder mover el aparato en caso de que sea necesario darle servicio en algún momento.
6. Deberá proporcionarse un conector de conductor listado por UL o aprobado por CSA en cada extremo del cable de suministro eléctrico (en el extractor de aire y en la caja de derivación).
7. Al hacer la conexión eléctrica, corte un orificio de 3.2 cm (1-1/4 pulg.) en la pared. Un orificio cortado en la madera deberá lijarse hasta que quede liso. Un orificio a través del metal deberá tener un ojal.
8. Al cortar o perforar en la pared o el techo, no dañe el cableado eléctrico ni ningún material oculto.
9. El tamaño del cable debe cumplir con todos los códigos y normas locales. Los requerimientos de la última edición del Código Eléctrico Nacional (National Electrical Code) ANSI/NFPA 70 o la última edición de las normas de la CSA C22.1-94, o el Código Eléctrico Canadiense (Canadian Electrical Code) Parte 1 y C22.2 N.º 0-M91.



PELIGRO: Riesgo de descarga eléctrica. Esta campana extractora debe estar correctamente conectada.



PELIGRO: Apague el disyuntor de alimentación o el interruptor de alimentación que se encuentran en la caja de derivación antes de instalar esta unidad. No toque los circuitos que se encuentran dentro de la campana extractora mientras está conectada, pues esto puede ocasionar la muerte o una lesión grave.

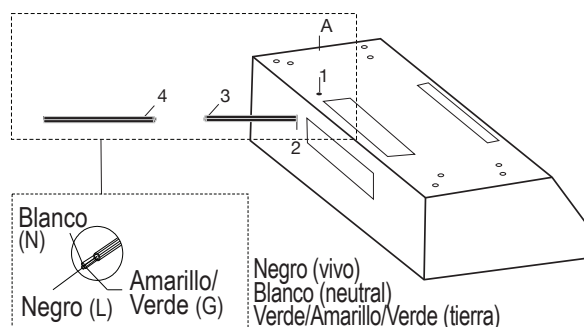


PELIGRO: Todos los cables eléctricos deben instalarse, aislarse y conectarse a tierra apropiadamente. Si el aislamiento y la conexión a tierra no son adecuados, existe el riesgo de que se produzca una descarga eléctrica mortal.

NOTA:

Conecte provisionalmente los cables de la campana extractora para comprobar si funciona correctamente. Si la campana extractora no funciona correctamente, no continúe con la instalación.

- Use el cable de alimentación eléctrica para conectar la campana de extracción (A) directamente a la caja de derivación o la caja de disyuntores. Use únicamente un cable flexible, reforzado o cable de cobre con funda no metálica. Nunca utilice un cable de extensión o un enchufe adaptador.
- Conecte un conector conductor listado por UL o aprobado por CSA a cada extremo del cable de alimentación eléctrica (en la campana extractora y en la caja de derivación). Conecte los tres cables de color (3) de la campana de extracción (A) a los cables correspondientes (4) de la fuente eléctrica: negro a negro (vivo), blanco a blanco (neutral) y verde/amarillo a verde/amarillo (tierra). Utilice ya sea el orificio superior (1) o el orificio posterior (2) de la campana de extracción dependiendo de su tipo de instalación.
- Encienda la alimentación y asegúrese de que todas las luces y el ventilador funcionen correctamente.
- Una vez que haya probado la conexión eléctrica, desconecte el cable de alimentación eléctrica y los cables de la fuente eléctrica antes de proceder con el resto de la instalación.



Instalación

ORIFICIO PREPERFORADO PARA LA ALIMENTACIÓN ELÉCTRICA



ADVERTENCIA: Siempre use gafas y guantes de seguridad durante la instalación.

- Escoja el orificio eléctrico preperforado apropiado a ser retirado para su tipo de instalación. Utilice el orificio superior (1) si el suministro eléctrico está en la alacena, y el orificio posterior (2) si el suministro eléctrico está en la pared que se encuentra debajo de la alacena (consulte la Fig. 10).
- Utilice un martillo y un destornillador plano para retirar con suavidad el orificio eléctrico preperforado.

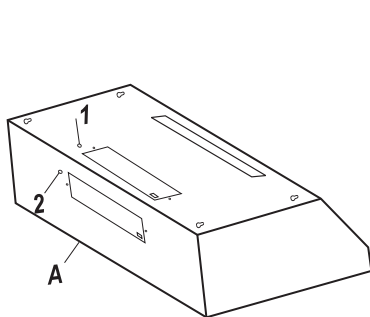


Fig. 10

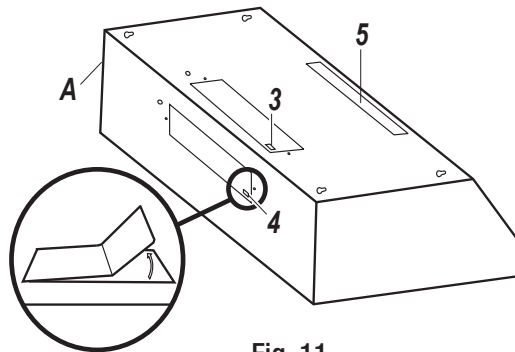


Fig. 11

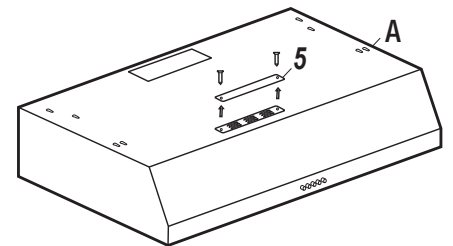


Fig. 12

ORIFICIO PARA VENTILACIÓN

- Escoja el orificio de ventilación para su tipo de instalación. Utilice el orificio superior (3) para una instalación de ventilación por la parte superior y el orificio posterior (4) para una instalación de ventilación por la parte posterior
- retire con cuidado la tapa (3 o 4) del orificio de ventilación adecuado utilizando un destornillador plano o pinzas de punta de aguja (consulte la Fig. 11). Tenga cuidado de no dejar restos dentro de la campana extractora (A).
- Si está utilizando ventilación interior, retire los 2 tornillos que sujetan la tapa (5) y retire la tapa de acuerdo con la figura 12. **NO RETIRE NINGUNA OTRA TAPA DE LOS ORIFICIOS DE VENTILACIÓN.**

INSTALACIÓN DEL REGULADOR (OMITA ESTE PASO SI ESTÁ UTILIZANDO VENTILACIÓN INTERIOR)

NOTA:

Sólo instale el regulador si usted usa un sistema de ventilación que no tenga ya un regulador. Si va a usar el filtro de carbón activado para una instalación sin ducto o si su sistema de ventilación ya tiene un regulador, omita este paso.

Si esta campana reemplaza a una unidad existente, la ubicación de la salida de aire puede variar de un fabricante a otro. Asegúrese de que el regulador embone en la abertura existente antes de instalarlo.

- Escoja instalar el regulador (C) ya sea en la posición superior (3) para ventilación superior o en la posición posterior (4) para ventilación posterior.
- Inserte el regulador (C) en el orificio escogido en la campana extractora (A), asegurándose de que la lengüeta central (6) se introduzca en el orificio mientras que las dos lengüetas laterales (7) permanecen por encima del mismo.
- Levante la tapadera (8) del regulador y atornille el regulador (C) en la campana extractora (A) con los dos tornillos autorroscantes cortos (BB).
- Selle el regulador (C) y la campana de extracción (A) en los cuatro lados con cinta para tubos.

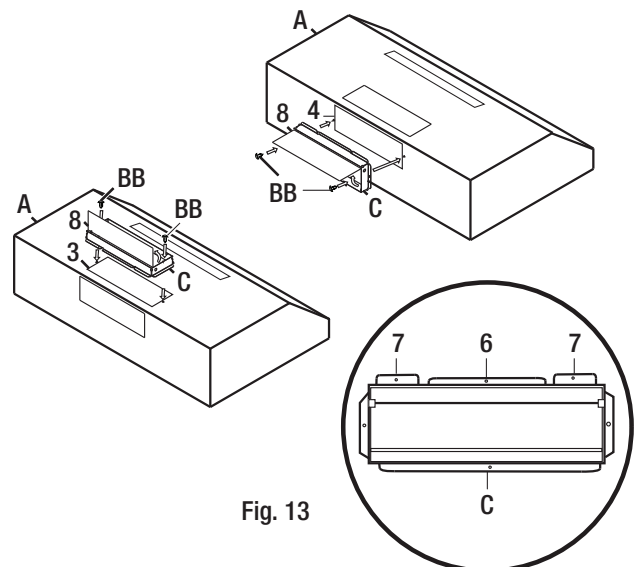


Fig. 13

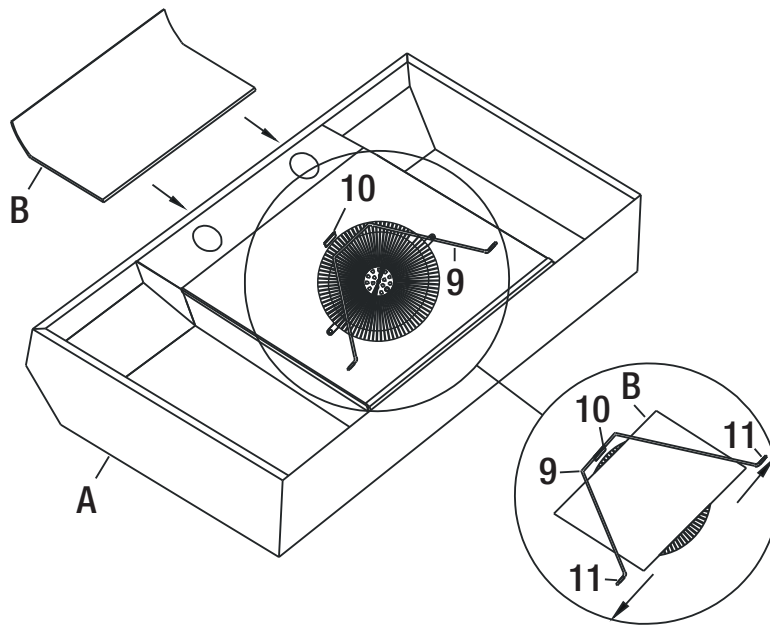
Instalación (continuación)

INSTALACIÓN DEL FILTRO DE CARBÓN (OMITA ESTE PASO SI ESTÁ UTILIZANDO VENTILACIÓN EXTERIOR)

NOTA:

El filtro de carbón activado sólo debe instalarse si no se utiliza ningún sistema de ventilación.

- Voltee la campana extractora (A) y colóquela con la parte superior sobre una superficie protectora.
- Desenganche el soporte del filtro de carbón activado (9) del gancho de soporte (10) y jale hacia arriba el soporte del filtro de carbón activado.
- Coloque el filtro de carbón activado (B) debajo del soporte del filtro de carbón activado (9). Asegúrese de colocar el filtro horizontalmente, de lo contrario el soporte del filtro de carbón activado (9) no se cerrará correctamente.
- Deslice el soporte del filtro de carbón activado (9) a la izquierda o derecha en sus tirantes (11) hasta que pueda volver a engancharlo en el gancho de su soporte (10).



Instalación (continuación)

INSTALACIÓN DE LA CAMPANA EXTRACTORA

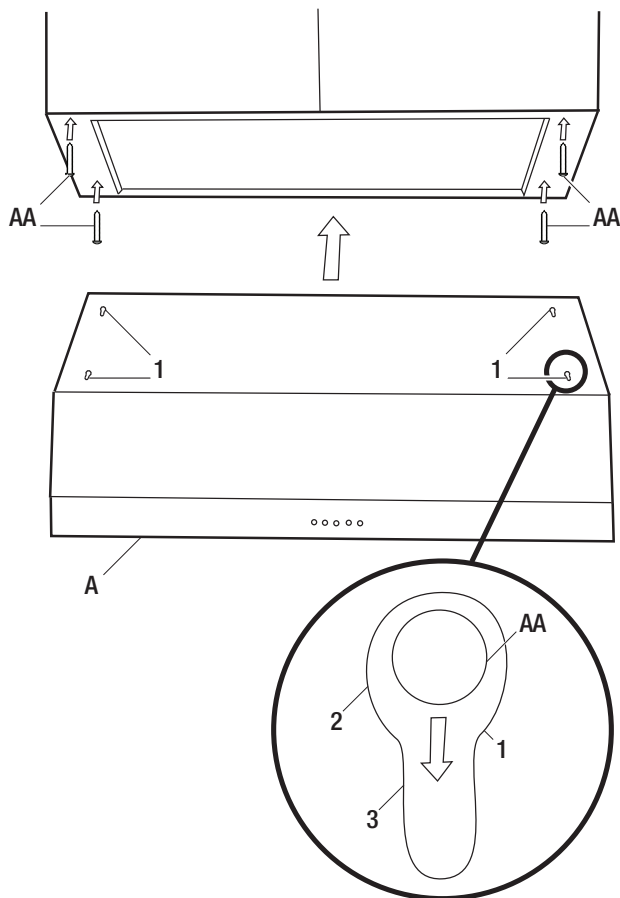


PELIGRO: Apague el disyuntor de alimentación o el interruptor de alimentación que se encuentran en la caja de derivación antes de instalar esta unidad. No toque los circuitos que se encuentran dentro de la campana extractora mientras está conectada, pues esto puede ocasionar la muerte o una lesión grave.



PELIGRO: Si se instala esta unidad sobre una estufa de gas, apague la fuente de gas antes de instalar o dar servicio a esta unidad.

- Levante hacia arriba la campana extractora (A) por debajo de la alacena para determinar su posición final. Marque la ubicación de las cuatro ranuras de montaje tipo cerrojo (1) en la parte de abajo de la alacena.
- Ponga la campana extractora (A) a un lado en una superficie protectora.
- Taladre cuatro orificios piloto en las ubicaciones que marcó.
- Atornille los cuatro tornillos autorroscantes largos (AA) en los orificios piloto. No apriete totalmente los tornillos, deje las cabezas a aproximadamente 7 mm (0.28 pulgadas) de la superficie de la alacena.
- Levante la campana de extracción (A) hasta su posición, introduciendo el cable de alimentación y los cables eléctricos a través de la apertura de acceso de la alimentación eléctrica. Permita que los cables tengan suficiente holgura, de modo que el aparato pueda ser movido si alguna vez fuera necesario realizar labores de mantenimiento.
- Coloque la campana de extracción (A) de modo que el extremo grande (2) de las ranuras de montaje tipo cerrojo (1) estén sobre los tornillos (AA). A continuación, empuje la campana de extracción (A) hacia la pared de modo que los tornillos (AA) estén en el cuello (3) de las ranuras tipo cerrojo. Apriete los tornillos (AA). Asegúrese de que la campana de extracción (A) esté anclada con seguridad a la alacena antes de liberarla.
- En caso necesario, compruebe y asegúrese de que el asa del regulador gira hacia arriba y hacia abajo con libertad.
- En caso necesario, conecte los tubos a la campana de extracción (A). Selle las juntas con cinta para ductos para asegurar un ajuste hermético.



PASO FINAL

- Vuelva a conectar el cable de alimentación y el resto de cables al suministro eléctrico. Encienda la alimentación y asegúrese de que todas las luces y el ventilador funcionen correctamente.

Funcionamiento

NOTA:

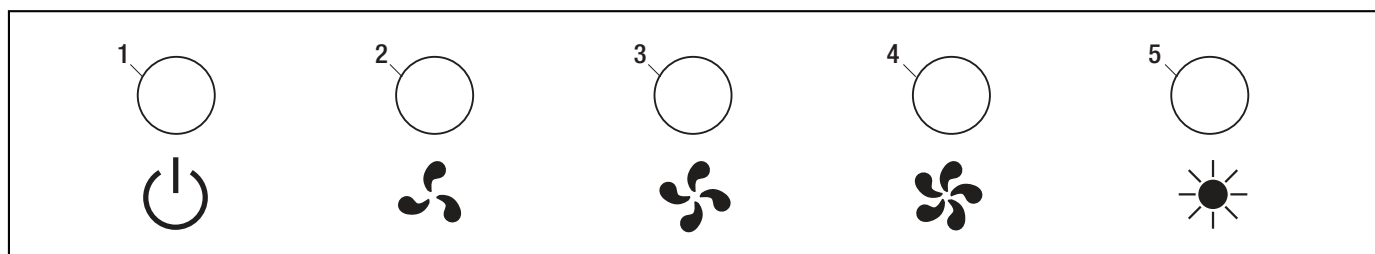
El ventilador y las luces funcionan de forma independiente.

ENCENDIDO Y APAGADO DE LA UNIDAD

- Encienda el ventilador, presione el control de velocidad apropiado [Velocidad baja (2), velocidad media (3) y velocidad alta (4)] para seleccionar el nivel de potencia deseado. Al presionar un botón, se cancela el modo de velocidad anterior.
- Presione el interruptor de encendido (1) para apagar el ventilador.

ENCENDIDO Y APAGADO DE LAS LUCES

- Presione el interruptor de la iluminación (5) para encender y apagar las luces.



REEMPLAZO DE LOS FILTROS

Cuando sea necesario reemplazar los filtros, cámbielos por filtros similares con clips de acero inoxidable. También remplace los filtros o deflectores dañados que estén perforados, doblados o tengan armazones rotos.

- Apague la campana extractora y desconecte la alimentación.
- Sustituya la pieza con un filtro de aluminio o deflector equivalente; posteriormente vuelva a conectar la alimentación eléctrica.



PELIGRO: Desconecte el disyuntor de alimentación o apague interruptor de la caja de derivación antes de realizar el mantenimiento. No toque los circuitos que se encuentran dentro de la campana extractora mientras está conectada, pues esto puede ocasionar la muerte o una lesión grave.



ADVERTENCIA: El no sustituir los filtros gastados o dañados incrementará el riesgo de incendio.

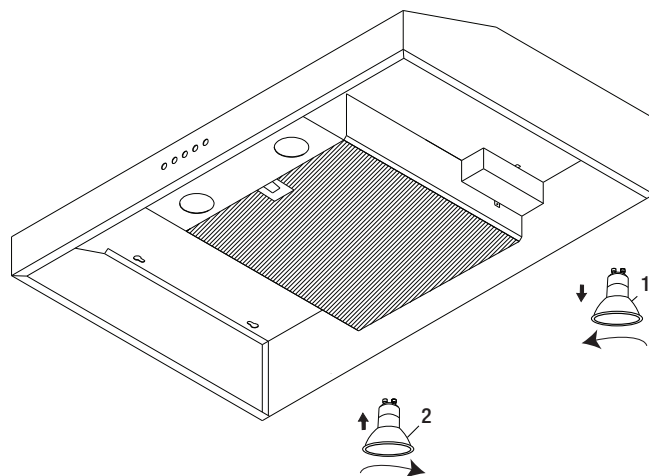
CAMBIO DE BOMBILLAS

Cuando se fundan las bombillas, replácelas con bombillas de 5W/300 Lumen LED o 25W - 35W/JDR 16, GU10, con base de tipo rosca y de bloqueo.

- Apague la campana extractora, desconecte la alimentación y asegúrese de que las luces se hayan enfriado.
- Gire la bombilla (1) en sentido contrario de las manecillas y jale para sacarla.
- Coloque la nueva bombilla (2) empujándola y girándola en sentido de las manecillas del reloj. No suelte la bombilla hasta que esté seguro de que está firmemente instalada. A continuación, vuelva a conectar la alimentación eléctrica.
- Si las nuevas bombillas no funcionan, asegúrese de que esté insertadas correctamente.



ADVERTENCIA: Las bombillas pueden alcanzar temperaturas muy elevadas cuando están encendidas. No toque las bombillas hasta que estén apagadas y se hayan enfriado. Tocar las bombilla calientes puede ocasionar quemaduras graves.



Cuidado y limpieza

CAMPANA EXTRACTORA



ADVERTENCIA: Si no se mantienen los estándares de cuidado y de limpieza básicos de la campana extractora, aumenta el riesgo de incendio.

El interior y el exterior de la campana extractora deben limpiarse regularmente para conservar su apariencia y desempeño.

Qué hacer:

- Siempre limpie en dirección de la veta (líneas de pulido originales).
- Limpie la campana extractora periódicamente con agua caliente jabonosa y un paño de algodón.
- Siempre enjuague bien con agua limpia dos o tres veces después de limpiar. Seque completamente con un paño suave no abrasivo.
- Después de limpiar, puede pulir con una pasta de pulido para acero inoxidable no abrasiva. Siempre frote ligeramente y siguiendo la dirección del acabado.
- Si cuenta con un sistema de ventilación, asegúrese de que esté libre de residuos.

Qué no hacer:

- No use detergentes corrosivos o abrasivos, lana de acero ni almohadillas de restregado, ya que éstas rallarán y dañarán la superficie de acero inoxidable.
- No use ningún producto que contenga cloruro, fluoruro, yoduro ni bromuro en este producto, ya que estos deteriorarán la superficie rápidamente.
- No permita que los productos de limpieza, las soluciones de sal, los desinfectantes o los blanqueadores permanezcan en contacto con el producto durante mucho tiempo.
- No permita que permanezcan depósitos en la campana extractora durante mucho tiempo. Enjuague con agua inmediatamente y seque con un paño limpio.
- No deje que entre en la campana polvo de yeso ni ningún residuo de construcción. Durante una obra de construcción o una renovación, cubra la campana.
- Los productos combustibles utilizados para limpiar, tales como la acetona, el alcohol, el éter o el benzol son altamente explosivos y no deben utilizarse cerca de una estufa o parrilla.

FILTRO

El objetivo del filtro instalado en la fábrica es filtrar los residuos y la grasa que se generan al cocinar. No necesita reemplazarlo periódicamente, sólo es necesario mantenerlo limpio.

Qué hacer:

- Limpie los filtros de aluminio / deflectores una vez al mes usando detergentes no abrasivos, ya sea a mano o en el lavavajillas. Cuando use un lavavajillas, utilice una temperatura baja y un ciclo corto. Este filtro puede desteñirse en un lavavajillas, pero esto no afecta su desempeño.
- Seque los filtros de aluminio / deflectores antes de volverlos a instalar en la campana extractora.

Qué no hacer:

- No permita que el aceite se acumule sobre más del 80% de la superficie del filtro. Las acumulaciones de aceite pueden gotear en la estufa.
- No lave los filtros de carbón. Los filtros de carbón deberán reemplazarse cuando estén cubiertos de grasa y hayan alcanzado su máxima absorción.

Solución de problemas



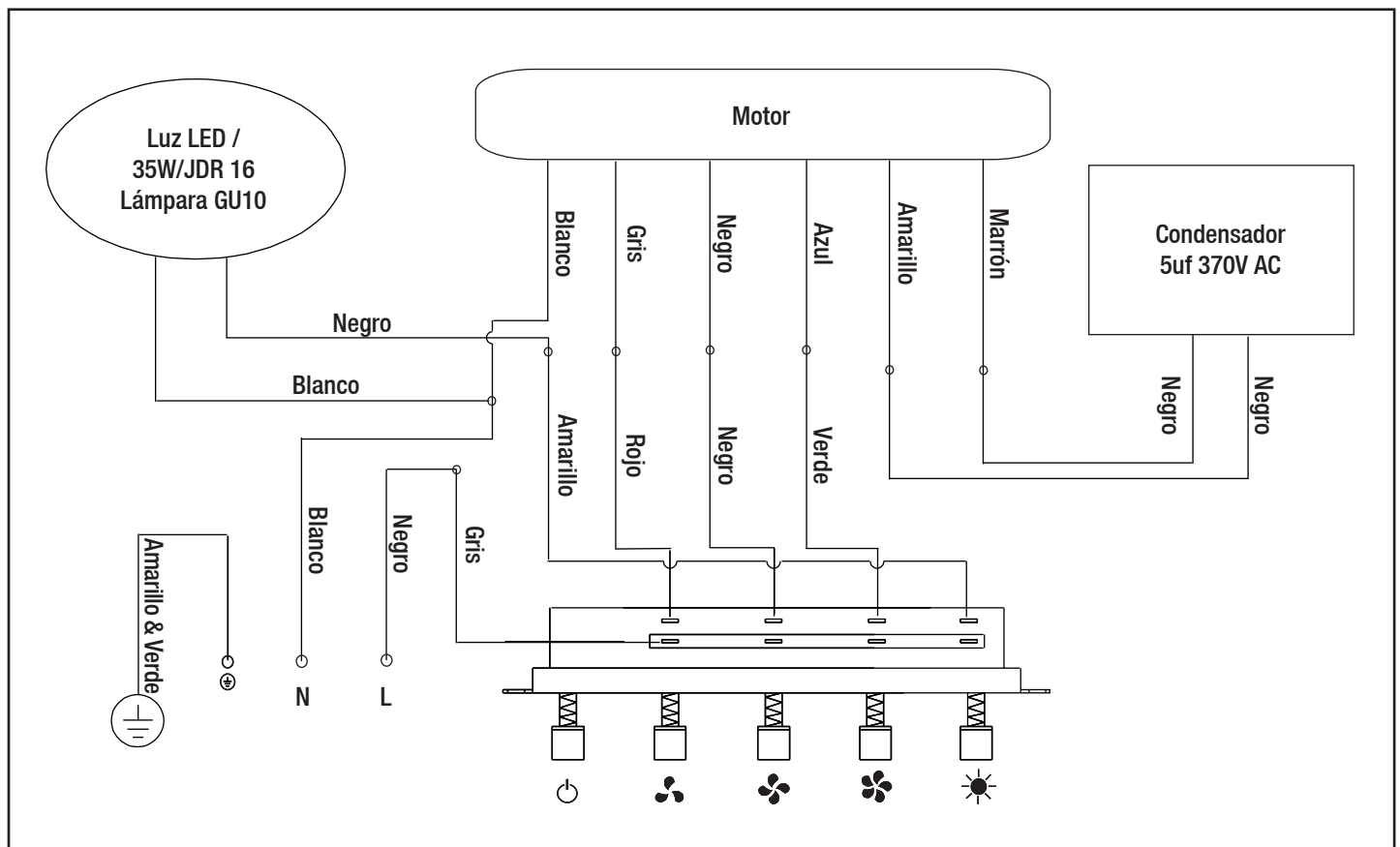
PELIGRO: Desconecte el disyuntor de alimentación o apague interruptor de la caja de derivación antes de realizar el mantenimiento. No toque los circuitos que se encuentran dentro de la campana extractora mientras está conectada, pues esto puede ocasionar la muerte o una lesión grave.

Problem	Solution
La campana extractora no funciona.	<ul style="list-style-type: none"> - Verifique que el cable de alimentación y el cableado eléctrico estén conectados apropiadamente. - Verifique que la corriente está encendida en la caja de derivación o en el disyuntor. - Verifique que el cableado entre el control de interruptores y la tarjeta de control esté conectado adecuadamente.
La campana extractora vibra cuando el ventilador está encendido.	<ul style="list-style-type: none"> - Verifique que la campana extractora esté firmemente sujeta a la pared. Apriete las sujeciones, si es necesario. - Verifique que el motor esté firmemente sujeto. Si no lo está, apriete las sujeciones del motor. - Verifique que el ventilador no esté dañado. Si lo estuviera, sustituya el ventilador.
Los ventiladores parecen débiles.	<ul style="list-style-type: none"> - Verifique que el tamaño de tubo utilizado tenga un perímetro de al menos 152 mm (6 pulgadas) La campana extractora no funcionará eficientemente con un tamaño de ducto insuficiente. - Verifique que el tubo no este bloqueado con residuos y que la fina malla en la tapa de pared, en caso de que la haya, no restrinja el flujo de aire. - Verifique que el regulador se abra adecuadamente. - Verifique que no haya nidos de pájaros u otros animales en el tubo.
Las luces funcionan, pero el ventilador no gira, está trabado o traquetea.	<ul style="list-style-type: none"> - El sistema de protección térmica detecta si el motor está demasiado caliente para operar y lo apaga. En este caso, el motor funcionará correctamente después de que el sistema de protección térmica se enfríe (después de aproximadamente 10 minutos). - Verifique que el ventilador no esté atorado o rozando con la parte inferior. - Si ninguna de estas soluciones funciona, el motor puede estar defectuoso o atorado. Si así fuera, reemplace el motor.
The range hood is not venting properly.	<ul style="list-style-type: none"> - Verifique que no haya nidos de pájaros u otros animales en el tubo. - Verifique que la distancia entre la superficie de cocina y la parte inferior de la campana de extracción sea de entre 458 mm (18 pulgadas) y 710 mm (28 pulgadas). - Verifique que los tubos cumplan con todos los requisitos. Utilice tubo metálico redondo con un diámetro uniforme de 152 mm (6 pulgadas). La longitud de los tubos no debe superar los 10.7 m (35 pies). En caso necesario, reduzca la longitud de los tubos y el número de codos. Asegúrese de que todas las juntas estén conectadas correctamente, selladas y con cinta. - Verifique que el tubo no se abra con el viento. - Asegúrese de que la campana extractora esté encendida a velocidad alta para cocinar alimentos que produzcan mucho humo o vapor. - Cierre todas las ventanas y puertas para eliminar las corrientes de aire provenientes del exterior. - Para mejorar el rendimiento de la campana extractora, abra ligeramente una ventana en el lado opuesto de la casa al lugar en que se encuentre la salida de la campana extractora al exterior.
La luz no funciona.	<ul style="list-style-type: none"> - Revise si la bombilla está fundida. En ese caso, cámbiela. - Revise la bombilla para ver si está floja. Si lo estuviera, apriétela. - Retire la bombilla que tiene el problema y sustitúyala con una que funcione. Si la bombilla que funciona correctamente no se enciende, el problema puede ser de la lámpara. Pida que reparen o sustituyan la lámpara.

Especificaciones

Modelo	Dimensiones	Clasificación	Tipo de control	CFM del ventilador	Velocidades	Vataje de la bombilla	Opciones de ventilación
QR045	757 mm (29.8 pulg.) de ancho	120~60Hz 1.6A	Botones	300 ± 10%	Alta	2 x 5W/300 Lumens LED o 25W - 35W/JDR 16, GU10, con base de tipo rosca y de bloqueo	Ventilación superior Ventilación posterior Recirculación/ Ventilación interior
	Media						
	Baja						

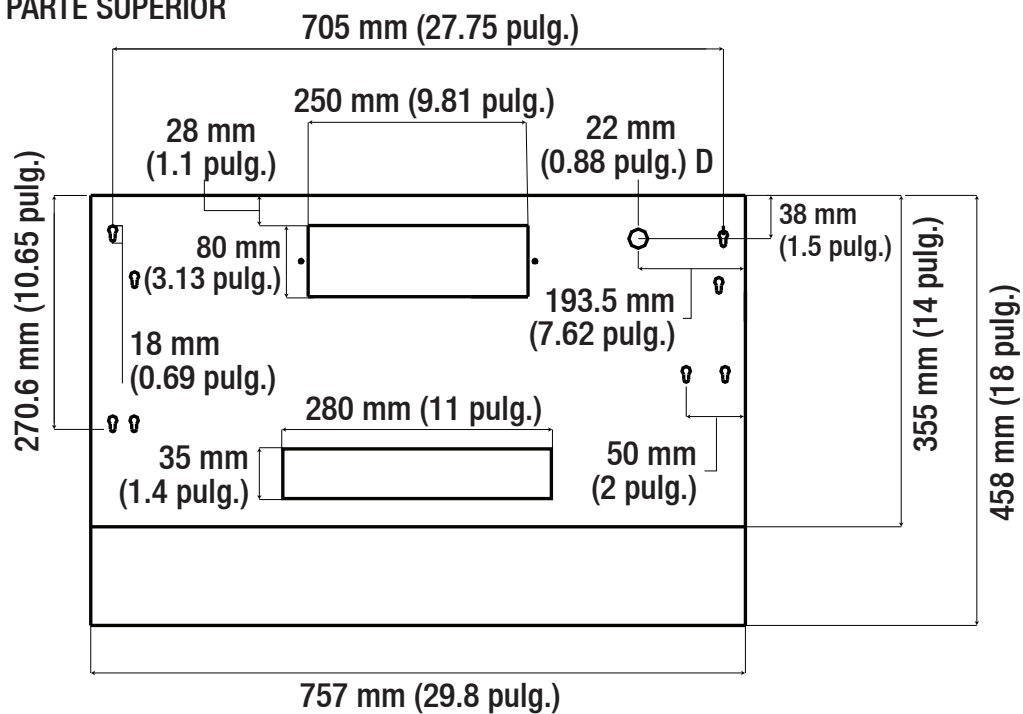
DIAGRAMA DE CABLEADO



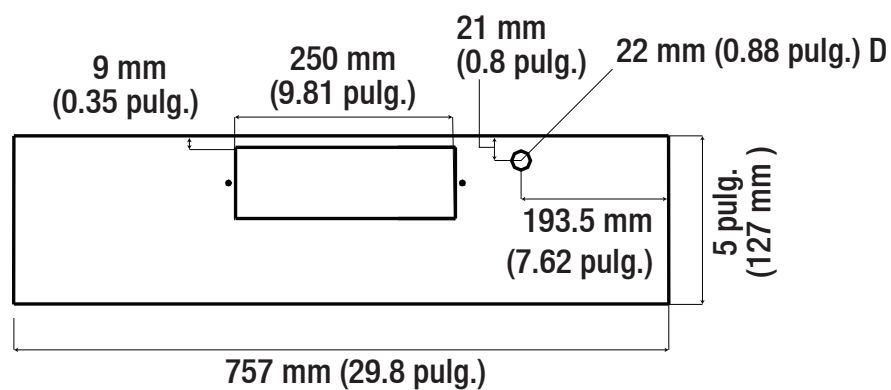
Especificaciones (cont.)

DIAGRAMA EXTERIOR DE LA CAMPANA EXTRACTORA

PARTE SUPERIOR

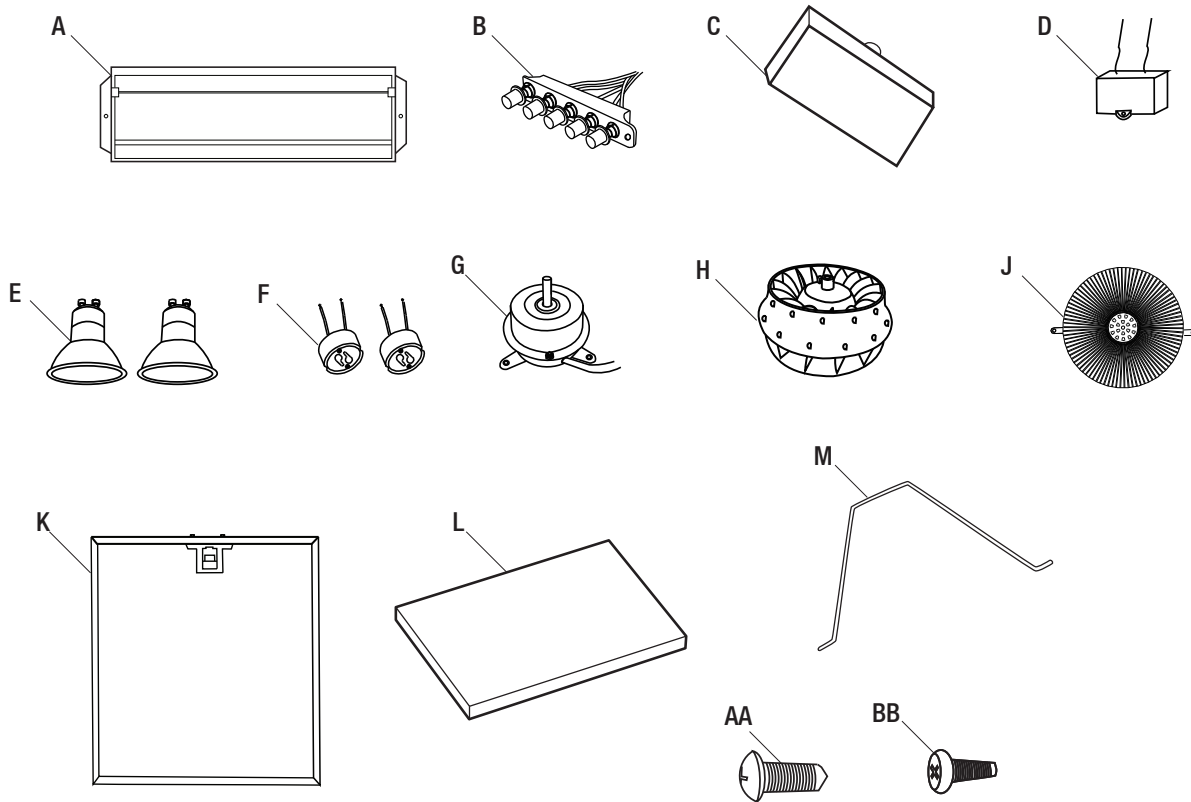


PARTE INFERIOR



Refacciones

Si le faltan piezas o requiere refacciones, escríbale a nuestro equipo de servicio al cliente a customer.service@conglomkb.com o llame al 1-877-333-0098 (de lunes a viernes, de 8:30 a. m. a 5:00 p. m. EST). Identifique la(s) pieza(s) requerida(s) y tenga lista su descripción.



Pieza	Descripción	Código	Cantidad
A	Regulador	QHR130	1
B	Interruptor de controles	QHR106	1
C	Caja de cableado	QHR138	1
D	Condensador	QHR100	1
E	Luz LED 5W/300 Lumen	QHR181	2
F	Base de luz	QHR123	2
G	Motor de 120V, 60Hz, 1.1A	QHR126	1
H	Ventilador	QHR108	1
J	Protección de ventilador	QHR110	1
K	Filtro de aluminio	QHR115	1
L	Filtro de carbón	QHR119	1
M	Soporte del filtro de carbón	QHR120	1
AA	Tornillo autorroscante largo - (M5 x 12 mm)	QHR139	4
BB	Tornillo autorroscante - (M4 x 8 mm)	QHR132	2

Imported by / Importado por:

Conglom
KITCHEN & BATH

St-Laurent, Québec, H4S 2C3

1-877-333-0098 | customer.service@conglomkb.com

(service available in English and French, Monday - Friday from 8:30am - 5pm EST)

(servicio disponible en inglés y francés, de lunes a viernes, de 8:30 am a 5:00 pm, hora del Este)

www.conglomkb.com

Made in China / Hecho en China

