

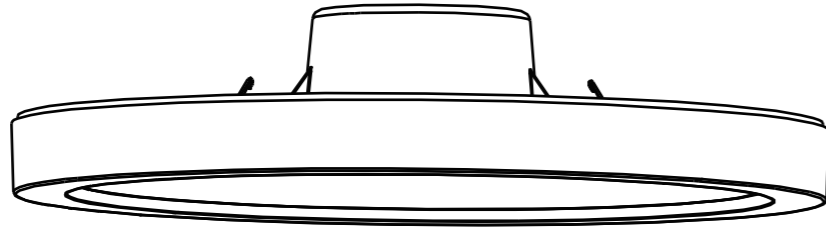


Item# 308339034
MODEL# ND01AGR1-W3081

Item# 308339039
MODEL# ND01AGR1-D3081

USE AND CARE GUIDE

LED FLUSH MOUNT LIGHT



Questions, Problems, missing parts? Before returning to the store call Commercial Electric Customer Service
8 a.m.-7 p.m., EST, Monday-Friday
9 a.m.-6 p.m., EST, Saturday

1-877-527-0313

HOMEDEPOT.COM

THANK YOU

We appreciate the trust and confidence you have placed in Commercial Electric through the purchase of this interior flushmount light. We strive to continually create quality products designed to enhance your home. Visit us online to see our full line of products available for your home improvement needs. Thank you for choosing Commercial Electric!

Safety Information

CAUTION: Risk of fire. Consult a qualified electrician to ensure correct branch circuit conductor. Min 75 °C supply conductors.

CAUTION: This fixture body (A) is one piece. Do not disassemble it.

WARNING: This product must be installed in accordance with the applicable installation code by a person familiar with the construction and operation of the product and the hazards involved.

WARNING: Be sure the electricity to the wires you are working on is shut off. Either remove the fuse or turn off the circuit breaker.

WARNING: Carefully read and understand the information given in this manual before beginning the assembly and installation. Failure to do so could lead to electric shock, fire or other injuries which could be hazardous or even fatal.

WARNING: Changes or modifications to this unit not expressly approved by the party responsible for compliance could void the user's authority to operate the equipment.

NOTE:

This device complies with Part 15 of the FCC Rules. Operation is subject to the following two conditions: (1) This device may not cause harmful interference, and (2) This device must accept any interference received, including the interference that may cause undesired operation. This equipment has been tested and found to comply with the limits for a Class B digital device, pursuant to part 15 of the FCC Rules. These limits are designed to provide reasonable protection against harmful interference in a residential installation. This equipment generates, uses and can radiate radio frequency energy and, if not installed and used in accordance with the instructions, may cause harmful interference to radio communications. However, there is no guarantee that interference will not occur in a particular installation. If this equipment does cause harmful interference to radio or television reception, which can be determined by turning the equipment off and on, the user is encouraged to try to correct the interference by one or more of the following measures:

- Reorient or relocate the receiving antenna.
- Increase the separation between the equipment and receiver.
- Connect the equipment into an outlet on a circuit different from that to which the receiver is connected.
- Consult the dealer or an experienced radio/TV technician for help.

Warranty

WHAT IS COVERED

The manufacturer warrants this lighting fixture to be free from defects in materials and workmanship for a period of five (5) years from date of purchase. This warranty applies only to the original consumer purchaser and only to products used in normal use and service. If this product is found to be defective, the manufacturer's only obligation, and your exclusive remedy, is the repair or replacement of the product at the manufacturer's discretion, provided that the product has not been damaged through misuse, abuse, accident, modifications, alterations, neglect or mishandling.

WHAT IS NOT COVERED

This warranty shall not apply to any product that is found to have been improperly installed, set-up, or used in any way not in accordance with the instructions supplied with the product. This warranty shall not apply to a failure of the product as a result of an accident, misuse, abuse, negligence, alteration, or faulty installation, or any other failure not relating to faulty material or workmanship. This warranty shall not apply to the finish on any portion of the product, such as surface and/or weathering, as this is considered normal wear and tear.

The manufacturer does not warrant and specially disclaims any warranty, whether express or implied, of fitness for a particular purpose, other than the warranty contained herein. The manufacturer specifically disclaims any liability and shall not be liable for any consequential or incidental loss or damage, including but not limited to any labor / expense costs involved in the replacement or repair of said product.

Contact the Customer Service Team at 1-877-527-0313 or visit www.HomeDepot.com

2

HOMEDEPOT.COM
Please contact 1-877-527-0313 for further assistance.

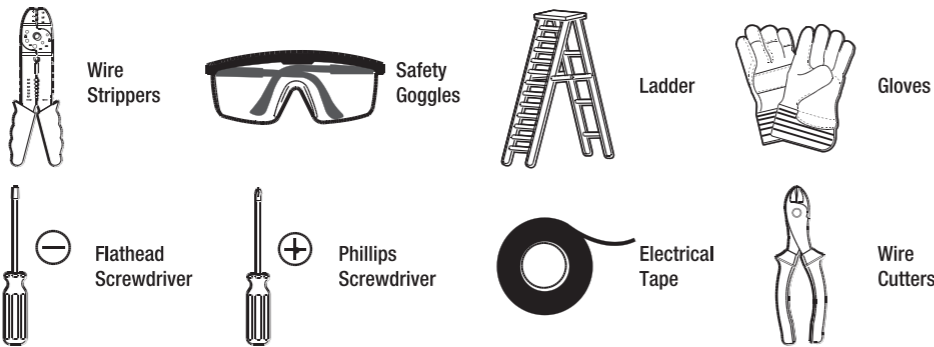
Pre-Installation

PLANNING INSTALLATION

WARNING: Shut off power at the circuit breaker or fuse panel before removing the old fixture.

Read all instructions before assembly. Before starting installation of this fixture or removal of a previous fixture, disconnect the power by turning off the circuit breaker or by removing the fuse at the fuse box. To avoid damaging this product, assemble it on a soft, non-abrasive surface such as carpet or cardboard.

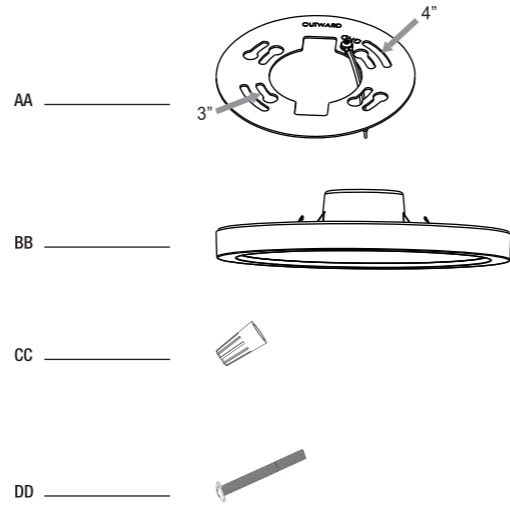
TOOLS REQUIRED



HARDWARE INCLUDED

NOTE: Hardware not shown to actual size.

Part	Description	Quantity
AA	Mounting plate	1
BB	Fixture	1
CC	Wire nut	3
DD	Mounting screw	2



3

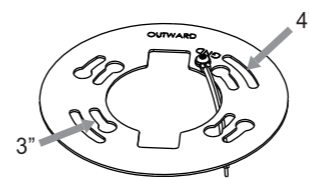
HOMEDEPOT.COM
Please contact 1-877-527-0313 for further assistance.

Installation

Before beginning assembly, installation or operation of product, make sure all parts are present. Compare parts with package contents list on previous page. If any part is missing or damaged, do not attempt to assemble, install or operate the product. Contact customer service for replacement parts.

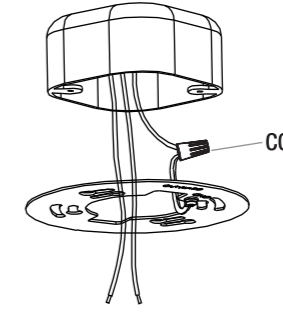
1 Choosing the mounting plate holes

- Choose the mounting plate (AA) holes compatible with the existed junction box.



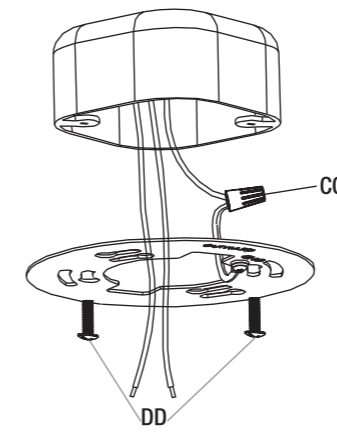
2 Connecting the ground wire

- Connect the green wire (fixed on the mounting plate) with the ground wire from junction box.
- Secure together by using a wire nut (CC).



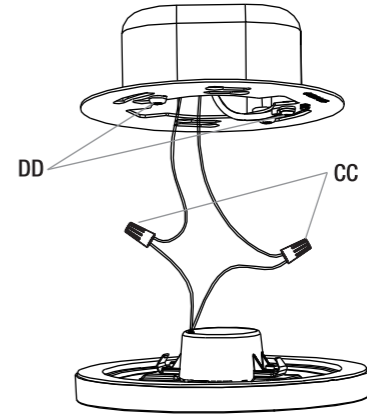
3 Attaching the plate to the junction box

- Align the keyholes in the plate (AA) with the mounting screws (DD).
- Rotate (AA) to securely fit to junction box and tighten screws to secure.



4 Connecting the wires

- Connect the black and white wires of the fixture with 2 wires of the same colors of the junction box.
- Secure together by using wire nuts (CC).



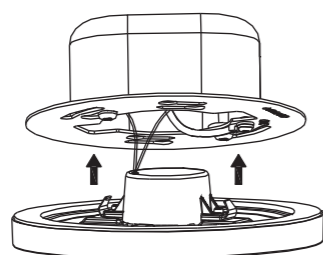
4

HOMEDEPOT.COM
Please contact 1-877-527-0313 for further assistance.

Installation (Continued)

5 Mounting the fixture into the mounting plate

- Mounting the fixture (BB) into the plate (AA) and make sure the fixture is fully secured before releasing.



Maintenance

- Before attempting to clean the fixture, disconnect the power to the fixture by turning the breaker off or removing the fuse from the fuse box.

Care and Cleaning

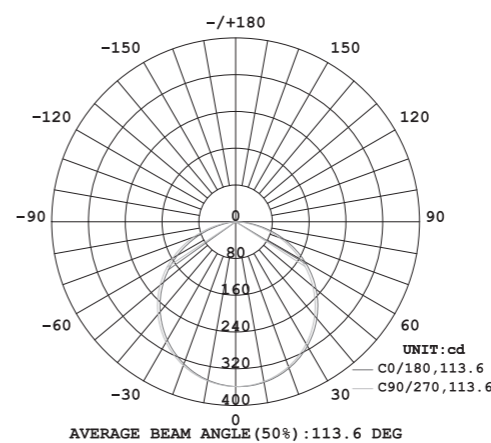
- Clean the fixture with a soft, dry cloth.
- Do not use any cleaners with chemicals, solvents, or harsh abrasives.

5

HOMEDEPOT.COM
Please contact 1-877-527-0313 for further assistance.

Troubleshooting

Problem	Possible Cause	Solution
The fixture will not light.	The power is off.	<input type="checkbox"/> Ensure the power supply is On.
	The circuit breaker is off.	<input type="checkbox"/> Ensure the circuit breaker is in the On position.
The fuse blows or the circuit breaker trips when the light is turned on.	The wires are crossed or the power wire is grounding out.	<input type="checkbox"/> Check the wire connections. <input type="checkbox"/> Contact a qualified electrician or call the Customer Service Team at 1-877-527-0313



Questions, Problems, missing parts? Before returning to the store call Commercial Electric Customer Service
8 a.m.-7 p.m., EST, Monday-Friday
9 a.m.-6 p.m., EST, Saturday

1-877-527-0313

HOMEDEPOT.COM

Retain this manual for future use.

6

HOMEDEPOT.COM
Please contact 1-877-527-0313 for further assistance.