

TROUBLE SHOOTING

PROBLEM	POSSIBLE CAUSE	SOLUTION
Light will not come on.	<p>A. Light switch is turned off.</p> <p>B. Fuse is blown or circuit breaker is turned off.</p> <p>C. Cord not plugged in.</p> <p>D. Cord frayed/worn/faulty.</p>	<p>A. Check if the Power switch on the LED Work Light is set to ON.</p> <p>B. Check if the GFCI has tripped. Check if the 120 Vac circuit breaker has tripped. Reset the GFCI or circuit breaker.</p> <p>C. Plug in cord to 120 Vac source.</p> <p>D. DO NOT USE WORK LIGHT.</p>

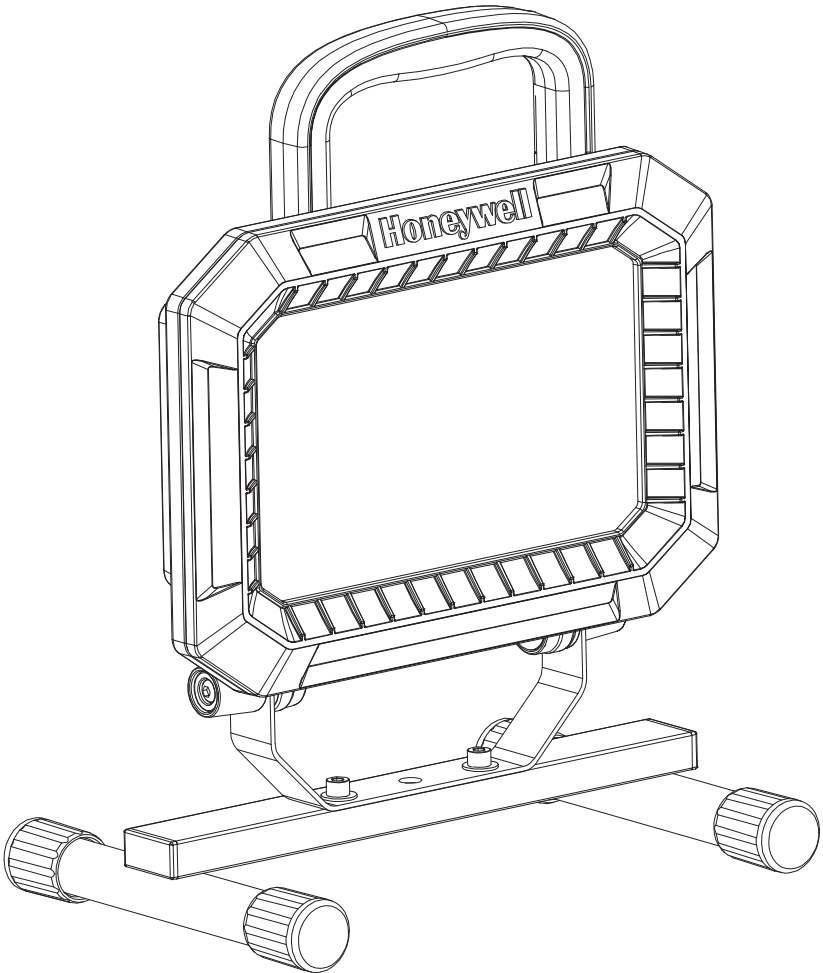
FCC WARNING:

WARNING: Changes or modifications to this unit not expressly approved by the party responsible for compliance could void the user authority to operate the equipment.

NOTES: This equipment has been tested and found to comply with the limits for a Class B digital device, pursuant to Part 15 of the FCC Rules. These limits are designed to provide reasonable protection against harmful interference in a residential installation. This equipment generates, uses and can radiate radio frequency energy and, if not installed and used in accordance with the instructions, may cause harmful interference to radio communications.

However, there is no guarantee that interference will not occur in a particular installation. If this equipment does cause harmful interference to radio or television reception, which can be determined by turning the equipment off and on, the user is encouraged to try to correct the interference by one or more of the following measures:

- Reorient or relocate the receiving antenna.
- Increase the separation between the equipment and receiver.
- Connect the equipment into an outlet on a circuit different from that to which the receiver is connected.
- Consult the dealer or an experienced radio/TV technician for help.



International Development, LLC.
 899 Henrietta Creek Rd. Roanoke, TX 76262 USA
 Toll-free: 1-877-723-0723

© 2016 IDC, all rights reserved.
 The Honeywell Trademark is used under license from Honeywell International Inc.
 Honeywell International Inc. makes no representations or warranties with respect to this product.
 This product is manufactured for International Development, LLC.

**LED PORTABLE WORK LIGHT
 WITH USB CHARGING PORT
 MODEL: WK103501LXXXX
 USE AND CARE GUIDE**

IMPORTANT SAFETY INSTRUCTIONS & POWER ON

READ ALL INSTRUCTIONS

WARNING: Read all safety precautions and installation instructions carefully before installing or servicing this fixture. Failure to comply with these instructions could result in a potentially fatal electric shock, fire, and/or property damage.

- When using outdoor portable work lights, basic safety precautions should always be followed to reduce the risk of fire, electric shock and personal injury.
- Use only a three-wire outdoor extension cord that has a three-prong grounding plug and grounded receptacles that accept the light's plug.
- Ground Fault Circuit Interrupter (GFCI) protection is to be provided on the circuit(s) or outlet(s) to be used for wet location. Receptacles are available having built-in GFCI protection and are able to be used for this measure of safety.
- Use only with an extension cord for outdoor use, such as an extension cord of cord type: SEW, SEOW, SE00W, SOW, SO0W, STW, STOW, ST00W, SJEW, SJEOW, SJE00W, SJW, SJOW, SJO0W, SJTW, SJTOW or SJT00W.
- Do not look directly at the LED Work Light when ON to avoid eye injury.
- Always keep the LED Work Light away from any flammable sources.
- Do not operate the LED Work Light if it has a missing or damaged lens cover.
- DO NOT SUBMERSE.

Save These Instructions

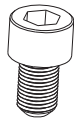
FEATURES

- Rugged Glass Lens
- Suitable for wet location use
- ETL Certified
- Energy Star rated
- Equipment has been tested and found to comply with the limits pursuant to Part 15, Subpart B: 2012 of the FCC Rules. These limits are designed to provide reasonable protection against harmful electrical interference in a residential installation.



ASSEMBLY

HARDWARE INCLUDED



A:
Round Head Screws (2)
M5x12 Hex Socket



B:
Round Head Screws (2)
M6x8 Hex Socket



C:
Metal Washers (2)
6.5 mm

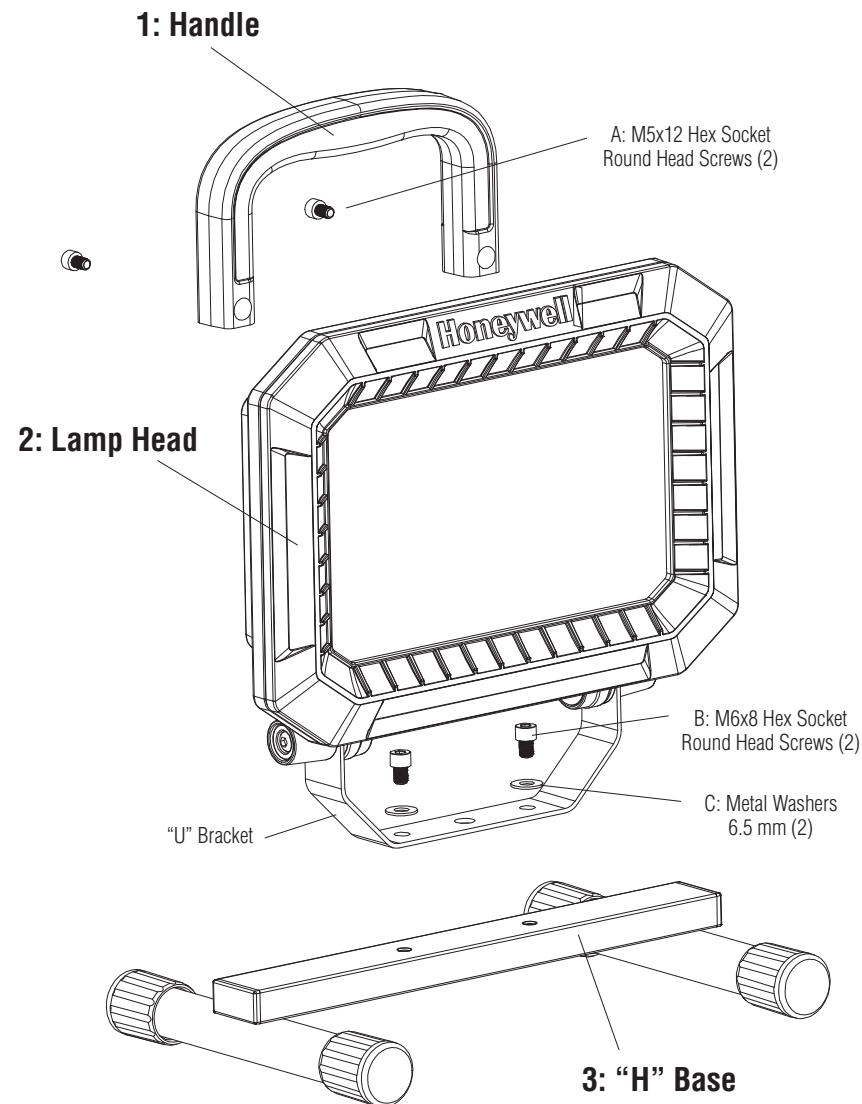
TOOLS REQUIRED



L-Shaped Hex Wrench
4 mm

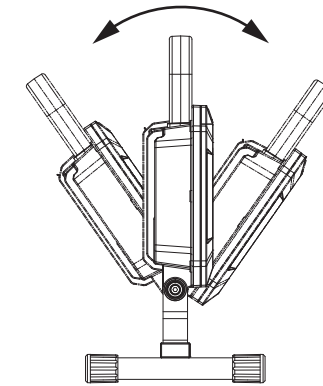
ASSEMBLY

1. Attach Handle (1) to Lamp Head (2), lining up 2 holes on Handle to holes on Lamp Head.
2. Insert screws (A) through the holes.
3. Hand tighten with L-Shaped Hex Wrench (not included). Tighten the screws (A) until secure, but avoid over tightening.
4. Attach Lamp Head (2) to "H" Base (3), lining up 2 holes on "U" Bracket to hole on "H" Base (3).
5. Place metal washers (C) on screws (B).
6. Insert screws (B) through the washers (C), "U" Bracket and the "H" Base (3).
7. Fit the screws (B) into the pre-threaded nuts in the "H" Base.
8. Hand tighten with L-Shaped Hex Wrench. Tighten the screws (B) until secure, but avoid over tightening.



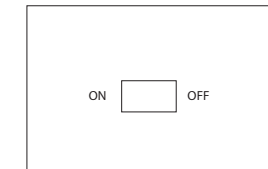
LAMP ANGLE ADJUSTMENT

1. Hold the LED Work Light by the ergonomic grip.
2. Holding the ergonomic grip, push forward or pull backward to adjust the LED Work Light.
3. Leave in desired position.



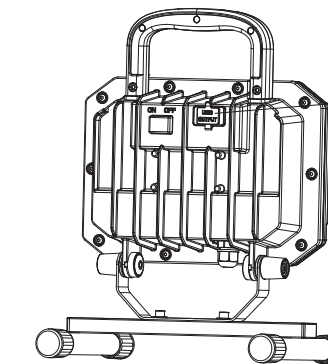
POWERING THE LED

1. Plug the power cord to the 120Vac, 60 Hz outlet.
2. On the back of the LED Work Light, press the toggle switch to the ON position.
3. To turn off the LED Work Light, press the toggle switch to the OFF position.



WARNING: RISK OF ELECTRIC SHOCK - Do not use extension cord near water or where water may accumulate. Keep light at least 16 feet from pools and spas. Keep plugs and receptacles dry. For use only on GFCI protected circuits.

USB CHARGING



- Unit is equipped with a 2A/5V USB charging port to charge a portable electronic device.
- USB will charge device when plugged into outlet regardless if unit is powered ON/OFF.

NOTE: Always put protective cap back over USB port after use to protect from dirt or water.

CLEANING

- Allow the LED Work Light to cool down before cleaning or storing.
- Clean LED Work Light Lens with a non-abrasive cleaner.
- Clean/Wipe down the handle and base with a damp cloth or non-abrasive cleaner.