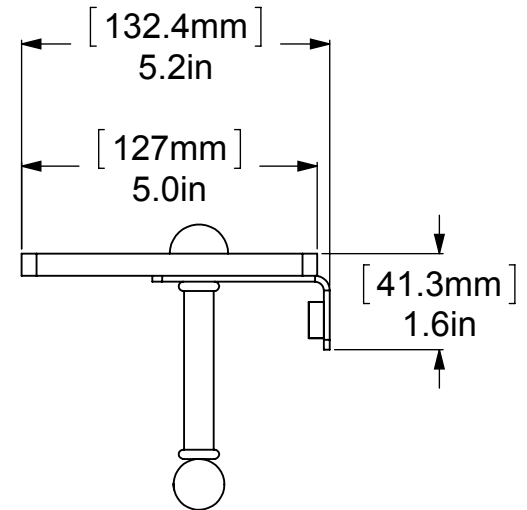
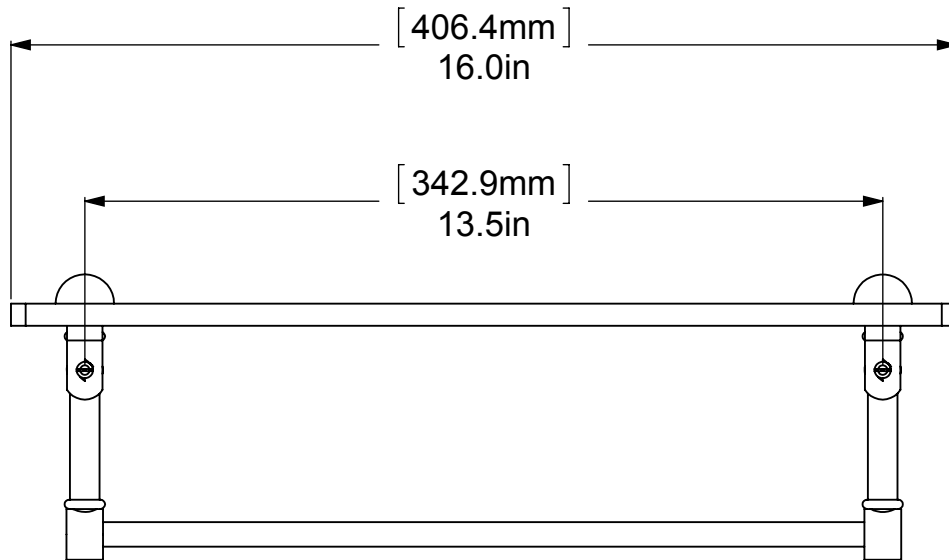
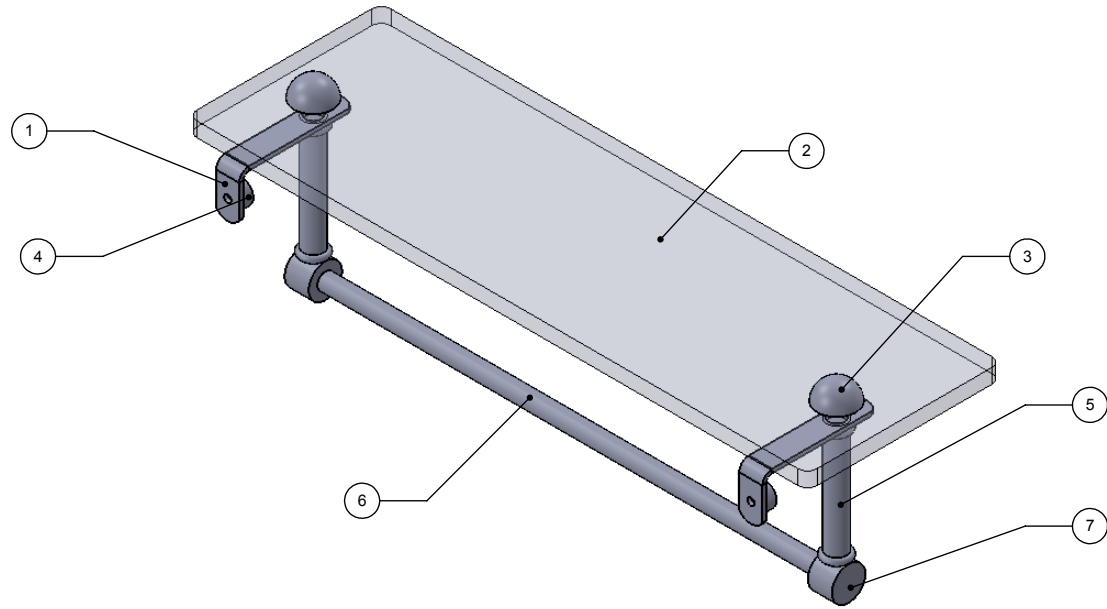


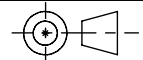
ITEM NO.	P/N	Description	QTY.
1	BKSH-2AD	BRACKET	2
2	GLRT-16	GLASS	1
3	CAHR-1	END BALL	2
4	CARD-58	END CAP	2
5	TU12-3	TUBE SUPPORT	2
6	TU38-13.5	TUBE	1
7	HBBTT-78	HUB	2



UNLESS OTHERWISE STATED

.X	±.3mm
.XX	±.15mm
.XXX	±.008mm

COPYRIGHT © Allied Brass 2016



THIRD ANGLE PROJECTION

DRAWN	6/23/2016	I.M
CHECKED	6/23/2016	P.D
APPROVED	6/23/2016	R.A

MATERIAL:	BRASS	
DESCRIPTION:	SHELF WITH TOWEL BAR	

FINISH	TBD
QUANTITY	TBD
DRAWING No.	REV
RC-1-16TB	0
SCALE	1:3.25
SHEET: 01	A4