

SeleCCTable™ LED  
Direct Mount Collection

**HALO**



**EATON**

*Powering Business Worldwide*

# HALO™ SeleCCTable Family



## RL-DM SeleCCTable Series



**RL4069S1EWHDM**  
4" LED Retrofit Baffle-Trim,  
Direct Mount, 600 lumen



**RL6069S1EWHDM**  
5" / 6" LED Retrofit Baffle-Trim,  
Direct Mount, 600 lumen

The SeleCCTable technology puts flexibility at your fingertips. By using the switch located on the driver junction box, the user can choose from a range of five color temperatures 2700K - 5000K.



2700K • 3000K • 3500K  
4000K • 5000K





The RL direct mount is an LED downlight with a remote driver / junction box ideal for new construction and renovation work.

Simplified installation in drywall or suspended ceilings eliminates recessed cans saving time and money.

Distribution patterns work well in low to medium ceiling heights, applications are virtually universal including living and dining areas, bedrooms, closets, hallways, bathrooms, kitchens, basements, soffits, entryways and porches.



## RL SeleCCTable Direct Mount Series

The RL Direct Mount installs into a standard hole saw size cutout and is retained securely in place with springs.

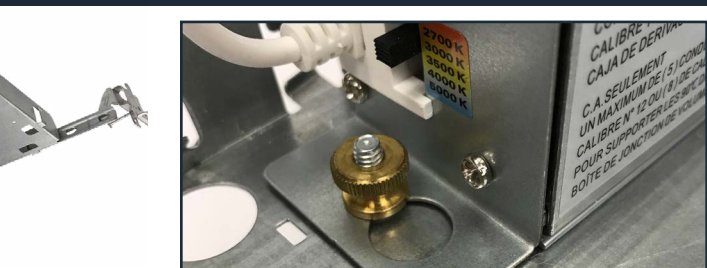
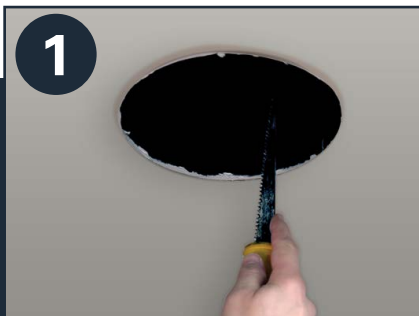
The driver junction box installs through a cutout and can be positioned remotely from the fixture fitting. The keyhole slots facilitate attachment to the building structure.



## New Construction Mounting Frame



The new construction mounting frame locates the fixture fitting during electrical rough-in. Halo's patented Got Nail! bar hangers are pre-installed support the mounting frame along rails.



During electrical rough-in, the driver / junction box attaches to the mounting frame with captive fasteners meeting code requirements for attachment to the building structure.

# RL4 SeleCCTable Direct Mount Series



- 600 Series: up to 621 lumens<sup>1</sup>
- Use to replace 60W PAR16, 50W PAR20 or 40W R20 lamp
- 2700K, 3000K, 3500K, 4000K, 5000K CCT<sup>2</sup> all in one
- 90 CRI
- 600 Series: 8.7W, 120V
- L70 @ 70,000 hrs
- HALO matte white finish
- Requires no housing or junction box
- Aluminum jbox IC rated
- Aluminum jbox includes (2) 1/2" conduit pry-out & (2) Slide-N-Side
- Can be installed in 1/2" to 1-1/4" thick ceilings
- Dimmable to 5% with select dimmers
- Damp and wet location listed (shower rated)
- Rated for IC, ICAT and may be used in Non-IC housings
- AIR-TITE™ certified per ASTM-E283
- Diffusing, regressed lens
- Five-year limited warranty

1. Lumens per selected CCT

2. CCT - Correlated Color Temperature

## Ordering Information

**SAMPLE NUMBER:** RL4069S1EWHDM

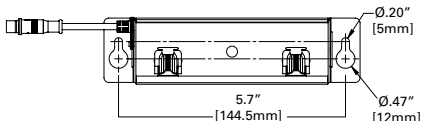
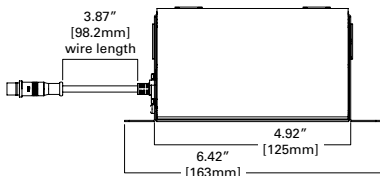
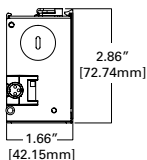
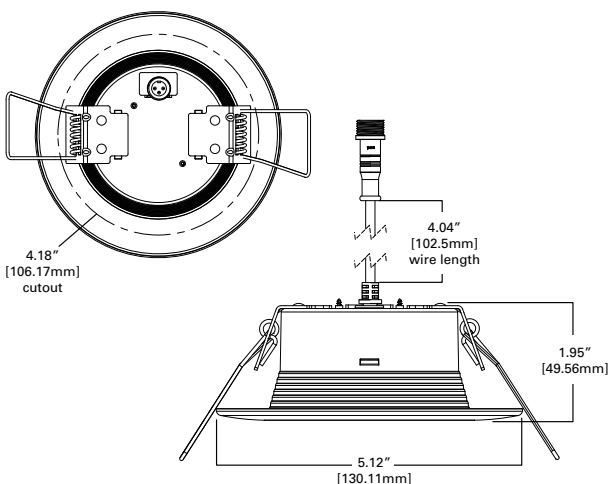
Models	Lumens	CRI / CCT
<b>RL4</b> = 4-Inch all-purpose retrofit LED module	<b>06</b> =600 lumen (nominal)	<b>9S</b> =90 CRI minimum, white tuning, selectable 2700, 3000, 3500, 4000 or 5000K CCT
Driver	Finish	Mounting
<b>1E</b> = 120V 60Hz, LE & TE phase cut 5% dimming	<b>WH</b> = matte white flange	<b>DM</b> = Direct Mount

**UP TO \$394<sup>Δ</sup> SAVINGS**

<sup>Δ</sup> Savings are over the life of the HALO RL4-DM luminaire. (600 series)  
Energy savings: \$306

Replacement lamp savings: \$88

Savings based on \$0.128 per kilowatt hour, average six hours use per day, 70,000 hours of lamp usage, and 60W PAR16 lamp lumen equivalent.



RL4-DM Energy Data	600 Series
<b>Max. Lumens</b>	652 @ 3000K
<b>Input Voltage</b>	120V
<b>Input Frequency</b>	50/60 Hz
<b>Input Power</b>	8.7W
<b>Input Current</b>	0.074mA (Per input power)
<b>Power Factor</b>	>0.90
<b>THD</b>	<20%
<b>EMI/RFI</b>	FCC Title 47 CFR, Part 15, Class B (Consumer)
<b>Sound Rating</b>	Class A
<b>Minimum Starting Temp</b>	-30°C (-22°F)



Refer to ENERGY STAR® Certified Products List.  
Can be used to comply with California Title 24  
High Efficacy requirements.  
Certified to California Appliance Efficiency  
Database under JAB.



# RL6 SeleCCTable Direct Mount Series



- 600 Series: up to 719 lumens @3000K<sup>1</sup>
- 600 Series: use to replace 65W BR30 or 50W PAR30 lamp
- 2700K, 3000K, 3500K, 4000K, 5000K CCT<sup>2</sup> all in one
- 90 CRI
- 600 Series: 8.7W, 120V
- L70 @ 70,000 hrs
- HALO matte white finish
- Requires no housing or junction box
- Aluminum jbox IC rated
- Aluminum jbox includes (2) 1/2" conduit pry-out & (2) Slide-N-Side
- Can be installed in 1/2" to 1-1/4" thick ceilings
- Dimmable to 5% with select dimmers
- Damp and wet location listed (shower rated)
- AIR-TITE™ certified per ASTM-E283
- Diffusing, regressed lens
- Five-year limited warranty

1. Lumens per selected CCT

2. CCT - Correlated Color Temperature

## Ordering Information

**SAMPLE NUMBER:** RL6069S1EWHDM

Models	Lumens	CRI / CCT
<b>RL6</b> = 6-Inch all-purpose retrofit LED module	<b>06</b> =600 lumen (nominal)	<b>9S</b> =90 CRI minimum, white tuning, selectable 2700, 3000, 3500, 4000 or 5000K CCT
Driver	Finish	Mounting
<b>1E</b> = 120V 60Hz, LE & TE phase cut 5% dimming	<b>WH</b> = matte white flange	<b>DM</b> = Direct Mount

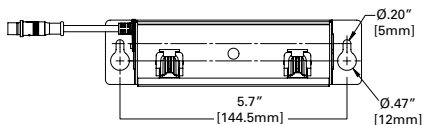
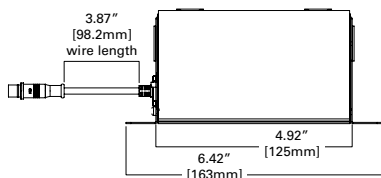
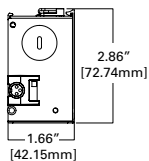
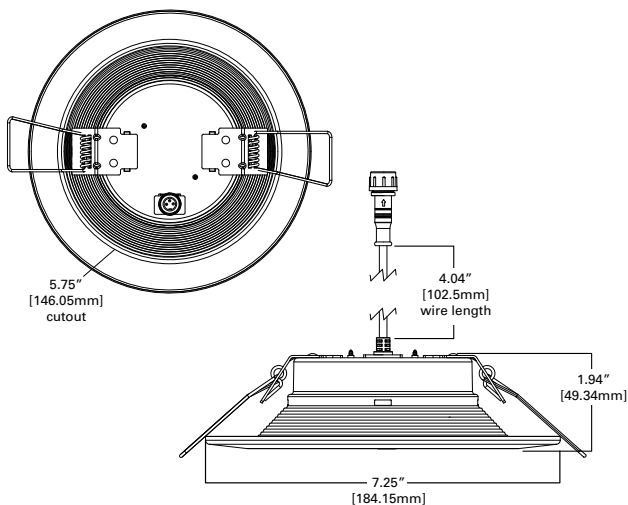
**UP TO \$399<sup>Δ</sup>**  
**SAVINGS**

<sup>Δ</sup> Savings are over the life of the HALO RL6-DM luminaire. (600 series)  
Energy savings: \$338

Replacement lamp savings: \$61

Savings based on \$0.128 per kilowatt hour, average six hours use per day, 70,000 hours of lamp usage, and 65W BR30 lamp lumen equivalent.





RL6-DM Energy Data	600 Series
<b>Max. Lumens</b>	719 @ 3000K
<b>Input Voltage</b>	120V
<b>Input Frequency</b>	50/60 Hz
<b>Input Power</b>	8.7W
<b>Input Current</b>	0.074mA (Per input power)
<b>Power Factor</b>	>0.90
<b>THD</b>	<20%
<b>EMI/RFI</b>	FCC Title 47 CFR, Part 15, Class B (Consumer)
<b>Sound Rating</b>	Class A
<b>Minimum Starting Temp</b>	-30°C (-22°F)



Refer to ENERGY STAR® Certified Products List.  
Can be used to comply with California Title 24  
High Efficacy requirements.  
Certified to California Appliance Efficiency  
Database under JA8.



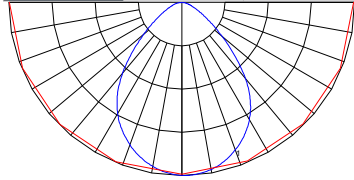
# Product and Photometric Data

## RL4069S1EWHDM

RL4 SeleCCTable Direct Mount

	CCT	Lumens	Power (W)	LPW
<b>RL4-DM</b>	2700K	629.3	8.7	72.3
	3000K	652.0	8.7	74.9
	3500K	670.8	8.7	77.1
	4000K	685.1	8.7	78.7
	5000K	692.7	8.7	79.6

<b>RL4069S1EWHDM-3000K</b>		
<b>Luminaire lumens</b>	652	
<b>Input watts</b>	8.7	
<b>LER (LPW)</b>	74.9	
<b>Spacing Criteria</b>	0-180	1.18
	90-270	1.18
	Diagonal	1.26
<b>Beam angle (degrees)</b>	93.1	
<b>Field angle (degrees)</b>	141.1	
<b>Zonal lumen</b>	<b>Lumens</b>	<b>% Lumens</b>
0-30	230.2	35.3
0-40	365.1	56
0-60	579.0	88.8
0-90	652.0	100



<b>Color Metric Summary-3000K</b>	
TM-30-15	Rf = 90.8
	Rg = 99.7
CRI/CIE	Ra = 93.7
	R9 = 69.3

CCT - Range of 2700K- 5000K



## Lighting Control Solution

Eaton dimmers offer versatile options to set the mood and reduce energy consumption. These compatible LED dimmers are ideal for both residential and light commercial applications and are compatible with decorator (screw-less) style devices and wallplates.

Refer to [www.eaton.com](http://www.eaton.com) for additional information.



**Decorator**  
WBSD-DEC-\*



**Slide**  
WBSD-SLD-\*



**Toggle**  
WBSD-TOG-\*



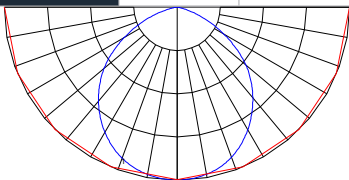
**Smart**  
WBSD-SMT-\*

## RL6069S1EWHDM

RL6 SeleCCTable Direct Mount

	CCT	Lumens	Power (W)	LPW
RL6-DM	2700K	709.6	8.4	84.5
	3000K	735.2	8.4	87.5
	3500K	756.4	8.4	90.0
	4000K	772.5	8.4	92.0
	5000K	781.1	8.4	93.0

RL6069S1EWHDM-3000K		
Luminaire lumens	735.2	
Input watts	8.4	
LER (LPW)	87.5	
Spacing Criteria	0-180	1.16
	90-270	1.16
	Diagonal	1.22
Beam angle (degrees)	89.1	
Field angle (degrees)	140.1	
Zonal lumen	Lumens	% Lumens
0-30	269.1	36.6
0-40	423.5	57.6
0-60	655.1	89.1
0-90	735.2	100



Color Metric Summary-3000K	
TM-30-15	Rf = 90.8
	Rg = 99.7
CRI/CIE	Ra = 93.7
	R9 = 69.3

CCT - Range of 2700K- 5000K



## HALO HOME™



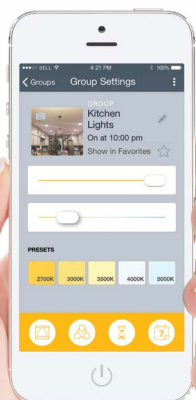
### HALO Home In-wall Smart Dimmer

HIWMA1BLE40AWH

Controls standard lighting fixtures with dimmer or HALO Home mobile app.

Features include:

- ON/OFF
- Dim
- Group
- Scene
- Schedule



## **Eaton**

1121 Highway 74 South  
Peachtree City, GA 30269  
P: 770-486-4800  
[www.eaton.com/lighting](http://www.eaton.com/lighting)

Canada Sales  
5925 McLaughlin Road  
Mississauga, Ontario L5R 1B8  
P: 905-501-3000  
F: 905-501-3172

### **Our Lighting Product Lines**

Ametrix  
AtLite  
Corelite  
Ephesus  
Fail-Safe  
HALO  
HALO Commercial  
Invue  
io  
IRiS  
Lumark  
Lumière  
McGraw-Edison  
Metalux  
MWS  
Neo-Ray  
Portfolio  
RSA  
Shaper  
Streetworks  
Sure-Lites

### **Our Controls Product Lines**

Fifth Light Technology  
Greengate  
iLight (International Only)  
iLumin  
Zero 88

### **Connected Lighting Systems**

Distributed Low-Voltage Power  
HALO Home  
iLumen Plus  
LumaWatt Pro  
WaveLinx

#### **Eaton**

1121 Highway 74 South  
Peachtree City, GA 30269  
P: 770-486-4800  
[www.eaton.com/lighting](http://www.eaton.com/lighting)

© 2019 Eaton  
All Rights Reserved  
Printed in USA  
Publication No. BR518062EN  
March 2019

Products, specifications and  
compliances are subject to  
change without notice.

Eaton is a registered trademark.

All other trademarks are property  
of their respective owners.



*Powering Business Worldwide*