



Buy it for looks. Buy it for life.®

Specifications

FAUCET DESCRIPTION

- Metal construction with various finishes identified by suffix
- Inlet shanks will accept 3/8" ball nose connections
- With Protégé® side spray

OPERATION

- Lever style handle
- Will operate with less than 5 lbs. of force

FLOW

- Tap water: 2.0 gpm max (7.6 L/min)

CARTRIDGE

- 1224 cartridge design
- Nonmetallic/nonferrous and stainless steel material

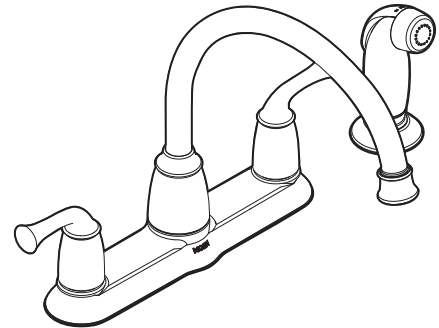
STANDARDS

- Third party certified to ASME A112.18.1/CSA B-125.1 and all applicable requirements referenced therein including NSF 61/9
- Meets Georgia SB370 requirements
- Contains no more than 0.25% weighted average lead content
- Complies with California Proposition 65 and with the Federal Safe Drinking Water Act

- **ADA**  for lever handles

WARRANTY

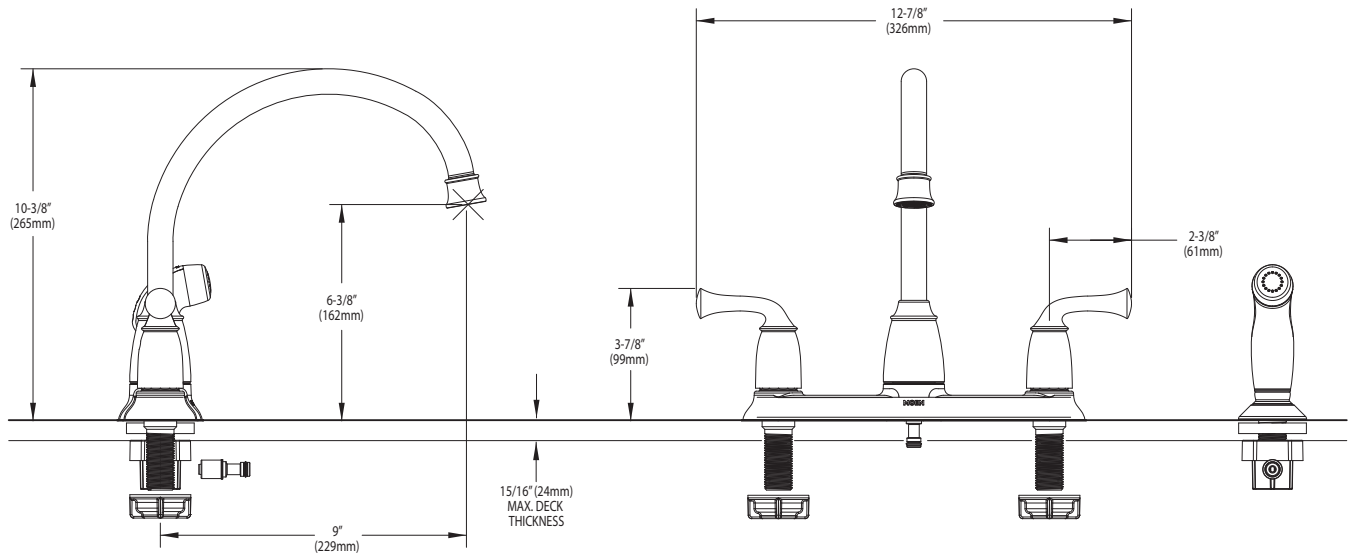
- Lifetime limited warranty against leaks, drips and finish defects to the original consumer purchaser
- 5 year warranty if used in commercial installations



Banbury®
Two Handle Lever Kitchen Faucet
with Protégé® Side Spray

Models: CA87553 series

NOTE: DESIGNED TO INSTALL THROUGH 3 HOLES
1-1/4" (32mm) MIN. DIA. AND 8" ON CENTER



CRITICAL DIMENSIONS

(DO NOT SCALE)