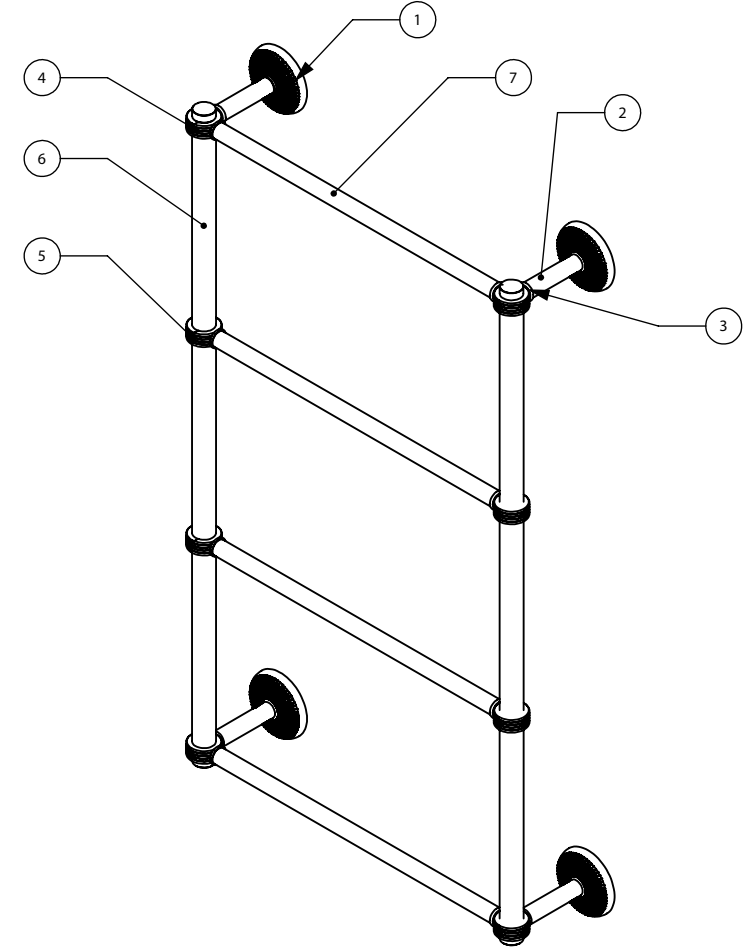
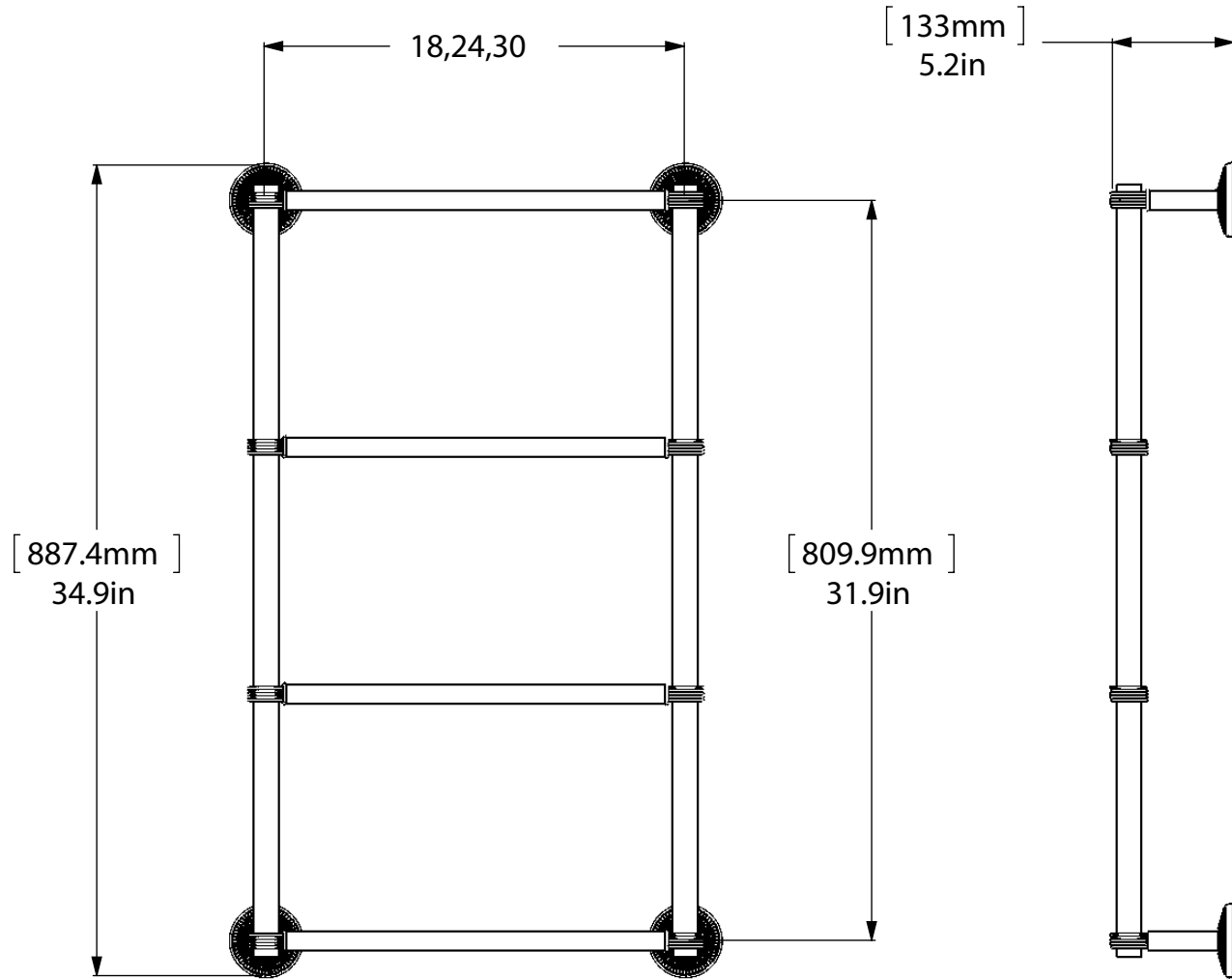


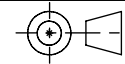
ITEM NO.	P/N	Description	QTY.
1	BPPR	BACKPLATE	4
2	TU34-3	POST	4
3	CRRD-34	CHECK RING	20
4	RGGV	HUB	4
5	RGGVT	HUB	4
6	TU1-10	TUBE	6
7	TU34-18,24,30	BAR	4



UNLESS OTHERWISE STATED

.X	$\pm .3\text{mm}$
.XX	$\pm .15\text{mm}$
.XXX	$\pm .008\text{mm}$

COPYRIGHT © Allied Brass 2017



THIRD ANGLE PROJECTION

DRAWN	8-18-17	I.M
CHECKED	8-18-17	P.D
APPROVED	8-18-17	R.A

MATERIAL: BRASS
 DESCRIPTION: Monte Carlo Collection
 4 Tier Ladder Towel Bar



FINISH	TBD
QUANTITY	TBD
DRAWING No.	REV
MC-28G	0
SCALE	1:8 SHEET: 01 A4