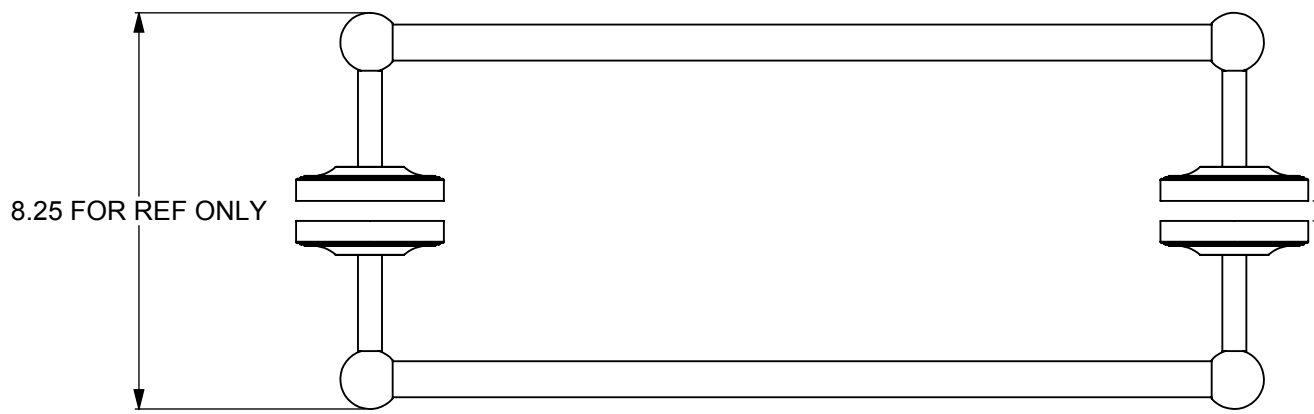
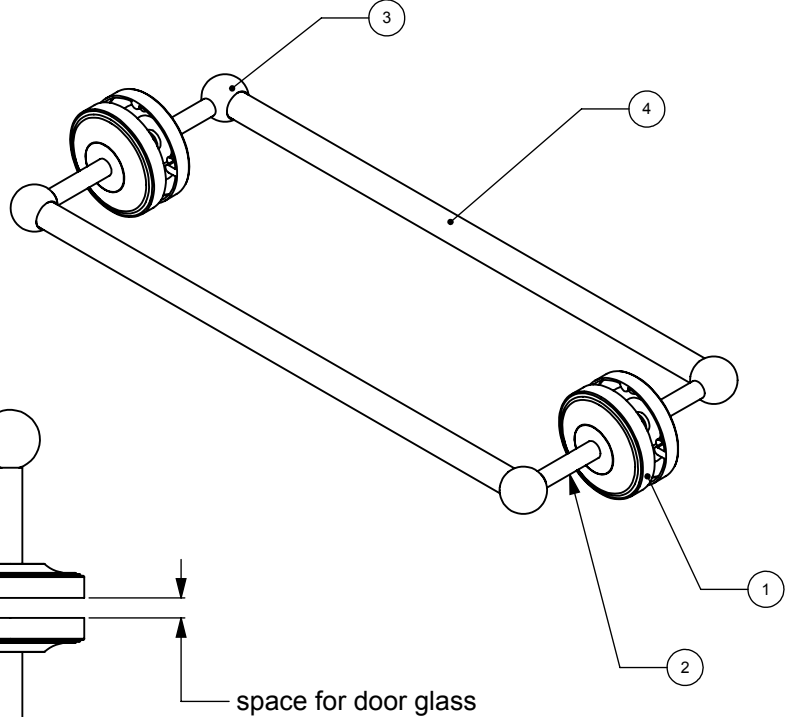
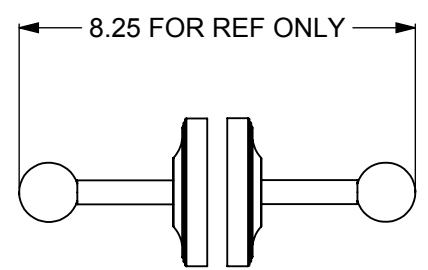
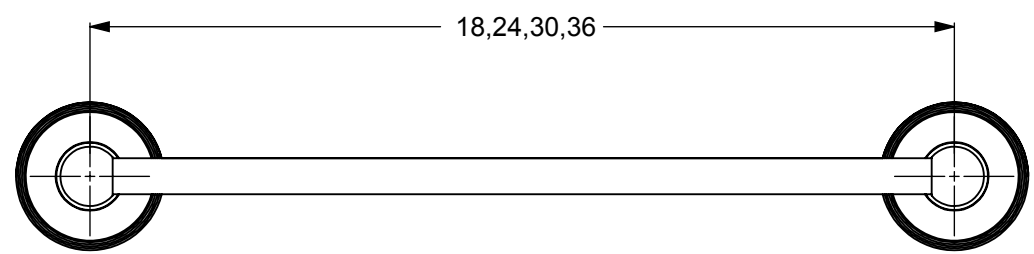


ITEM NO.	P/N	DESCRIPTION	QTY.
1	BPPR	BACKPLATE	4
2	TU12-2	Support	4
3	BL34ST-1.25	Lock	4
4	TU34-18,24,30,36	TUBE	2



space for door glass

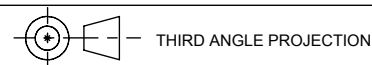


NOTES:
1. UNIT IS IN INCHES.

UNLESS OTHERWISE STATED

.X	±.3mm
.XX	±.15mm
.XXX	±.008mm

COPYRIGHT © Allied Brass 2016



DRAWN	8/17/2016	I.M
CHECKED	8/17/2016	P.D
APPROVED	8/17/2016	R.A

MATERIAL:	BRASS
DESCRIPTION:	BACK TO BACK TOWEL BAR

FINISH	TBD
QUANTITY	TBD
DRAWING No.	PR-41-BB
REV	0
SCALE	1:4
SHEET: 01	A4