



## LED ARCHITECTURAL WALL SCONCE

### SPEC SHEET



Suitable for  
**Wet Locations**



Catalog No. : AUR20-3K-BZ

Type : Wall Sconce

Project Name :

Location :

Qty :

Date :

PROBRITE'S Up and Down 2-Light Outdoor LED Wall Sconce is the perfect blend of high-end architectural and security lighting. The sconce produces an uplight that architecturally grazes the wall surface, while the downlight illuminates both the wall and ground. It's two innovative illuminating "halo-rings" on both end-caps provides a third light that diffuses light outwards and is both inviting to look at while providing ample and functional security lighting.

#### APPLICATIONS

Perfect for entry ways, driveways, retail, commercial building, hotels and wall perimeter security lighting.

#### PRODUCT PERFORMANCE AT A GLANCE

SYSTEM WATTAGE	LED WATTAGE	LUMENS	LPW	CRI	REPLACES (MH)
20W	18W	1400 lm	70 lm/w	≥80	80W

#### HOUSING

Extrusion aluminum housing with impact-resistant UV-stabilized polycarbonate "halo-effect" end-caps.

#### OPTICS

Up and down soft "V" shaped optics with two illuminating end caps to provide outward lighting for security needs in addition to decorative up and down lighting.

#### FINISH

Fade, weather, and abrasion resistant, electrostatically applied, thermally cured, triglycidal isocyanurate (TGIC) textured polyester powdercoat finish. Paint is bronze.

#### IP RATING & LISTINGS

LED light engine is weather proof rated IP65.

cULus, FCC Certified

#### MOUNTING

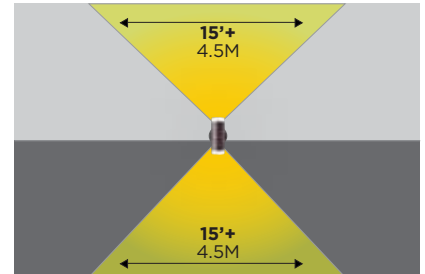
Unit has a detachable mounting plate with hanging wire that allows for hands-free installation when making electrical connections.

#### WARRANTY

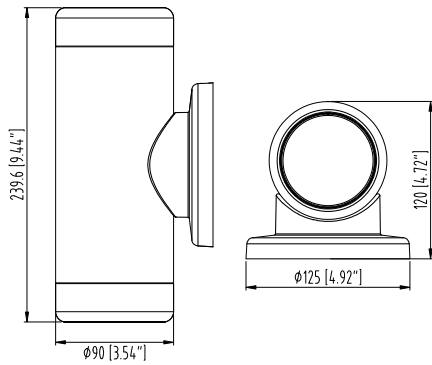
Fixture is covered by a 5-year limited warranty. See [probrite.com/warranty](http://probrite.com/warranty) for details.

**SUGGESTED MOUNTING HEIGHT:**  
5-12 FT.(1.5-3.7 M)

### 3D PHOTOMETRIC VIEW



### PRODUCT LINE DRAWING



### PRODUCT SPECIFICATIONS

Product Dimensions	: 9.44" X 4.72" X 3.54"
Weight	: 1.98lbs
Lumens	: 1400
System Wattage	: 20W
LED Wattage	: 18W
Efficacy	: 70
CRI	: 80
Replaces (MH)	: 80W
Mounting	: Wall mount
Frequency	: 50-60Hz
THD (Total Harmonic Distortion)	: <20%
PF(Power Factor)	: >0.9
Ambient Operating Temperature	: (-30) - 40°C
Input Voltage	: 120V
Photocell	: No
Driver	: Non-dimming
Standard Lifetime	: L70 >50,000hrs
Standard Warranty	: 5 Years
Water Proofing Grade	: Suitable for wet location
CCT	: 3000K
Certifications	: UL/cUL

### APPLICATION

