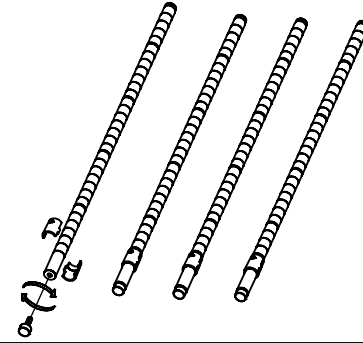
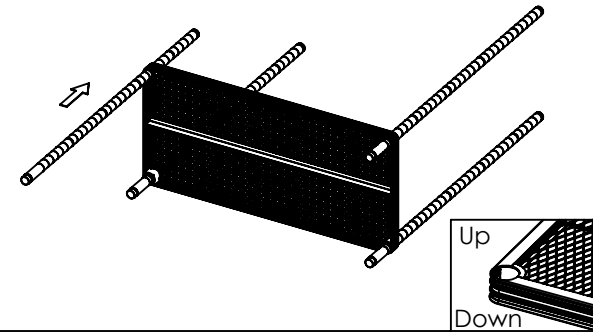


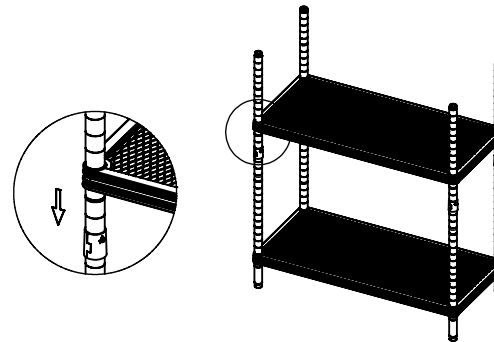
1 Screw four pieces Leveling Foot(E) into the bottom of each Lower Pole(B). And snap the Plastic Clips(D) on the grooves of each lower pole at the same position. Make sure the arrow of all the plastic clips should be pointed up.



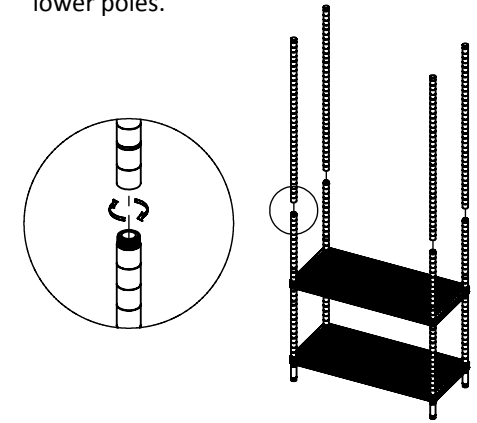
2 Please make sure that you have the Fine Mesh Shelf(A) the correct way up. Hold the shelf and slide the top of four lower poles through the bottom of each shelf at its corners until there is snug fit.



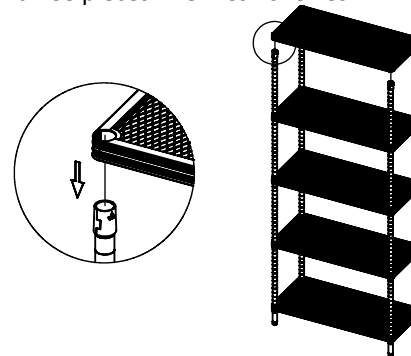
3 Refer to the Step (1) to snap plastic clips on the grooves of four pieces lower poles at your desired position for next fine mesh shelf. Slide down the fine mesh shelf from the top of each pole down onto the plastic clips.



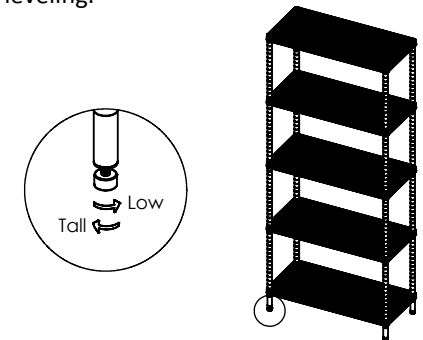
4 Screw Upper Poles(C) into lower poles by screw connectors which are already assembled on the lower poles.



5 Refer to the Step (3) to snap the plastic clips on the same grooves of each pole at your next desired position for the other three pieces fine mesh shelves. And then assemble the other three pieces fine mesh shelves.



6 Pushing firmly down on every fine mesh shelves at corners by rubber mallet to ensure all the shelves in a place over the plastic clips. And screw leveling feet in or out to attain proper leveling.



No.	A	B	C	D	E
name	Fine Mesh Shelf	Lower Pole	Upper Pole	Plastic Clip	Leveling Foot
Parts				 2 pcs spare	
QTY	5 pcs	4 pcs	4 pcs	42 pcs	4 pcs