

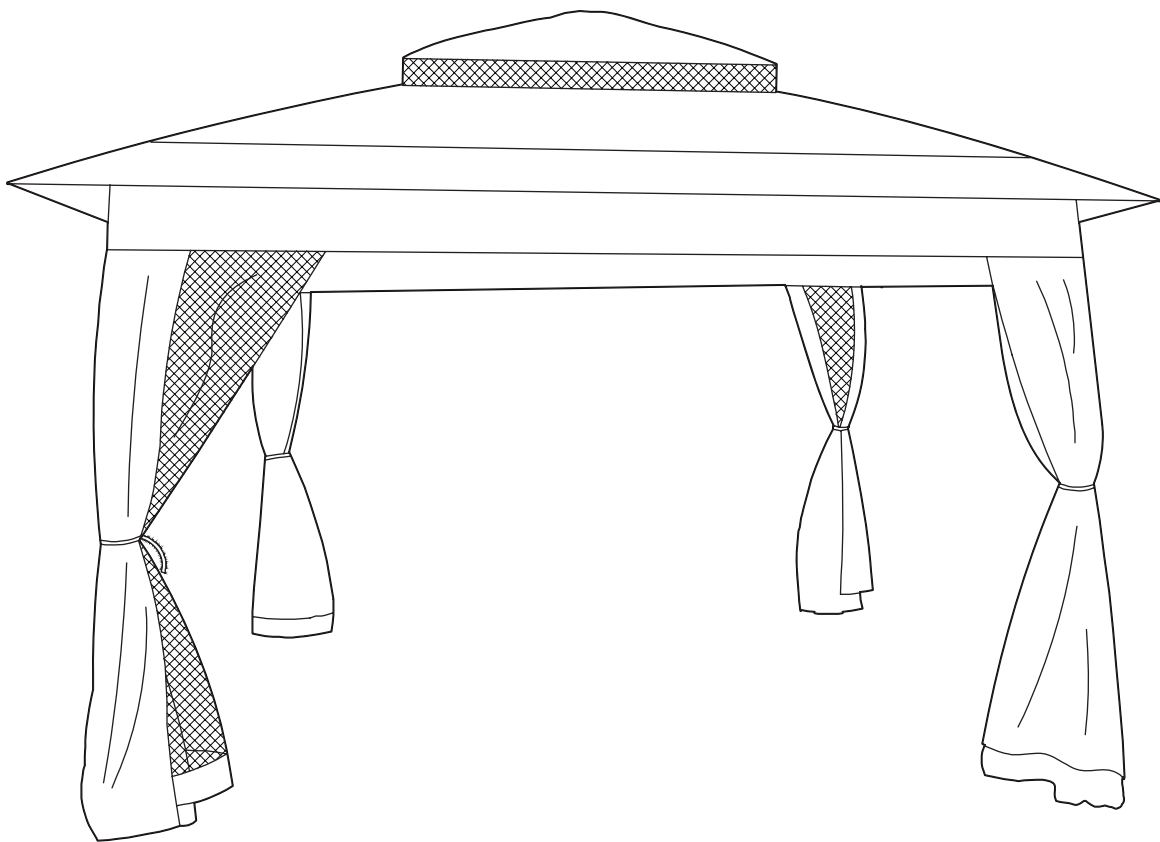
# HAMPTON BAY®

ITEM #1003 516 700  
#1003 368 444  
Model #NS PUG 144-300D

## USE AND CARE GUIDE

---

### STOCKTON 12 FT. X 12 FT. CANOPY WITH NETTING



Questions, problems, missing parts? Before returning to the store,  
call Hampton Bay Customer Service  
8 a.m. - 7 p.m., EST, Monday – Friday, 9 a.m. – 6 p.m., EST, Saturday

**855-434-2678**

**HAMPTONBAY.COM**

---

#### THANK YOU

*We appreciate the trust and confidence you have placed in Hampton Bay through the purchase of this canopy. We strive to continually create quality products designed to enhance your home. Visit us online to see our full line of products available for your home improvement needs.*

*Thank you for choosing Hampton Bay!*

## Table of Contents

Safety Information .....	2	Assembly.....	5
Warranty .....	2	Care And Cleaning .....	9
Pre-Installation .....	3	Service Parts.....	10
Planning Installation .....	3		
Tools Required .....	3		
Hardware Included.....	3		
Package Contents .....	4		

## Safety Information

When assembling and using this product, basic safety precautions should always be followed to reduce the risk of personal injury and damage to the equipment. Please read all instructions before assembly and usage.



**CAUTION:** Do not climb on top of the gazebo. Falling off the gazebo can result in serious injury, possibly even death.



**NOTE:** For outdoor use only.



**WARNING:** Do not leave the gazebo where there is a risk of high wind, as possible damage will occur to the structure.



**WARNING:** Keep all flame and heat sources away from this gazebo fabric. This Gazebo is made with fabric that meets CPAI-84 specifications for flame resistance. It is not fire proof. The fabric will burn if left in continuous contact with any flame source. The application of any foreign substance to the gazebo fabric may render the flame-resistant properties ineffective.

## Warranty

### 1 YEAR WARRANTY

#### WHAT IS COVERED

This limited warranty is extended to the original purchaser and applies to defects in materials and workmanship of your item provided the item is maintained with care and used only for personal, residential purposes. The item is warranted to be free from defects in material or workmanship for a period of 1 year.

#### WHAT IS NOT COVERED

We do not reimburse for transportation of delivery costs, or compensate the individual or any outside party for assembling or disassembling the product.

Contact the Customer Service Team at 1-888-502-9589, 9:00 am to 4:00 pm PST, or email to [Care@OutdoorDesignz.com](mailto:Care@OutdoorDesignz.com), or visit [www.HAMPTONBAY.com](http://www.HAMPTONBAY.com).

# Pre-Installation

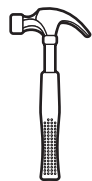
## PLANNING INSTALLATION

Before beginning assembly of this product, make sure all parts are present. Compare parts with the Hardware Included and Package Contents lists. If any part is missing or damaged, do not attempt to assemble the product. Contact customer service for replacement parts.

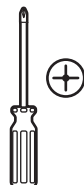


**IMPORTANT:** Requires 2 people for the installation work.  
Approximate installation time: 10~15 minutes

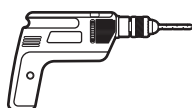
## TOOLS REQUIRED



Claw hammer



Phillips screwdriver



Electric drill

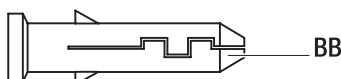
## HARDWARE INCLUDED



**NOTE:** Hardware not shown to actual size. To avoid destroying the finish, do not put the parts on the ground directly.



AA



BB



CC



DD



EE

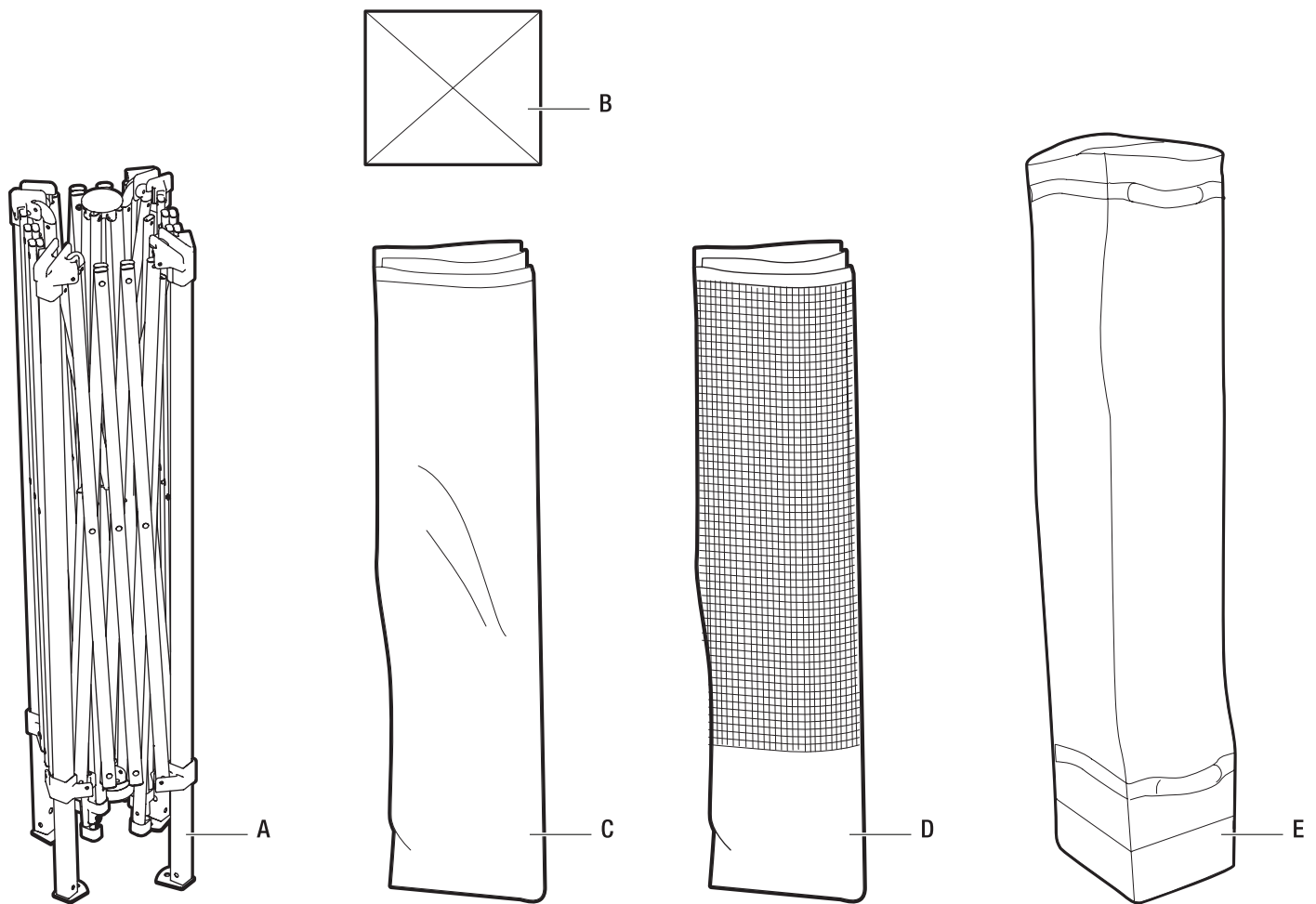


FF

Part	Description	Reference No.	Quantity
AA	Self tapping screw	SP142	4
BB	Expansion sleeve	SP143	4
CC	Stake	SP178	4
DD	Spiral stake	SP139	4
EE	L-shape wrench	SP177	1
FF	Guy rope	SP181	4

## Pre-Installation (continued)

### PACKAGE CONTENTS

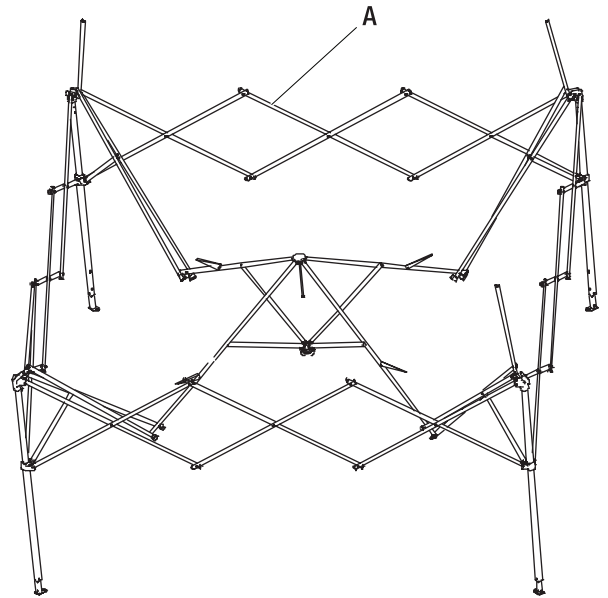
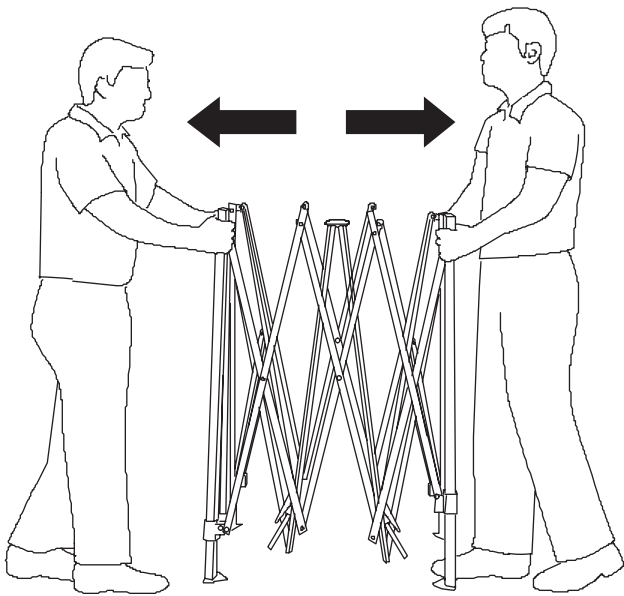


Part	Description	Quantity
A	Canopy frame	1
B	Small top	1
C	Large top	1
D	Mosquito netting	1
E	Wheeled storage bag	1

# Assembly

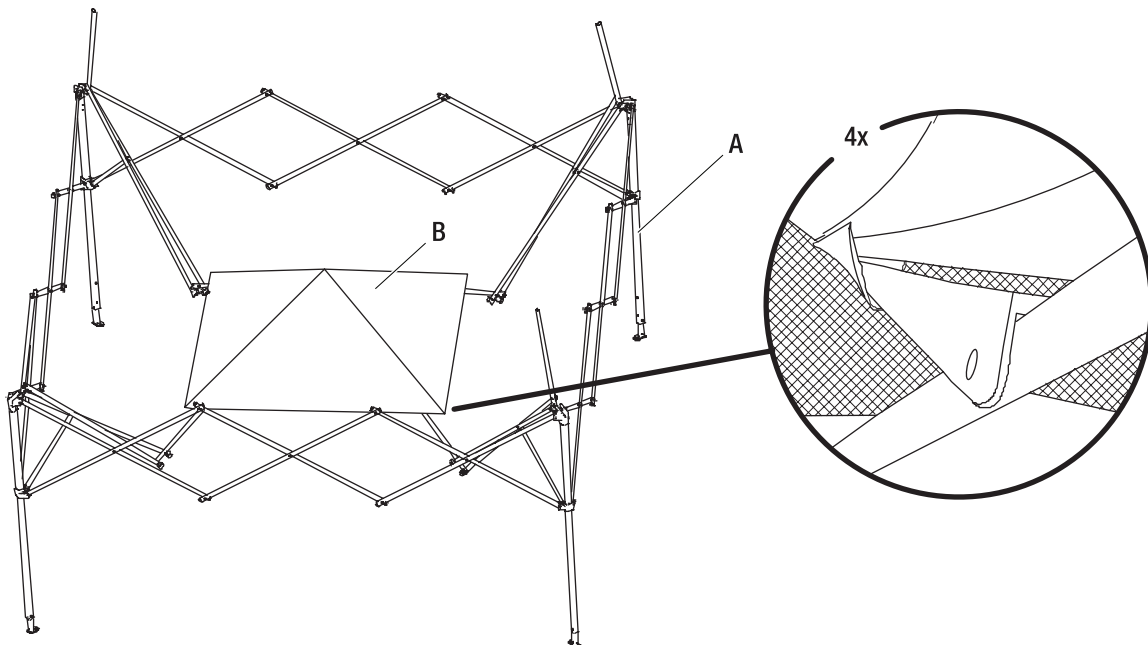
## 1 Opening the canopy frame

- With two people on the diagonal ends, lift and partially pull the canopy frame (A) apart.



## 2 Attaching the small canopy

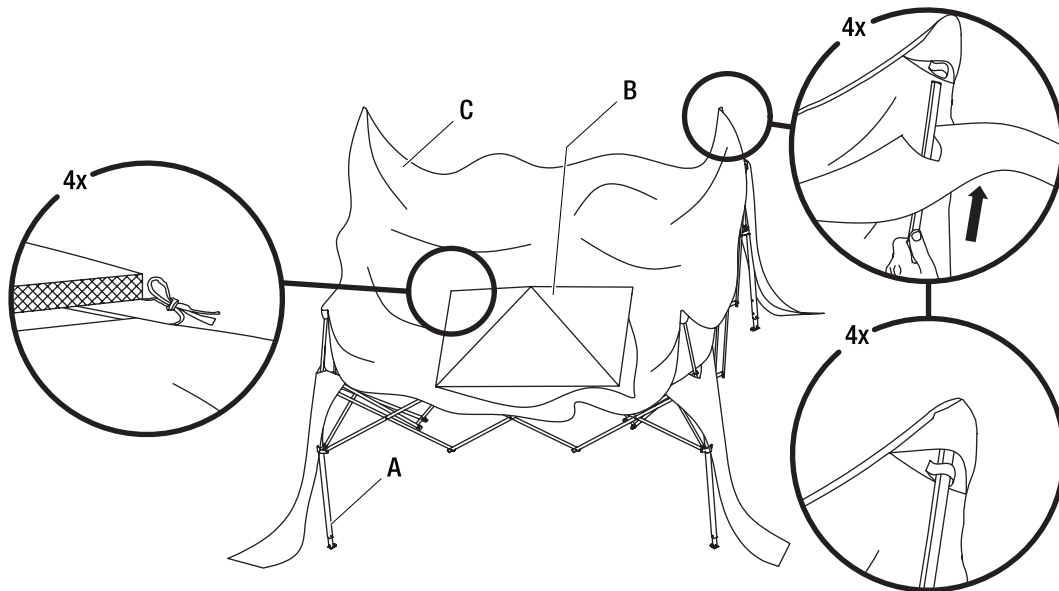
- Unfold the small top (B) and place it over the open frame (A).
- Attach the four canopy corners to the frame top.



## Assembly (continued)

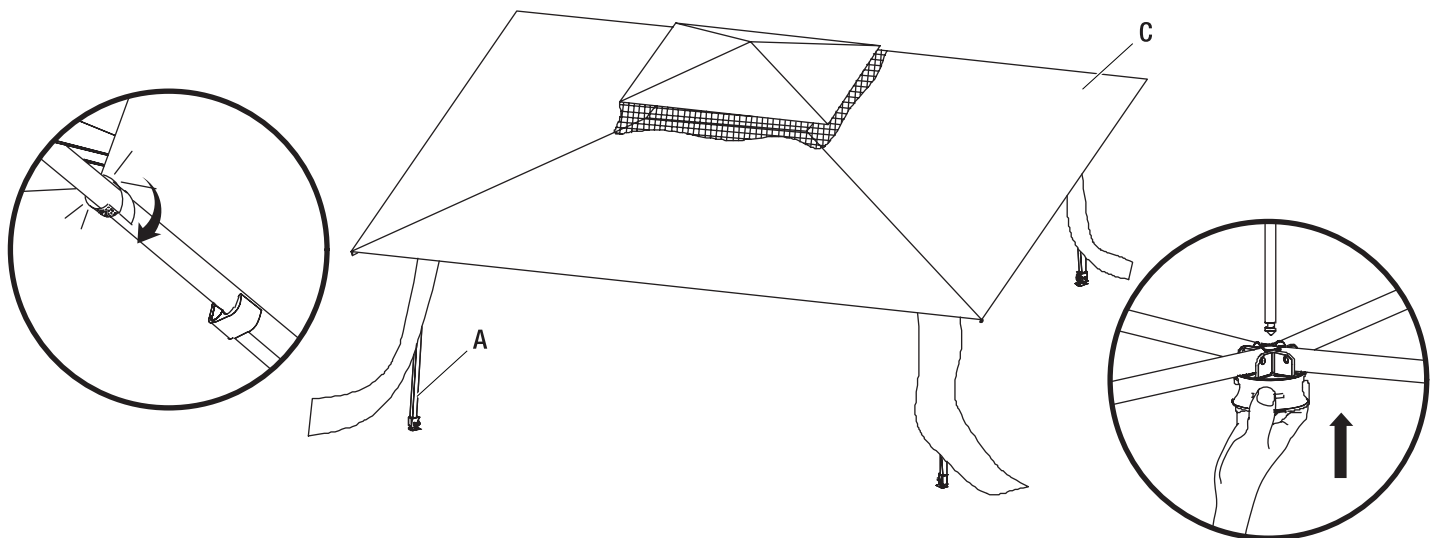
### 3 Attaching the large canopy

- Unfold the large top (C) and place it over the open frame (A). Be sure the neckband of the large top (C) is totally under the small top (B).
- Attach the four canopy corners to the awning poles, then tie the small top (B) and large top (C) together with the ropes.



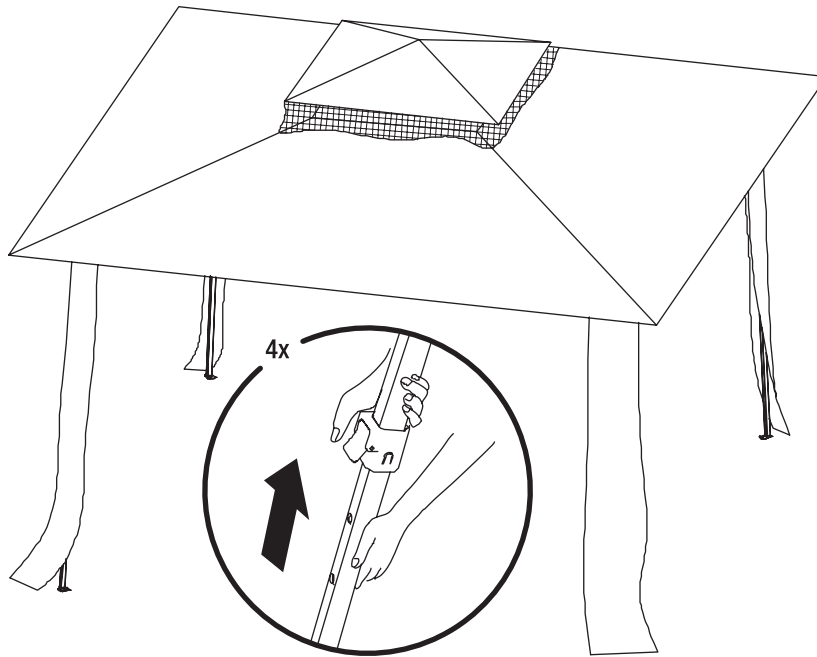
### 4 Locking the frame

- Under the canopy, place one hand on the upper frame and use the other hand to push the central hub straight up until it clicks into the central pole.
- Finish attaching the large canopy (C) inside the canopy frame (A) using the Velcro loops.



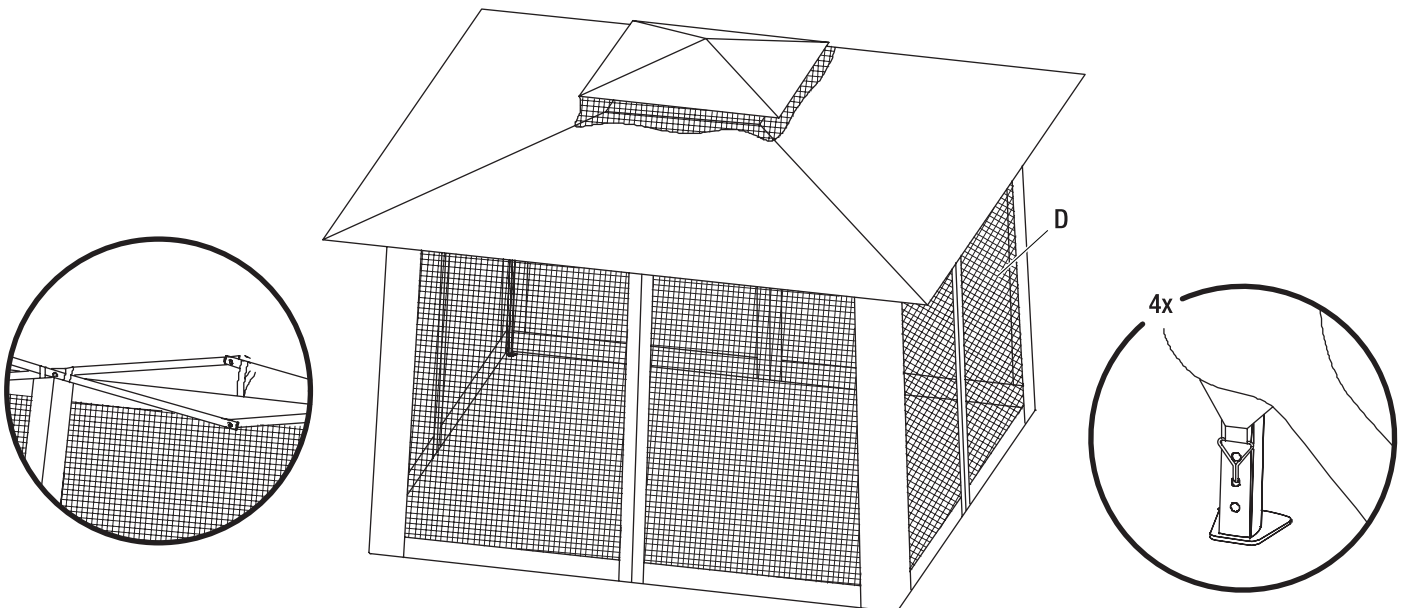
### 5 Adjusting the canopy height

- Press the red button on each leg and raise or lower to adjust the canopy height.

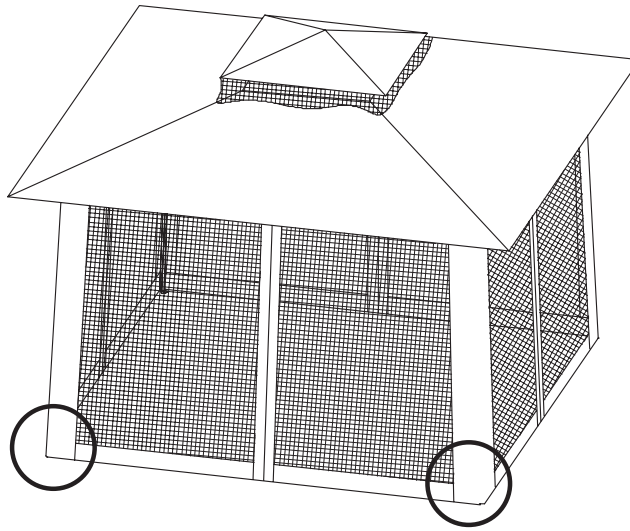


### 6 Hanging the mosquito netting

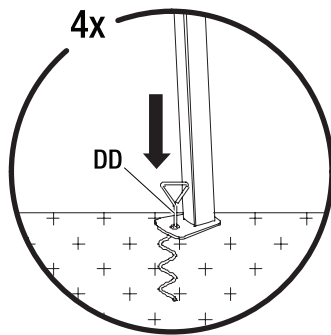
- Unfold and open one zipper of the mosquito netting (D).
- Connect the velcro loops around the frame to secure the mosquito netting in place.
- Hook the canopy end into the leg holes on the canopy legs.



### 7 Securing the legs

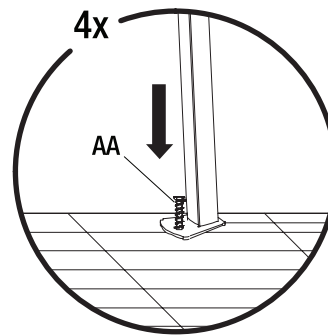


#### Grass ground



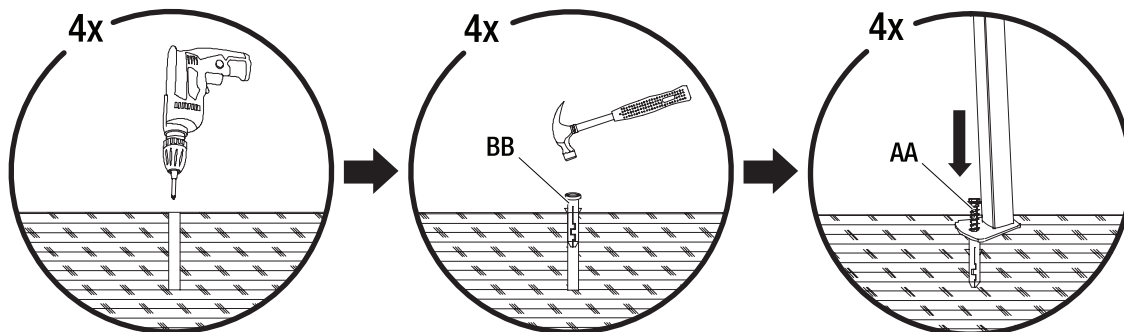
- Measure out each leg to a proper distance.
- Secure four spiral stakes (DD) to the grass ground.

#### Wooden deck



- Measure out each leg to a proper distance.
- Secure four self tapping screws (AA) to the wooden deck.

#### Concrete ground



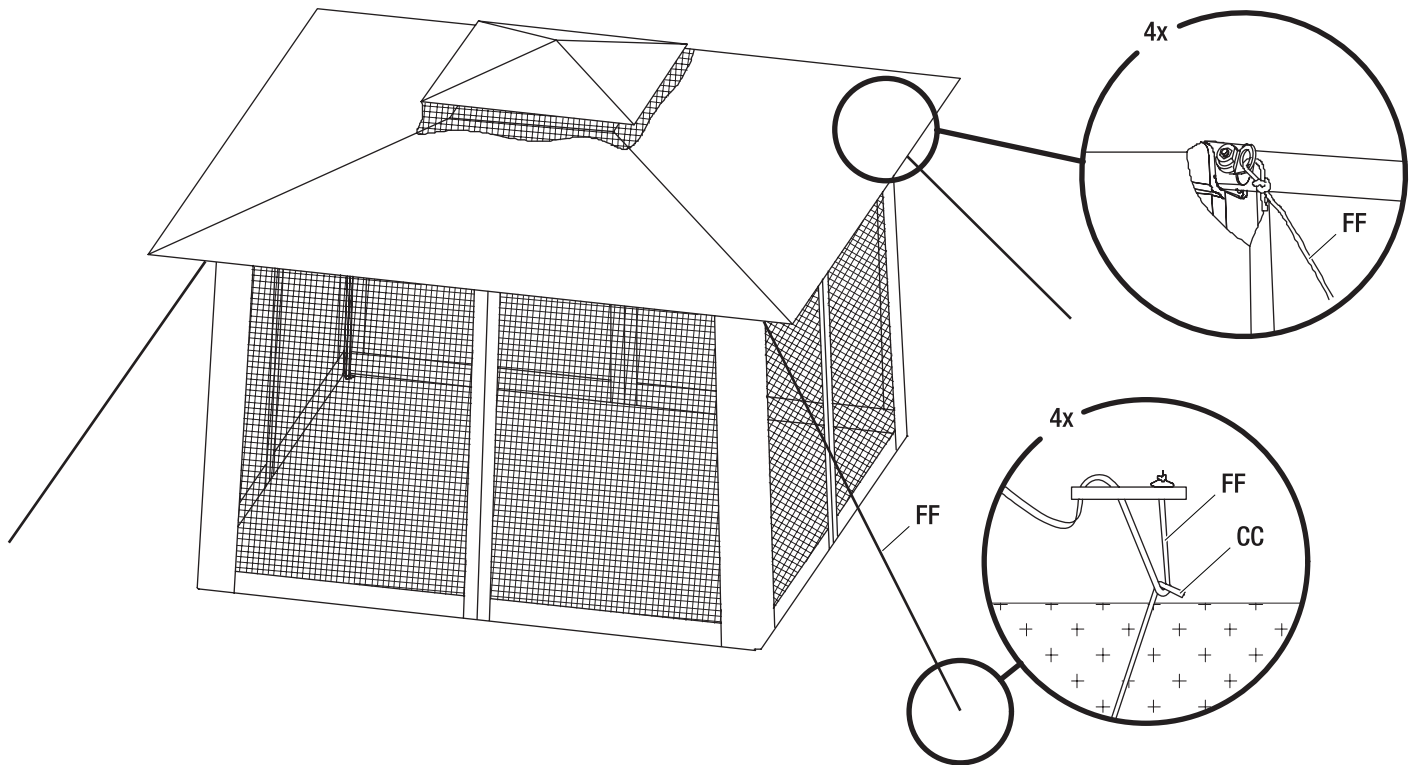
- Measure out each leg to a proper distance, drill four holes ( $\varnothing 10$  mm) in the concrete ground with a pistol drill.
- Knock the expansion sleeves (BB) into the holes, and secure four self tapping screws (AA) to the concrete ground.



## Assembly (continued)

### 8 Securing the canopy

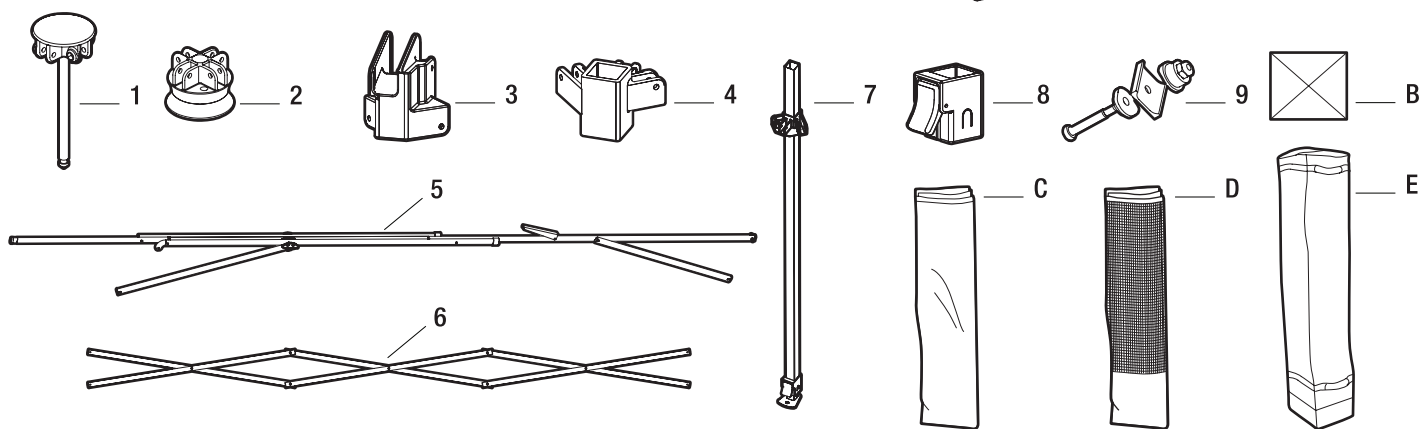
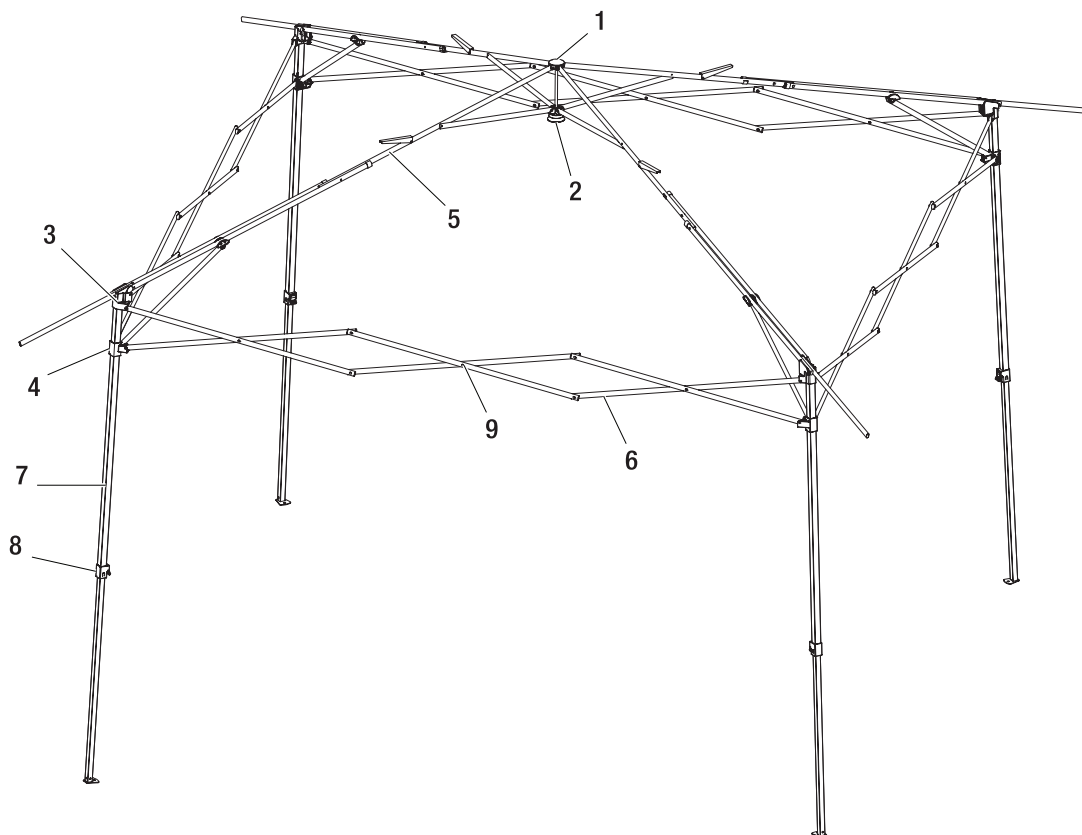
- Drive stakes (CC) into the ground a few feet from the corners of the canopy.
- Attach the ropes (FF) to the metal rings on the frame and tie the attached ropes to the stakes (CC) in the ground.
- Ensure the ropes (FF) have the proper tension by adjusting the plastic adjusters on the ropes.



## Care and Cleaning

- Before using, clean the canopy completely with a soft dry towel.
- Do not put your canopy in wet conditions where there is a risk of rust developing.
- When not in use, store in a cool, dry area.

# Service Parts



Part	Description	Reference No.	Quantity
1	Central pole	SP165	1
2	Central bottom hub	SP002	1
3	Top cap	SP166	4
4	Slider	SP167	4
5	Ceiling assembly	SP168	1
6	Eave assembly	SP169	4
7	Leg assembly	SP170	4

Part	Description	Reference No.	Quantity
8	Leg extend	SP171	4
9	Bolt kit	SP172	28
B	Small top	SP173	1
C	Large top	SP174	1
D	Mosquito netting	SP175	1
E	Wheeled storage bag	SP176	1

# HAMPTON BAY®

Questions, problems, missing parts? Before returning to the store,  
call Hampton Bay Customer Service  
8 a.m. – 7 p.m., EST, Monday – Friday, 9 a.m. – 6 p.m., EST, Saturday

**855-434-2678**

**HAMPTONBAY.COM**

Retain this manual for future use.