

Freestanding Ranges

FFGF3056T D/S/W/B

30" Gas



Product Dimensions

| | |
|--------------------------|---------|
| Height (Max.) | 47" |
| Width | 29-7/8" |
| Depth (Including Handle) | 29-1/4" |

More Easy-To-Use Features

Sealed Gas Burners

Enjoy easier cleanup and a burner that stays looking great.

Large Capacity

Our large capacity oven gives you room to cook more at once.

Store-More™ Storage Drawer

With the Store-More™ Storage Drawer, you will have extra space to store your cookware.

Delay Clean

Set the oven to begin cleaning on your schedule.

Built with American Pride

Designed, engineered and assembled in the U.S.A.

Available in:



Signature Features

Quick Bake Convection

Bake faster and more evenly with Quick Bake Convection.

Quick Clean

Quickly clean your oven in 2 hours with our quick self-clean cycle.

Quick Boil

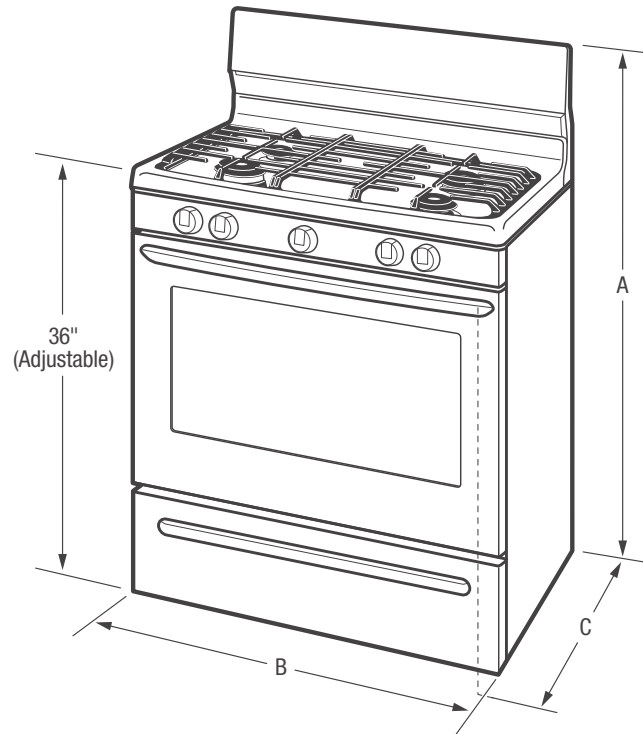
Get meals on the table faster with our 17,000 BTU burner — water boils faster than the traditional setting.

Continuous Corner-to-Corner Grates

Move heavy pots & pans without lifting with continuous corner-to-corner grates.

| Burners | BTU |
|-------------------|--------|
| Right Front | 17,000 |
| Right Rear | 5,000 |
| Left Front | 9,500 |
| Left Rear | 12,000 |
| Center Extra Zone | 9,500 |

| | |
|----------------------------------|---|
| Features | |
| Oven Control/Timing System | Ready-Select® Controls |
| Surface Type | Black Porcelain (D/S), Color-Coordinated Porcelain (W/B) |
| Sealed Gas Burners | Yes |
| Grates | Continuous Cast Iron with Black Matte Finish |
| Window | Extra-Large |
| Exterior Door Finish | Black Stainless Steel (D), Stainless Steel (S), Color-Coordinated (W/B) |
| Handle Design | Black Stainless Steel (D), Stainless Steel (S), Color-Coordinated (W/B) |
| Exterior Finish (Side Panels) | Black (D/S), Color-Coordinated (W/B) |
| Convection System | Quick Bake Convection |
| Oven Cleaning System | Self Clean |
| Drawer Functionality | Storage |
| Oven Controls | |
| Bake | Yes |
| Broil | Variable |
| Quick Bake Convection | Yes |
| Add-a-Minute | |
| Delay Start | Yes |
| Self-Clean | Yes |
| Quick Clean Option | Yes |
| Delay Clean | 2, 3 Hours |
| Kitchen Timer | Yes |
| Timed Cook Option | |
| Auto Oven Shut-Off | |
| Oven Lock-Out | Yes |
| Cooktop Features | |
| Right Front Burner (BTU) | 17,000 |
| Right Rear Burner (BTU) | 5,000 |
| Left Front Burner (BTU) | 9,500 |
| Left Rear Burner (BTU) | 12,000 |
| Center Extra Zone Burner (BTU) | 9,500 |
| Oven Features | |
| Capacity (Cu. Ft.) | 5.0 |
| Oven Light | 1 |
| Hidden Bake Element | Yes |
| Rack Configuration | 2 Standard |
| Baking System | Even Baking Technology |
| Broiling System | Vari-Broil™ Hi/Lo |
| Bake Burner/Broil Burner (BTU) | 18,000/13,500 |
| Optional Accessories | |
| LP Gas Conversion Kit | PN# GRLP4 |
| Specifications | |
| Oven Interior (H x W x D) | 18-5/8" x 24-3/8" x 19-1/8" |
| Power Supply Connection Location | Middle Bottom Rear |
| Gas Supply Connection Location | Right Bottom Rear |
| Voltage Rating | 120V / 60 Hz / 5A |
| Amps @ 120 Volts | 5 |
| Shipping Weight (Approx.) | 195 Lbs. |



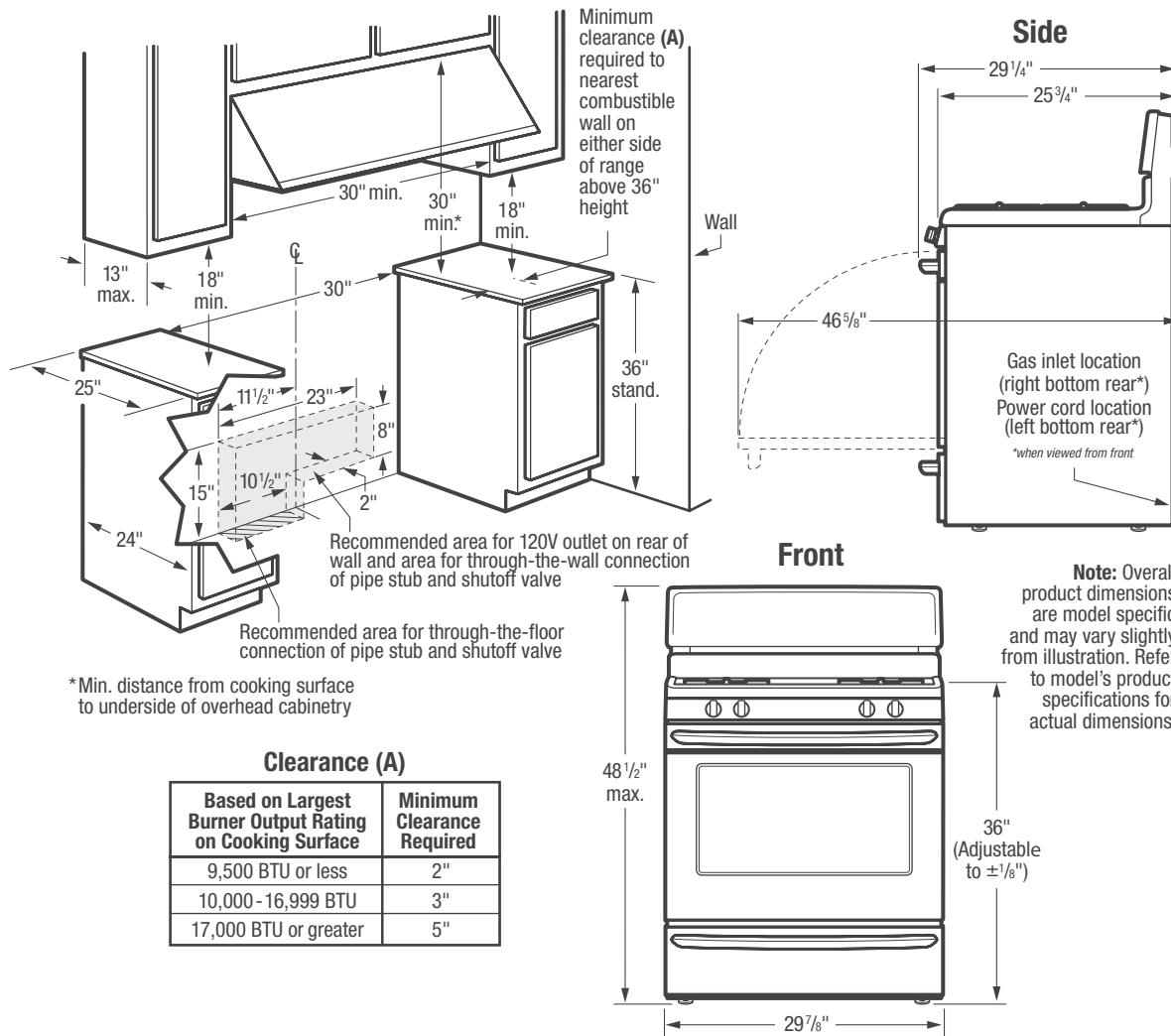
NOTE: For planning purposes only. Always consult local and national electric and gas codes. Refer to Product Installation Guide for detailed installation instructions on the web at frigidaire.com.



| Product Dimensions | |
|------------------------------|----------|
| A - Height (Max.) | 47" |
| B - Width | 29-7/8" |
| C - Depth (Including Handle) | 29-1/4" |
| Depth with Door Open 90° | 46-9/16" |

| Cabinet Cutout Dimensions | |
|---------------------------|-----|
| Height (Standard) | 36" |
| Width (Min.) | 30" |
| Depth (Min.) | 24" |

Accessories information available on the web at frigidaire.com



Note: Overall product dimensions are model specific and may vary slightly from illustration. Refer to model's product specifications for actual dimensions.

Freestanding Range Specifications

- Product Shipping Weight (approx.) - 195 Lbs.
- Voltage Rating - 120V/60 Hz/5 Amps
- Amps @ 120 Volts = 5 Amps
- Always consult local and national electric and gas codes.
- Make sure wall coverings around range can withstand heat generated by range.
- Linoleum or any other synthetic floor covering located beneath range, must be capable of withstanding minimum heat of 90°F above room temperature without shrinking, warping or discoloring. Insulating pad or 1/4"-thick plywood required between range and a carpeted floor.
- Do not obstruct flow of combustion air at oven vent nor around base or beneath lower front panel of range. Range requires fresh air for proper burner combustion.
- Do not install range beneath any downward-blowing, overhead vent hood or air curtain.
- Range ships with 3/4" factory regulator.
- Range is LP Gas convertible. (Optional LP Gas Conversion Kit available.)
- Floor beneath range MUST be solid and level.

- Overhead cabinetry should not exceed a 13" maximum depth.
- Absolute minimum horizontal distance between overhead cabinets installed to either side of appliance must be no less than maximum width of appliance.
- Range can be installed flush to wall with 0" minimum rear clearance.
- Minimum clearance required (from edge of rangetop to nearest combustible wall on either side of range above 36" height) is based on largest burner output rating on cooking surface.
- To reduce risk of fire when using overhead cabinetry, install range hood that projects horizontally a recommended minimum of 5" beyond bottom of cabinets.
- Follow all dimension requirements provided to prevent property damage, potential fire hazard, and incorrect countertop and cabinet cuts.

Note: For planning purposes only. Refer to Product Installation Guide on the web at frigidaire.com for detailed instructions.

Optional Accessories

- LP Gas Conversion Kit - (PN# GRLP4).

