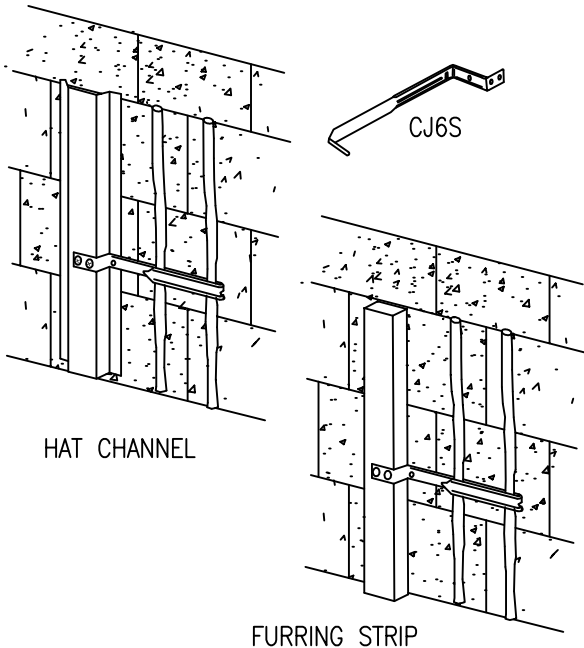
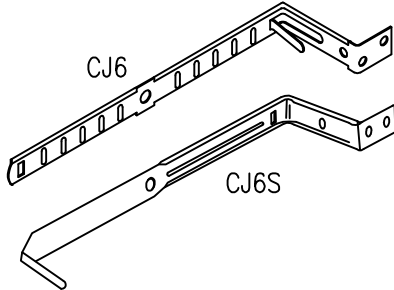


# CJ6 & CJ6S COLORADO JIM CABLE SUPPORT



## SIZING CHART

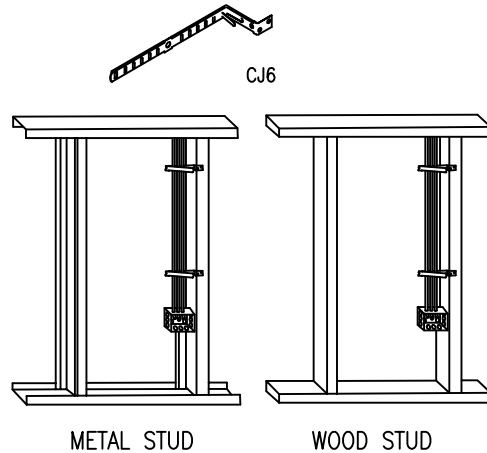
No Load Rating, For Positioning Only.

PART NUMBER	CABLE TYPE	CABLE SIZE	CABLES PER FASTENER	DESCRIPTION	BOX/CASE QUANTITY
CJ6	Romex® and Non-Metallic Sheathed Cable	14-2, 12-2, 10-2, 14-3, 12-3 and 10-3 w/ground	6 MAX.	To attach Romex Non-Metallic Sheathed Cable, AC, BX, and MC Cable to Wood or Metal Stud	100/600
		8-2 and 6-2 w/ground	4 MAX.		
CJ6S	Metal Clad (MC) Cable	14-2, 12-2, 10-2, 14-3, 12-3, 10-3, 14-4, 12-4, and 10-4 w/ground	4 MAX.		
		14-2, 12-2, 10-2, 8-2, 14-3, 12-3, 10-3, 14-4, 12-4 and 10-4 w/ground	4 MAX.		
		5/16, 3/8	4 MAX.		
	Armored Cable (AC)			Furring Strip and Hat Channel	
	Flexible Conduit (BX)				

## APPLICATION

REF. NEC 1990 ARTICLE 300-4d.

NOTE: The CJ6S Fastener is not approved to satisfy NEC 1990 Article 300-4d in all states. Contact your local inspector.



### WARNING

1. ERICO products shall be installed and used only as indicated in ERICO product instruction sheets and training materials. Instruction sheets are available at [www.erico.com](http://www.erico.com) and from your ERICO customer service representative.
2. ERICO products must never be used for a purpose other than the purpose for which they were designed or in a manner that exceeds specified load ratings.
3. All instructions must be completely followed to ensure proper and safe installation and performance.
4. Improper installation, misuse, misapplication or other failure to completely follow ERICO's instructions and warnings may cause product malfunction, property damage, serious bodily injury and death.
5. Products that are manufactured using spring steel components shall be used only in a non-corrosive indoor environment.
6. All pipe supports, hangers, intermediate components and structural attachments must ONLY be used as described herein and are NEVER to be used for any other purpose.

NOTE: All load ratings are for static conditions and do not account for dynamic loading such as wind, water or seismic loads, unless otherwise noted.

The customer is responsible for:

- a. Conformance to all governing codes.
- b. The integrity of structures to which the products are attached, including their capability of safely accepting the loads imposed, as evaluated by a qualified engineer.
- c. Using appropriate industry standard hardware as noted above.

SAFETY INSTRUCTIONS: All governing codes and regulations and those required by the job site must be observed. Always use appropriate safety equipment such as eye protection, hard hat, and gloves as appropriate to the application.  
Romex® is a Registered Trademark of General Cable Corporation  
National Electric Code (NEC) is a copyright of the National Fire Protection Association  
CADDY, CADWELD, CRITEC, ERICO, ERIFLEX, ERITECH and LENTON are registered trademarks of ERICO International Corporation.



INSTALLATION

1. Screw, staple, or nail fastener to stud.
2. Run cable.
3. Fold fastener closed. Insert tab in hole.
4. Fold tab as shown to latch fastener.
5. Optional: For a snug grip on the cables, crimp the fastener with pliers.

