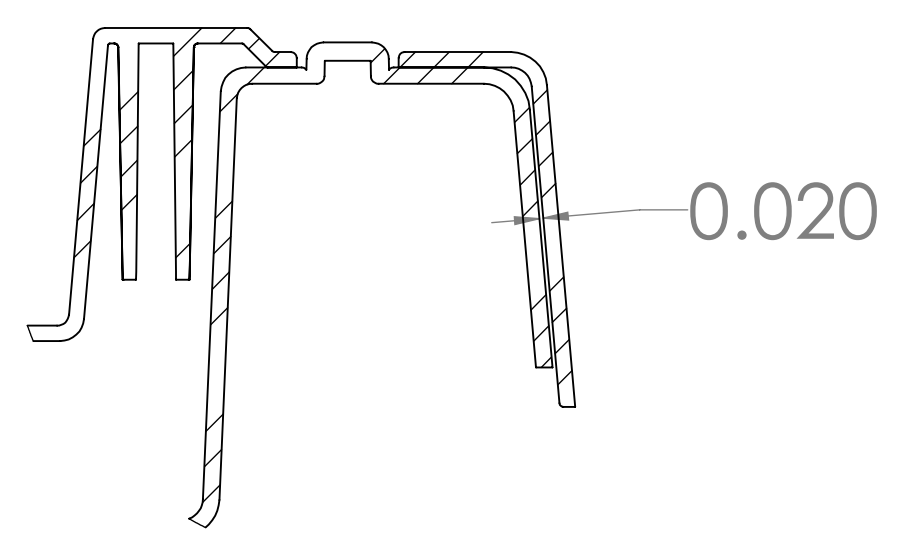
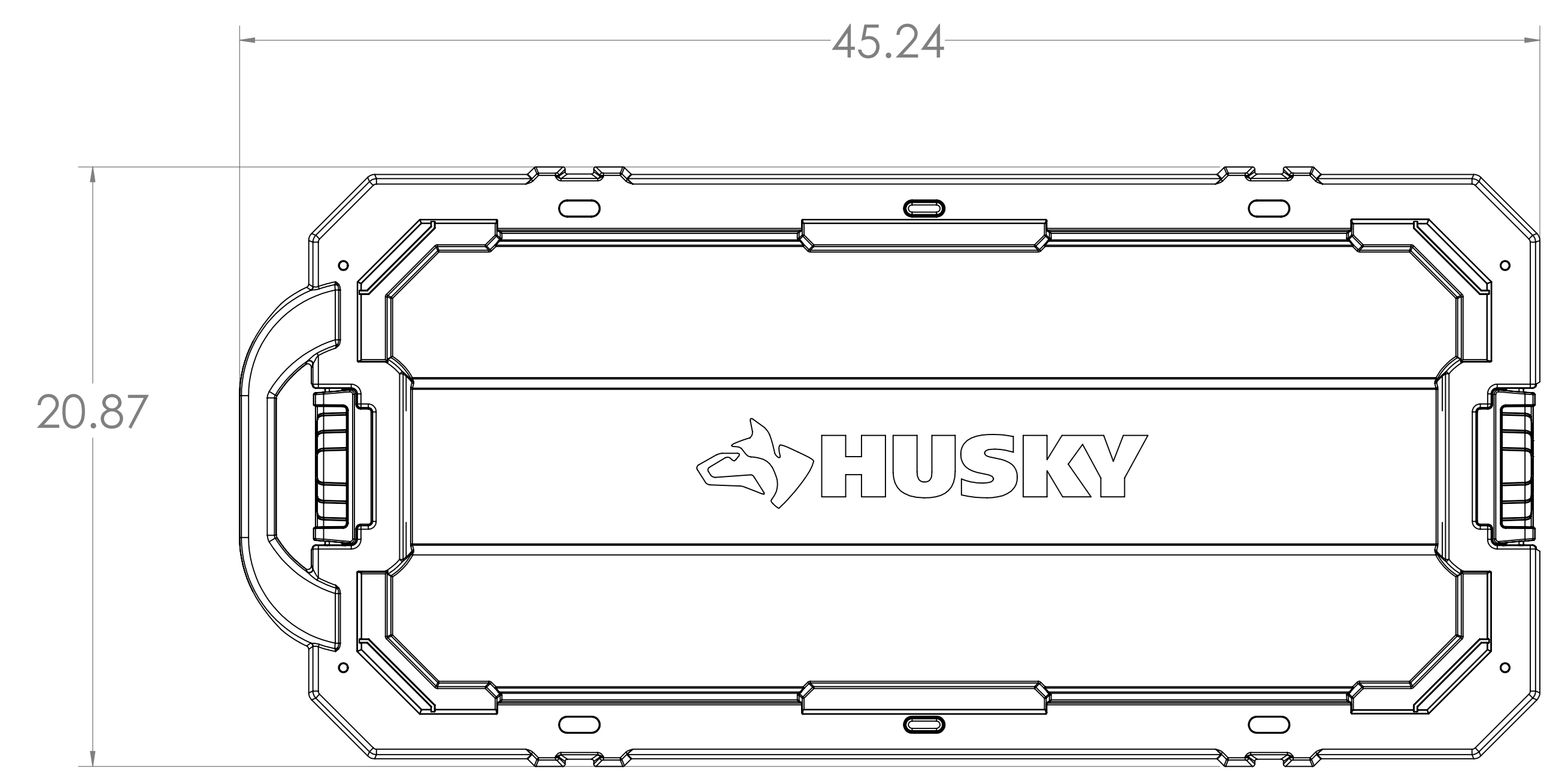
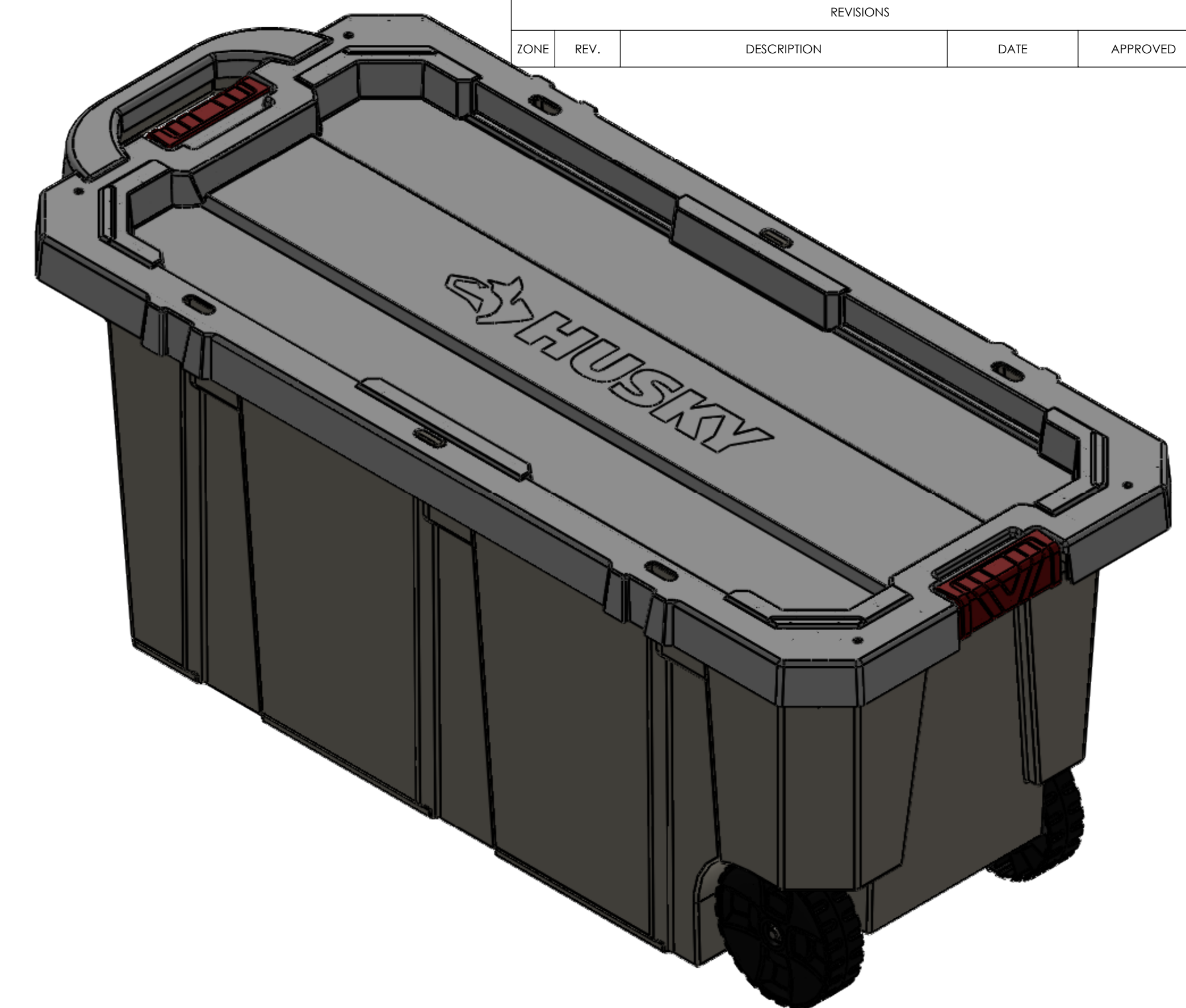
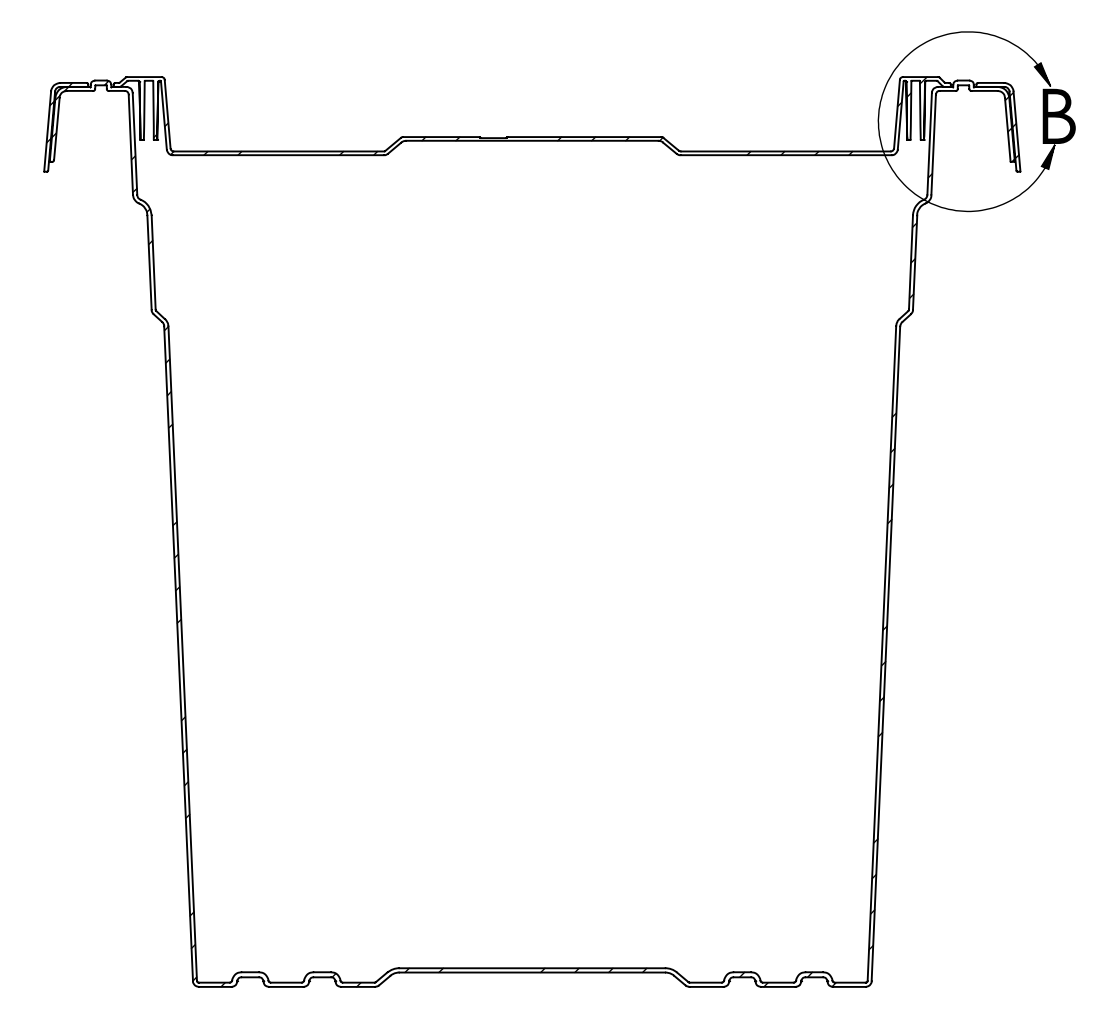


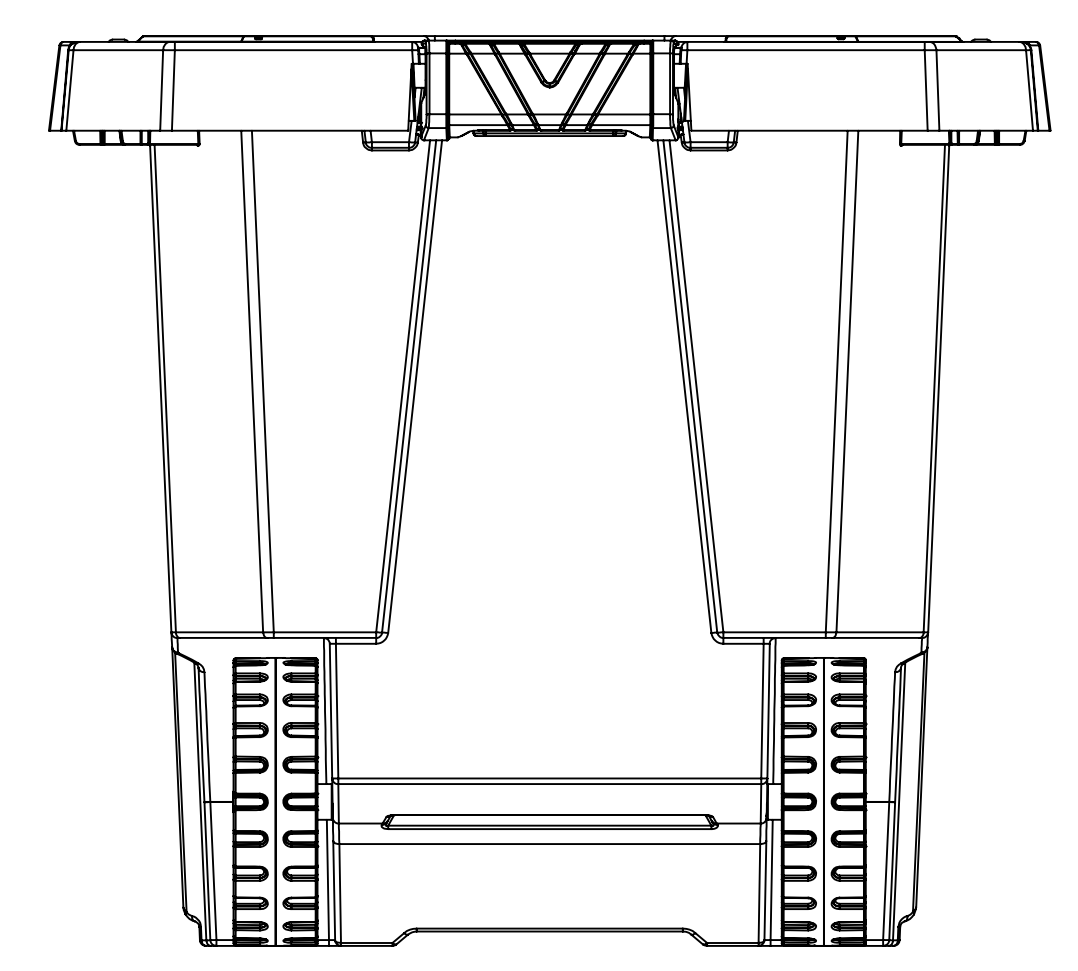
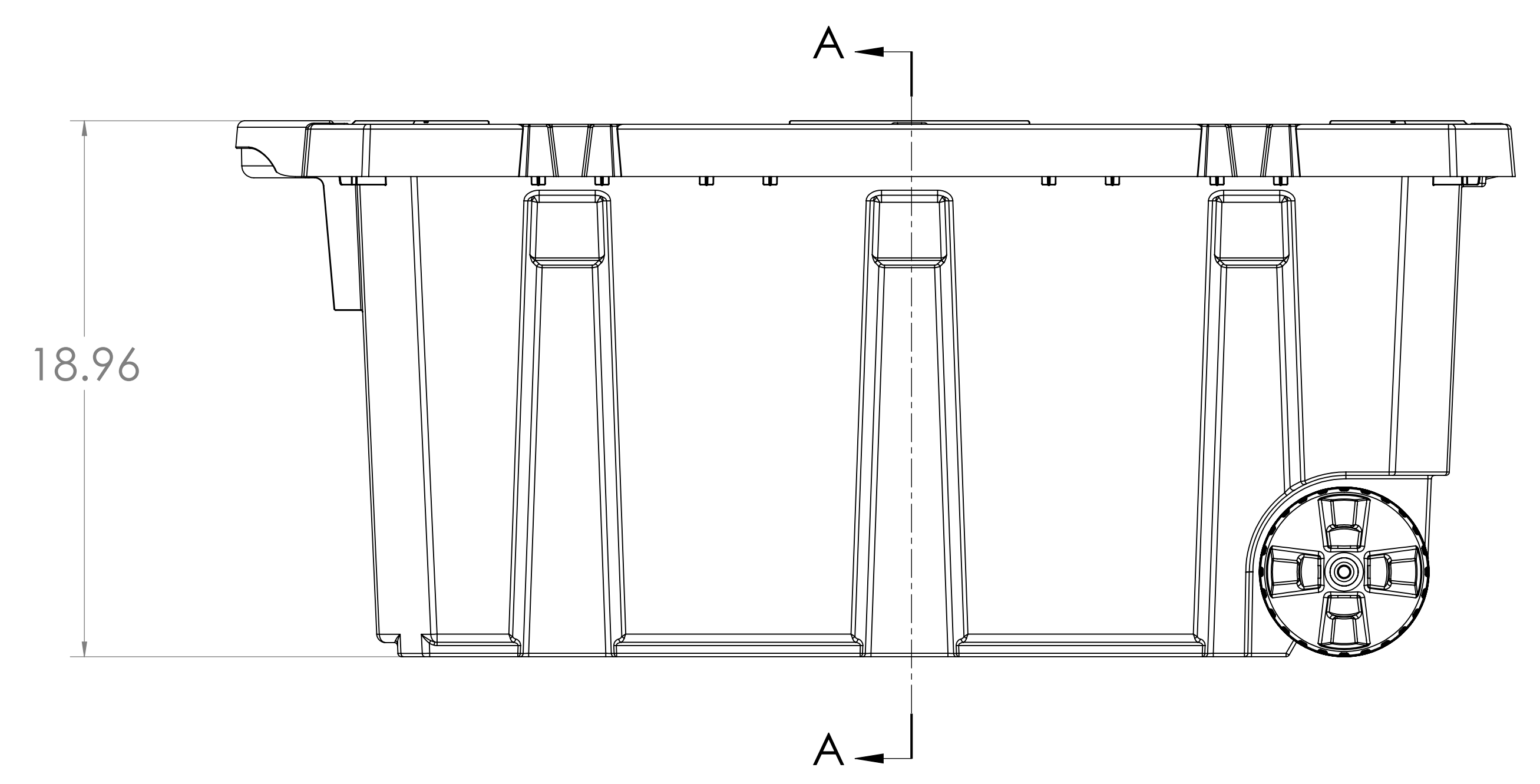
REVISIONS				
ZONE	REV.	DESCRIPTION	DATE	APPROVED



DETAIL B
SCALE 1:1



SECTION A-A



ITEM NO.	DESCRIPTION	QTY.
1	45 Gallon Bin With Latch	1
2	45 Gallon Lid	1
3	45 Gallon Bin - Wheel	2
4	Latch Handle	2

PROPRIETARY AND CONFIDENTIAL
THE INFORMATION CONTAINED IN THIS DRAWING IS THE SOLE PROPERTY OF CREATIVE PLASTICS CONCEPTS. ANY REPRODUCTION IN PART OR AS A WHOLE WITHOUT THE WRITTEN PERMISSION OF CREATIVE PLASTICS CONCEPTS IS PROHIBITED.

UNLESS OTHERWISE SPECIFIED:	NAME	DATE
DIMENSIONS ARE IN INCHES		
TOLERANCES:		
FRACTIONAL ±	DRAWN	
ANGULAR MATCH ±	CHECKED	
TWO PLACE DECIMAL ±	ENG APPR.	
THREE PLACE DECIMAL ±	MFG APPR.	
	Q.A.	
	COMMENTS:	
INTERPRET GEOMETRIC TOLERANCING PER:		
MATERIAL		
PP Homopolymer		
FINISH		
NEXT ASSY	USED ON	
APPLICATION		

CREATIVE PLASTIC
C.O.P.C.®

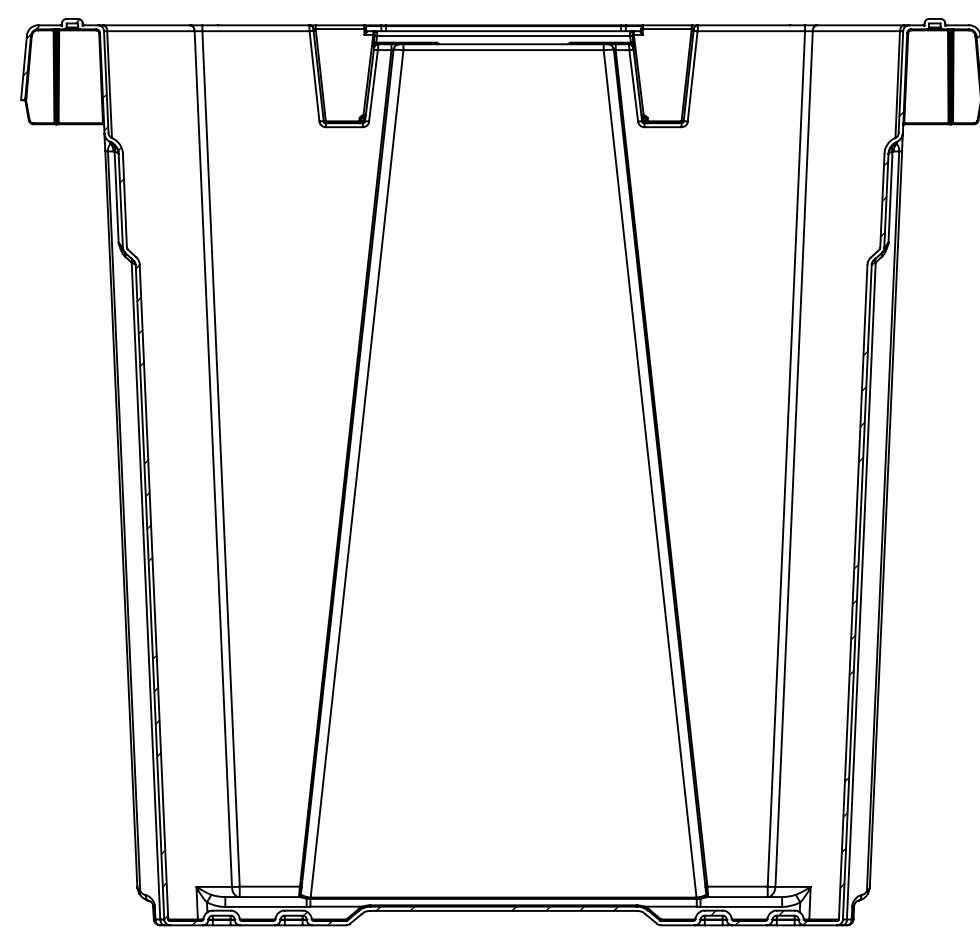
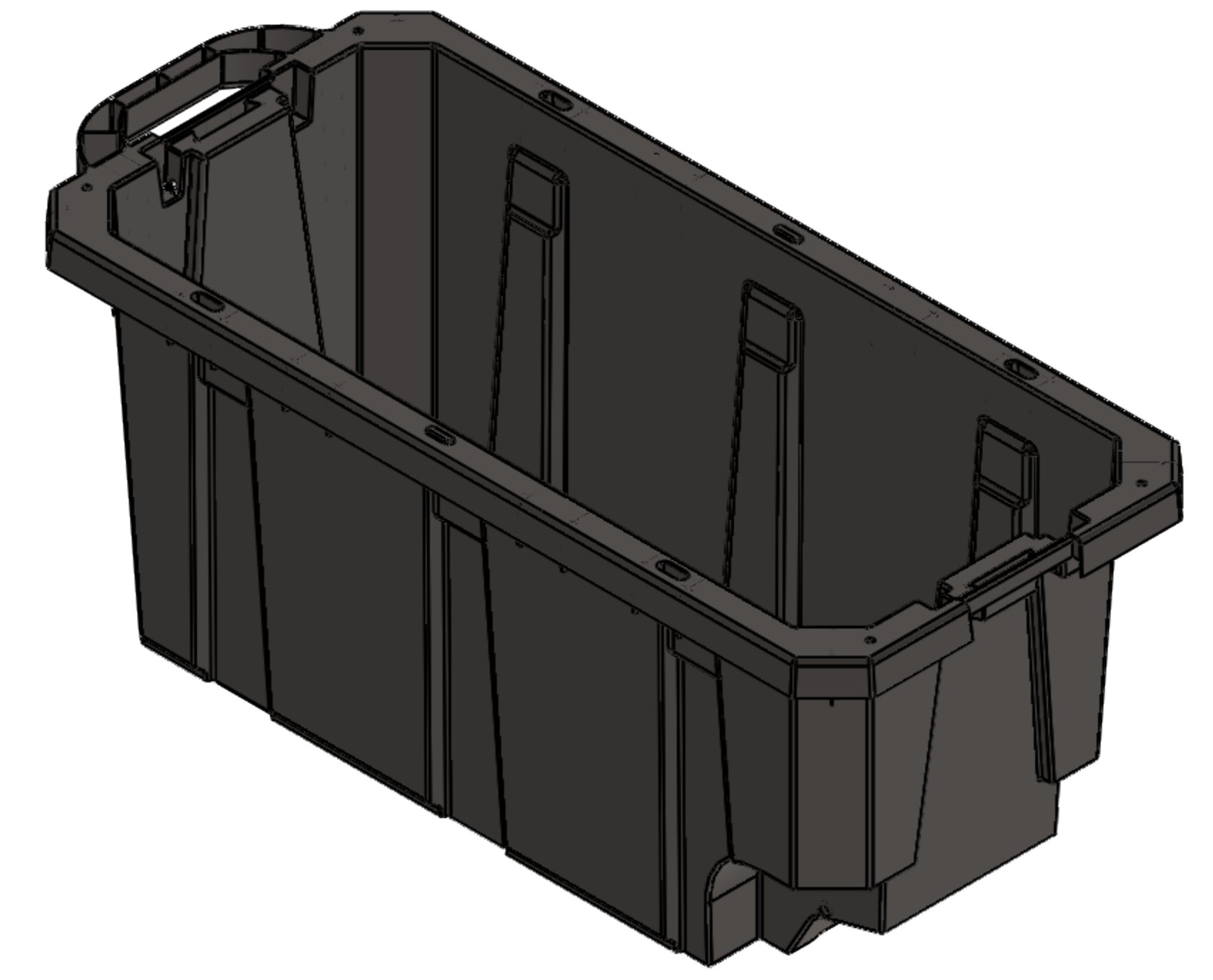
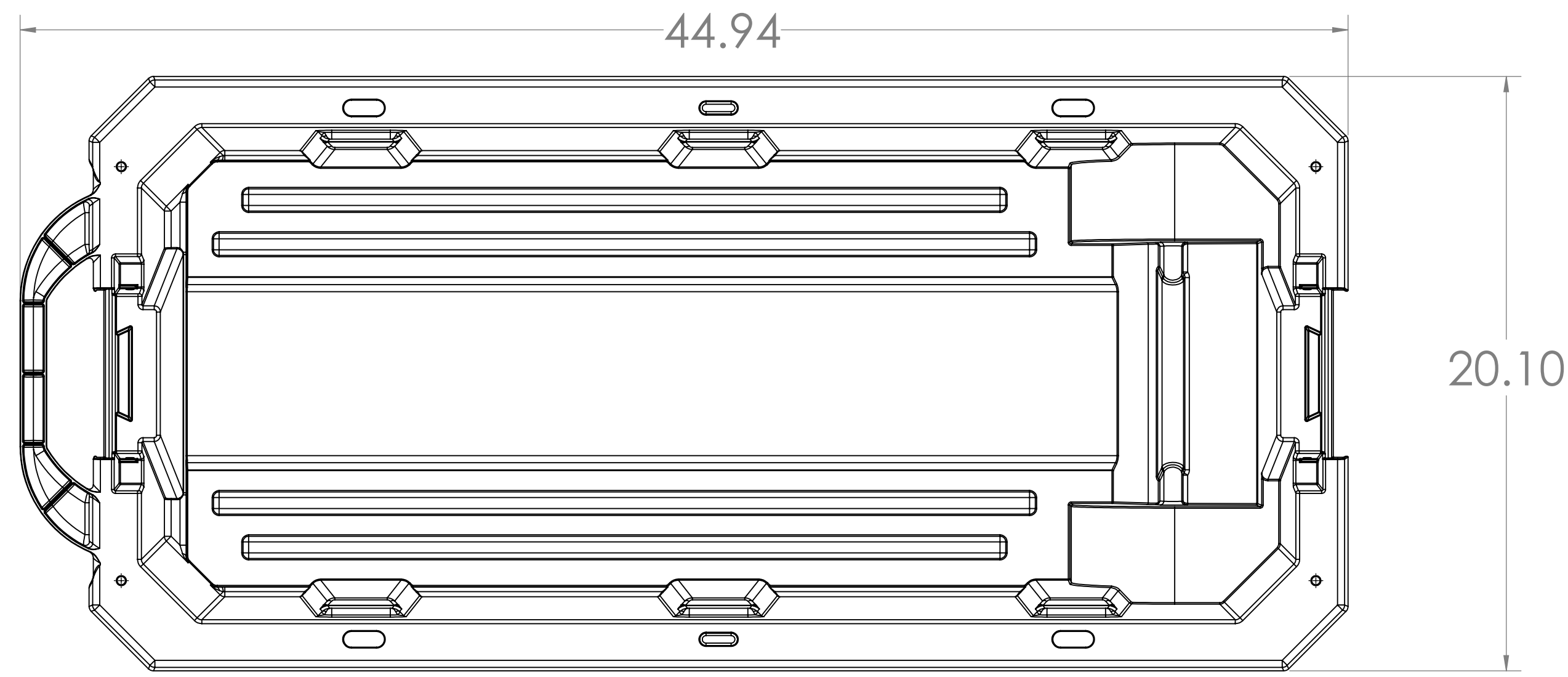
TITLE:
45 Gallon Bin and Lid Assembly

SIZE DWG. NO. REV
D 7814_45 Gallon Bin and Lid Assembly_Home Depot

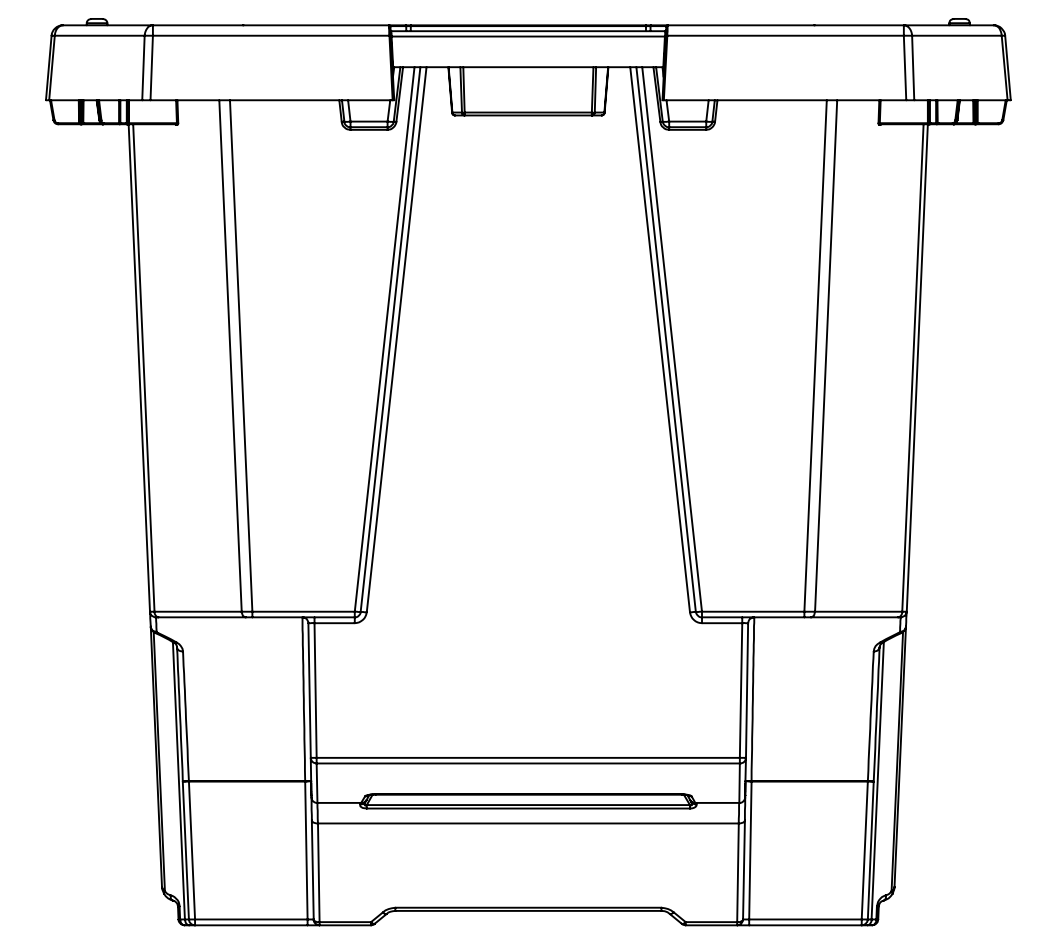
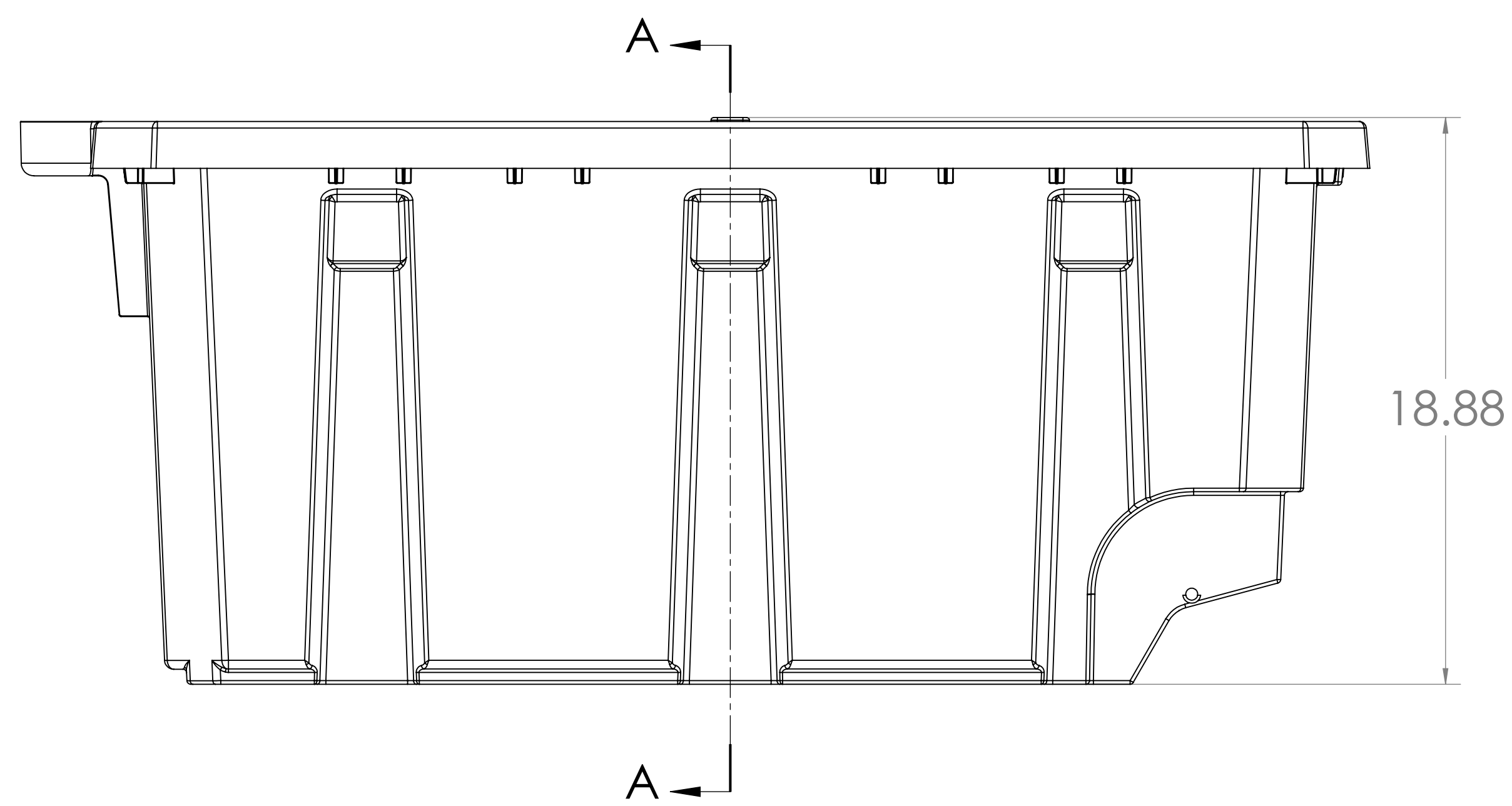
SCALE: 1:4 WEIGHT: SHEET 1 OF 1

7814_45 Gallon Bin and Lid Assembly_Home Depot

REVISIONS				
ZONE	REV.	DESCRIPTION	DATE	APPROVED



SECTION A-A



Bin Holding Volume: 45.28 Gallons

PROPRIETARY AND CONFIDENTIAL
 THE INFORMATION CONTAINED IN THIS DRAWING IS THE SOLE PROPERTY OF CREATIVE PLASTICS CONCEPTS. ANY REPRODUCTION IN PART OR AS A WHOLE WITHOUT THE WRITTEN PERMISSION OF CREATIVE PLASTICS CONCEPTS IS PROHIBITED.

UNLESS OTHERWISE SPECIFIED:	NAME	DATE
DIMENSIONS ARE IN INCHES	DRAWN	
TOLERANCES:	CHECKED	
FRACTIONAL ±	ENG APPR.	
ANGULAR MATCH ±	MFG APPR.	
TWO PLACE DECIMAL ±	Q.A.	
THREE PLACE DECIMAL ±	COMMENTS:	
INTERPRET GEOMETRIC TOLERANCING PER:		
MATERIAL		
PP Homopolymer		
FINISH		
NEXT ASSY		
USED ON		
APPLICATION		

ITEM NO.	DESCRIPTION	QTY.
1	45 Gallon Bin With Latch	1



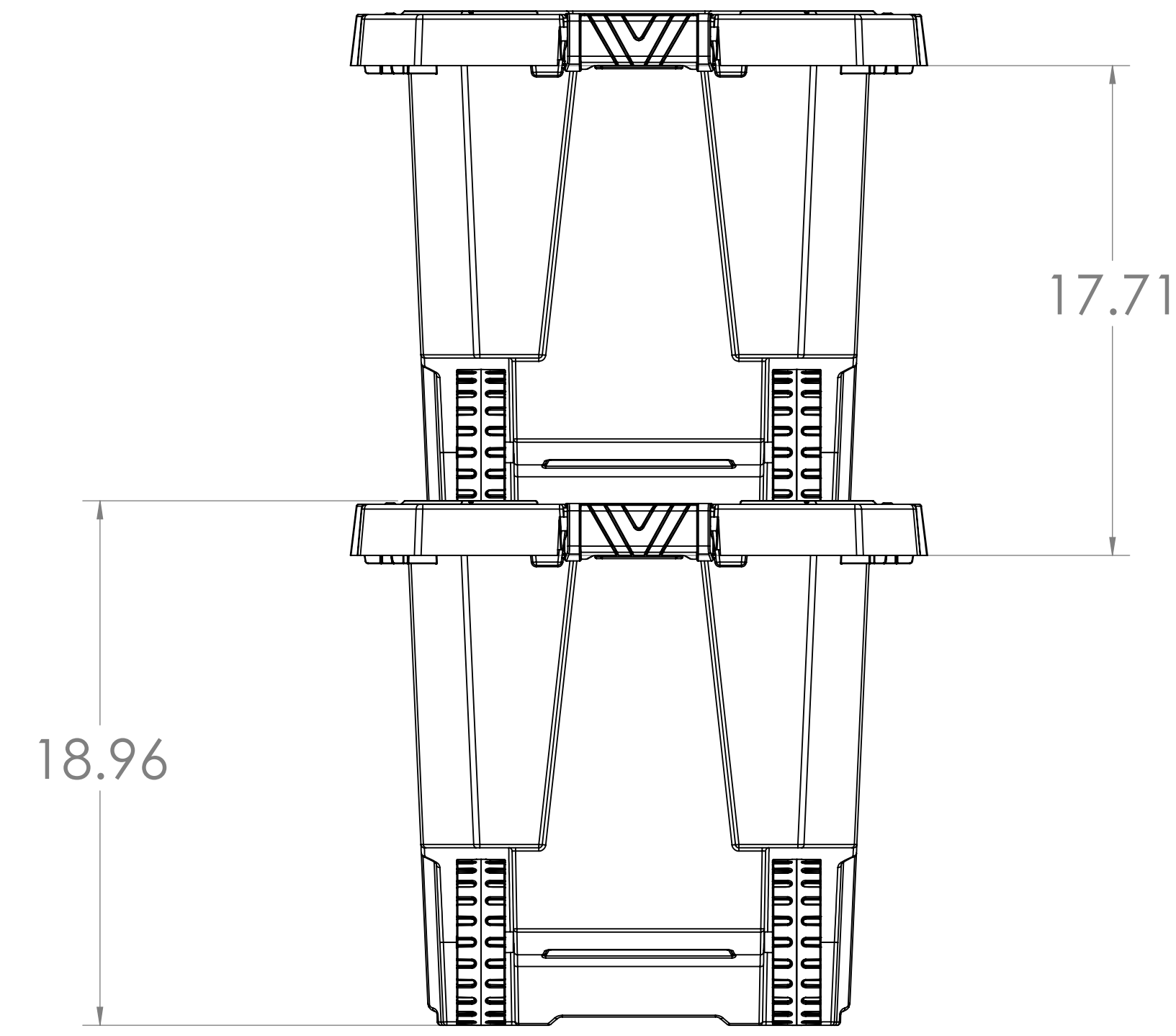
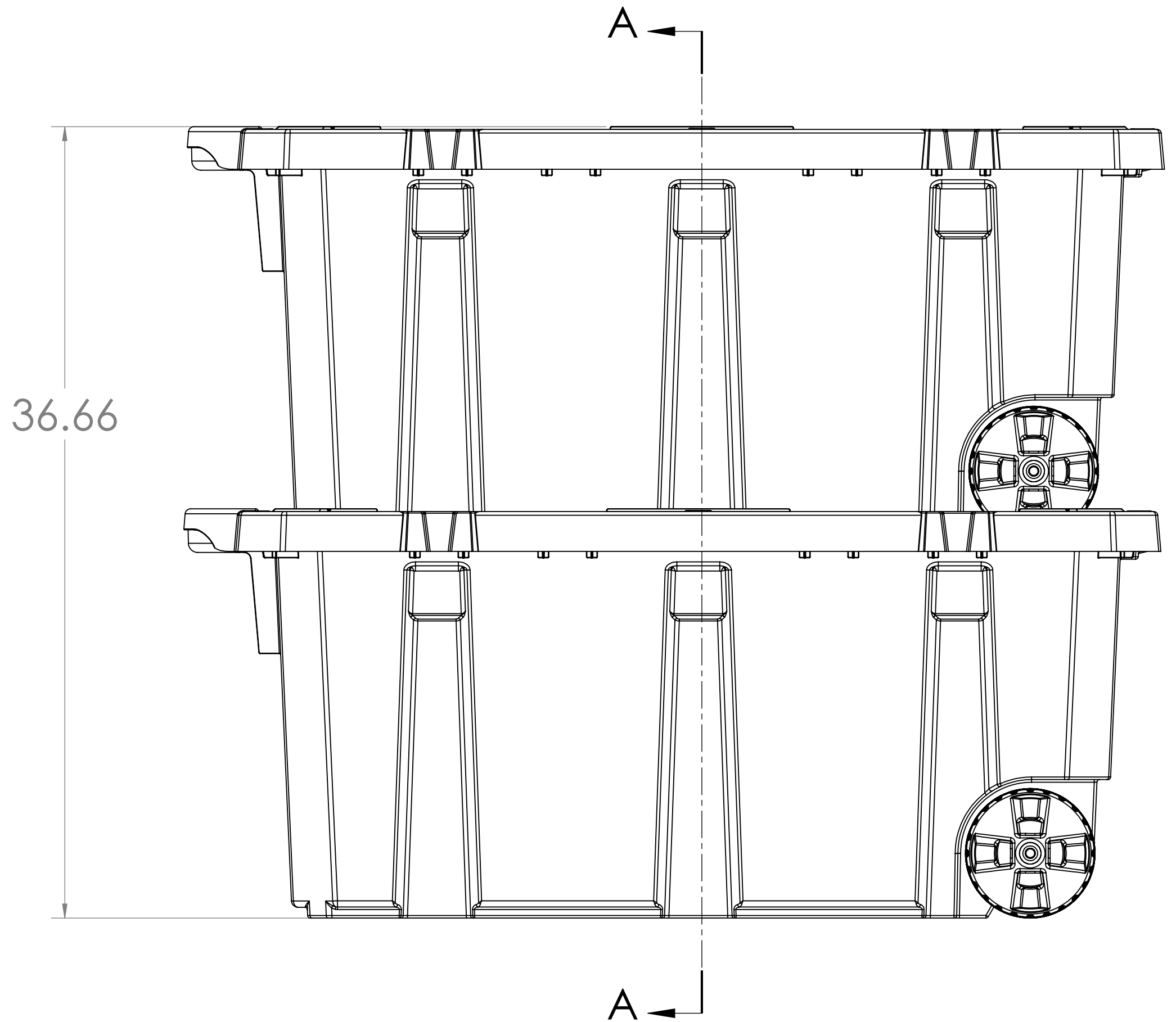
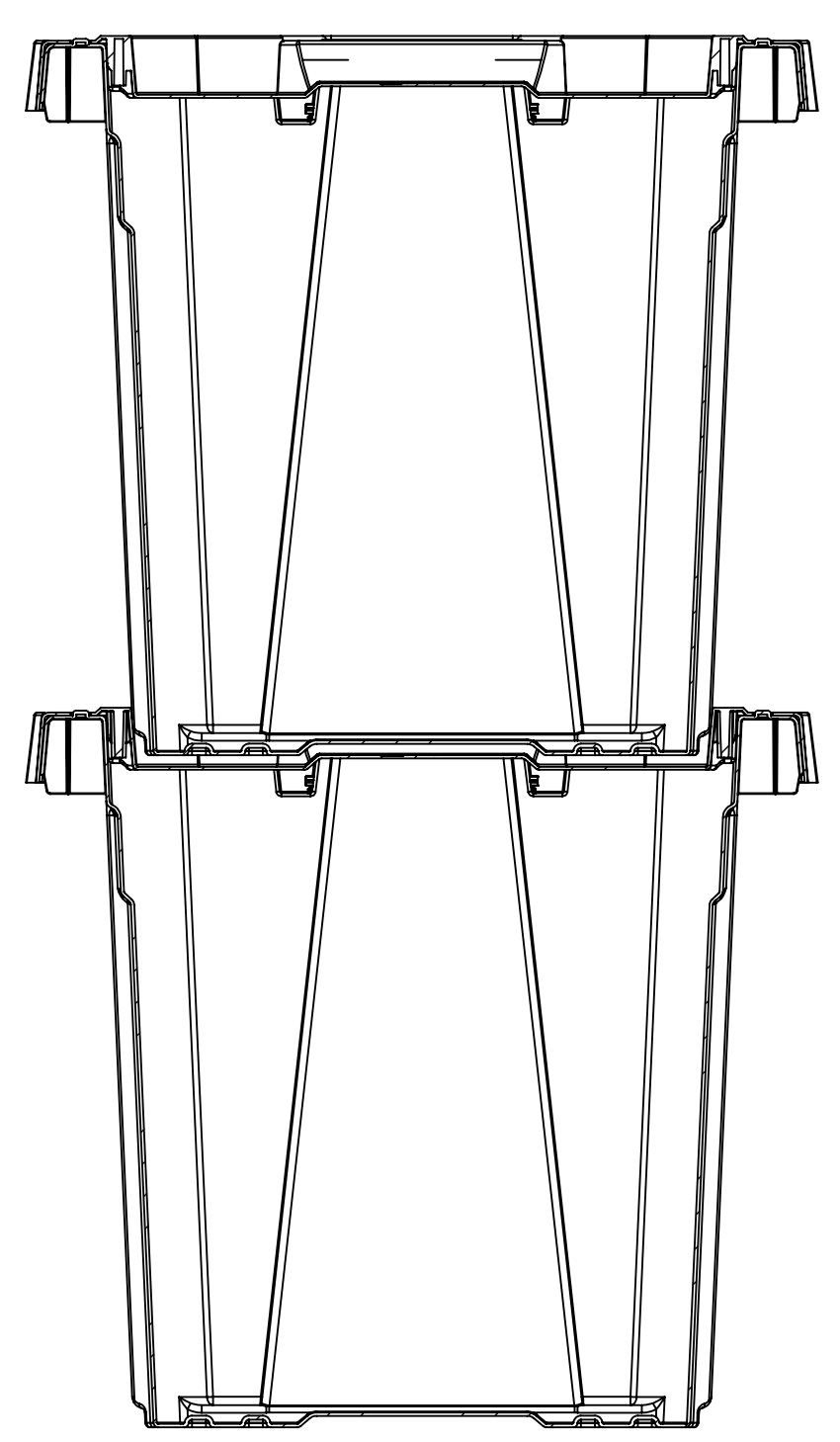
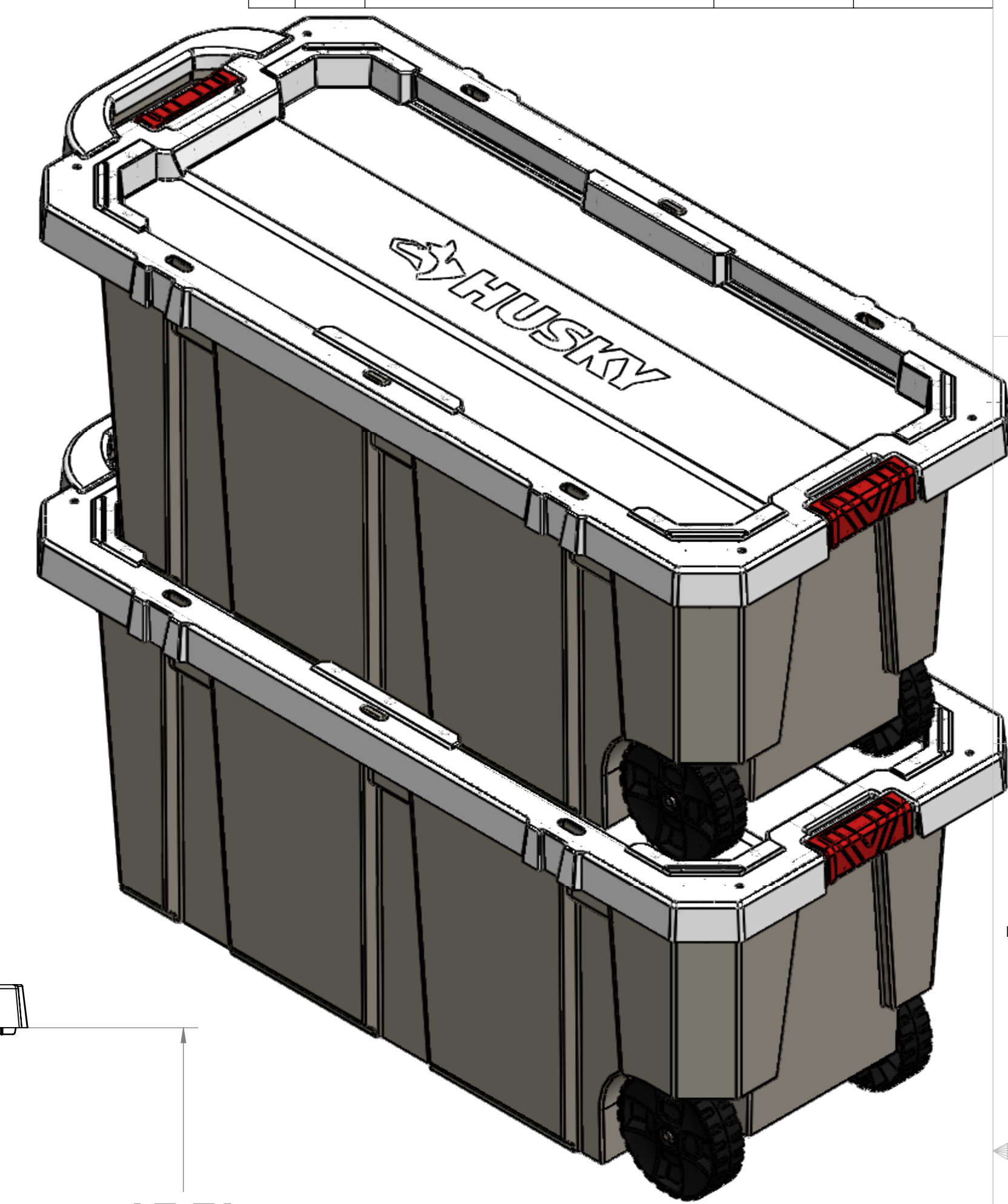
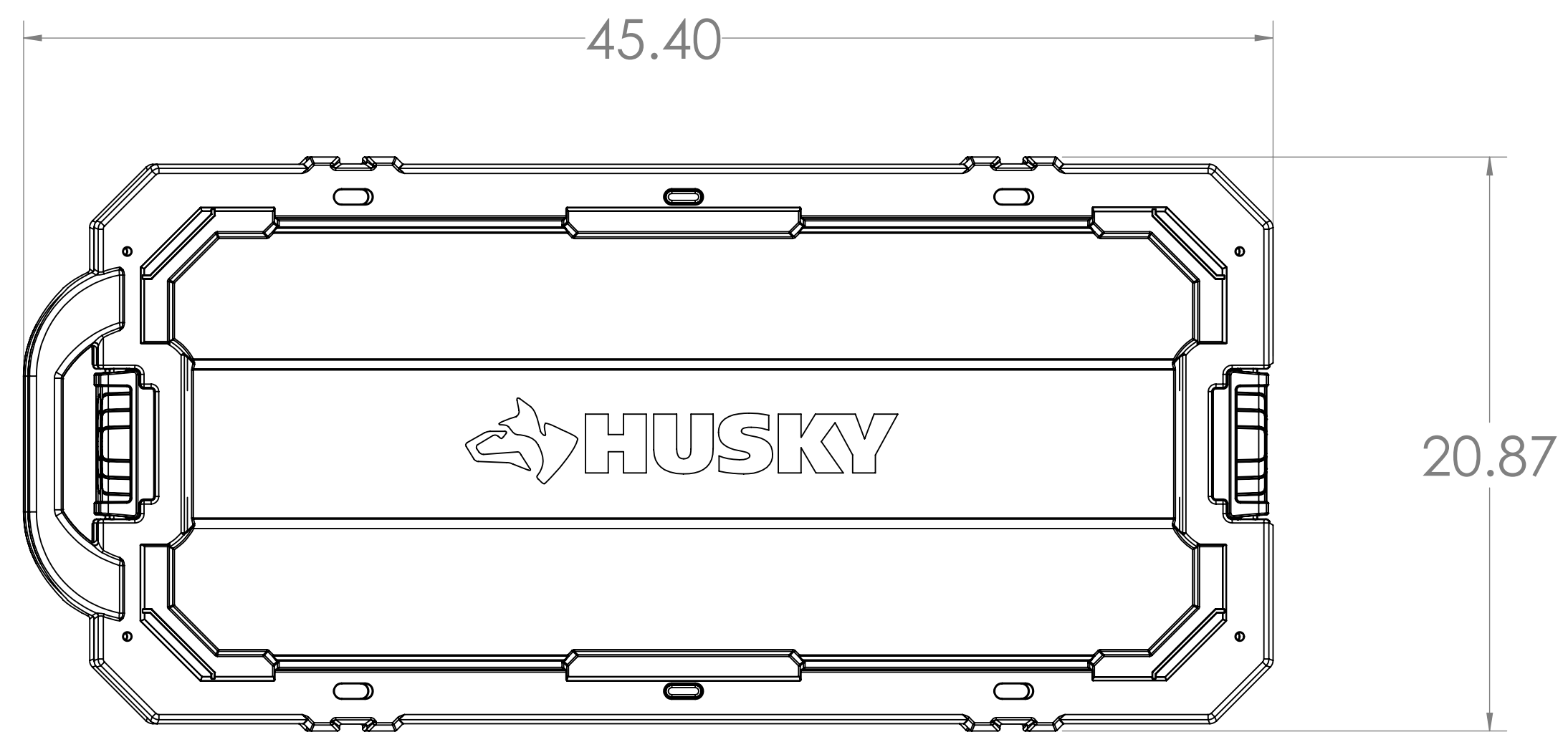
TITLE:
45 Gallon Bin With Latch

SIZE DWG. NO. REV
D 7814_45 Gallon Bin_Home Depot

SCALE: 1:4 WEIGHT: SHEET 1 OF 1

7814_45 Gallon Bin_Home Depot

REVISIONS				
ZONE	REV.	DESCRIPTION	DATE	APPROVED



18.96

SECTION A-A
SCALE 1 : 5

ITEM NO.	PART NUMBER	DESCRIPTION	QTY.
1	7814_45 Gallon Bin	45 Gallon Bin With Latch	2
2	7814_Husky Modular Tote 45 Gallon Lid_Modified for stacking	45 Gallon Lid	2
3	45 gallon wheel_Concept 1	45 Gallon Bin - Wheel	4
4	Husky Modular Tote Handle Concept 10	Latch Handle	4

UNLESS OTHERWISE SPECIFIED:	NAME	DATE
DRAWN		
CHECKED		
ENG APPR.		
MFG APPR.		
Q.A.		
COMMENTS:		

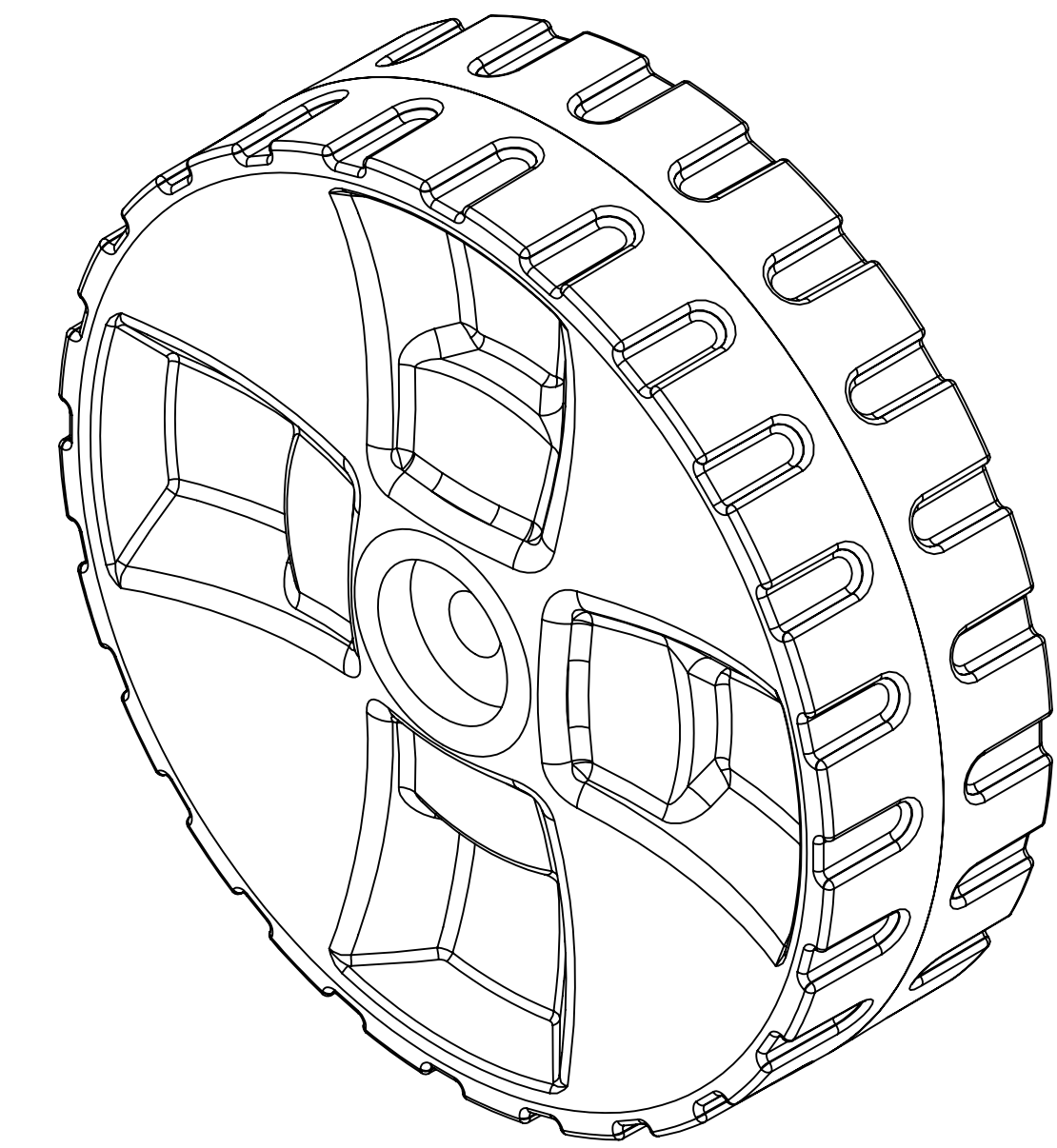
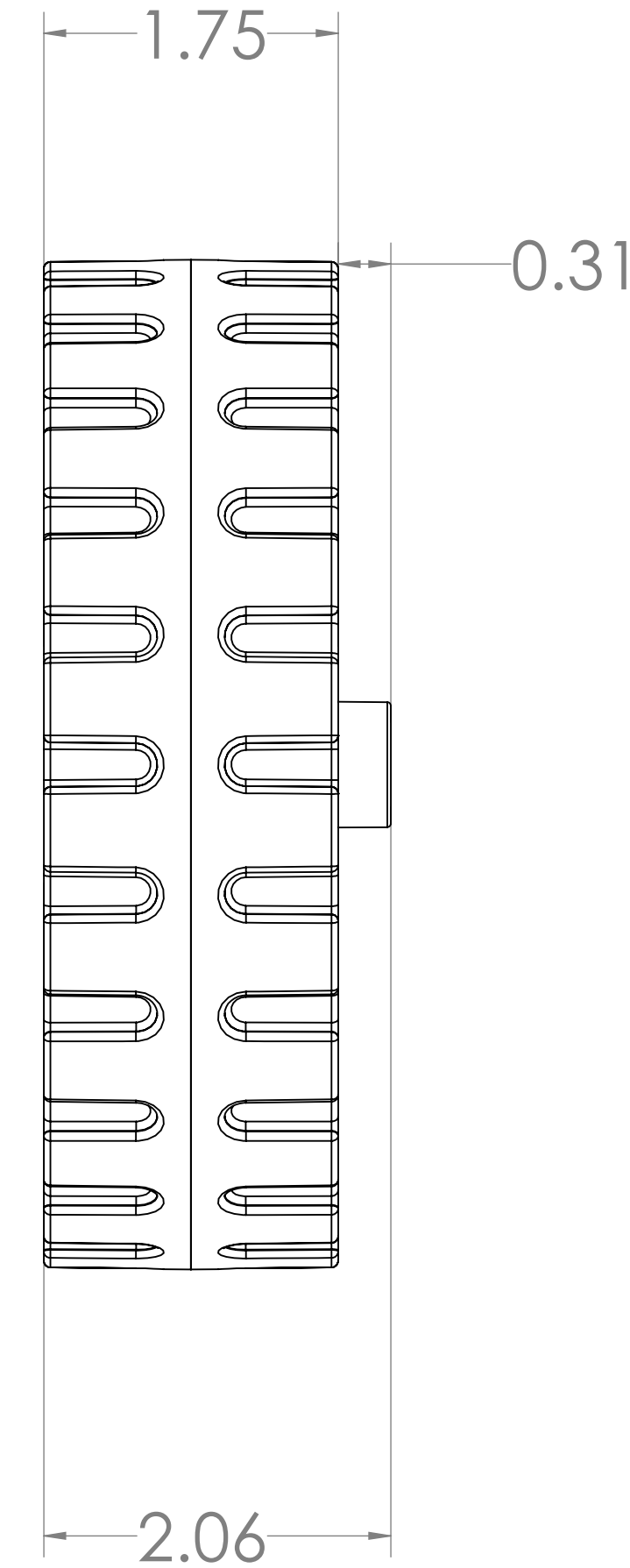
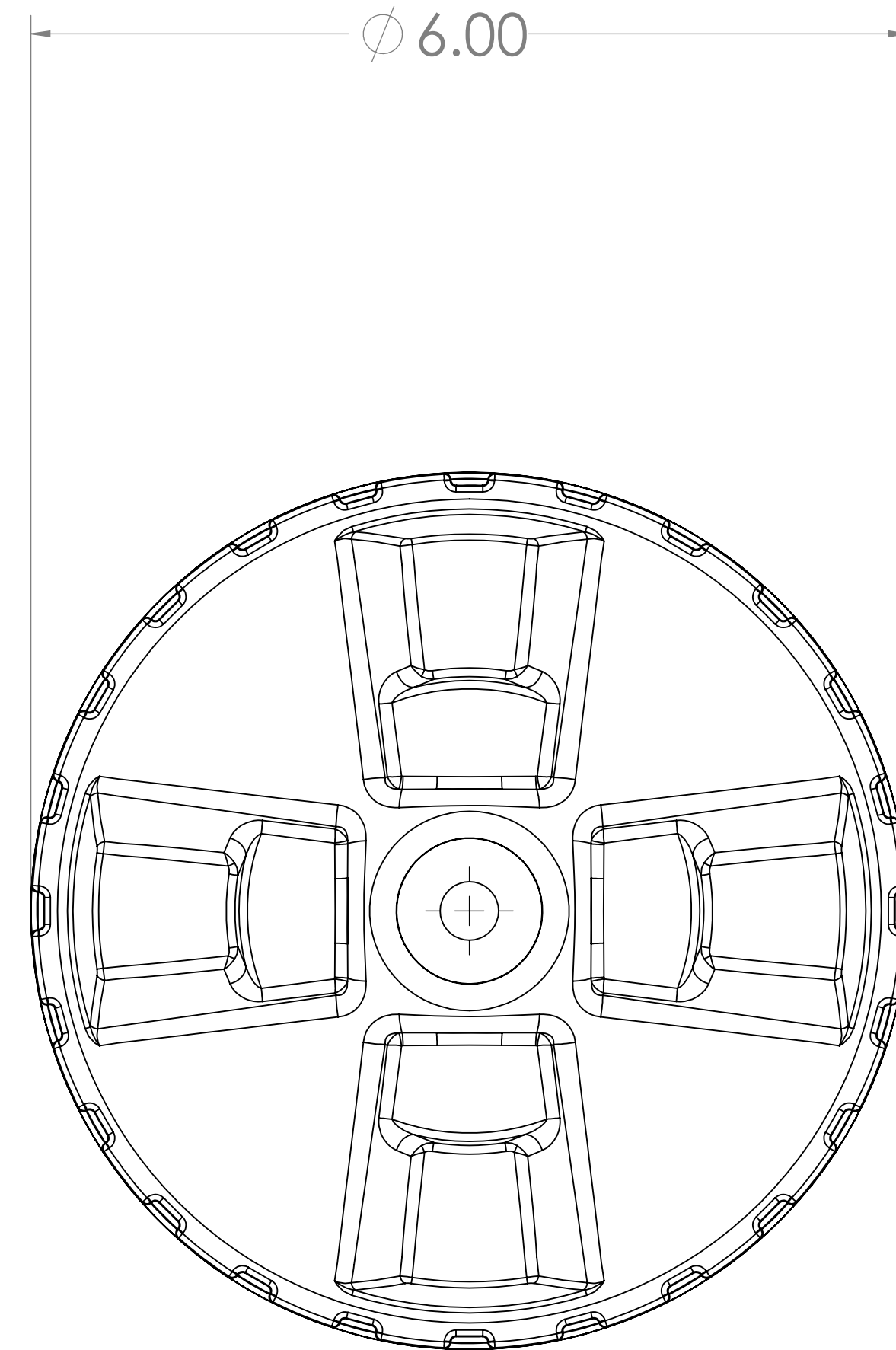
PROPRIETARY AND CONFIDENTIAL
THE INFORMATION CONTAINED IN THIS DRAWING IS THE SOLE PROPERTY OF CREATIVE PLASTICS CONCEPTS. ANY REPRODUCTION IN PART OR AS A WHOLE WITHOUT THE WRITTEN PERMISSION OF CREATIVE PLASTICS CONCEPTS IS PROHIBITED.

MATERIAL: PP Homopolymer
FINISH: _____
APPLICATION: _____

CREATIVE PLASTICS
C.O.C.P.C.
TITLE:
45 Gallon Bin and Lid Stacked
SIZE DWG. NO. REV
D 45 Gallon Bin and lid Assembly_Stacking_Home Depot
SCALE: 1:8 WEIGHT: SHEET 1 OF 1

45 Gallon Bin and Lid Assembly_Stacking_Home Depot

REVISIONS				
ZONE	REV.	DESCRIPTION	DATE	APPROVED



PROPRIETARY AND CONFIDENTIAL
 THE INFORMATION CONTAINED IN THIS DRAWING IS THE SOLE PROPERTY OF CREATIVE PLASTICS CONCEPTS. ANY REPRODUCTION IN PART OR AS A WHOLE WITHOUT THE WRITTEN PERMISSION OF CREATIVE PLASTICS CONCEPTS IS PROHIBITED.

UNLESS OTHERWISE SPECIFIED:	NAME	DATE
DIMENSIONS ARE IN INCHES	DRAWN	
TOLERANCES:	CHECKED	
FRACTIONAL ±	ENG APPR.	
ANGULAR MATCH ±	MFG APPR.	
TWO PLACE DECIMAL ±	Q.A.	
THREE PLACE DECIMAL ±	COMMENTS:	
INTERPRET GEOMETRIC TOLERANCING PER:		
MATERIAL		
PP Homopolymer		
FINISH		
NEXT ASSY	USED ON	
APPLICATION		

CREATIVE PLASTIC
C.O.P.C.

TITLE: 45 Gallon Bin - Wheel

SIZE DWG. NO. REV
D 45 Gallon Husky Wheel_Final Tool Data_June 14th 2017

SCALE: 1:1 WEIGHT: 0.41 SHEET 1 OF 1

45 Gallon Husky Wheel_Final Tool Data_June 14th 2017