

Sump, Effluent and Sewage pumps

INSTALLATION MANUAL

Read and save these instructions. This manual contains very important Safety Warnings and Operating Instructions. You will need to refer to it before attempting any installation or maintenance. Always keep this manual with the unit so that it will be easily accessible. Failure to read and follow these warnings and instructions could result in property damage, serious injury or death.

DESCRIPTIONS

SUMP PUMPS

Sump pumps are automatic pumps used to remove ground water from sump pits. The most common application is for basement drainage to prevent flooding in residential buildings. These sumps are designed to pump clear water only.

EFFLUENT PUMPS

Effluent pumps are pumps used to remove grey water from septic tanks, sump pits or laundry tray systems. Grey water is waste water from bathtubs, sinks, washing machines, and other kitchen appliances. The pumps are designed to pass solids 1/2 to 3/4 inches in diameter.

SEWAGE PUMPS

Sewage pumps are pumps used to remove waste water that contains solids up to 2 inches in diameter. The most common application is for draining bathroom waste water to a sewer or septic line.

UNPACKING

Inspect your pump. Occasionally, products are damaged during shipment. If the unit is damaged, contact our Customer Service department at the number listed on the parts and warranty sheet.

READ & FOLLOW ALL INSTRUCTIONS

SAVE THESE INSTRUCTIONS — DO NOT DISCARD

SAFETY GUIDELINES

This manual contains information that is very important to know and understand. This information is provided for SAFETY and to PREVENT EQUIPMENT PROBLEMS. To help recognize this information, observe all safety information labeled danger, warning, caution, and notice.

IMPORTANT SAFETY INFORMATION

WARNING

WARNING INDICATES A POTENTIALLY HAZARDOUS SITUATION WHICH, IF NOT AVOIDED, COULD RESULT IN DEATH OR SERIOUS INJURY.

RISK OF ELECTRIC SHOCK. TO REDUCE THIS RISK, OBSERVE THE FOLLOWING WARNINGS:



MAKE SURE THERE IS A PROPERLY GROUNDED RECEPTACLE AVAILABLE. This pump is supplied with a grounding conductor and grounding-type attachment plug. To reduce the risk of electric shock, be certain that it is connected only to a properly grounded, grounding-type receptacle.

NEVER REMOVE THE GROUND PRONG from the plug or bypass the grounding wires.

FOR ADDED SAFETY the receptacle should be protected with a ground fault circuit interrupter (GFCI). All wiring must be performed by a qualified licensed electrician and comply with the National Electric Code and all applicable local codes and ordinances.

DO NOT REMOVE POWER SUPPLY CORD and strain relief or connect conduit directly to the pump.

MAKE SURE THE POWER SUPPLY HAS A FUSE OR CIRCUIT BREAKER rated to handle the current (amps) noted on the pump nameplate or cordtag.

DO NOT USE AN EXTENSION CORD. Extension cords could present a safety hazard if not sized properly, become damaged or the connection falls into the sump. If receptacle is not within reach of the pump's power cord, contact a qualified licensed electrician to install a new receptacle.

ALWAYS DISCONNECT THE PUMP from power supply before installing, servicing or making any adjustments.

DO NOT SUBMERGE PEDESTAL MOTOR or allow motor to be exposed to water.

DO NOT WALK on the floor when water is present until all power is turned off. If the electric panel is in the basement, call an electrician.

NEVER HANDLE A PUMP or motor with wet hands or when standing on a wet or damp floor while the pump is plugged into the power supply.

WASH HANDS AFTER HANDLING. According to the state of California (Prop 65), this product may contain chemicals known to the state of California to cause cancer and birth defects or other reproductive harm.

RISK OF ELECTRIC SHOCK. This pump has not been investigated for use in swimming pool and marine areas.

DO NOT USE TO PUMP FLAMMABLE OR EXPLOSIVE FLUIDS such as gasoline, fuel oil, kerosene, etc. Do not use in a flammable and/or explosive atmosphere. Pump should only be used to pump clear water. Personal injury and/or property damage could result.

PUMPS ARE NOT DESIGNED TO TRANSFER WATER INTENDED FOR DRINKING. Do not use the pump for moving water that will be used for potable/drinking water. Pump should only be used in applications for which it is designed.

INSTALLATION MANUAL

⚠ CAUTION

CAUTION INDICATES A POTENTIALLY HAZARDOUS SITUATION WHICH, IF NOT AVOIDED, MAY RESULT IN MINOR OR MODERATE INJURY.

TO REDUCE THE RISK OF HAZARDS THAT CAN CAUSE INJURY OR PROPERTY DAMAGE, OBSERVE THE FOLLOWING WARNINGS:



IF THIS PUMP CONTAINS A SWITCH FOR AUTOMATIC OPERATION, IT IS THE INSTALLER'S RESPONSIBILITY TO MAKE SURE THE SWITCH IS ABLE TO OPERATE WITHOUT ANY OBSTRUCTIONS WITHIN THE BASIN. It is recommended that the installer test and observe the pump's operation for several cycles after installation.

IT IS RECOMMENDED TO USE RIGID PIPING AND FITTINGS to secure the pump in the basin and reduce pump movement. Pump movement can prevent the switch from operating correctly.

THIS PUMP SHOULD BE INSPECTED 3 TO 4 TIMES PER YEAR for pump movement or buildup of debris on the switch or float. Reposition pump if it has moved. Remove any debris that could interfere with the operation of the switch.

IT IS RECOMMENDED TO USE A CHECK VALVE with this pump to prevent the back-flow of fluid after each pump cycle.

DO NOT INSTALL OR OPERATE THE PUMP IF IT HAS BEEN DAMAGED IN ANY WAY.

DO NOT LIFT OR CARRY THE PUMP BY THE POWER CORD. Use the pump's handle.

DO NOT USE THIS PUMP IN MUD, SAND, CEMENT, OIL OR CHEMICALS.

DO NOT USE SUMP AND EFFLUENT PUMPS TO HANDLE RAW SEWAGE.

AN INDEPENDENT HIGH WATER ALARM OR BACK UP PUMP SHOULD BE USED when risk of property damage from high water levels exists

THE SWITCH SHOULD BE REPLACED EVERY TWO (2) YEARS. This maintenance will reduce the risk of improper pump operation, switch failure, or flooding.

TYPICAL SUMP INSTALLATION DIAGRAMS

Figure 1: Submersible Sump

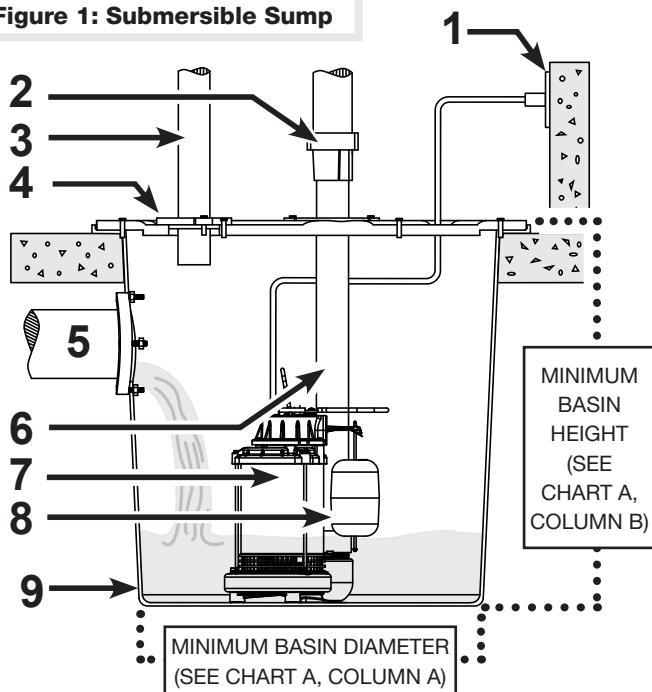
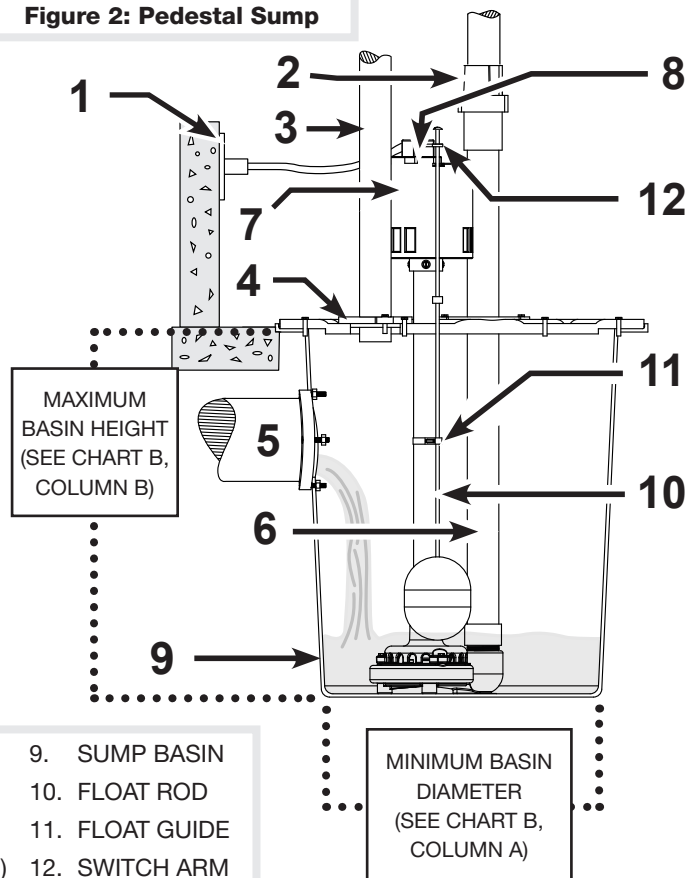


Figure 2: Pedestal Sump



- | | | |
|---------------------|------------------------------------|-----------------|
| 1. GFCI OUTLET | 5. PIPE INLET | 9. SUMP BASIN |
| 2. CHECK VALVE | 6. DISCHARGE PIPE | 10. FLOAT ROD |
| 3. VENT PIPE | 7. SUMP PUMP | 11. FLOAT GUIDE |
| 4. GASKET/BASIN LID | 8. SWITCH (SEE CHART A, ON PAGE 3) | 12. SWITCH ARM |

TYPICAL SUMP INSTALLATION

1. This installation must be in accordance with the National Electric Code and all applicable local codes and ordinances.
2. Use a basin that is large enough to accommodate the pump. The minimum requirements for the sump pumps are:

CHART — A		A	B
Switch Type		Minimum Basin Diameter	Minimum Basin Height
Submersible Sumps	Tether Float Switch	14 in.	22 in.
	Diaphragm Switch	11 in.	22 in.
	Vertical Float Switch	11 in.	22 in.

CHART — B		A	B
Switch Type		Minimum Basin Diameter	Maximum Basin Height
Pedestal Float Switch (Figure 2, on page 2)		14 in.	24 in.

3. Clean the basin of all debris.
4. Assemble switch or float if needed. Refer to **warranty and service parts sheet** for specific directions.
5. Set the pump on a solid, level surface. Do not place pump directly on clay, earth, gravel or sand. A brick or block may be installed under the pump to provide a solid base.
6. Position pump so the switch is away from the inlet so switch is clear from incoming water. Verify the switch has at least 1 in. clearance to the side wall of the basin and is free to move throughout its movement. If optional control device or float is used, follow mounting instruction supplied with device or float.
7. Install discharge plumbing according to local, regional and state codes. Rigid PVC pipe is recommended.
8. If required, drill 1/8 in. “weep” hole in the discharge pipe 1 in. above the pump discharge. Water stream will be visible from the hole when the pump is running. The hole must be cleaned periodically.
9. Install a union to allow for easy removal of the pump for cleaning or service.
10. Install a check valve (required) to prevent back-flow. The check valve may be positioned just above the basin to allow easy removal of the pump for cleaning and service.
11. Install a gate valve or ball valve if required by local, regional or state code.
12. Secure power supply cord to discharge pipe using cable or zip ties to prevent possible switch entanglement.
13. Connect pump power supply cord to a ground fault circuit interrupter (GFCI) receptacle.
14. Fill the basin with water. The pump will start when the water level has reached the switch-on level.
15. The pump will stop when the water level has reached the switch-off level.
16. Verify the switch is operating without any obstruction from the pump, piping and basin.
17. Fill the basin with water again. While the pump is draining the basin, verify the discharge pipe is carrying the water to a point at least 3 ft. away from the foundation. If the discharge line is exposed to freezing temperatures, the pipe must be positioned in a downward slope away from the foundation so any remaining water will drain away and not freeze.
18. Secure the basin cover and gasket to the basin to prevent debris from falling into the basin, prevent personal injury, and to contain gases and/or odors.

NOTICE

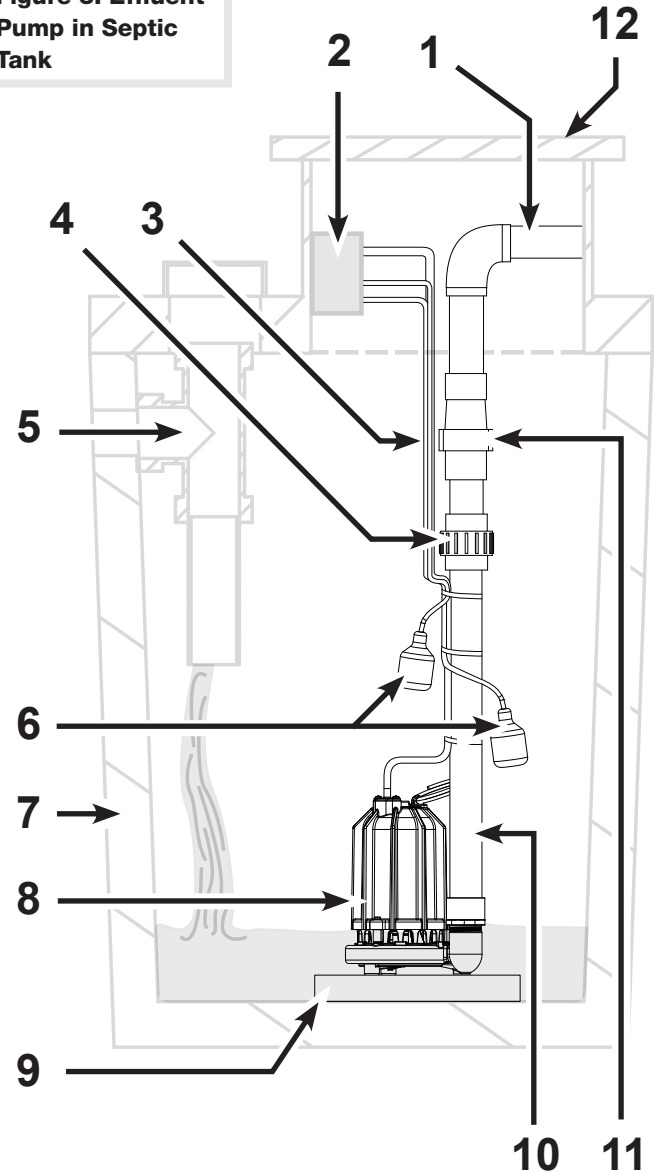
This pump is not designed to handle salt water, brine, laundry discharge, water softener, sewage, grey water, or any other application which may contain caustic chemicals and/or foreign materials. Pump damage could occur if used in these applications and will void warranty

TYPICAL EFFLUENT INSTALLATION

1. This installation must be in accordance with the National Electric Code and all applicable local codes and ordinances.
2. For sump applications, follow typical sump installation instructions (page 3). For effluent applications, continue to step 3.
3. Clean the basin of all debris.
4. Set the pump on a solid, level surface. Do not place pump directly on clay, earth, gravel, or sand. A brick or block may be installed under the pump to provide a solid base.
5. Verify the float switch has at least 1 inch clearance to the side wall of the basin and is free of any possible obstructions.
6. If optional control device or float is used, follow mounting instructions supplied with device or float.
7. Install discharge plumbing according to local, regional and state codes. Do not reduce the discharge pipe size below that which is provided on the pump.
8. If required, drill a 1/8 in. "weep" hole in the discharge pipe 1 in. above the pump discharge. Water stream will be visible from the hole when the pump is running. The hole must be cleaned periodically.
9. Install a union to allow easy removal of the pump for cleaning and service.
10. Install a check valve (required) to prevent back-flow. It should be installed above the union.
11. A gate valve or ball valve should be installed above the check valve as required by local, regional or state codes.
12. Connect remaining discharge pipe. The remainder of the discharge line should be as short as possible with a minimum number of turns.
13. Secure power supply cord to discharge pipe using cable or zip ties to prevent possible switch entanglement.
14. Connect pump power supply cord to a ground fault circuit interrupter (GFCI) receptacle.
15. Fill the basin with water. The pump will start when the water level has reached the switch-on level. Verify the pump is operating normally. If the discharge line is exposed to freezing temperatures, the pipe must be positioned in a downward slope away from the foundation so any remaining water will drain away and not freeze.

16. Secure a basin/tank cover and gasket to the basin to prevent debris from falling into the basin, prevent personal injury, and to contain gases and/or odors.

Figure 3: Effluent Pump in Septic Tank



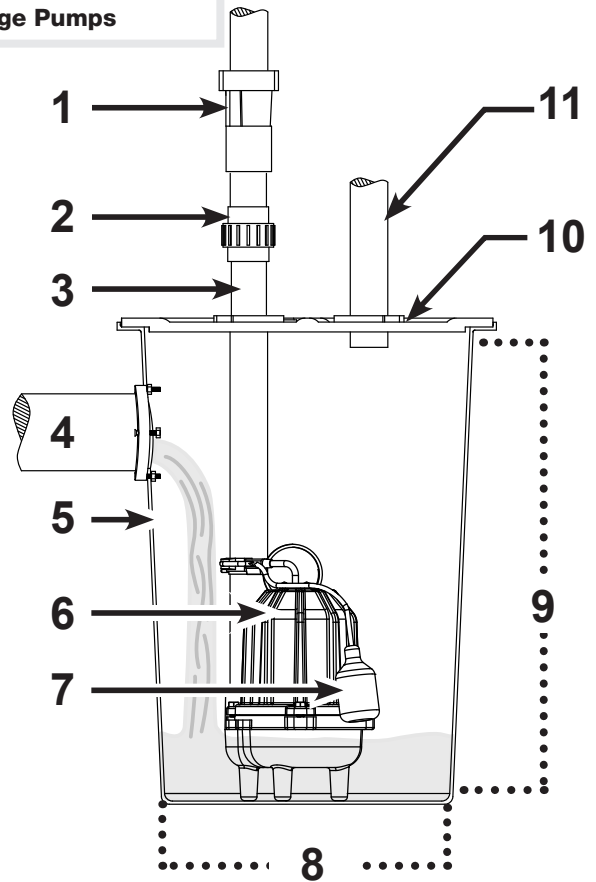
- | | |
|--------------------------|--------------------|
| 1. Discharge Outlet Pipe | 7. Septic Tank |
| 2. Junction Box | 8. Effluent Pump |
| 3. Pump/Switch Wires | 9. Brick or Block |
| 4. Union | 10. Discharge Pipe |
| 5. Effluent Inlet Pipe | 11. Check Valve |
| 6. Switches | 12. Tank Lid |

TYPICAL SEWAGE INSTALLATION

1. This installation must be in accordance with the National Electric Code and all applicable local codes and ordinances.
2. For sump applications, follow typical sump installation instructions (page 3). For effluent applications, follow typical effluent installation instructions (page 4). For sewage applications, proceed to step 3.
3. Use a basin that is large enough to accommodate the pump. The basin diameter should be a minimum of 18 inches and the depth a minimum of 24 inches.
4. Clean the basin of all debris.
5. Set the pump on a solid, level surface. Do not place pump directly on clay, earth, gravel, or sand. A brick or block may be installed under the pump to provide a solid base.
6. Position pump in the basin so the switch is away from incoming water. Verify the float switch has at least 1 inch clearance to the side wall of the basin and is free of any possible obstructions.
7. Install discharge plumbing according to local, regional and state codes. Do not reduce the discharge pipe size below that which is provided on the pump.
8. If required, drill a 1/8 in. "weep" hole in the discharge pipe 1 in. above the pump discharge. Water stream will be visible from this hole when the pump is running. The hole must be cleaned periodically.
9. If optional control device or float is used, follow mounting instruction supplied with device or float.
10. A union should be installed above the basin to allow easy removal of the pump for cleaning and service.
11. Install a check valve (required) to prevent back-flow. It should be installed above the union.
12. A gate valve or ball valve should be installed above the check valve as required by local, regional or state codes.
13. Connect remaining discharge pipe. The remainder of the discharge line should be as short as possible with a minimum number of turns.
14. A vent pipe is required. It removes gases and odors and should be installed as required by local, regional or state codes.
15. Secure power supply cord to discharge pipe using cable or zip ties to prevent possible switch entanglement.
16. Connect pump power supply cord to a properly grounded receptacle.

17. Fill the basin with water. The pump will start when the water level has reached the switch-on level. Verify the pump is operating normally.
18. Install a basin cover and gasket to prevent debris from falling into the basin, prevent personal injury and to contain gases and odors.

Figure 7: Submersible Sewage Pumps



- | | |
|-------------------|------------------------------|
| 1. Check Valve | 7. Switch |
| 2. Union | 8. Minimum Diameter (18 in.) |
| 3. Discharge Pipe | 9. Minimum Depth (24 in.) |
| 4. Inlet Pipe | 10. Gasket/Basin Lid |
| 5. Basin | 11. Vent Pipe |
| 6. Pump | |

MAINTENANCE

WARNING

ALWAYS DISCONNECT THE PUMP FROM POWER SUPPLY before installing, servicing or making any adjustments.

WARNING

LET PUMP COOL FOR A MINIMUM OF 2 HOURS BEFORE ATTEMPTING TO SERVICE. Submersible pumps contain oil that become pressurized and hot under normal operating conditions.

1. Submersible pump models have permanently lubricated bearings and require no additional lubrication.
2. The pump should be inspected 3-4 times per year for pump movement or buildup of debris on the switch or float. Reposition pump if it has moved. Remove any debris that could interfere with the operation of the switch.

WARNING

DO NOT SUBMERGE PEDESTAL MOTOR or allow motor to be exposed to water.

3. Submersible pump may contain dielectric oil for cooling. Dielectric oil can be harmful to the environment. Follow state environmental laws when disposing of oil.
4. The pump motor is equipped with automatic resetting thermal protector and may restart unexpectedly. Protector tripping is an indication of motor overloading as a result of operating the pump at low heads, excessively high or low voltage, inadequate wiring, incorrect motor conditions, or a faulty motor or pump.

WARNING

DO NOT USE AN EXTENSION CORD. Extension cords could present a safety hazard if not sized properly, become damaged or the connection falls into the sump. If receptacle is not within reach of the pump's power cord, contact a qualified licensed electrician to install a new receptacle.

TROUBLESHOOTING

Symptoms	Possible Cause(s)	Suggested Remedies
Pump will not start or run	<ol style="list-style-type: none">1. Water level too low2. Blown fuse or tripped circuit breaker3. Low line voltage4. Motor5. Switch6. Inlet screen clogged7. Switch obstruction	<ol style="list-style-type: none">1. Water must be at the appropriate level to activate switch2. If blown, determine cause and then either replace with proper sized fuse or reset breaker3. Contact an electrician4. Replace pump5. Replace switch6. Remove debris7. Remove obstruction to ensure free motion of switch
Pump starts and stops too often	<ol style="list-style-type: none">1. Back-flow of water from discharge pipe2. Switch3. Check valve not functioning properly or leaking	<ol style="list-style-type: none">1. Install check valve2. Replace switch3. Remove and examine check valve for proper installation and free operation. Replace check valve if necessary.

TROUBLESHOOTING (CONTINUED)

Symptoms	Possible Cause(s)	Suggested Remedies
Pump shuts off and turns on independently of switch (trips thermal overload protection)	<ol style="list-style-type: none"> 1. Excessive water temperature 2. Switch 3. Switch obstruction 4. Obstruction in discharge pipe 5. Low line voltage 	<ol style="list-style-type: none"> 1. Pump should not be used for water above 120° F 2. Replace switch 3. Remove obstruction to ensure free motion of switch 4. Remove obstruction in discharge piping 5. Contact an electrician.
Pump operates noisily or vibrates excessively	<ol style="list-style-type: none"> 1. Worn bearings 2. Impeller obstructed or broken 3. Piping attachments to building structure too rigid or too loose 	<ol style="list-style-type: none"> 1. Replace pump 2. Where applicable, remove screen and volute, clean impeller and/or replace impeller 3. Install rubber coupling (available at local hardware stores) to isolate pump vibration from discharge plumbing
Pump will not shut off	<ol style="list-style-type: none"> 1. Switch 2. Switch obstructions 3. Restricted discharge (obstruction in piping) 4. Excessive inflow or pump not properly sized for application 	<ol style="list-style-type: none"> 1. Replace switch 2. Remove obstruction to ensure free motion of switch 3. Remove obstruction from discharge piping 4. Recheck all sizing calculations to determine proper pump size
Pump operates but delivers little or no water	<ol style="list-style-type: none"> 1. Low line voltage 2. Inlet screen clogged 3. Broken impeller or debris in impeller cavity 5. Pump not properly sized for application 6. Check valve stuck closed or installed backwards 7. Shut off valve closed 	<ol style="list-style-type: none"> 1. Contact an electrician 2. Remove debris 3. Remove screen and volute, clean impeller and/or replace impeller 5. Recheck all sizing calculations to determine proper pump size 6. Remove and examine check valve for proper installation and free operation 7. Open valve

ROUTINE SUMP MAINTENANCE

We recommend you check your sump pump for proper operation at least once a year.

- Make sure the pump is plugged in to a working ground fault circuit interrupter (GFCI) outlet and the cord is in good shape. In damp areas, GFCI breakers may trip, effectively shutting off the sump pump. Check in on your sump pump and reset the GFCI if necessary.
- Ensure the pump itself is standing upright. Vibrations during operation can cause it to fall or tilt onto one side. This can jam the float arm so it can't activate the pump.
- Pour a bucket of water into the pit to make sure the pump starts automatically and the water drains quickly once the pump is on. If the pump doesn't start, have it serviced or replaced.
- Check the inlet screen and clear away any small stones or debris.

NOTES

Les pompes de puisard, d'effluent et d'égout

MANUEL D'INSTALLATION

Lire et conserver ces instructions. Ce manuel contient des avertissements de sécurité et des instructions de fonctionnement très importants. Il faudra s'y reporter avant toute installation ou tout entretien. Toujours conserver ce manuel avec l'appareil pour qu'il soit facilement accessible. Ne pas lire et suivre ces avertissements et ces instructions pourrait mener à des dommages à la propriété, à de graves blessures ou à la mort.

DESCRIPTIONS

POMPE DE PUISARD

Les pompes de puisard sont des pompes automatiques utilisées pour enlever la nappe phréatique des fosses de puisard. L'application la plus commune est pour le drainage en sous-sol pour prévenir l'inondation des bâtiments résidentiels. Ces pompes de puisard sont conçues pour pomper seulement de l'eau claire.

POMPES D'EFFLUENTS

Les pompes des effluents sont des pompes utilisées pour enlever de l'eau grise des réservoirs septiques, des fosses de puisard ou des systèmes de plateau de lessive. L'eau grisâtre est de l'eau usée provenant des baignoires, éviers, machines à laver et autres appareils électroménagers. Les pompes sont conçues pour faire circuler des solides 12,7 mm (1/2 po) à 19,1 cm (3/4 po) de diamètre.

POMPES D'ÉGOUT

Les pompes d'égout sont des pompes utilisées pour enlever de l'eau usée qui contient des solides jusqu'à 5,1 cm (2 po.) de diamètre. L'application la plus commune est pour égoutter de l'eau usée de la salle de bains à un égout ou à une ligne septique.

DÉBALLAGE

Inspectez votre pompe. À l'occasion, les produits sont endommagés durant l'expédition. Si l'unité est endommagée, veuillez contacter notre Service à la clientèle au numéro indiqué sur la fiche des pièces et de garantie.

LIRE ET SUIVRE TOUTES LES INSTRUCTIONS

CONSERVER CES INSTRUCTIONS - NE PAS LES JETER

DIRECTIVES DE SÉCURITÉ

Ce manuel contient de l'information très importante à connaître et à comprendre. Cette information est fournie pour la SÉCURITÉ et pour ÉVITER LES PROBLÈMES D'ÉQUIPEMENT. Pour aider à reconnaître ces renseignements, observer tous les renseignements de sécurité portant la mention danger, avertissement, mise en garde et notice.

INFORMATION IMPORTANTE DE SÉCURITÉ

AVERTISSEMENT

AVERTISSEMENT INDIQUE UNE SITUATION POTENTIELLEMENT DANGEREUSE QUI, SI ELLE N'EST PAS ÉVITÉE, RISQUE D'ENTRAÎNER DES LÉSIONS CORPORELLES GRAVES OU MÊME LA MORT.

RISQUE DE CHOC ÉLECTRIQUE. POUR RÉDUIRE CE RISQUE, OBSERVER LES AVERTISSEMENTS SUIVANTS :



S'ASSURER QU'IL Y A UNE PRISE DE COURANT DISPONIBLE CORRECTEMENT MISE À TERRE. Cette pompe est fournie avec un conducteur de terre et une fiche d'accessoire de type mise à la terre. Pour réduire le risque de décharge électrique, s'assurer qu'il est raccordé seulement à une prise de courant correctement mise à terre.

NE JAMAIS ENLEVER LA BROCHE DE TERRE de la prise de courant ou éviter d'utiliser les fils de masse.

POUR PLUS DE SÉCURITÉ la prise de courant doit être protégée avec un disjoncteur de fuite à la terre (DDFT). Tout le câblage doit être effectué par un électricien qualifié et se conformer au code national de l'électricité des États-Unis et tous les codes et ordonnances d'État / provinciaux et locaux.

NE PAS ENLEVER LE CORDON D'ALIMENTATION et le réducteur de tension ni raccorder le conduit directement à la pompe.

S'ASSURER QUE L'ALIMENTATION ÉLECTRIQUE EST MUNIE D'UN FUSIBLE OU D'UN DISJONCTEUR d'une valeur nominale appropriée pour supporter l'intensité du courant (l'ampérage) marquée sur la plaque signalétique ou l'étiquette du cordon de la pompe.

NE PAS UTILISER DE RALLONGES. Les rallonges pourraient présenter un danger de sécurité si elles ne sont pas à la bonne taille, deviennent endommagées ou la connexion tombe dans le puisard. Si la prise de courant est loin du cordon d'alimentation de la pompe, contacter un électricien agréé qualifié pour installer une nouvelle prise de courant.

TOUJOURS DÉBRANCHER LA POMPE de la source d'alimentation électrique avant d'installer, d'en faire l'entretien ou tout ajustement.

NE PAS SUBMERGER LE MOTEUR À SOCLE ni exposer le moteur à l'eau.

NE PAS MARCHER sur le plancher quand il y a de l'eau avant de couper le courant. Si le panneau électrique est dans le sous-sol, appeler un électricien.

NE JAMAIS MANIPULER UNE POMPE ou un moteur avec les mains humides ou debout dans l'eau ou sur une surface humide pendant que la pompe est sous tension.

SE LAVER LES MAINS APRÈS TOUTE MANIPULATION. Selon l'état de Californie (Proposition 65), ce produit peut contenir des produits chimiques qui de l'avis de l'État de Californie causent le cancer et des anomalies congénitales ou d'autres problèmes de reproduction.

RISQUE DE CHOC ÉLECTRIQUE. Cette pompe n'a pas fait l'objet de vérification pour une utilisation dans les piscines et les aires marines.

NE PAS POMPER DE FLUIDES INFLAMMABLES OU EXPLOSIFS tels que l'essence, l'huile à chauffage, le kérosène etc. Ne pas utiliser dans une atmosphère inflammable et/ou explosive. La pompe ne doit être utilisée que pour pomper de l'eau fraîche. Ceci pourrait mener à des blessures personnelles et/ou des dommages à la propriété.

LES POMPES NE SONT PAS CONÇUES POUR L'ACHEMINEMENT D'EAU DESTINÉE À LA CONSOMMATION. Ne pas utiliser la pompe pour transporter de l'eau qui sera utilisée comme de l'eau potable / destinée à la consommation. La pompe doit être utilisée uniquement dans les applications pour lesquelles elle est conçue.



⚠ ATTENTION

ATTENTION INDIQUE UNE SITUATION POTENTIELLEMENT DANGEREUSE QUI, SI ELLE N'EST PAS ÉVITÉE, POURRAIT RISQUER D'ENTRAÎNER DES LÉSIONS CORPORELLES MINEURES OU MODÉRÉES.

POUR RÉDUIRE LE RISQUE DE DANGERS QUI PEUVENT MENER À DES BLESSURES OU DES DOMMAGES À LA PROPRIÉTÉ, OBSERVER LES AVERTISSEMENTS SUIVANTS :



SI CETTE POMPE CONTIENT UN INTERRUPTEUR POUR L'OPÉRATION AUTOMATIQUE, C'EST LA RESPONSABILITÉ DE L'INSTALLATEUR DE S'ASSURER QUE L'INTERRUPTEUR EST CAPABLE DE FONCTIONNER SANS OBSTRUCTIONS DANS LA CUVETTE. On recommande que l'installateur évalue et observe l'opération de la pompe pour plusieurs cycles après l'installation.

ON RECOMMANDE D'UTILISER UNE TUYAUTERIE RIGIDE ET DES RACCORDS pour bien attacher la pompe dans la cuvette et réduire le déplacement de la pompe. Le déplacement de la pompe peut empêcher l'interrupteur de fonctionner correctement.

CETTE POMPE DOIT ÊTRE INSPECTÉE 3 À 4 FOIS PAR AN pour prévenir le déplacement de la pompe ou l'accumulation de débris sur l'interrupteur ou le flotteur. Replacer la pompe au besoin. Retirer tous débris qui pourraient entraver le fonctionnement de l'interrupteur.

ON RECOMMANDE D'UTILISER UN CLAPET DE NON-RETOUR avec cette pompe pour prévenir le retour d'eau de liquide après chaque cycle de pompe.

NE PAS INSTALLER NI FAIRE FONCTIONNER LA POMPE SI ELLE A ÉTÉ ENDOMMAGÉE DE TOUTE FAÇON.

NE PAS SOULEVER NI PORTER LA POMPE PAR LE CORDON D'ALIMENTATION. Utiliser la poignée de la pompe.

NE PAS UTILISER CETTE POMPE DANS LA BOUE, LE SABLE, LE CIMENT, L'HUILE OU LES PRODUITS CHIMIQUES.

NE PAS UTILISER LES POMPES DE PUISARD ET LES POMPES D'EFFLUENTS POUR MANIPULER DES EAUX USÉES BRUTES.

UNE ALARME INDÉPENDANTE DE HAUT NIVEAU D'EAU OU UNE POMPE DE SECOURS DOIT ÊTRE UTILISÉE quand il existe un risque de dommages à la propriété des niveaux élevés d'eau.

L'INTERRUPTEUR DOIT ÊTRE REMPLACÉ TOUS LES DEUX (2) ANS. Cet entretien réduira le risque d'utilisation incorrecte de la pompe, de défaillance de l'interrupteur ou d'inondation

DIAGRAMMES D'INSTALLATION DE POMPES DE PUISARD TYPIQUES

Figure 1: Pompe de Puitsard submersible

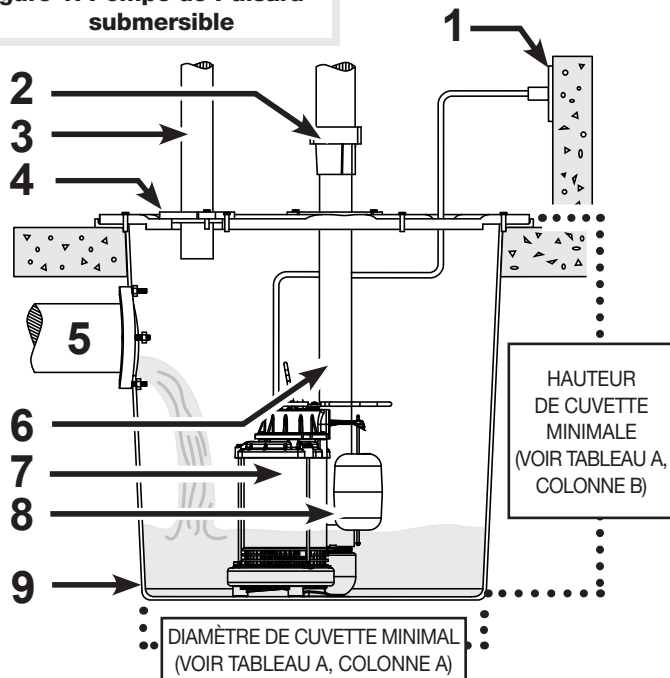
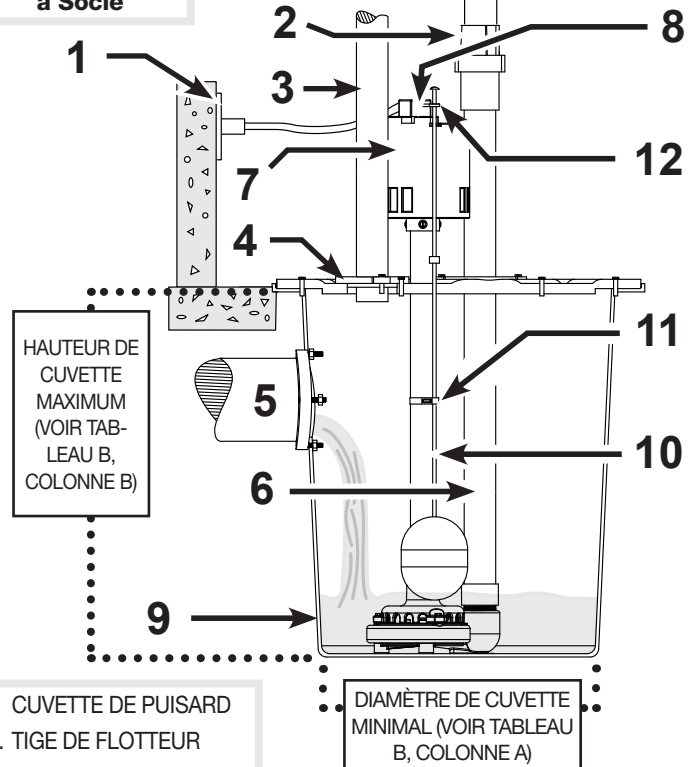


Figure 2: Pompe à Socle



- | | |
|---|---|
| 1. SORTIE DU DISJONCTEUR DE FUIE À LA TERRE | 5. TUYAU D'ENTRÉE |
| 2. CLAPET DE NON-RETOUR | 6. TUYAU DE DÉCHARGE |
| 3. TUYAU D'AÉRATION | 7. POMPE DE PUISARD |
| 4. JOINT/COUVERCLE DE CUVETTE | 8. INTERRUPTEUR (VOIR TABLEAU A, PAGE 11) |

- | |
|-----------------------|
| 9. CUVETTE DE PUISARD |
| 10. TIGE DE FLOTTEUR |
| 11. GUIDE DE FLOTTEUR |
| 12. BRAS INTERRUPTEUR |

INSTALLATION TYPIQUE DE PUISARD

1. Cette installation doit être conforme au Code national d'électricité des É.-U. et tous codes et ordonnances locaux.
2. Utiliser une cuvette qui est assez grande pour accommoder la pompe. Les exigences minimales pour les pompes de puisard sont:

TABLEAU — A		A	B
Type d'Interrupteur		Diamètre de Cuvette Minimal	Hauteur de Cuvette Minimale
Pompes de puisard submersibles	Interrupteur à flotteur à amarre	35,56 cm (14 po)	55,88 cm (22 po)
	Interrupteur à diaphragme	27,94 cm (11 po)	55,88 cm (22 po)
	Interrupteur à flotteur vertical	27,94 cm (11 po)	55,88 cm (22 po)

TABLEAU — B		A	B
Type d'Interrupteur		Diamètre de Cuvette Minimal	Hauteur de Cuvette Maximum
Interrupteur à flotteur à socle (Figure 2, page 10)		35,56 cm (14 po)	60,96 cm (24 po)

3. Nettoyer la cuvette de tous les débris.
4. Rassembler l'interrupteur ou le flotteur au besoin. Se reporter au **feuillet de garantie et service des pièces** pour les directives spécifiques.
5. Placer la pompe sur une surface solide et à niveau. Ne pas placer la pompe directement sur de l'argile, de la terre, du gravier ou sur une surface sablonneuse. Une brique ou un bloc peut être installé sous la pompe pour fournir une base ferme.
6. Placer la pompe pour que l'interrupteur soit loin de l'entrée et soit dégagé de l'eau entrante. S'assurer que l'interrupteur a au moins 2,54 cm (1 po) de dégagement du mur de côté de la cuvette et qu'il peut se déplacer librement. Si on utilise un appareil de contrôle ou un flotteur optionnel, suivre les instructions de montage fournies avec l'appareil ou le flotteur.
7. Installer la plomberie de décharge selon les codes locaux, régionaux et provinciaux. On recommande un tuyau de PVC rigide.
8. Si nécessaire, percer un orifice de drainage de 3,2 mm (1/8 po) dans le tuyau de décharge à 2,5 cm (1 po) au-dessus de la décharge de la pompe. Le courant d'eau est visible du trou lorsque la pompe fonctionne. Le trou doit être nettoyé périodiquement.
9. Installer un raccord union pour permettre d'enlever facilement la pompe pour le nettoyage ou l'entretien.
10. Installer un clapet de non-retour (requis) de prévenir le retour d'eau. Le clapet de non-retour peut être placé juste au-dessus de la cuvette pour permettre d'enlever facilement la pompe pour le nettoyage et l'entretien.
11. Installer un robinet-vanne ou un robinet sphérique si exigé par le code local, régional ou provincial.
12. Fixer le cordon d'alimentation au tuyau de décharge à l'aide de câble ou d'attaches à glissière pour éviter l'enchevêtrement possible d'interrupteur.
13. Raccorder le cordon d'alimentation de la pompe à une prise de disjoncteur de fuite à la terre (DDFT).
14. Remplir la cuvette d'eau. La pompe démarre lorsque le niveau d'eau a atteint le niveau de mise en marche.
15. La pompe s'arrête quand le niveau d'eau a atteint le niveau d'arrêt.
16. S'assurer que l'interrupteur fonctionne sans obstruction de la pompe, de la tuyauterie et de la cuvette.
17. Remplir la cuvette d'eau à nouveau. Pendant que la pompe égoutte la cuvette, vérifier que le tuyau de décharge transporte de l'eau à un point au moins 91,4 cm (3 pi.) loin de la fondation. Si la ligne de décharge est exposée au gel, le tuyau doit être placé sur une pente vers le bas loin de la fondation pour que l'eau restante se draine au lieu de geler.
18. Fixer le couvercle de cuve et le joint d'étanchéité à la cuve pour éviter que des débris ne tombent dedans, prévenir les blessures personnelles et contenir les gaz et les odeurs.

AVIS

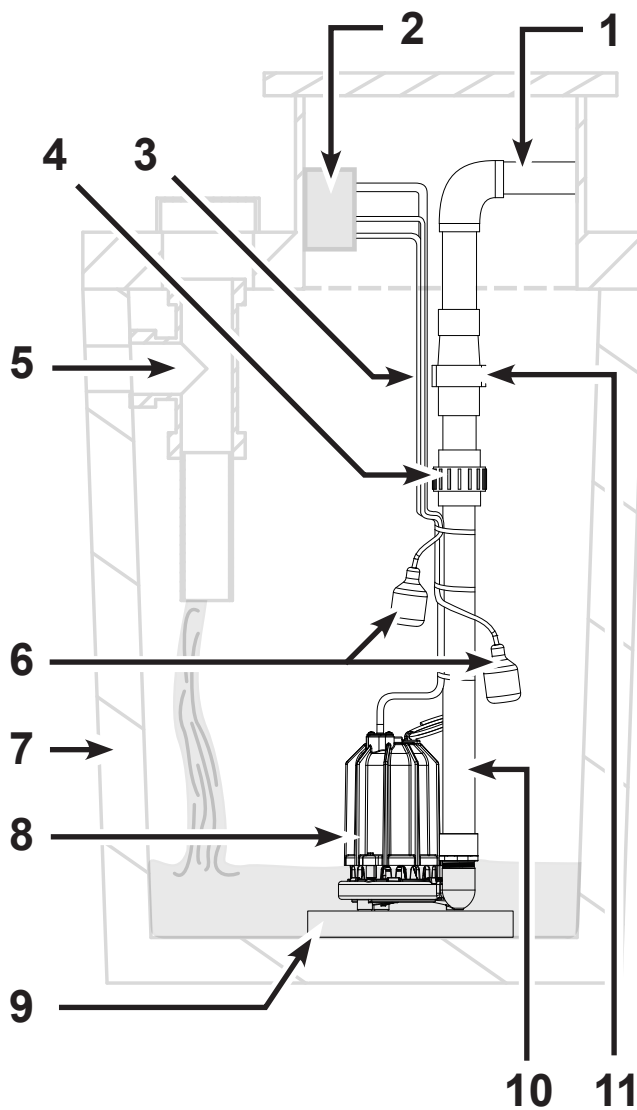
Cette pompe n'est pas conçue pour l'eau salée, la saumure, l'eau de décharge de buanderie, les adoucisseurs d'eau, les eaux usées ou n'importe quelle application qui pourraient avoir des produits chimiques caustiques et/ou matières étranges. L'utilisation de ces produits peut endommager la pompe et annuler la garantie.

INSTALLATION TYPIQUE DE POMPE POUR EFFLUENTS

1. Cette installation doit être conforme au Code national d'électricité des É.-U. et tous codes et ordonnances locaux.
2. Pour les applications de pompe de puisard, suivre les instructions d'installation de puisard typiques. Pour les applications d'effluents, passer à l'étape 3.
3. Nettoyer la cuvette de tout débris (voir page 11).
4. Placer la pompe sur une surface solide et à niveau. Ne pas placer la pompe directement sur de l'argile, de la terre, du gravier ou sur une surface sablonneuse. Une brique ou un bloc peut être installé(e) sous la pompe pour fournir une base ferme.
5. Vérifier que l'interrupteur à flotteur possède un dégagement d'au moins 2,5 cm (1 pouce) de la paroi latérale du bassin et est libre de toute obstruction possible.
6. Si un appareil de contrôle ou un flotteur optionnel est utilisé, suivre les instructions de montage fournies à l'appareil ou au flotteur.
7. Installer la plomberie de décharge selon les codes locaux, régionaux et provinciaux. Ne pas réduire la taille du tuyau de décharge au-dessous de ce qui est fourni sur la pompe.
8. Si nécessaire, percer un orifice de drainage de 3,2 mm (1/8 po) dans le tuyau de décharge à 2,5 cm (1 po) au-dessus de la décharge de la pompe. Le courant d'eau est visible du trou lorsque la pompe fonctionne. Le trou doit être nettoyé périodiquement.
9. Installer un raccord union pour permettre d'enlever facilement la pompe pour le nettoyage et l'entretien.
10. Installer un clapet de non-retour (requis) pour éviter tout retour d'eau. Il doit être installé au-dessus de l'union.
11. Une vanne à obturateur ou un robinet sphérique doit être installé(e) au-dessus du clapet de non-retour comme exigé par les codes locaux, régionaux ou provinciaux.
12. Raccorder le tuyau de décharge restant. Le reste de la ligne de décharge doit être aussi courte que possible avec un nombre minimal de coudes.
13. Fixer le cordon d'alimentation au tuyau de décharge à l'aide de câble ou d'attaches à glissière pour éviter l'enchevêtrement possible d'interrupteur.
14. Raccorder le cordon d'alimentation de la pompe à une prise de disjoncteur de fuite à la terre (DDFT).
15. Remplir la cuvette de l'eau. La pompe démarre lorsque le niveau d'eau a atteint le niveau pour se mettre en marche. S'assurer que la pompe fonctionne normalement. Si la ligne de décharge est exposée au gel, le tuyau doit être placé sur une pente vers le bas loin de la fondation pour que l'eau restante se draine au lieu de geler.

16. Fixer le couvercle de cuve et le joint d'étanchéité à la cuve pour éviter que des débris ne tombent dedans, prévenir les blessures personnelles et contenir les gaz et les odeurs

Figure 3: Pompe d'effluents dans le réservoir septique



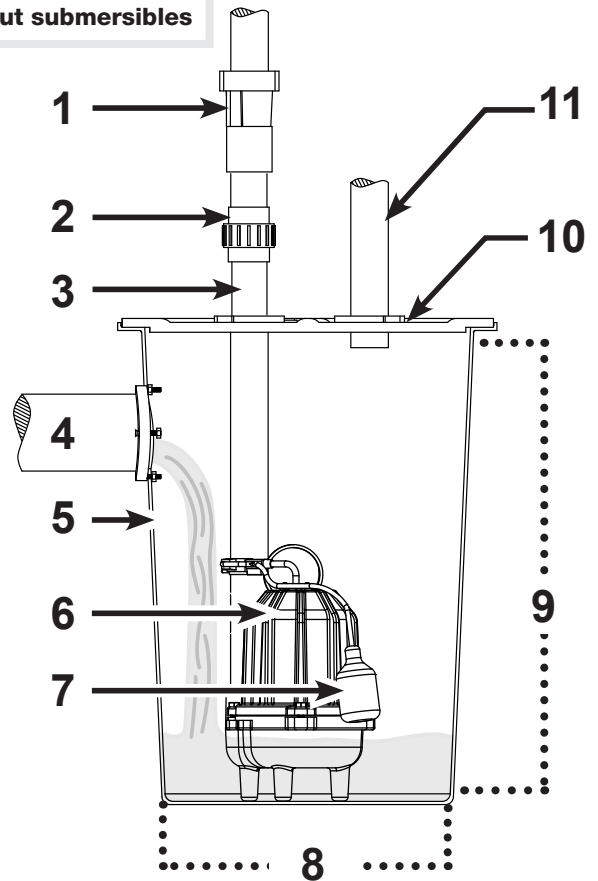
- | | |
|---------------------------------|----------------------------|
| 1. Tuyau de sortie de décharge | 7. Réservoir septique |
| 2. Boîte de raccordement | 8. Pompe d'effluents |
| 3. Fils de pompe/interrupteur | 9. Brique ou bloc |
| 4. Raccord union | 10. Tuyau de décharge |
| 5. Tuyau d'entrée des effluents | 11. Clapet de non-retour |
| 6. Interrupteurs | 12. Couvercle du réservoir |

INSTALLATION TYPIQUE DE POMPE POUR EAU USÉE

1. Cette installation doit être conforme au Code national d'électricité des É.-U. et tous codes et ordonnances locaux.
2. Pour les applications de puisard, suivre les instructions d'installation typiques de puisard (page 11). Pour les effluents, suivre les instructions d'installation typiques d'effluent (page 12). Pour les égouts, passer à l'étape 3.
3. Utiliser une cuvette qui est assez grande pour loger la pompe. La cuvette doit avoir un diamètre d'au moins 45,72 cm (18 po) et une profondeur d'au moins 60,96 cm (24 po).
4. Nettoyer la cuvette de tous débris.
5. Placer la pompe sur une surface solide et à niveau. Ne pas placer la pompe directement sur de l'argile, de la terre, du gravier ou sur une surface sablonneuse. Une brique ou un bloc peut être installé(e) sous la pompe pour fournir une base ferme.
6. Placer la pompe dans la cuvette pour que l'interrupteur soit loin de l'eau entrante. Vérifier que l'interrupteur à flotteur possède un dégagement d'au moins 2,5 cm (1 pouce) de la paroi latérale du bassin et est libre de toute obstruction possible.
7. Installer la plomberie de décharge selon les codes locaux, régionaux et provinciaux. Ne pas réduire la taille du tuyau de décharge au-dessous de ce qui est fourni sur la pompe.
8. Si nécessaire, percer un orifice de drainage de 3,2 mm (1/8 po) dans le tuyau de décharge à 2,5 cm (1 po) au-dessus de la décharge de la pompe. Le courant d'eau est visible du trou lorsque la pompe fonctionne. Le trou doit être nettoyé périodiquement.
9. Si un appareil de contrôle ou un flotteur optionnel est utilisé, suivre les instructions de montage fournies avec l'appareil ou le flotteur.
10. Un raccord union doit être installé au-dessus de la cuvette pour permettre d'enlever facilement la pompe pour le nettoyage et l'entretien.
11. Installer un clapet de non-retour (requis) pour prévenir le retour d'eau. Il doit être installé au-dessus du raccord union.
12. Un robinet-vanne ou un robinet sphérique doit être installé au-dessus du clapet de non-retour comme exigé par les codes locaux, régionaux ou provinciaux.
13. Raccorder le tuyau de décharge restant. Le reste de la ligne de décharge doit être aussi court que possible avec un nombre minimal de coudes.
14. Il faut un tuyau d'aération. Il enlève le gaz et les odeurs et doit être installé comme exigé par les codes locaux, régionaux ou provinciaux.
15. Fixer le cordon d'alimentation au tuyau de décharge à l'aide de câble ou d'attaches à glissière pour éviter l'enchevêtrement possible d'interrupteur.

16. Raccorder le cordon d'alimentation de la pompe à une prise de courant mise à la terre correctement.
17. Remplir la cuvette de l'eau. La pompe commence lorsque le niveau d'eau a atteint le niveau pour se mettre en marche. S'assurer que la pompe fonctionne normalement.
18. Installer un couvercle de cuve et un joint d'étanchéité pour éviter que des débris ne tombent dans la cuve, prévenir les blessures personnelles et contenir les gaz et les odeurs.

Figure 7: Pompes d'égout submersibles



- | | |
|-------------------------|---|
| 1. Clapet de non-retour | 7. Interrupteur |
| 2. Raccord union | 8. Diamètre minimal 45,72 cm (18 po) |
| 3. Tuyau de décharge | 9. Profondeur minimale 60,96 cm (24 po) |
| 4. Tuyau d'entrée | 10. Joint/Couvercle de cuvette |
| 5. Cuve | 11. Tuyau d'aération |
| 6. Pompe | |

ENTRETIEN

AVERTISSEMENT

TOUJOURS DÉBRANCHER LA POMPE DE LA SOURCE D'ALIMENTATION ÉLECTRIQUE avant d'installer, de faire l'entretien ou des ajustements.

AVERTISSEMENT

LAISSER LA POMPE REFROIDIR PENDANT AU MOINS 2 HEURES AVANT DE PASSER À TOUT ENTRETIEN OU RÉPARATION. Les pompes submersibles contiennent de l'huile qui devient pressurisée et chaude sous les conditions normales de fonctionnement.

1. Les modèles de pompes submersibles ont des roulements lubrifiés en permanence et n'exigent aucune lubrification supplémentaire.
2. La pompe doit être inspectée 3-4 fois par an pour le mouvement de pompe ou l'accumulation de débris sur l'interrupteur ou le flotteur. Replacer la pompe au besoin. Enlever les débris qui peuvent entraver le fonctionnement de l'interrupteur.

AVERTISSEMENT

NE PAS SUBMERGER LE MOTEUR À SOCLE ni exposer le moteur à l'eau.

3. La pompe submersible peut contenir de l'huile diélectrique pour le refroidissement. L'huile diélectrique peut être nocive pour l'environnement. Respecter les lois environnementales de l'état pour jeter cette huile.
4. Ce moteur de pompe est doté d'un protecteur thermique à réinitialisation automatique et pourrait redémarrer de manière imprévue. Le déclenchement du protecteur est une indication de surcharge du moteur suite à l'opération de la pompe à faible hauteur de chute, tension excessivement haute ou basse, câblage inadéquat, conditions incorrectes du moteur ou une pompe ou un moteur défectueux.

AVERTISSEMENT

NE PAS UTILISER DE RALLONGES. Les rallonges pourraient présenter un danger de sécurité si elles ne sont pas à la bonne taille, deviennent endommagées ou la connexion tombe dans le puisard. Si la prise de courant est loin du cordon d'alimentation de la pompe, contacter un électricien agréé qualifié pour installer une nouvelle prise de courant.

DÉPANNAGE

Symptômes	Cause(s) possible(s)	Remèdes Suggérés
La pompe ne démarre pas ou ne fonctionne pas	<ol style="list-style-type: none">1. Niveau de l'eau trop bas2. Fusible grillé ou disjoncteur déclenché3. Basse tension de ligne4. Moteur5. Interrupteur6. Tamis d'entrée bloqué7. Obstruction d'interrupteur	<ol style="list-style-type: none">1. L'eau doit être au niveau approprié pour activer l'interrupteur2. Si grillé, déterminer la cause, puis remplacer en utilisant la bonne taille de fusible ou réinitialiser le disjoncteur3. Contacter un électricien4. Remplacer la pompe5. Remplacer l'interrupteur6. Retirer les débris7. Retirer l'obstruction pour assurer un déplacement libre d'interrupteur
La pompe démarre et s'arrête trop souvent	<ol style="list-style-type: none">1. Retour d'eau de tuyauterie2. Interrupteur défectueux3. Clapet de non-retour ne fonctionne pas correctement ou fuite	<ol style="list-style-type: none">1. Installer le clapet de non-retour2. Remplacer l'interrupteur3. Retirer et examiner le clapet de non-retour pour vérifier sa bonne installation et son fonctionnement libre. Remplacer le clapet de non-retour au besoin

DÉPANNAGE (SUITE)

Symptômes	Cause(s) possible(s)	Remèdes Suggérés
La pompe s'éteint et se remet en marche indépendamment de l'interrupteur (déclenche la protection thermique de surcharge)	<ol style="list-style-type: none"> 1. Température d'eau excessive 2. Un interrupteur 3. Obstruction d'interrupteur 4. Obstruction dans le tuyau de décharge 5. Basse tension de ligne 	<ol style="list-style-type: none"> 1. La pompe ne doit pas être utilisée pour de l'eau dépassant 48,89 °C (120 °F) 2. Changez l'interrupteur 3. Retirez l'obstruction pour assurer un déplacement libre d'interrupteur 4. Retirez l'obstruction dans le tuyau de décharge 5. Contactez un électricien.
La pompe fonctionne bruyamment ou vibre trop	<ol style="list-style-type: none"> 1. Roulements usés 2. Impulseur obstrué ou cassé. 3. Accessoires de tuyauterie à la structure de l'édifice trop rigide ou trop desserrés 	<ol style="list-style-type: none"> 1. Remplacer la pompe 2. Le cas échéant, retirez l'écran et la volute, nettoyez et/ou remplacez l'impulseur 3. Retirez le tamis et la volute, nettoyez l'impulseur et/ou le remplacez
La pompe ne s'arrête pas	<ol style="list-style-type: none"> 1. Interrupteur défectueux 2. Obstruction d'interrupteur 3. Décharge obstruée (obstruction dans la tuyauterie) 4. Entrée excessive ou pompe non pas de la taille appropriée pour l'application 	<ol style="list-style-type: none"> 1. Changez l'interrupteur 2. Retirez l'obstruction pour assurer un déplacement libre d'interrupteur 3. Retirez l'obstruction dans le tuyau de décharge 4. Vérifiez tous les calculs de taille pour déterminer la bonne taille de la pompe
La pompe fonctionne, mais donne peu ou aucune eau	<ol style="list-style-type: none"> 1. Basse tension de ligne 2. Tamis d'entrée bloqué 3. Impulseur cassé ou débris dans la cavité de l'impulseur 4. Pompe fonctionne à l'envers 5. Mauvaise dimension de pompe pour l'application 6. Soupape à clapet bloquée fermée ou installée à l'envers 7. Robinet de sectionnement fermé 	<ol style="list-style-type: none"> 1. Contactez un électricien 2. Retirez les débris 3. Retirez le tamis et la volute, nettoyez l'impulseur et/ou le remplacez 4. Vérifiez la bonne rotation. (le sens contraire des aiguilles d'une montre (SCAM) du fond). Retournez si dans le sens des aiguilles d'une montre 5. Vérifiez tous les calculs de taille pour déterminer la bonne taille de la pompe 6. Retirez et examinez le clapet de non-retour pour vérifier sa bonne installation et son fonctionnement libre 7. Ouvrez la soupape

ENTRETIEN DE ROUTINE DU PUISARD

Nous vous recommandons de vérifier le bon fonctionnement de votre pompe de puisard au moins une fois par an.

- S'assurer que la pompe est branchée à une prise de disjoncteur de fuite à la terre fonctionnel (GFCI) et que le cordon est en bon état. Dans les zones humides, les disjoncteurs GFCI peuvent se déclencher, coupant de manière efficace la pompe de puisard. Vérifier la pompe de puisard et réinitialiser le disjoncteur de fuite à la terre, au besoin.
- S'assurer que la pompe elle-même est en position verticale. En cas de vibrations pendant son utilisation, elle risque de tomber ou de s'incliner d'un côté. Ceci pourrait bloquer le bras du flotteur de sorte qu'il soit impossible d'activer la pompe.
- Verser un seau d'eau dans le puisard pour s'assurer que la pompe démarre automatiquement et que l'eau s'écoule rapidement une fois la pompe activée. Si la pompe ne démarre pas, la réparer ou la remplacer.
- Vérifier l'entrée bouchée et retirer toutes les petites pierres et les débris.

NOTES

Bombas para sumidero, aguas residuales y aguas negras

MANUAL DE INSTALACIÓN

Sírvase leer y guardar estas instrucciones. Este manual contiene advertencias de seguridad e instrucciones de funcionamiento muy importantes. Usted tiene que referirse a estas advertencias antes de intentar cualquier instalación o mantenimiento. Guarde siempre este manual junto con la unidad para que sea fácilmente accesible. El no respetar estas advertencias puede dar como resultado la muerte o lesiones graves y/o daños a la propiedad.

DESCRIPCIONES

BOMBAS DE SUMIDERO

Las bombas de sumidero son bombas automáticas usadas para quitar aguas de pozos de sumidero. La aplicación más frecuente es el drenaje de sótanos, para prevenir la inundación en residencias. Estas bombas están diseñadas para bombear únicamente agua limpia.

BOMBAS DE AGUAS RESIDUALES

Las bombas de aguas residuales son bombas usadas para quitar aguas residuales de fosas sépticas, pozos del sumidero o sistemas de pileta de lavado. Las aguas residuales son aguas de desecho de bañeras, fregaderos, lavadoras y otras aplicaciones de cocina. Estas bombas están diseñadas para pasar sólidos de 12,7 mm (1/2 pulg.) a 19,1 cm (3/4 pulg.) de diámetro.

BOMBAS DE AGUAS CLOACALES

Las bombas de aguas cloacales son bombas usadas para quitar aguas de desecho que contienen sólidos hasta 5,1 cm (2 pulg.) de diámetro. La aplicación más común es el drenaje de agua de desecho del cuarto de baño a una alcantarilla o tubería séptica.

DESEMPAQUE

Inspeccione su bomba. A veces los productos sufren daños durante el transporte. Si la unidad está dañada, póngase en contacto con nuestro departamento de Servicio al Cliente al número indicado en las piezas y la hoja de garantía.

LEA Y SIGA TODAS LAS INSTRUCCIONES

GUARDE ESTAS INSTRUCCIONES - NO LAS DESECHE

GUÍAS DE SEGURIDAD

Este manual contiene información que es muy importante que se conozca y comprenda. Esta información se proporciona con fines de SEGURIDAD y para EVITAR PROBLEMAS CON EL EQUIPO. Para ayudar a reconocer esta información, observe toda la información de seguridad etiquetada como peligro, advertencia, precaución y nota.

INFORMACIÓN DE SEGURIDAD IMPORTANTE

⚠️ ADVERTENCIA

ADVERTENCIA INDICA UNA SITUACIÓN POTENCIALMENTE PELIGROSA, QUE SI NO SE EVITA, PODRÍA OCASIONAR LA MUERTE O LESIONES GRAVES.

RIESGO DE CHOQUE ELÉCTRICO. PARA REDUCIR ESTE RIESGO, OBSERVE LAS ADVERTENCIAS SIGUIENTES:



ASEGÚRESE QUE HAY UN TOMACORRIENTE CONECTADO A TIERRA ADECUADAMENTE DISPONIBLE. Esta bomba viene con un cable de conexión a tierra y un enchufe de conexión a tierra. Para reducir el riesgo de choque eléctrico, asegúrese de que la bomba esté conectada sólo a un tomacorriente de tipo de conexión a tierra y conectado a tierra.

NUNCA quite la clavija de tierra del enchufe o elimine los alambres de conexión a tierra.

POR MÁS SEGURIDAD el tomacorriente debe ser protegido con un interruptor de descarga a tierra (GFCI). Todo el alambrado debe ser realizado por un electricista autorizado y calificado y debe cumplir con los Códigos eléctricos nacionales y todos los códigos y ordenanzas locales aplicables.

NO quite el cordón eléctrico y el alivio de tensión ni conecte el cable directamente a la bomba.

ASEGÚRESE DE QUE LA FUENTE DE ENERGÍA TENGA UN FUSIBLE O DISYUNTOR clasificado para manejar la corriente (amperios) indicada en la placa o etiqueta de la bomba.

NO USE UN CABLE DE EXTENSIÓN. Los cables de extensión pueden presentar un peligro para la seguridad si la talla no es apropiada, pueden dañarse o la conexión puede caer en el sumidero. Si el tomacorriente no está dentro del alcance del cable eléctrico de la bomba, póngase en contacto con un electricista autorizado y calificado para instalar un tomacorriente adicional.

SIEMPRE DESCONECTE LA BOMBA de la fuente de energía antes de la instalación, revisión o de hacer cualquier ajuste.

NO SUMERJA EL MOTOR DE PEDESTAL ni permita que el motor quede expuesto al agua.

NO ANDE por el piso cuando haya agua presente hasta que toda la energía haya sido apagada. Si el panel eléctrico está en el sótano, llame a un electricista.

NUNCA MANEJE UNA BOMBA o motor con las manos mojadas o estando de pie en un piso mojado o húmedo mientras la bomba esté conectada a la fuente de energía.

LÁVESE LAS MANOS DESPUÉS DEL MANEJO. Según el estado de California (Puntal 65), este producto puede contener productos químicos conocidos al estado de California por causar cáncer y defectos de nacimiento u otros daños reproductivos.

RIESGO DE CHOQUE ELÉCTRICO. Esta bomba no ha sido verificada para uso en piscinas y en áreas marinas.

NO BOMBEE LÍQUIDOS INFLAMABLES NI EXPLOSIVOS como por ejemplo gasolina, gasoil, queroseno, etc. No la utilice en entornos inflamables y/o explosivos. La bomba sólo debe usarse para bombear agua limpia. Pueden producirse lesiones personales y/o daños a la propiedad.

LAS BOMBAS NO ESTÁN DISEÑADAS PARA TRASLADAR AGUA DESTINADA AL CONSUMO. No use la bomba para mover agua que será usada como agua potable. La bomba debe ser usada únicamente en las aplicaciones para las que fue diseñada.

⚠ PRECAUCIÓN

PRECAUCIÓN INDICA UNA SITUACIÓN POTENCIALMENTE PELIGROSA, QUE SI NO SE EVITA, PUEDE DAR COMO RESULTADO LESIONES LEVES O MODERADAS.

PARA REDUCIR EL RIESGO DE PELIGROS QUE PUEDEN CAUSAR HERIDAS O DAÑOS A LA PROPIEDAD, OBSERVE LAS ADVERTENCIAS SIGUIENTES:



SI ESTA BOMBA CONTIENE UN INTERRUPTOR PARA EL FUNCIONAMIENTO AUTOMÁTICO, ES RESPONSABILIDAD DEL INSTALADOR DE ASEGURARSE QUE EL INTERRUPTOR SEA CAPAZ DE FUNCIONAR SIN NINGUNA OBSTRUCCIÓN DENTRO DE LA PILETA. Se recomienda que el instalador pruebe y observe el funcionamiento de la bomba por varios ciclos después de la instalación.

SE RECOMIENDA EL USO DE ACCESORIOS Y TUBERÍA RÍGIDOS para asegurar la bomba en la pileta y reducir el movimiento de bomba. El movimiento de la bomba puede impedir que el interruptor funcione correctamente.

ESTA BOMBA DEBE SER INSPECCIONADA DE 3 A 4 VECES AL AÑO para el movimiento de la bomba o la acumulación de residuos en el interruptor o flotador. Vuelva a colocar la bomba si se ha movido. Retire cualquier residuo que pueda interferir con el funcionamiento del interruptor.

SE RECOMIENDA EL USO DE UNA VÁLVULA DE RETENCIÓN con esta bomba para prevenir el reflujo de líquido después de cada ciclo de la bomba.

NO INSTALE NI HAGA FUNCIONAR LA BOMBA SI HA SIDO DAÑADA DE CUALQUIER MANERA.

NO LEVANTE NI LLEVE LA BOMBA POR EL CABLE ELÉCTRICO. Use el mango de la bomba.

NO USE ESTA BOMBA EN BARRO, ARENA, HORMIGÓN, PETRÓLEO O PRODUCTOS QUÍMICOS.

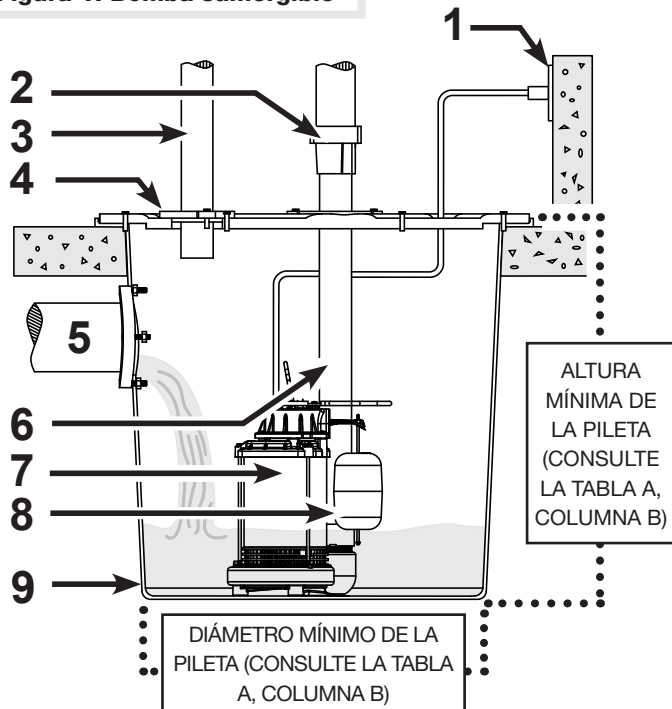
NO USE BOMBAS DE SUMIDERO Y BOMBAS DE AGUAS RESIDUALES PARA BOMBLEAR AGUAS CLOCALES.

CUANDO HAY RIESGO DE DAÑOS A LA PROPIEDAD POR NIVELES ALTOS DEL AGUA se debe usar una alarma independiente de nivel alto o una bomba de respaldo.

EL INTERRUPTOR DEBE CAMBIARSE CADA 2 (DOS) AÑOS. Este mantenimiento reducirá el riesgo de funcionamiento inadecuado de la bomba, fallo del interruptor o inundación

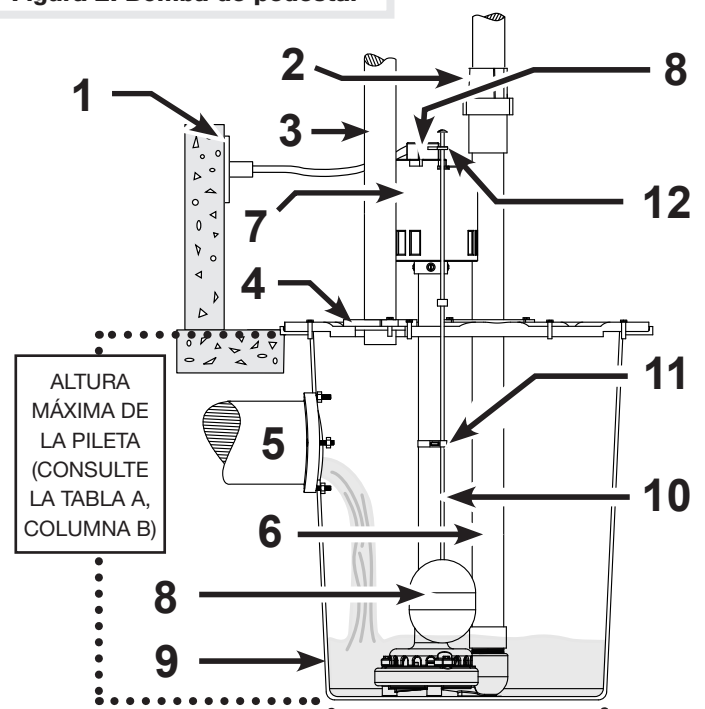
DIAGRAMAS TÍPICOS DE INSTALACIÓN DE SUMIDEROS

Figura 1: Bomba sumergible



- | | | |
|--|---|---------------------------|
| 1. TOMACORRIENTE DE DESCARGA A TIERRA (GFCI) | 5. ENTRADA DE TUBERÍA | 9. PILETA DE SUMIDERO |
| 2. VÁLVULA DE RETENCIÓN | 6. TUBERÍA DE DESCARGA | 10. VÁSTAGO DEL FLOTADOR |
| 3. TUBO DE VENTILACIÓN | 7. BOMBA DE SUMIDERO | 11. GUÍA DEL FLOTADOR |
| 4. JUNTA/TAPA DE PILETA | 8. INTERRUPTOR (CONSULTE LA TABLA A, PÁGINA 19) | 12. BRAZO DEL INTERRUPTOR |

Figura 2: Bomba de pedestal



- | | | |
|--|---|---------------------------|
| 1. TOMACORRIENTE DE DESCARGA A TIERRA (GFCI) | 5. ENTRADA DE TUBERÍA | 9. PILETA DE SUMIDERO |
| 2. VÁLVULA DE RETENCIÓN | 6. TUBERÍA DE DESCARGA | 10. VÁSTAGO DEL FLOTADOR |
| 3. TUBO DE VENTILACIÓN | 7. BOMBA DE SUMIDERO | 11. GUÍA DEL FLOTADOR |
| 4. JUNTA/TAPA DE PILETA | 8. INTERRUPTOR (CONSULTE LA TABLA A, PÁGINA 19) | 12. BRAZO DEL INTERRUPTOR |

INSTALACIÓN TÍPICA DE SUMIDERO

- Esta instalación debe realizarse de acuerdo con los Códigos eléctricos nacionales y todos los códigos y ordenanzas locales aplicables.
- Use una pileta que es suficientemente grande para acomodar la bomba. Los requisitos mínimos para las bombas para sumidero son:

TABLA — A		A	B
Tipo de interruptor		Diámetro mínimo de la pileta	Altura mínima de la pileta
Bombas sumergibles	Interruptor de flotador de correa	35,56 cm (14 pulg.)	55,88 cm (22 pulg.)
	Interruptor de diafragma	27,94 cm (11 pulg.)	55,88 cm (22 pulg.)
	Interruptor de flotador vertical	27,94 cm (11 pulg.)	55,88 cm (22 pulg.)

TABLA — B		A	B
Tipo de interruptor		Diámetro mínimo de la pileta	Altura máxima de la pileta
Interruptor de flotador de pedestal (Figura 2, página 18)		35,56 cm (14 pulg.)	60,96 cm (24 pulg.)

- Limpie la pileta de todo residuo.
- De ser necesario, ensamble el interruptor o el flotador. Refiérase a **garantía y servicio hoja de repuestos** por instrucciones específicas.
- Coloque la bomba en una superficie firme y plana. No coloque la bomba directamente sobre arcilla, tierra, barro o arena. Puede instalarse un ladrillo o un bloque bajo la bomba para proporcionar una base sólida.
- Coloque la bomba de manera que el interruptor quede alejado de la entrada de agua y no quede expuesto al agua que ingresa. Verifique que el interruptor tenga al menos 2,54 cm (1 pulg.) libre de la pared lateral de la pileta y quede libre de moverse por todo su movimiento. Si se usa un dispositivo de control o flotador opcional, siga las instrucciones de montaje suministradas con el dispositivo o flotador.
- Instale la tubería de descarga según los códigos locales, regionales y estatales. Se recomienda tubería de PVC rígida.
- Si fuera necesario, taladre un agujero de drenaje de 3,2 mm (1/8 pulg.) en la tubería de descarga 2,5 cm (1 pulg.) encima de la descarga de la bomba. Es posible ver el flujo de agua del agujero cuando la bomba trabaja. El agujero debe limpiarse periódicamente.
- Instale una unión para facilitar el retiro de la bomba para limpieza o servicio.
- Instale una válvula de retención (requerida) para prevenir el reflujo. La válvula de retención puede colocarse justo encima de la pileta, para facilitar el retiro de la bomba para limpieza y servicio.
- Instale una válvula de compuerta o válvula de bola si es requerido por el código local, regional o estatal.
- Sujete el cable de suministro de energía a la tubería de descarga usando un cable o precintos para evitar posibles enredos del interruptor.
- Conecte el cable de suministro de energía de la bomba a un receptáculo de un interruptor de circuito de descarga a tierra (GFCI).
- Llene la pileta con agua. La bomba se enciende cuando el nivel del agua alcanza el nivel de encendido.
- La bomba se apaga cuando el nivel del agua alcanza el nivel de apagado.
- Verifique que el interruptor funcione sin ninguna obstrucción de la bomba, tubería y pileta.
- Llene otra vez la pileta con agua. Mientras la bomba está drenando la pileta, verifique que la tubería de descarga esté llevando el agua hacia un punto alejado al menos 91,4 cm (3 pies) de los cimientos. Si la tubería de descarga está expuesta a temperaturas de congelación, ésta debe estar colocada con una pendiente y alejándose de los cimientos para que toda agua restante escurra y no se congele.
- Asegure la tapa de la pileta y la junta a la pileta para impedir la caída de residuos en la pileta, evitar lesiones personales y para contener gases y olores.

AVISO

Esta bomba no está diseñada para bombear agua salada, salmuera, agua con detergentes, purificadores de agua, aguas negras, aguas no tratadas o cualquier otra aplicación que pudiese contener químicos cáusticos u otros aditivos. Podría producirse un daño en la bomba si se usa en estas aplicaciones, invalidando la garantía.

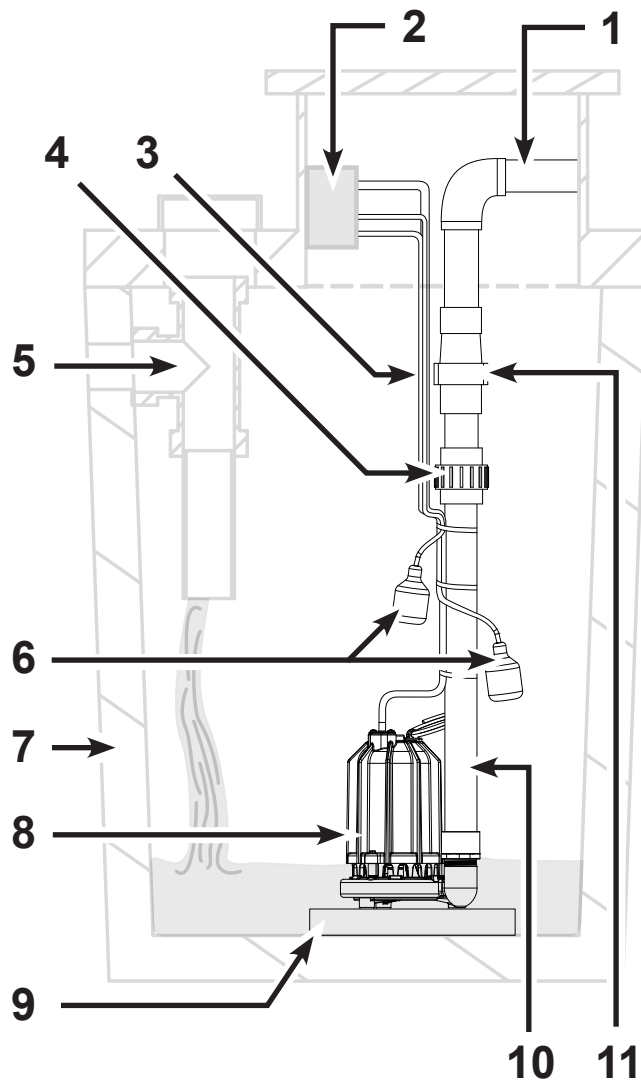
MANUAL DE INSTALACIÓN

INSTALACIÓN TÍPICA DE BOMBA DE AGUAS RESIDUALES

1. Esta instalación debe realizarse de acuerdo con los Códigos eléctricos nacionales y todos los códigos y ordenanzas locales aplicables.
2. Para aplicaciones de sumideros, siga las instrucciones de instalación típicas para sumideros. Para aplicaciones de aguas residuales, siga al paso 3.
3. Limpie la pileta de todo residuo (vea página 19).
4. Coloque la bomba en una superficie firme y plana. No coloque la bomba directamente sobre arcilla, tierra, barro o arena. Puede instalarse un ladrillo o un bloque bajo la bomba para proporcionar una base sólida.
5. Verifique que el interruptor de flotador tenga al menos 2,5 cm (1 pulg.) de espacio a la pared lateral de la pileta y quede libre de cualquier posible obstrucción.
6. Si se usa un dispositivo de control o flotador opcional, siga las instrucciones de montaje suministradas con el dispositivo o flotador.
7. Instale la tubería de descarga según los códigos locales, regionales y estatales. No reduzca el tamaño de la tubería de descarga por debajo de lo que se proporciona en la bomba.
8. Si fuera necesario, taladre un agujero de drenaje de 3,2 mm (1/8 pulg.) en la tubería de descarga 2,5 cm (1 pulg.) encima de la descarga de la bomba. Cuando la bomba trabaja es posible ver el flujo de agua del agujero. El agujero debe limpiarse periódicamente.
9. Instale una unión para facilitar el retiro de la bomba para limpieza y servicio.
10. Instale una válvula de retención (requerida) para prevenir el refluo. Debe instalarse encima de la unión.
11. Una válvula de compuerta o válvula de bola debe instalarse encima de la válvula de retención como requerido por los códigos locales, regionales o estatales.
12. Conecte la tubería de descarga restante. El resto de la tubería de descarga debe ser tan corto como sea posible y con un número mínimo de codos.
13. Sujete el cable de suministro de energía a la tubería de descarga usando un cable o precintos para evitar posibles enredos del interruptor.
14. Conecte el cable de suministro de energía de la bomba a un receptáculo de un interruptor de circuito de descarga a tierra (GFCI).
15. Llene la pileta con agua. La bomba se enciende cuando el nivel del agua alcanza el nivel de encendido. Compruebe que la bomba funcione normalmente. Si la tubería de descarga está expuesta a temperaturas de congelación, ésta debe estar colocada con una pendiente y alejándose de los cimientos para que toda agua restante escurra y no se congele.

16. Asegure la tapa de la pileta y la junta a la pileta para impedir la caída de residuos en la pileta, evitar lesiones personales y para contener gases y olores.

Figura 3: Bomba de aguas residuales en fosa séptica



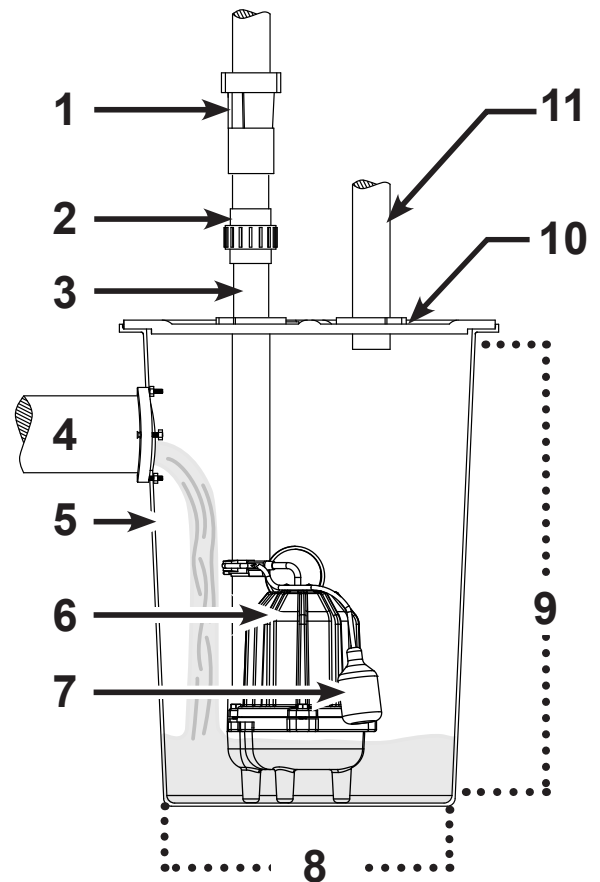
- | | |
|--|------------------------------|
| 1. Tubo de descarga | 7. Fosa séptica |
| 2. Caja de conexiones | 8. Bomba de aguas residuales |
| 3. Cables de bomba/interruptor | 9. Ladrillo o bloque |
| 4. Unión | 10. Tubería de descarga |
| 5. Tubo de entrada de aguas residuales | 11. Válvula de retención |
| 6. Interruptores | 12. Tapa del tanque |

INSTALACIÓN TÍPICA DE BOMBA DE AGUAS CLOACALES

- Esta instalación debe realizarse de acuerdo con los Códigos eléctricos nacionales y todos los códigos y ordenanzas locales aplicables.
- Para aplicaciones de sumideros, siga las instrucciones de instalación típicas para sumideros (página 19). Para aplicaciones de aguas residuales, siga las instrucciones de instalación típicas para aguas residuales (página 20). Para aplicaciones de alcantarillado, avance al paso 3.
- Use una pileta que es suficientemente grande para acomodar la bomba. El diámetro de la pileta debe ser mínimo 45,72 cm (18 pulg.) y la profundidad mínimo 60,96 cm (24 pulg.).
- Limpe la pileta de todo residuo.
- Coloque la bomba en una superficie firme y plana. No coloque la bomba directamente sobre arcilla, tierra, barro o arena. Puede instalarse un ladrillo o un bloque bajo la bomba para proporcionar una base sólida.
- Coloque la bomba en la pileta de manera que el interruptor quede alejado de la entrada de agua. Verifique que el interruptor de flotador tenga al menos 2,5 cm (1 pulg.) de espacio a la pared lateral de la pileta y quede libre de cualquier posible obstrucción.
- Instale la tubería de descarga según los códigos locales, regionales y estatales. No reduzca el tamaño de la tubería de descarga por debajo de lo que se proporciona en la bomba.
- Si fuera necesario, taladre un agujero de drenaje de 3,2 mm (1/8 pulg.) en la tubería de descarga 2,5 cm (1 pulg.) encima de la descarga de la bomba. Cuando la bomba trabaja es posible ver el flujo de agua de este agujero. El agujero debe limpiarse periódicamente.
- Si se usa un dispositivo de control o flotador opcional, siga las instrucciones de montaje suministradas con el dispositivo o flotador.
- Debe instalarse una unión arriba de la pileta para facilitar el retiro de la bomba para limpieza y servicio.
- Instale una válvula de retención (requerida) para prevenir el refluo. Debe instalarse encima de la unión.
- Una válvula de compuerta o válvula de bola debe instalarse encima de la válvula de retención como requerido por los códigos locales, regionales o estatales.
- Conecte la tubería de descarga restante. El resto de la tubería de descarga debe ser tan corto como sea posible y con un número mínimo de codos.
- Se requiere un tubo de ventilación. Quita gases y olores y debe instalarse como requerido por códigos locales, regionales o estatales.
- Sujete el cable de suministro de energía a la tubería de descarga usando un cable o precintos para evitar posibles enredos del interruptor.

- Conecte el cable eléctrico de la bomba a un tomacorriente adecuadamente conectado a tierra
- Llene la pileta con agua. La bomba se enciende cuando el nivel del agua alcanza el nivel de encendido. Compruebe que la bomba funcione normalmente.
- Instale la tapa de la pileta y la junta para impedir la caída de residuos en la pileta, evitar lesiones personales y para contener gases y olores.

Figura 7: Bombas sumergibles para aguas cloacales



- | | |
|-------------------------|---|
| 1. Válvula de retención | 7. Interruptor |
| 2. Unión | 8. Diámetro mínimo 45,72 cm (18 pulg.) |
| 3. Tubería de descarga | 9. Profundidad mínima 60,96 cm (24 pulg.) |
| 4. Tubería de entrada | 10. Junta/tapa de pileta |
| 5. Pileta | 11. Tubo de ventilación |
| 6. Bomba | |

MANUAL DE INSTALACIÓN

MANTENIMIENTO

ADVERTENCIA

SIEMPRE DESCONECTE LA BOMBA DE LA FUENTE DE ENERGÍA antes de la instalación, revisión o de hacer cualquier ajuste.

ADVERTENCIA

DEJE QUE LA BOMBA SE ENFRÍE DURANTE AL MENOS 2 HORAS ANTES DE INTENTAR REALIZAR UN SERVICIO.

Las bombas sumergibles contienen un aceite que se calienta y está bajo presión en condiciones normales de funcionamiento.

1. Los modelos de bomba sumergible tienen rodamientos con lubricación permanente y no requieren ninguna lubricación adicional.
2. La bomba debe ser inspeccionada 3-4 veces por año para el movimiento de la bomba o la acumulación de residuos en el interruptor o flotador. Vuelva a colocar la bomba si se ha movido. Retire cualquier residuo que pueda interferir con el funcionamiento del interruptor.

3. Los modelos de bomba para sumidero de pedestal tienen motores abiertos y expuestos. Asegúrese que el motor no se moje.

ADVERTENCIA

NO SUMERJA EL MOTOR DE PEDESTAL ni permita que el motor quede expuesto al agua.

4. La bomba sumergible puede contener aceite dieléctrico para su enfriamiento. El aceite dieléctrico puede ser dañino para el medio ambiente. Respete las leyes ambientales estatales cuando deseche el aceite.
5. El motor de la bomba está equipado con un protector térmico automático y puede activarse repentinamente. El accionamiento del protector indica una sobrecarga del motor debido a que la bomba está funcionando con cargas bajas (baja restricción de descarga), voltajes excesivamente altos o bajos, un cableado inadecuado, condiciones incorrectas del motor, o un motor o bomba defectuosos.

ADVERTENCIA

NO USE UN CABLE DE EXTENSIÓN. Los cables de extensión pueden presentar un peligro para la seguridad si la talla no es apropiada, pueden dañarse o la conexión puede caer en el sumidero. Si el tomacorriente no está dentro del alcance del cable eléctrico de la bomba, póngase en contacto con un electricista autorizado y calificado para instalar un tomacorriente adicional.

DIAGNÓSTICO Y RESOLUCIÓN DE PROBLEMAS

Síntomas	Causa(s) posible(s)	Remedios sugeridos
La bomba no enciende o no funciona	<ol style="list-style-type: none">1. Nivel de agua demasiado bajo2. Fusible quemado o disyuntor disparado3. Bajo voltaje de circuito4. Motor5. Interruptor6. Rejilla de entrada obstruida7. Obstrucción del interruptor	<ol style="list-style-type: none">1. El agua debe estar al nivel apropiado para activar el interruptor2. Si está quemado, determine la causa y cámbielo por un fusible del tamaño correcto o reajuste el disyuntor3. Póngase en contacto con un electricista4. Reemplace la bomba5. Cambie el interruptor6. Quite los desechos7. Quite la obstrucción para asegurar el libre movimiento del interruptor
La bomba se prende y se detiene con demasiada frecuencia	<ol style="list-style-type: none">1. Reflujo de agua desde la tubería2. Interruptor defectuoso3. La válvula de retención no funciona correctamente o pierde	<ol style="list-style-type: none">1. Instale la válvula de retención2. Cambie el interruptor3. Retire y examine la válvula de retención para la correcta instalación y funcionamiento libre. Cambie la válvula de retención si fuera necesario

DIAGNÓSTICO Y RESOLUCIÓN DE PROBLEMAS (CONTINÚA)

<i>Síntomas</i>	<i>Causa(s) posible(s)</i>	<i>Remedios sugeridos</i>
La bomba se apaga y se enciende independientemente del interruptor (acciona la protección térmica de sobrecarga)	<ol style="list-style-type: none"> 1. Temperatura del agua demasiado alta 2. Obstrucción del interruptor 3. Obstrucción del interruptor 4. Hay una obstrucción en la tubería de descarga 5. Bajo voltaje de circuito 	<ol style="list-style-type: none"> 1. No se debe usar la bomba con agua por encima de los 48,89°C (120°F) 2. Reemplace el interruptor 3. Quite la obstrucción para asegurar el libre movimiento del interruptor 4. Quite la obstrucción de la tubería de descarga 5. Póngase en contacto con un electricista.
La bomba hace ruido o vibra en exceso	<ol style="list-style-type: none"> 1. Rodamientos desgastados 2. Impulsor obstruido o roto 3. Las conexiones de la tubería a la estructura del edificio son demasiado rígidas o demasiado sueltas 	<ol style="list-style-type: none"> 1. Reemplace la bomba 2. En donde corresponda, quite la rejilla y el espiral, limpie y/o reemplace el impulsor 3. Quite la rejilla y el espiral, limpie y/o reemplace el impulsor
La bomba no se apaga	<ol style="list-style-type: none"> 1. Interruptor defectuoso 2. Obstrucción del interruptor 3. Descarga restringida (obstrucción en la tubería) 4. Demasiado flujo de entrada o la bomba no es del tamaño adecuado para la aplicación 	<ol style="list-style-type: none"> 1. Reemplace el interruptor 2. Quite la obstrucción para asegurar el libre movimiento del interruptor 3. Quite la obstrucción de la tubería de descarga 4. Vuelva a calcular las dimensiones para determinar el tamaño adecuado de la bomba
La bomba funciona pero sale muy poca agua o nada	<ol style="list-style-type: none"> 1. Bajo voltaje del circuito 2. Rejilla de entrada obstruida 3. Impulsor roto o desechos en la cavidad del impulsor 4. La bomba gira al revés 5. La bomba no tiene el tamaño necesario para la aplicación 6. Válvula de retención cerrada o instalada al revés 7. Válvula de cierre cerrada 	<ol style="list-style-type: none"> 1. Póngase en contacto con un electricista 2. Quite los desechos 3. Quite la rejilla y el espiral, limpie y/o reemplace el impulsor 4. Verifique la rotación. (Antihoraria desde abajo.) Devuélvala si es horaria 5. Vuelva a calcular las dimensiones para determinar el tamaño adecuado de la bomba 6. Retire y examine la válvula de retención para la correcta instalación y funcionamiento libre 7. Abra la válvula

MANUAL DE INSTALACIÓN

MANTENIMIENTO DE RUTINA DEL SUMIDERO

Le recomendamos que revise su bomba de sumidero al menos una vez por año para controlar el correcto funcionamiento.

- Asegúrese de que la bomba esté enchufada a un tomacorriente con interruptor de circuito de descarga a tierra (GFCI) en funcionamiento y que el cable esté en buenas condiciones. En zonas húmedas, los disyuntores GFCI podrían accionarse, apagando efectivamente la bomba de sumidero. Revise su bomba de sumidero y reconfigure el GFCI si fuera necesario.
- Asegúrese de que la bomba misma esté en posición vertical. Las vibraciones durante la operación pueden hacer que se caiga o se incline hacia un lado. Esto podría obstruir el brazo flotador de modo tal que no pudiera activar la bomba.
- ierta un balde de agua en el pozo y asegúrese de que la bomba arranque automáticamente y el agua se drene rápidamente una vez que la bomba esté encendida. Si la bomba no arranca, hágala reparar o cámbiela.
- Revise la rejilla de entrada y quite las piedritas o residuos que pueda haber.

NOTAS
