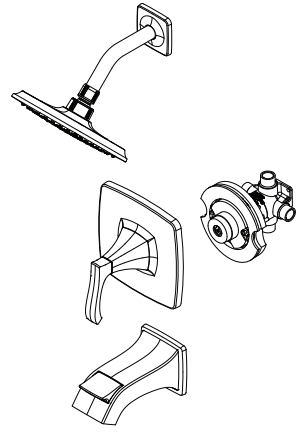


8P8-WS2-VNSC Finish(C)
8P8-WS2-VNSY Finish(Y)



Specifications

Features

- 1.8 GPM Flow Rate
- Raincan Showerhead
- SecurePfit™
- Includes OX8 Valve
- Unique Ribbon Waterflow Delivery Spout
- Pressure Balanced
- Temperature Control
- Pforever Seal Ceramic Disc Valve
- Pforever Warranty®

Code Compliance

Pfister products are designed and manufactured in compliance with the following standards and codes:

- IAPMO Certified
- CSA B125 Certified
- ASME A112.18.1
- ASSE 1016
- Cal Green Compliant
- CEC Compliant
- EPA WaterSense Certification 1.8 gpm, 6.8L/Min
- ADA Compliant-ANSI A117.1 (Lever handles only)



Dimensions

