

### Features

- Metal construction.
- Brass valve bodies.
- Quarter-turn washerless ceramic disc valves.
- For 4" (102 mm) centers.
- 4-1/2" (114 mm) spout reach.
- ADA compliant lever handles.
- Pop-up drain with lift rod and tailpiece.
- 1.5 gal/min (5.7 l/min) maximum flow rate [max at 60 psi (4.14 bar)].



For complete listing of available colors, go to [kohler.com](http://kohler.com).



### Codes/Standards

ASME A112.18.1/CSA B125.1

NSF 61

NSF 372

ADA

ICC/ANSI A117.1

DOE - Energy Policy Act 1992

EPA WaterSense®

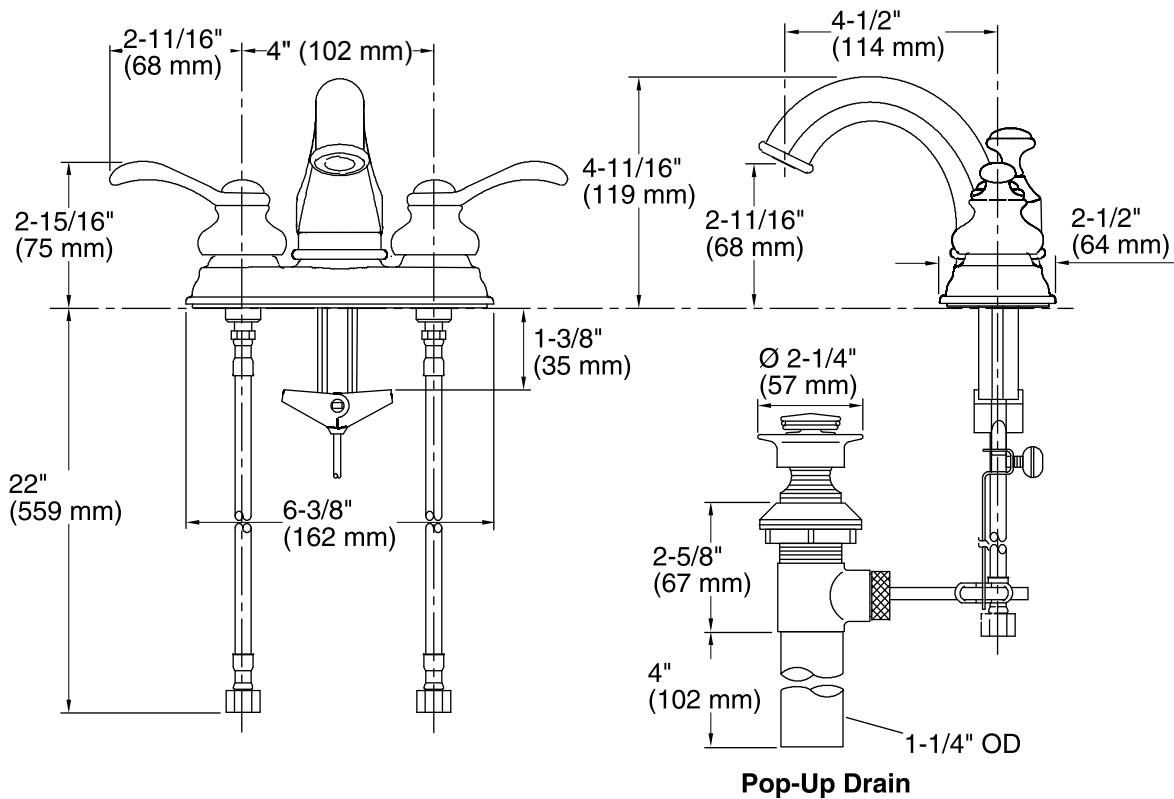
All applicable US Federal and State material regulations

### KOHLER® Faucet Lifetime Limited Warranty

See website for detailed warranty information.

### Product Specification

Bathroom sink faucet shall be 4-1/2" (114 mm) spout reach and 2-11/16" (68 mm) spout outlet height. Bathroom sink faucet shall be brass construction with brass valve bodies and a cast brass waterway. Bathroom sink faucet shall be lever handles. Bathroom sink faucet shall be pop-up drain with and tailpiece. Bathroom sink faucet shall be for 4" (102 mm) centers. Bathroom sink faucet shall be KOHLER Model K-12266-4.



### Technical Information

All measurements are nominal.

Spout reach: 4-1/2" (114 mm)

Drain included: YES

Drain tailpiece included: YES

#### Faucet:

Flow rate: 1.5 gal/min (5.7 l/min)

Pressure: 60 psi (4.1 bar)

### Installation Notes

Install this product according to the installation guide.

ADA compliant when installed to the specific requirements of these regulations.